

321277-1 ✓ ACTIVE

SOLISTRAND

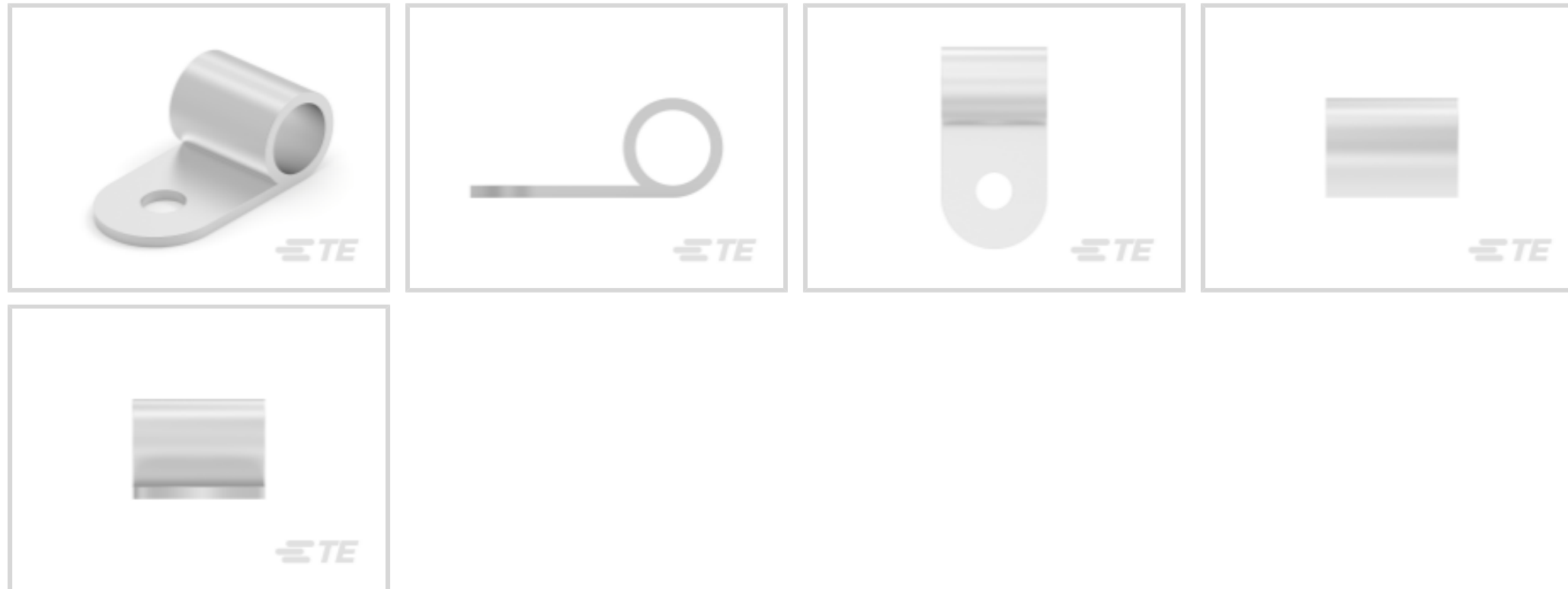
TE Internal #: 321277-1

Ring Terminals & Spade Terminals, Ring Tongue, 0000 AWG Wire Size, 98.3 – 117 mm² Wire Size, 190000 – 231100 CMA Wire Size, Stud Size 3/8

[View on TE.com >](#)



Terminals & Splices > Ring Terminals & Spade Terminals



Ring & Spade Terminal Type: **Ring Tongue**

Wire Size: 190000 – 231100 CMA

Stud Size: 3/8

Features

Product Type Features

Shape Description	RING-090
Stud Size	3/8
Sealable	No
Wire Insulation Support Retention Type	Non-Insulation Support

Configuration Features

Number of Holes	1
Terminal Angle	180 °

Body Features

Weight per Piece	78.982 g
------------------	----------

Contact Features

Ring & Spade Terminal Type	Ring Tongue
Barrel Type	Closed
Terminal Orientation	Offset
Terminal Plating Material	Tin

Mechanical Attachment



Wire Insulation Support	Without
-------------------------	---------

Dimensions

Wire Size	190000 – 231100 CMA
Stud Diameter	9.53 mm, 9.91 mm [.39 in]
Tongue Thickness	.79 mm [.031 in]
Overall Product Length	54.13 mm [2.131 in]
Barrel Inside Diameter	16.13 mm [.635 in]

Usage Conditions

Insulation Option	Uninsulated
Operating Temperature Range	170 °C [338 °F]

Operation/Application

Compatible With Wire Base Material	Copper
Compatible With Wire Plating Material	Tin
Heavy Duty	No

Industry Standards

Government Qualified	No
----------------------	----

Packaging Features

Packaging Quantity	50
Packaging Method	Box

Product Compliance

[For compliance documentation, visit the product page on TE.com>](#)

EU RoHS Directive 2011/65/EU	Compliant
EU ELV Directive 2000/53/EC	Compliant
China RoHS 2 Directive MIIT Order No 32, 2016	No Restricted Materials Above Threshold
EU REACH Regulation (EC) No. 1907/2006	Current ECHA Candidate List: JUNE 2022 (224) Candidate List Declared Against: JAN 2022 (223) SVHC > Threshold: Not Yet Reviewed
Halogen Content	Low Halogen - Br, Cl, F, I < 900 ppm per homogenous material. Also BFR/CFR/PVC Free
Solder Process Capability	Not applicable for solder process capability

Product Compliance Disclaimer

This information is provided based on reasonable inquiry of our suppliers and represents our current actual knowledge based on the information they provided. This information is subject to change. The part numbers that TE has identified as EU RoHS compliant have a maximum concentration of 0.1% by weight in homogenous materials for lead, hexavalent chromium, mercury, PBB, PBDE, DBP, BBP, DEHP, DIBP, and 0.01% for cadmium, or qualify for an exemption to these limits as defined in the Annexes of Directive 2011/65/EU (RoHS2). Finished electrical and electronic equipment products will be CE marked as required by Directive 2011/65/EU. Components may not be CE marked. Additionally, the part numbers that TE has identified as EU ELV compliant have a maximum concentration of 0.1% by weight in homogenous materials for lead, hexavalent chromium, and mercury, and 0.01% for cadmium, or qualify for an exemption to these limits as defined in the Annexes of Directive 2000/53/EC (ELV). Regarding the REACH Regulation, the information TE provides on SVHC in articles for this part number is based on the latest European Chemicals Agency (ECHA) 'Guidance on requirements for substances in articles' posted at this URL: <https://echa.europa.eu/guidance-documents/guidance-on-reach>

Compatible Parts



TE Part # 1752680-1
HYP10 SOLIS FLAG 4/0AWG NEST

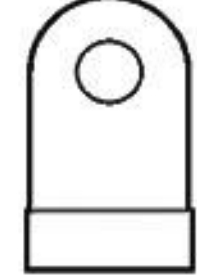


TE Part # 1752681-1
HYP10 SOLIS FLAG 1/0-4/0AWG INDENTER

Customers Also Bought



TE Part # 1393212-2
T92S7A22-120



TE Part # 321066
TERMINAL, SOLIS FLAG R 1/0 3/8



TE Part # 35184
TERMINAL, SOLIS R 2 3/8



TE Part # 35183
TERMINAL, SOLIS R 2 5/16



TE Part # 36917
TERMINAL, SOLIS R 1/0 3/8



TE Part # 321271
TERMINAL, SOLIS R 4/0 5/16



TE Part # 321878
TERMINAL, SOLIS R 4/0 3/8



TE Part # 321871
BODY SOLIS RING 2/0 3/8



Documents

Product Drawings

[TERMINAL,SOLIS FLAG R 4/0 3/8](#)

English

CAD Files

Customer View Model

[ENG_CVM_CVM_321277-1_G.2d_dxf.zip](#)

English

[3D PDF](#)

3D

Customer View Model

[ENG_CVM_CVM_321277-1_G.3d_igs.zip](#)

English

Customer View Model

[ENG_CVM_CVM_321277-1_G.3d_stp.zip](#)

English

By downloading the CAD file I accept and agree to the [Terms and Conditions](#) of use.

Agency Approvals

[UL Report](#)

English