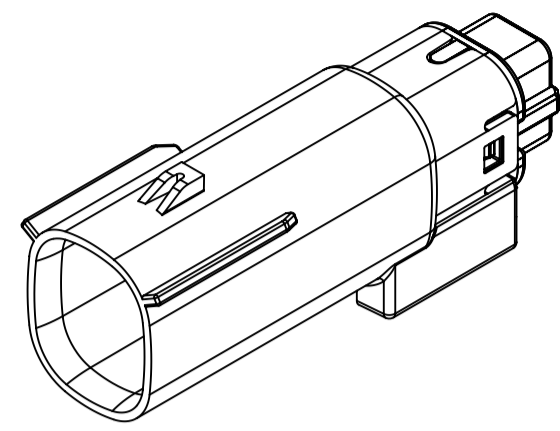
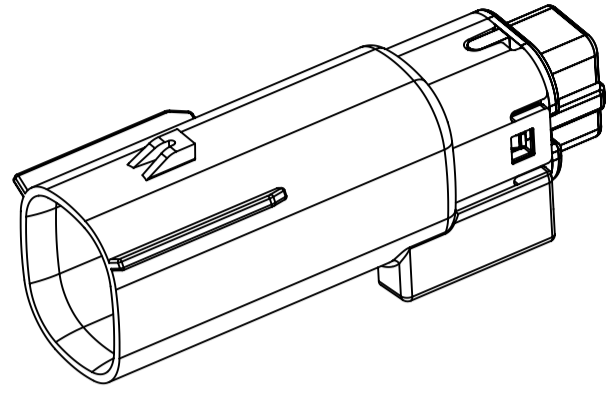


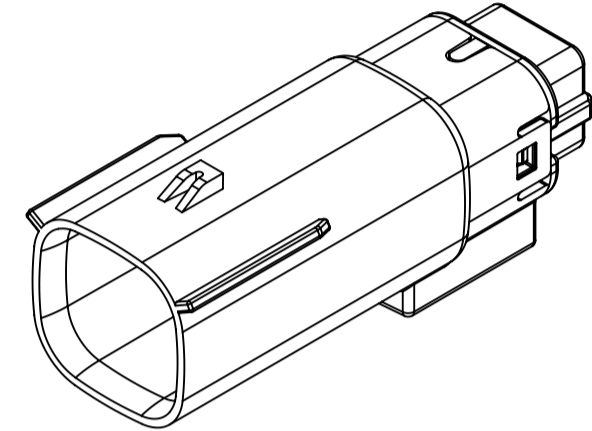
SHEET DESCRIPTION
CONFIGURATIONS



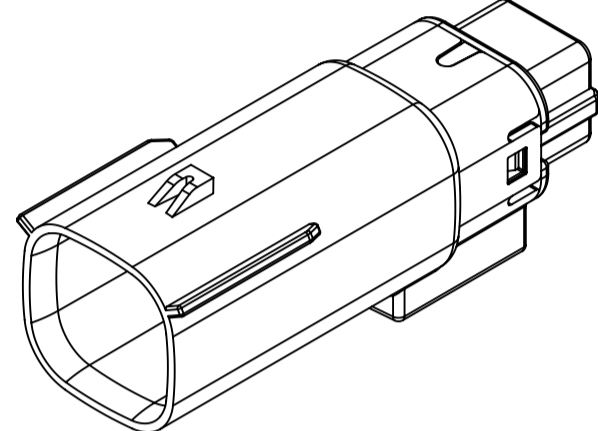
2X2 - STANDARD (STD)



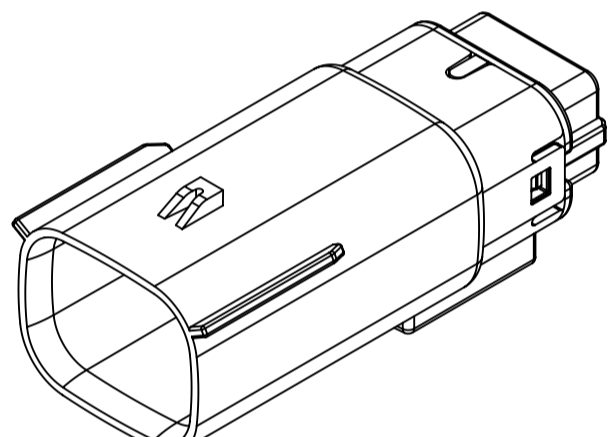
2X2 - UL V0*



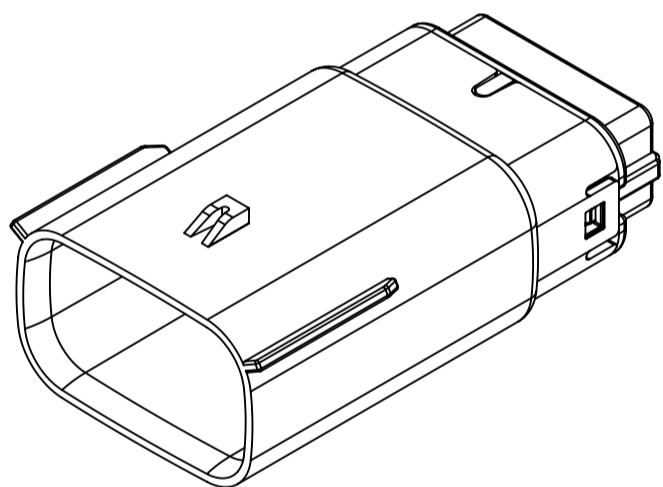
2X3 - STANDARD (STD)



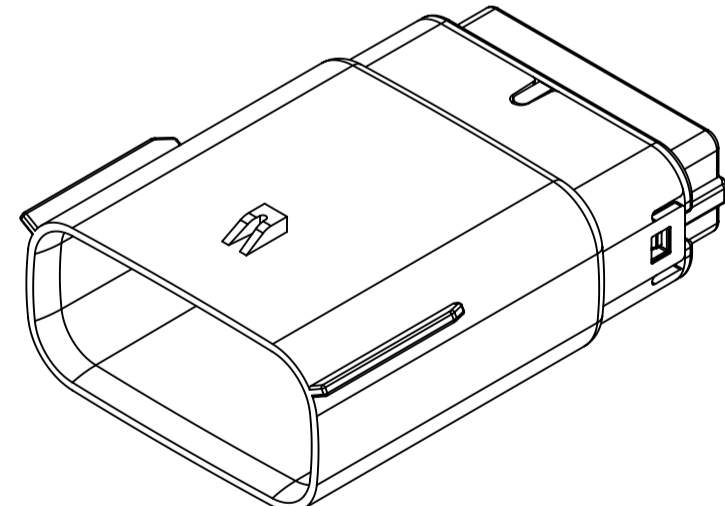
2X3 - LENGTHENED



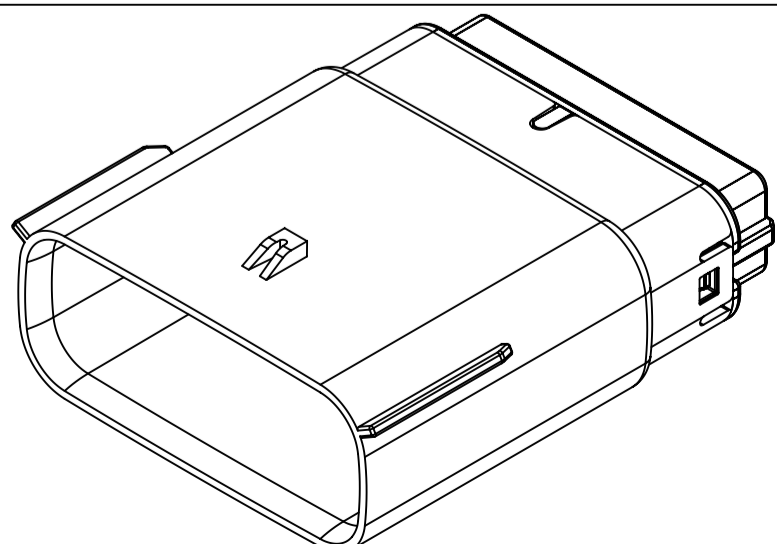
2X4 - STANDARD (STD)



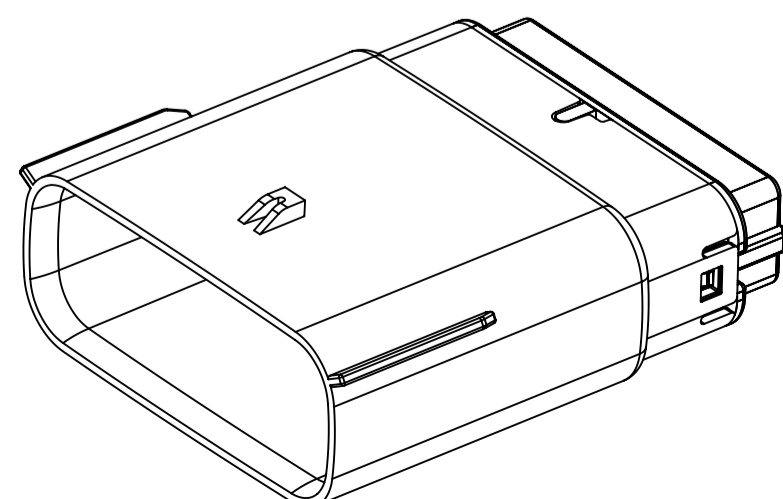
2X6 - STANDARD (STD)



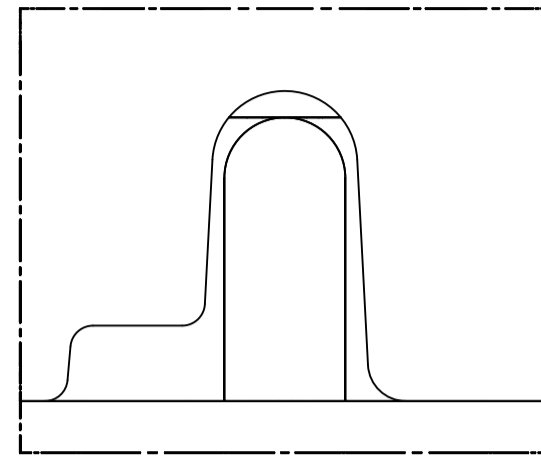
2X8 - STANDARD (STD)



2X10 - STANDARD (STD)



2X10 - UL V0*



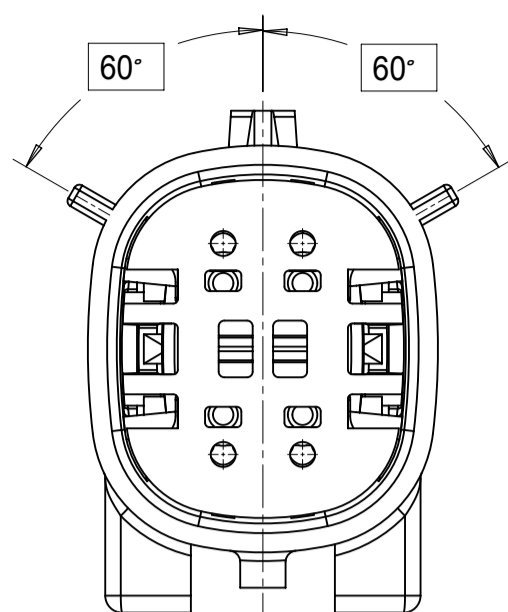
UL V0 UNIQUE FEATURE
Partial1
SCALE 10:1

* MINOR GEOMETRY CHANGE THAN STANDARD CONFIGURATION.
SEE NOTE 2a FOR MORE INFORMATION

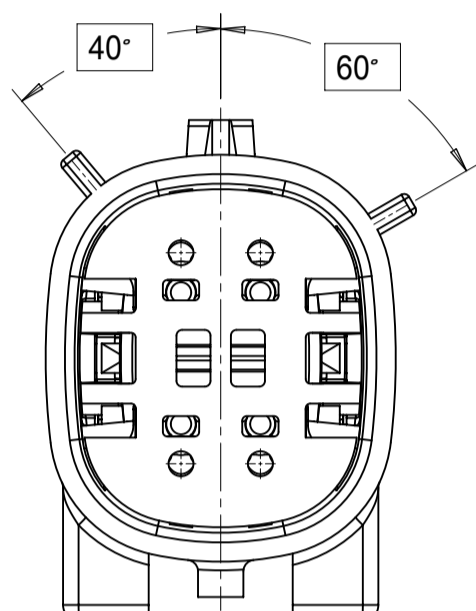
SYMBOLS	THIS DRAWING CONTAINS INFORMATION THAT IS PROPRIETARY TO MOLEX ELECTRONIC TECHNOLOGIES, LLC AND SHOULD NOT BE USED WITHOUT WRITTEN PERMISSION		CURRENT REV DESC:				
	DIMENSION UNITS	SCALE					
▽ = 0	mm	1.5:1	GENERAL TOLERANCES (UNLESS SPECIFIED)		INITIAL REVISION:		
▽ = 0	ANGULAR TOL ± 1.0°		4 PLACES ±		DRWN: APROFFITT 2014/04/28		
▽ = 0	3 PLACES ±		2 PLACES ± 0.1		APPR: VKOSHY 2014/05/14		
▽ = 0	1 PLACE ± 0.2		0 PLACES ±		DRAFT WHERE APPLICABLE MUST REMAIN WITHIN DIMENSIONS		
▽ = 0	THIRD ANGLE PROJECTION		DRAWING		SERIES		
▽ = 0	A1-SIZE		33482		MATERIAL NUMBER		
					CUSTOMER		SHEET NUMBER
					GENERAL MARKET		2 OF 11

SHEET DESCRIPTION
KEY CONFIGURATIONS

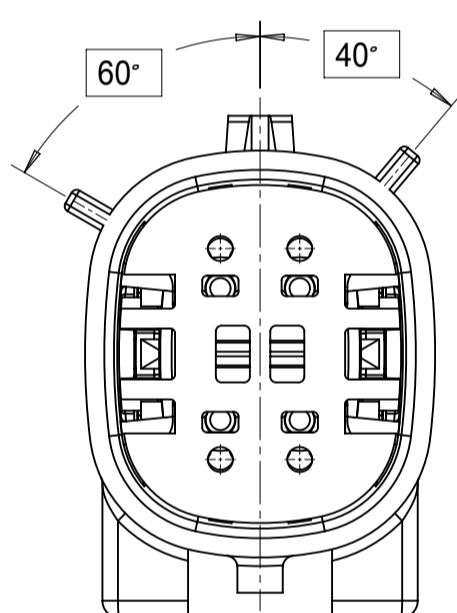
2X2



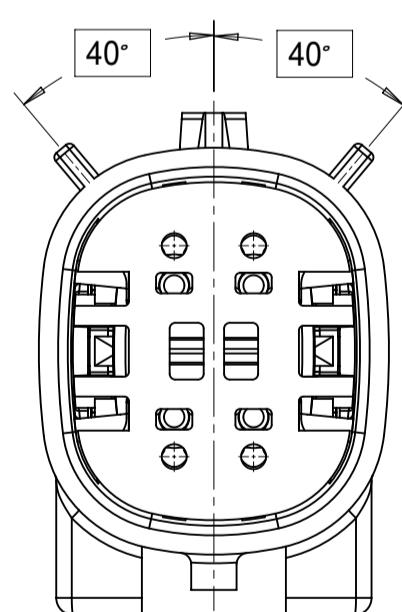
KEY A



KEY B

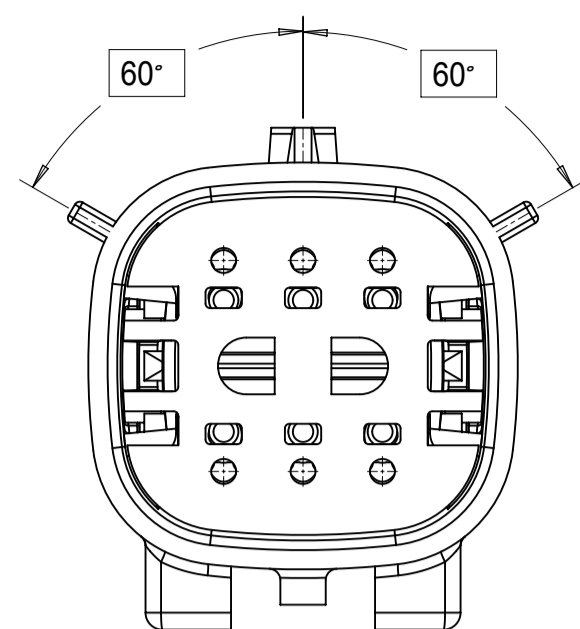


KEY C

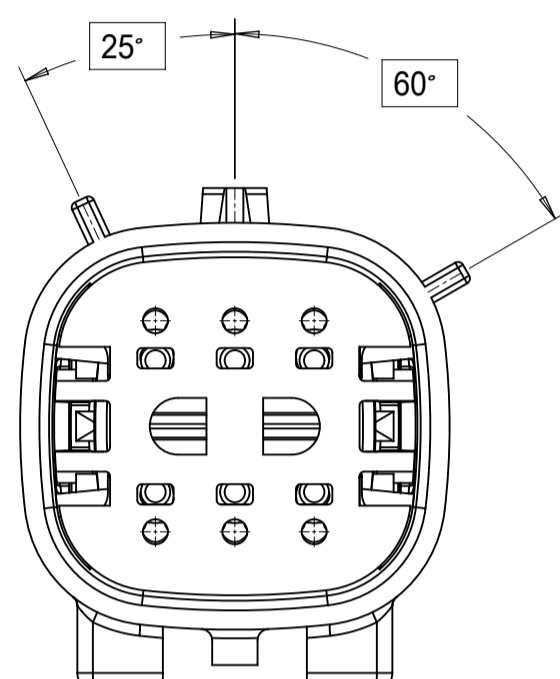


KEY D

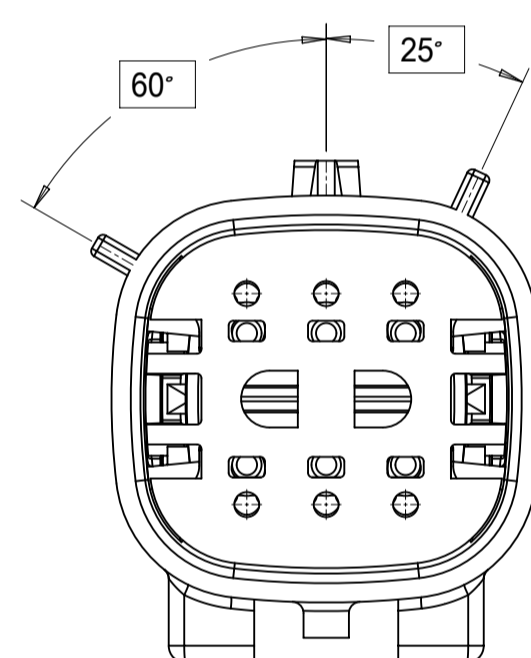
2X3



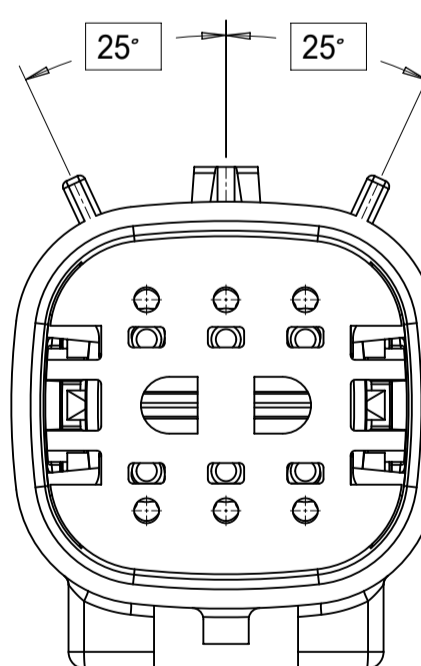
KEY A



KEY B

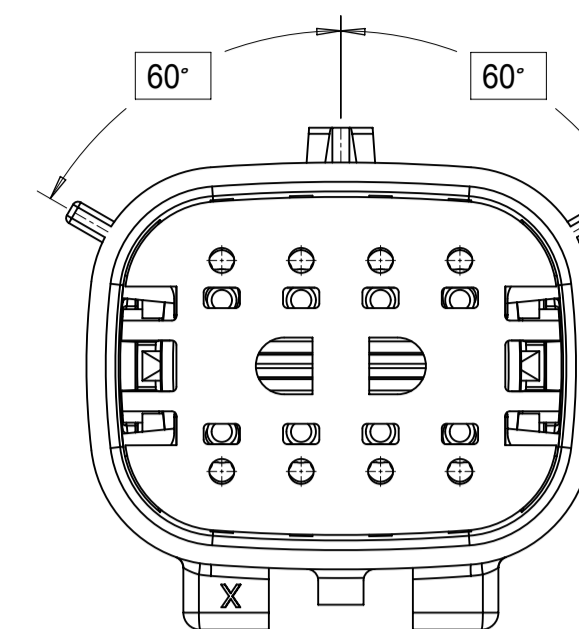


KEY C

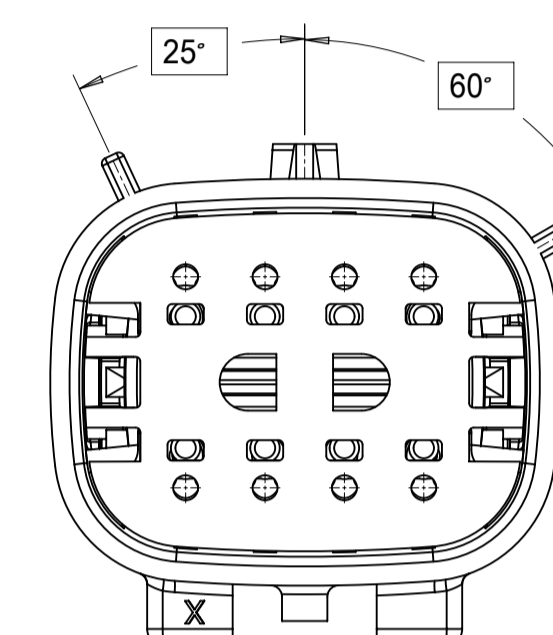


KEY D

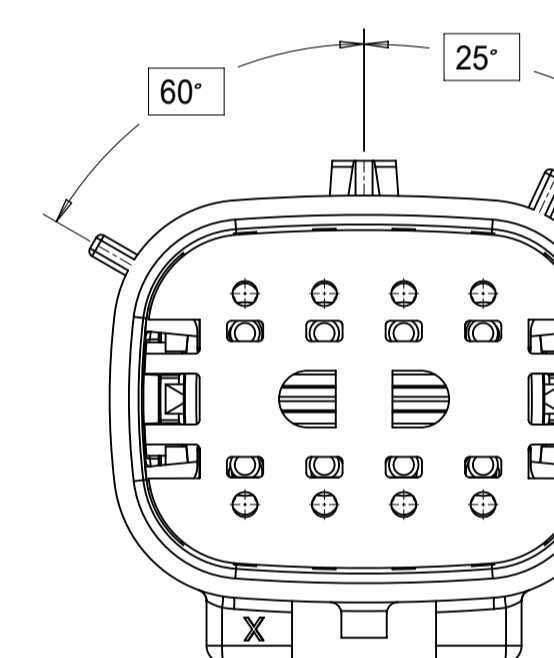
2X4



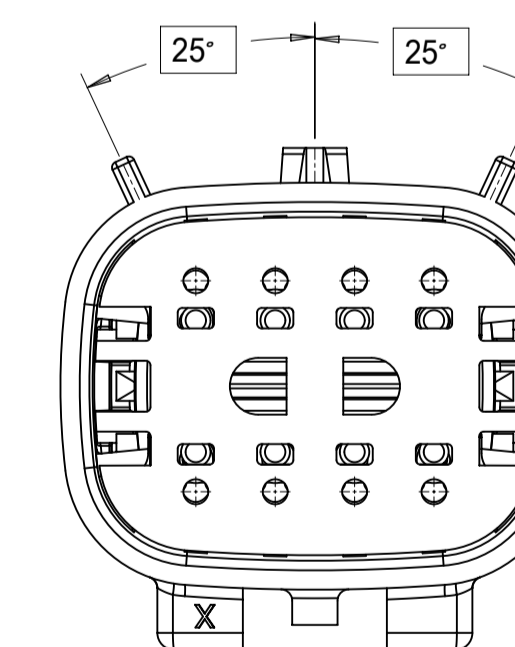
KEY A



KEY B



KEY C



KEY D

THIS DRAWING CONTAINS INFORMATION THAT IS PROPRIETARY TO MOLEX ELECTRONIC TECHNOLOGIES, LLC AND SHOULD NOT BE USED WITHOUT WRITTEN PERMISSION

SYMBOLS	DIMENSION UNITS	SCALE
	mm	3:1
	GENERAL TOLERANCES (UNLESS SPECIFIED)	
	ANGULAR TOL ± 1.0°	
	4 PLACES ±	
	3 PLACES ±	
	2 PLACES ± 0.1	
	1 PLACE ± 0.2	
	0 PLACES ±	
	DRAFT WHERE APPLICABLE MUST REMAIN WITHIN DIMENSIONS	
	THIRD ANGLE PROJECTION	DRAWING
	A1-SIZE	SERIES
	33482	

CURRENT REV DESC:

EC NO: 171650
 DRWN: PMANJUNATHAC 2018/01/03
 CHK'D: MVANSLAMBROU 2018/02/16
 APPR: MVANSLAMBROU 2018/02/16

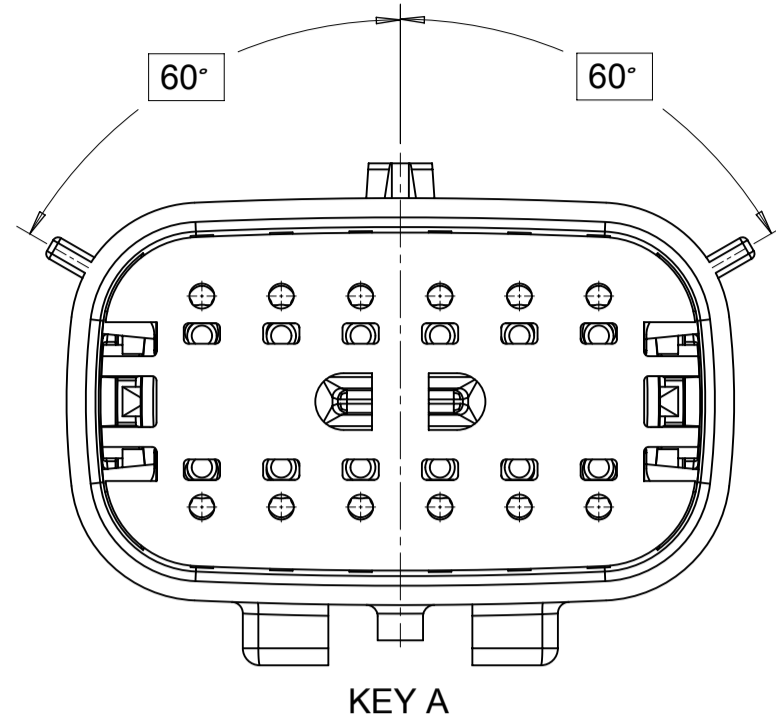
INITIAL REVISION:

DRWN: APROFFITT 2014/04/28
 2014/05/14
 APPR: VKOSHY

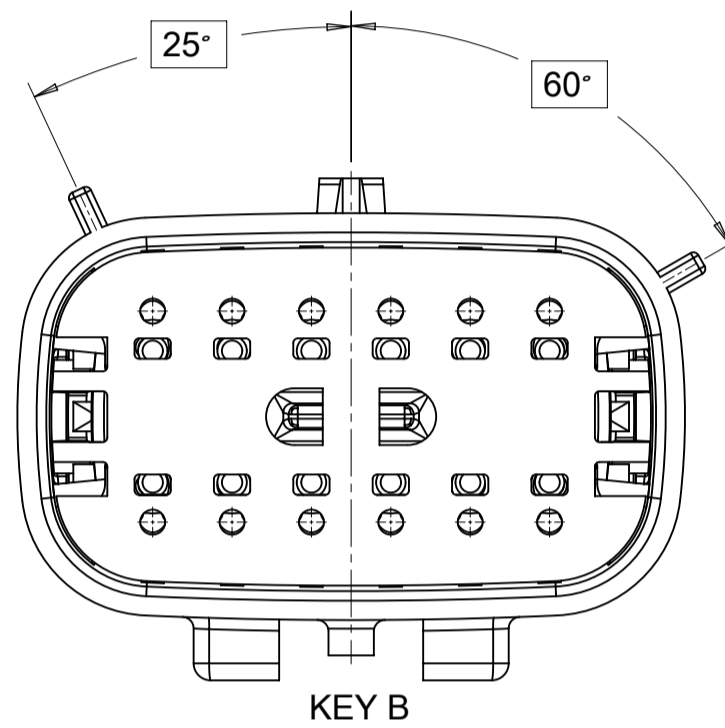
molex		
MX150 BLADE DUAL ROW SEALED ASSEMBLY MAT SEAL		
PRODUCT CUSTOMER DRAWING		
DOCUMENT NUMBER	DOC TYPE	DOC PART
SD-33482-0001	PSD	001
MATERIAL NUMBER	CUSTOMER	SHEET NUMBER
	GENERAL MARKET	3 OF 11

SHEET DESCRIPTION
KEY CONFIGURATIONS CONT.

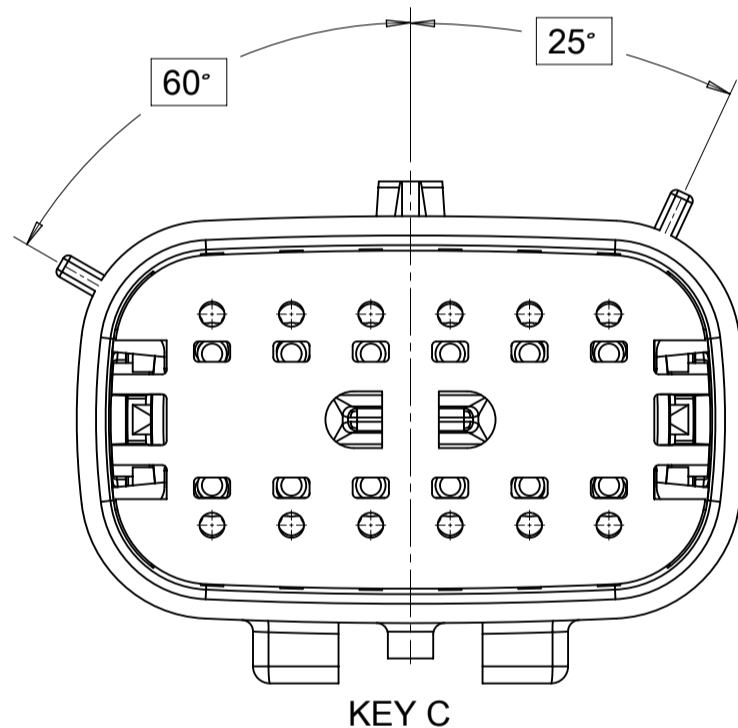
2X6



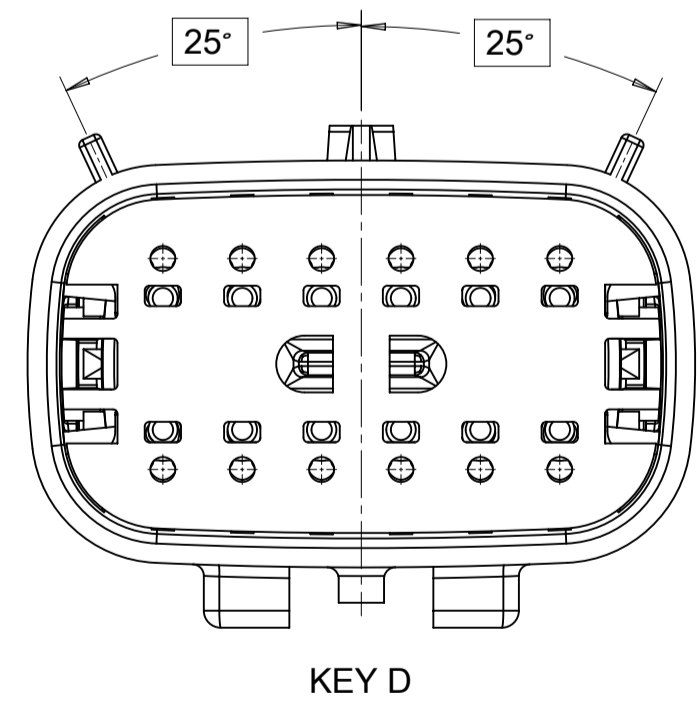
KEY A



KEY B

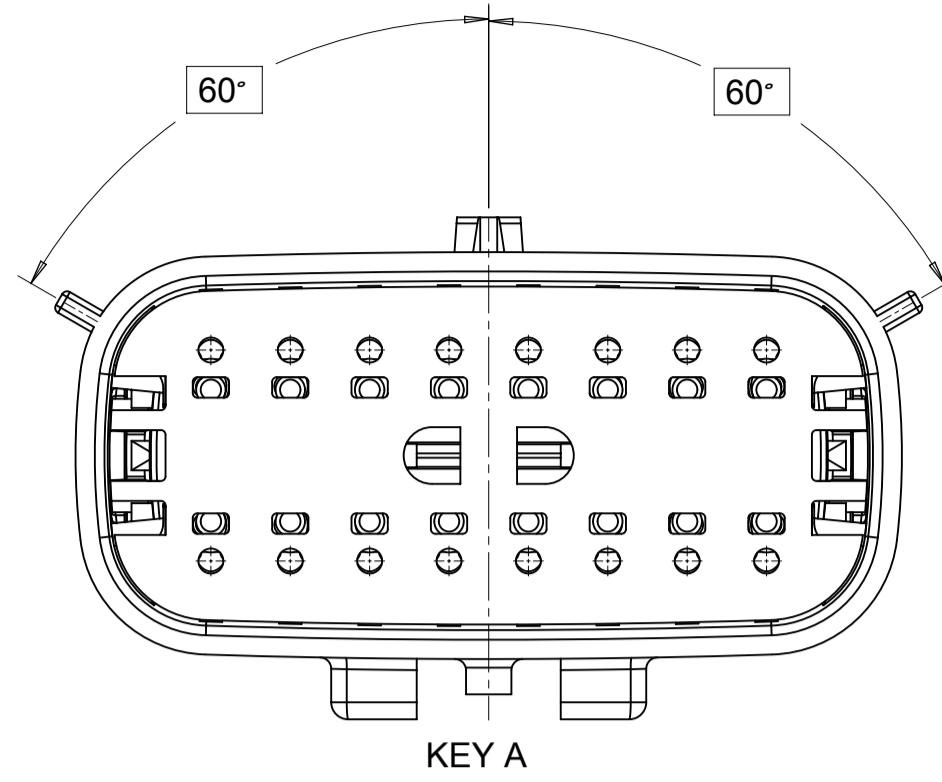


KEY C

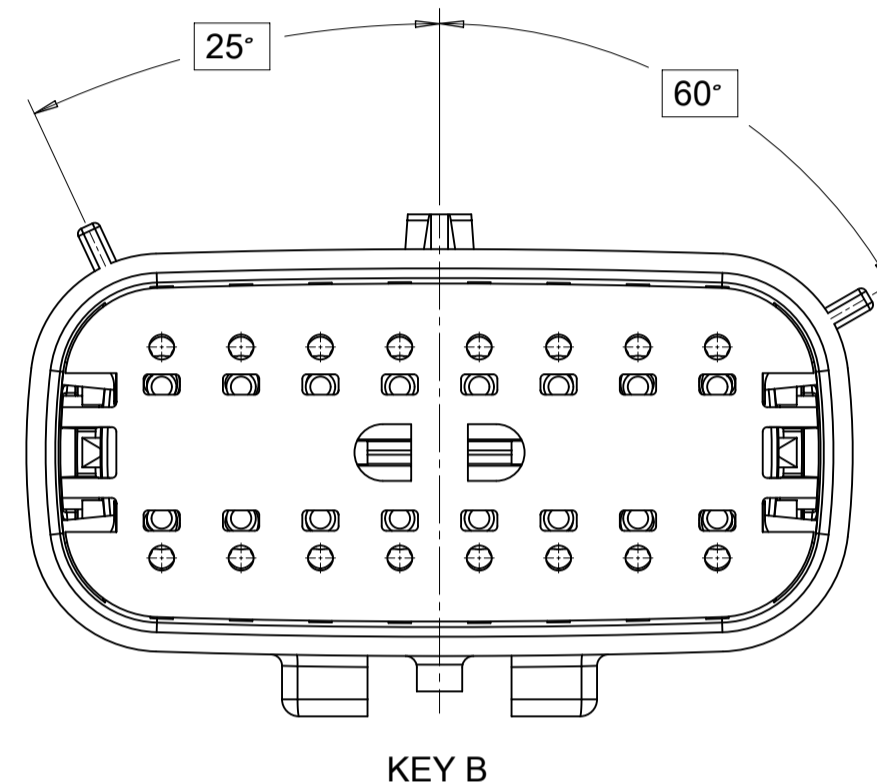


KEY D

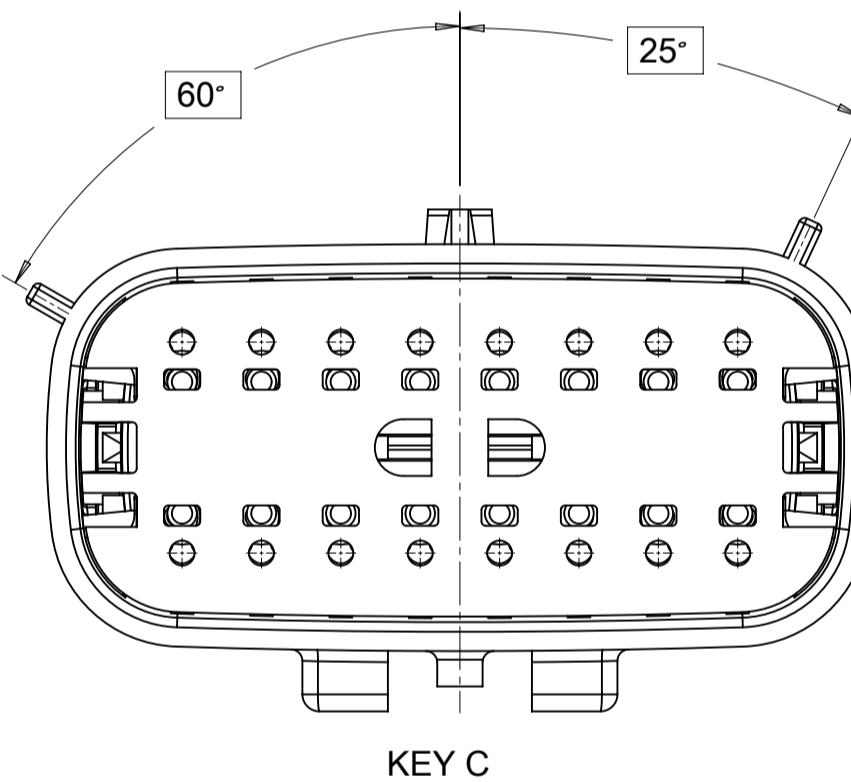
2X8



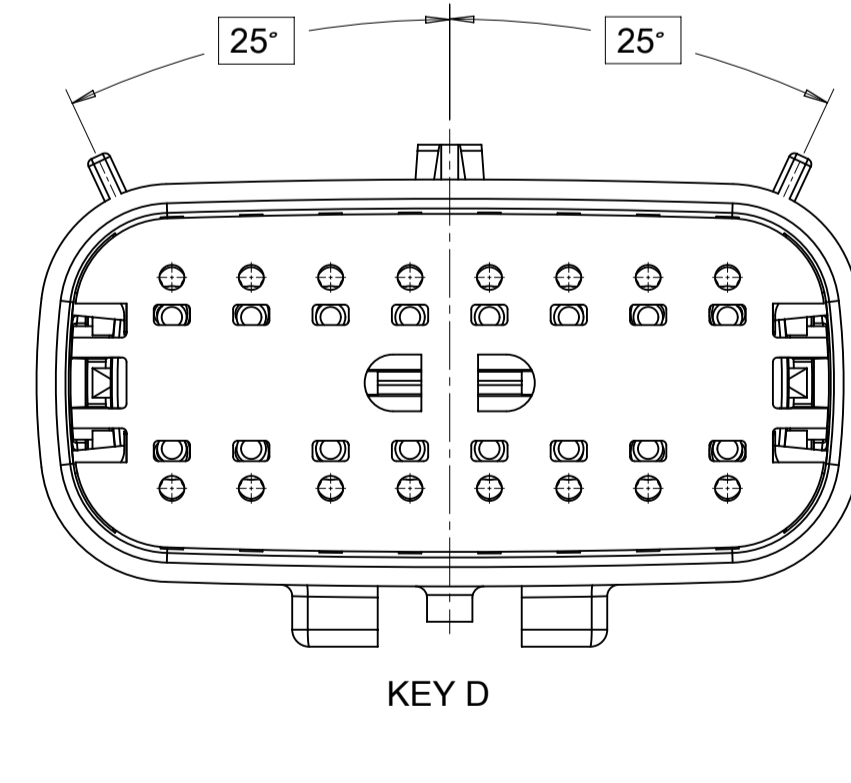
KEY A



KEY B

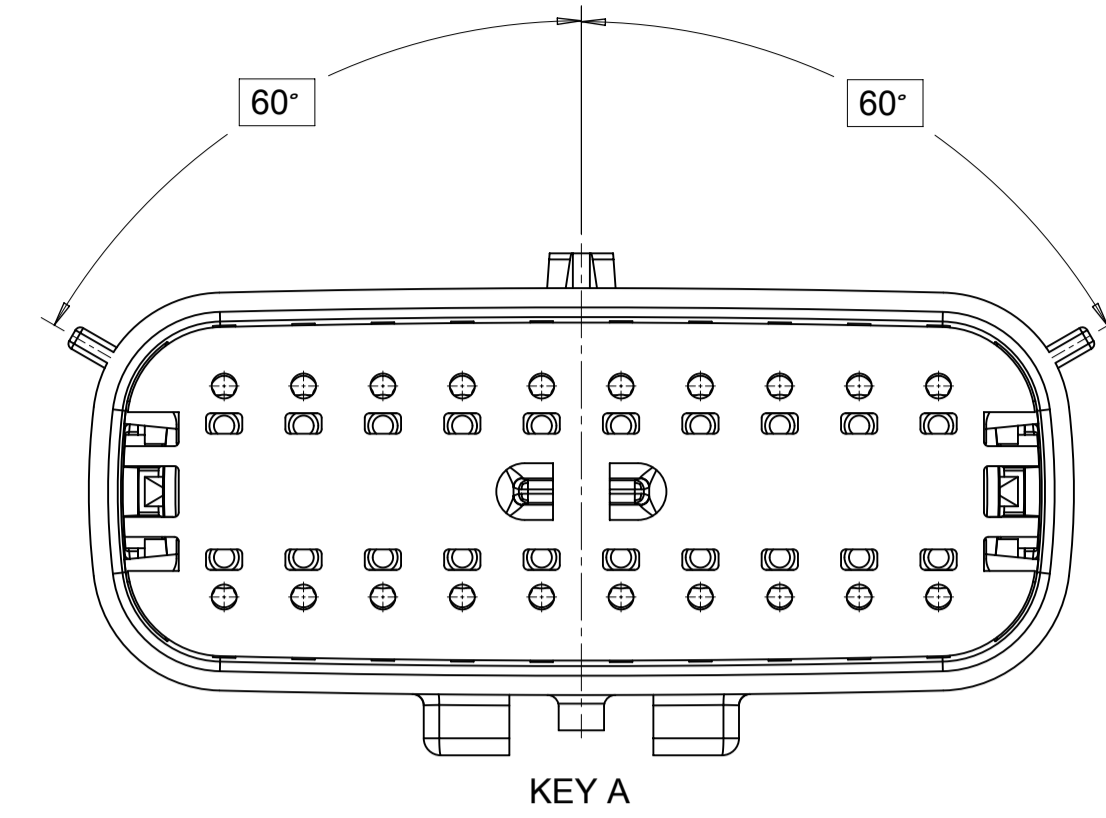


KEY C

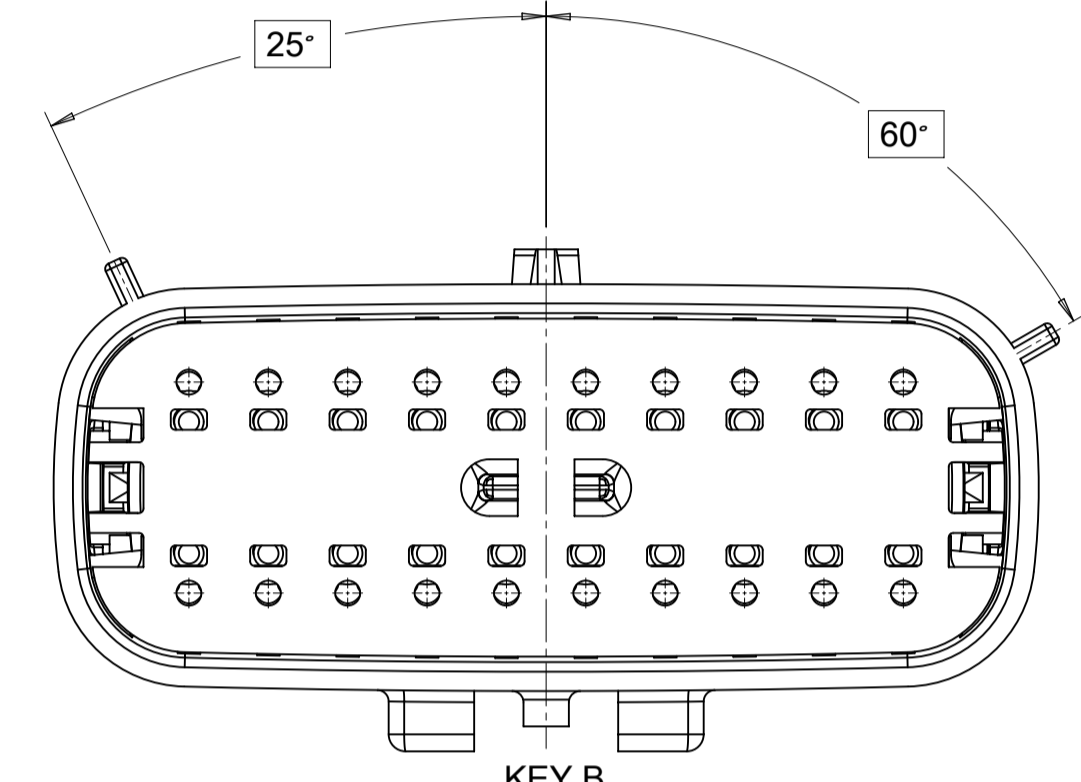


KEY D

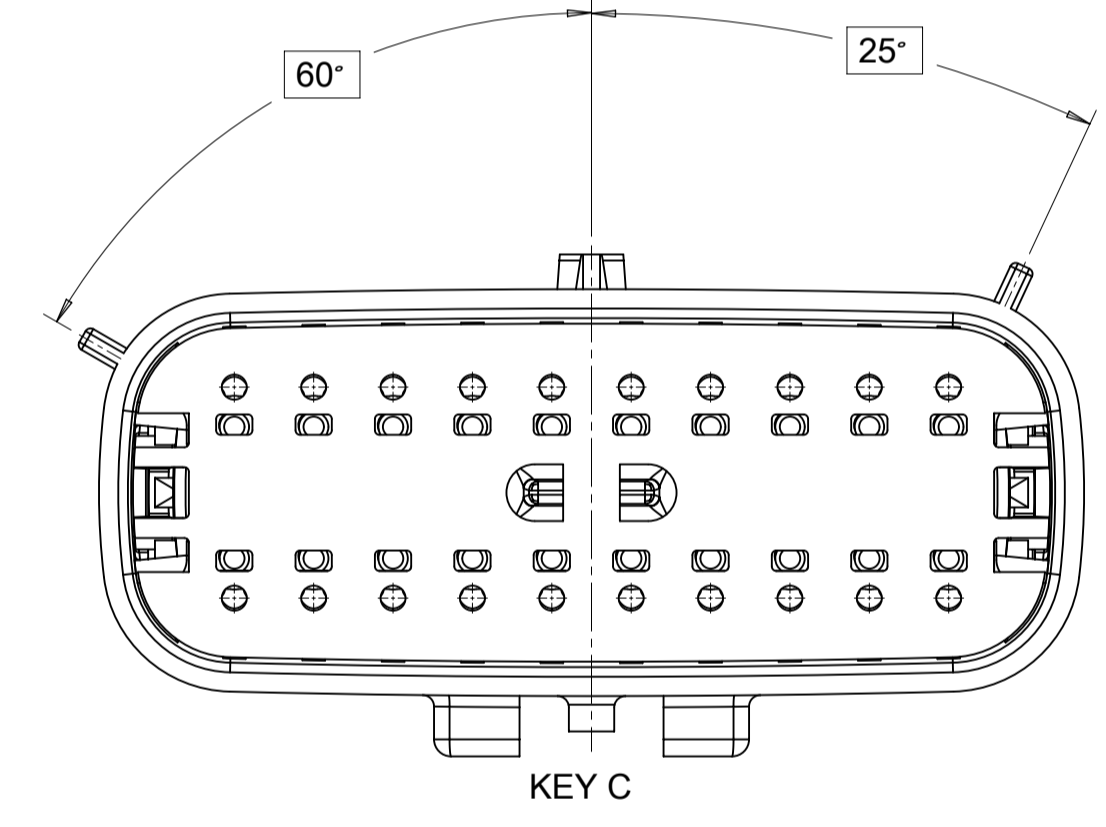
2X10



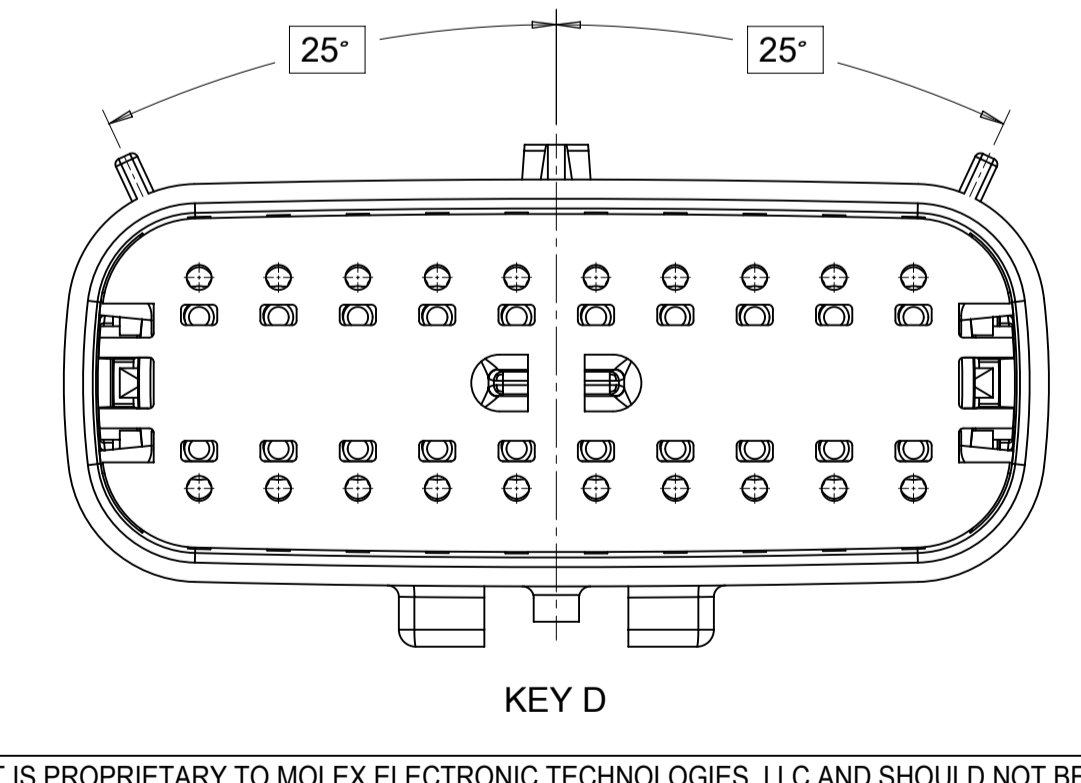
KEY A



KEY B



KEY C

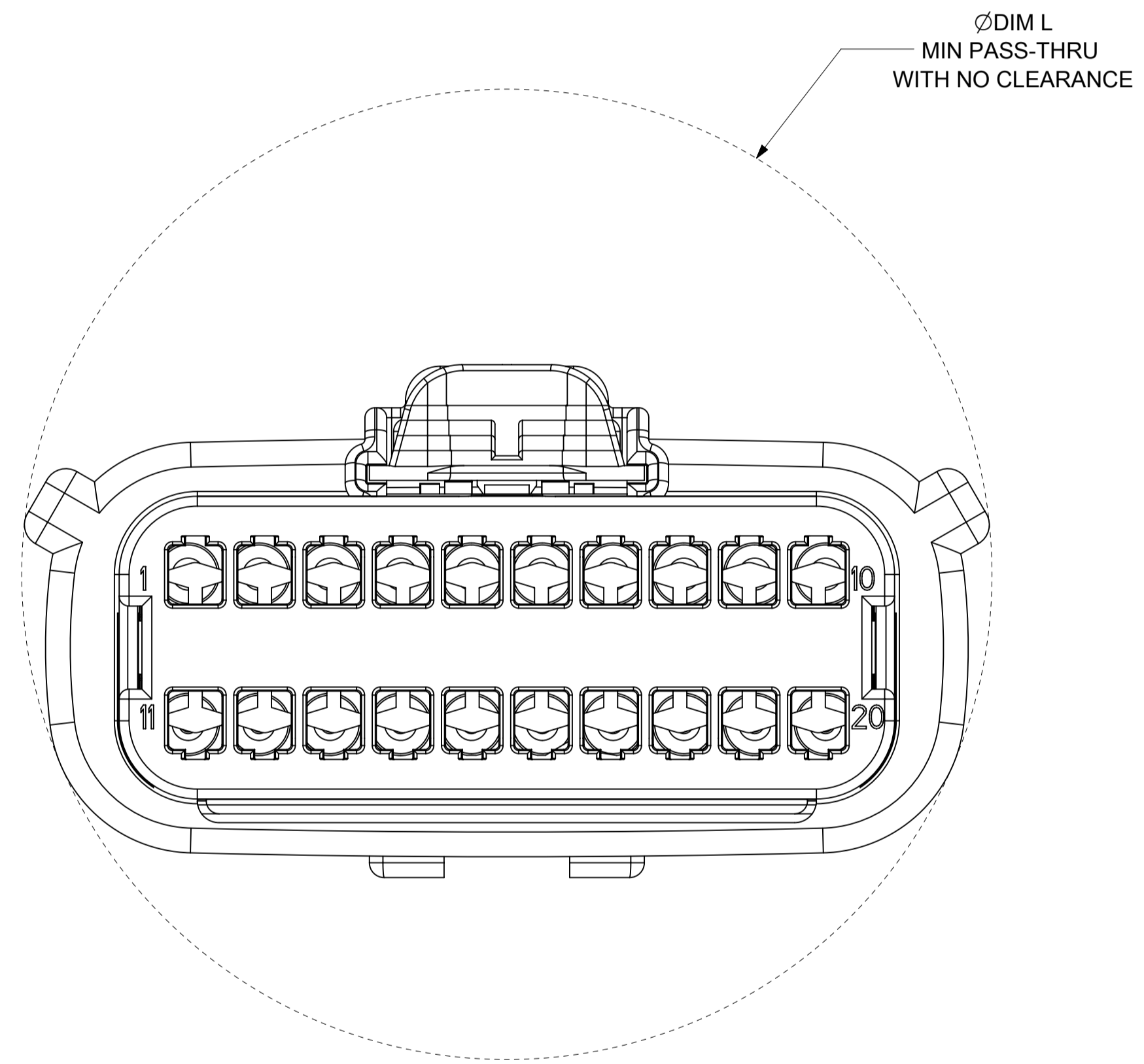
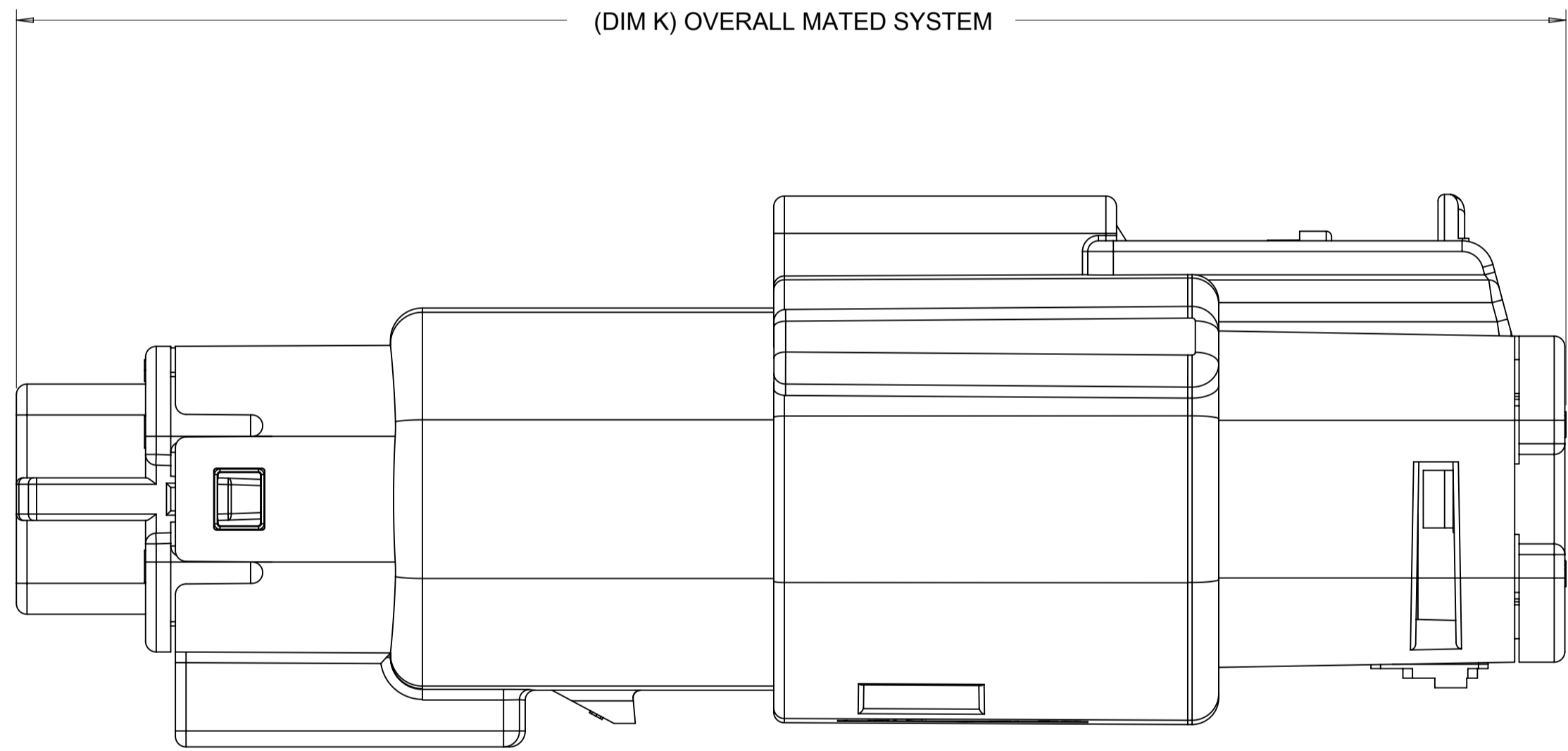


KEY D

SYMBOLS = 0 = 0 = 0 = 0 = 0 = 0 = 0 = 0 = 0 = 0	THIS DRAWING CONTAINS INFORMATION THAT IS PROPRIETARY TO MOLEX ELECTRONIC TECHNOLOGIES, LLC AND SHOULD NOT BE USED WITHOUT WRITTEN PERMISSION DIMENSION UNITS: mm SCALE: 3:1	CURRENT REV DESC: EC NO: 171650 DRWN: PMANJUNATHAC 2018/01/03 CHK'D: MVANSLAMBROU 2018/02/16 APPR: MVANSLAMBROU 2018/02/16			
	GENERAL TOLERANCES (UNLESS SPECIFIED) ANGULAR TOL ± 1.0° 4 PLACES ± 3 PLACES ± 2 PLACES ± 0.1 1 PLACE ± 0.2 0 PLACES ±	INITIAL REVISION: DRWN: APROFFITT 2014/04/28 APPR: VKOSHY 2014/05/14	PRODUCT CUSTOMER DRAWING DOCUMENT NUMBER: SD-33482-0001 DOC TYPE: PSD DOC PART: 001 REVISION: E2		
DRAFT WHERE APPLICABLE MUST REMAIN WITHIN DIMENSIONS	THIRD ANGLE PROJECTION 	DRAWING: A1-SIZE SERIES: 33482	MATERIAL NUMBER GENERAL MARKET	CUSTOMER GENERAL MARKET	SHEET NUMBER 4 OF 11

SHEET DESCRIPTION
SYSTEM PACKAGING

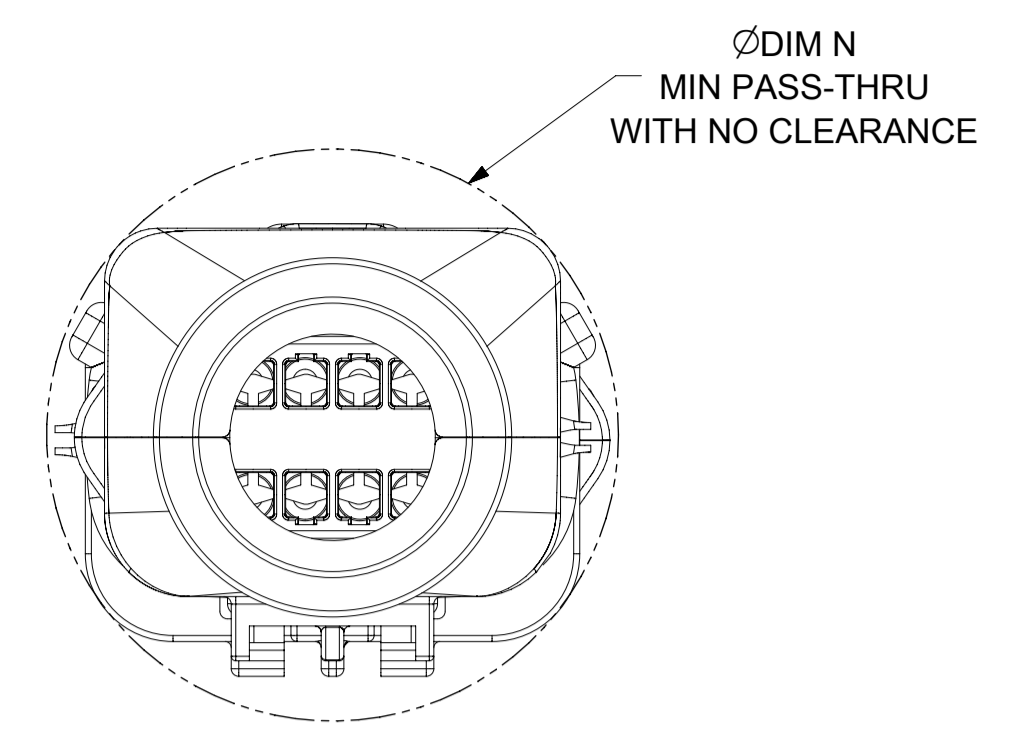
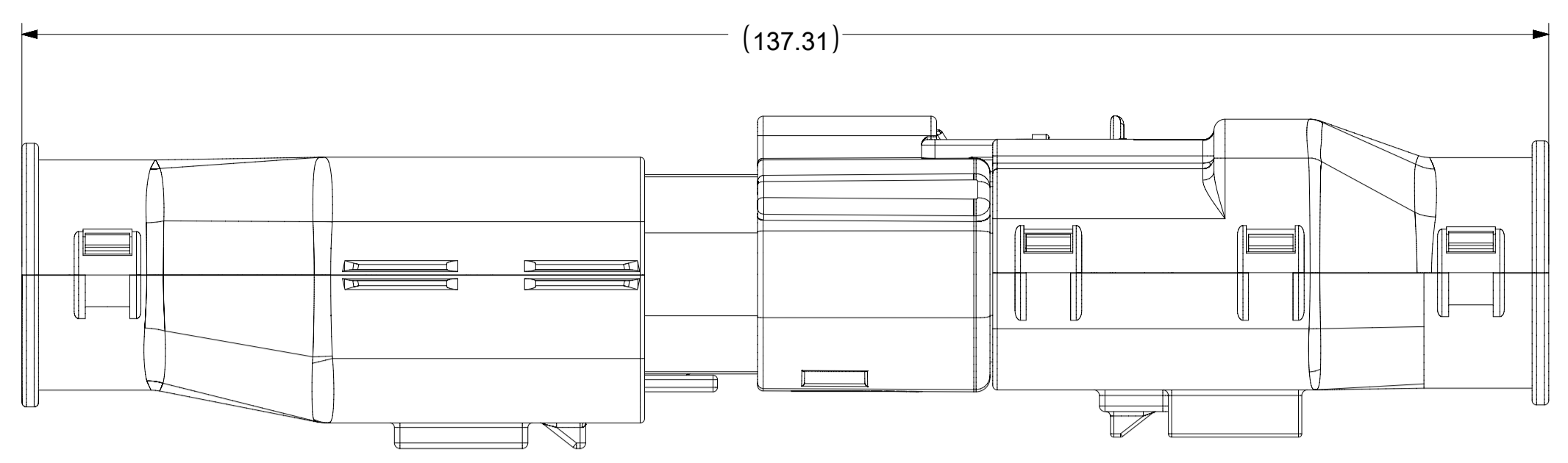
CHARTED DIMENSION				
CKT	BLADE CONFIGURATION	RECEPTACLE CONFIGURATION	DIMENSIONS	
			K	L
2X2	STANDARD	W/O CLIPSLOT	72.78	28.00
		W/ CLIPSLOT	72.78	28.50
		LENGTHENED	77.21	28.00
2X3	STANDARD	W/O CLIPSLOT	72.78	28.00
		W/ CLIPSLOT		30.50
	LENGTHENED	W/O CLIPSLOT	74.79	28.00
		W/ CLIPSLOT		30.50
2X4	STANDARD	W/O CLIPSLOT	72.78	29.50
		W/ CLIPSLOT		31.50
2X6	STANDARD	W/O CLIPSLOT	72.79	35.58
		W/ CLIPSLOT		
2X8	STANDARD	W/O CLIPSLOT	72.67	42.25
		W/ CLIPSLOT		
2X10	STANDARD	STANDARD	72.78	49.05



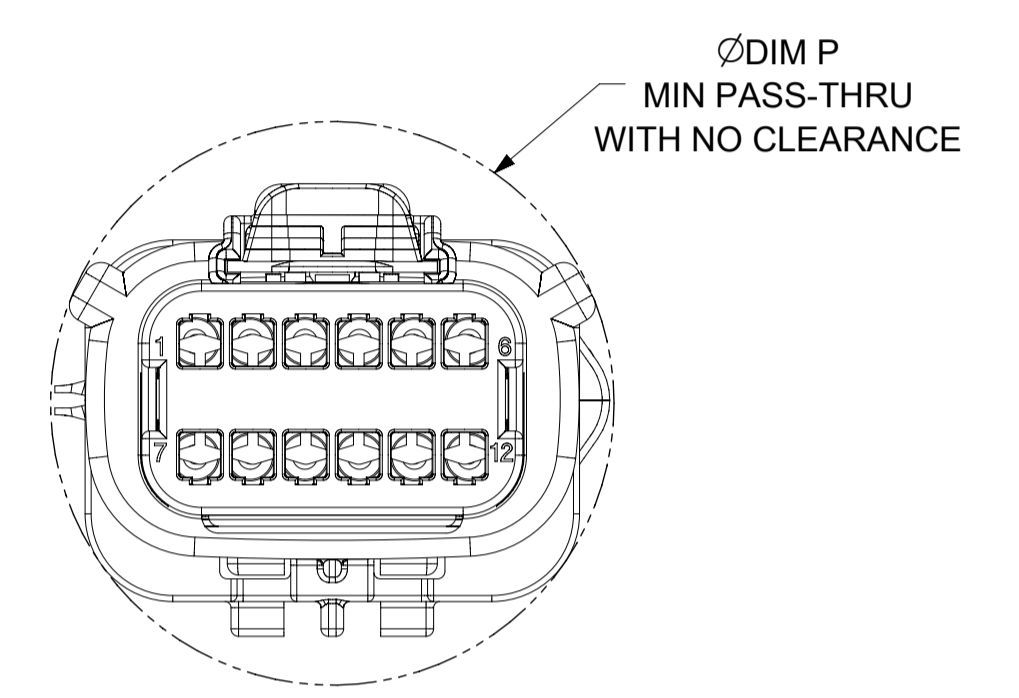
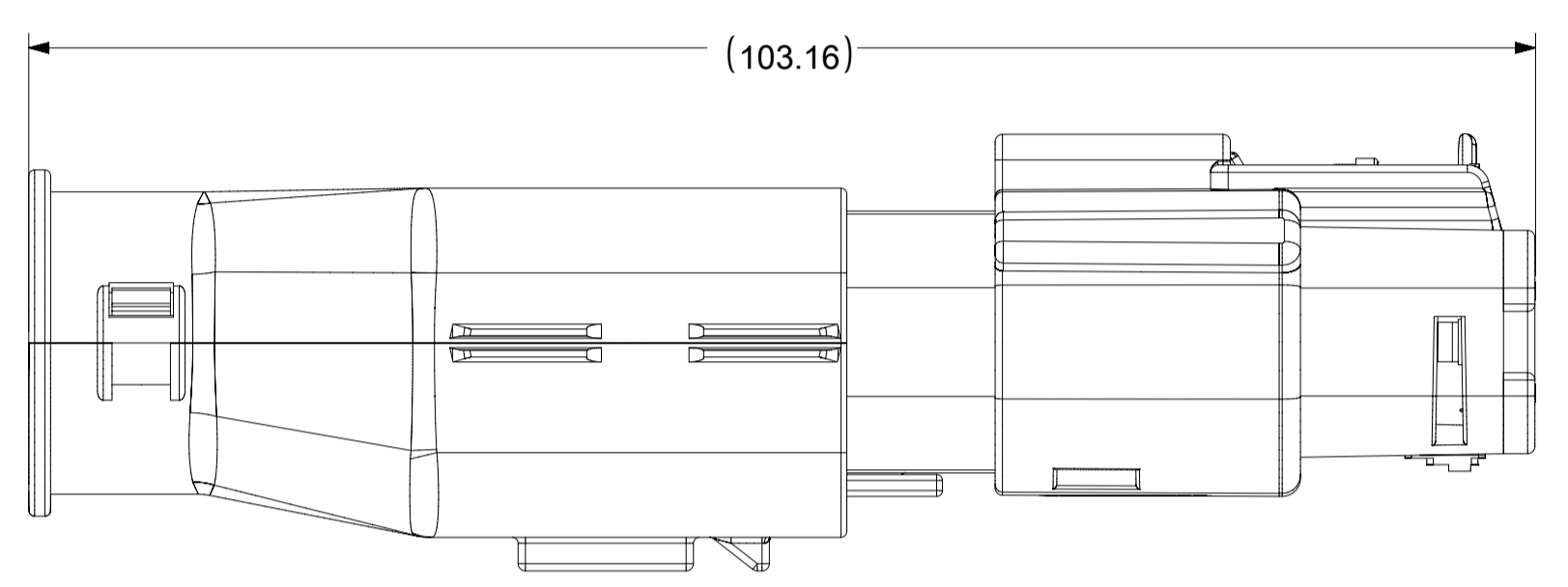
SYMBOLS ▽ = 0 ▽ = 0 ▽ = 0 ▽ = 0 ▽ = 0 ▽ = 0 ▽ = 0 ▽ = 0 ▽ = 0 ▽ = 0	THIS DRAWING CONTAINS INFORMATION THAT IS PROPRIETARY TO MOLEX ELECTRONIC TECHNOLOGIES, LLC AND SHOULD NOT BE USED WITHOUT WRITTEN PERMISSION	DIMENSION UNITS	SCALE	CURRENT REV DESC:						
	mm	4:1	EC NO: 171650 DRWN: PMANJUNATHAC 2018/01/03 CHK'D: MVANSLAMBROU 2018/02/16 APPR: MVANSLAMBROU 2018/02/16							
	GENERAL TOLERANCES (UNLESS SPECIFIED)				INITIAL REVISION:			DOCUMENT NUMBER		
	ANGULAR TOL ± 1.0°				DRWN: APROFFITT 2014/04/28			SD-33482-0001		
	4 PLACES ±				APPR: VKOSHY 2014/05/14			DOC TYPE DOC PART REVISION		
	3 PLACES ±				DRAFT WHERE APPLICABLE MUST REMAIN WITHIN DIMENSIONS			PSD 001 E2		
	2 PLACES ± 0.1				THIRD ANGLE PROJECTION			MATERIAL NUMBER		
	1 PLACE ± 0.2				DRAWING			CUSTOMER		
	0 PLACES ±				A1-SIZE			GENERAL MARKET		
	0 PLACES ±				SERIES			SHEET NUMBER		
				33482			6 OF 11			

SHEET DESCRIPTION
SCHLEMMER BACKSHELL CONFIGURATIONS

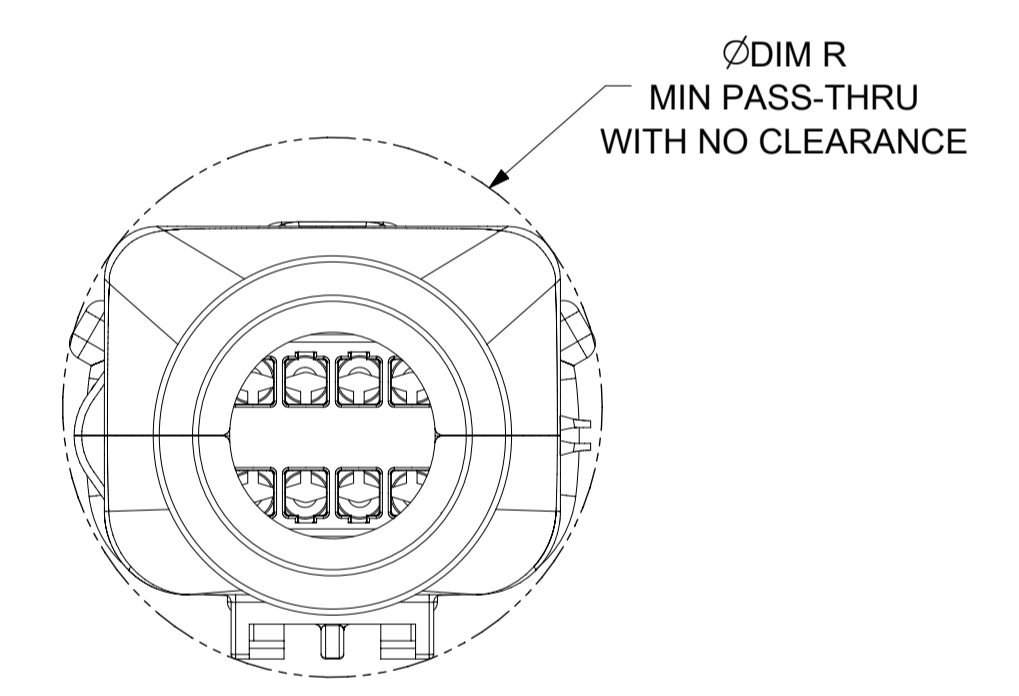
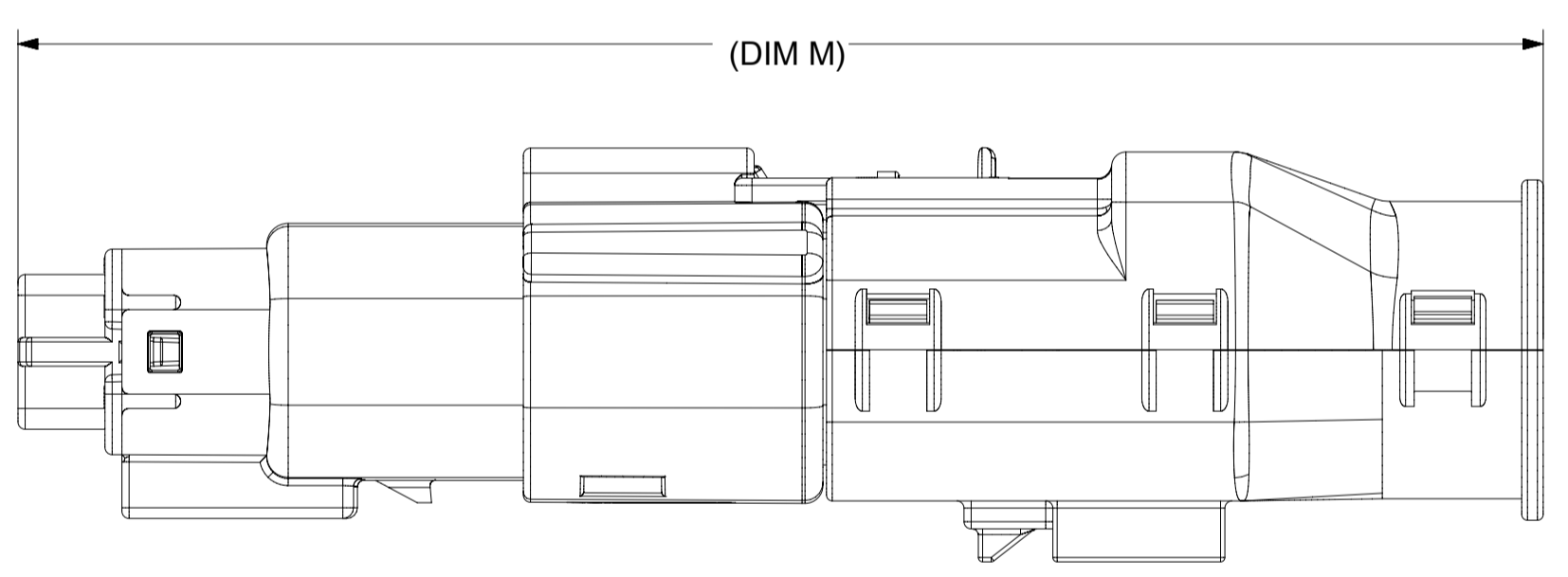
CKT	BLADE CONFIGURATION	RECEPTACLE CONFIGURATION	DIMENSIONS				
			M	N	P	R	T
2X3	STANDARD	STANDARD	106.83	32.75	31.75	29.00	29.50
	LENGTHENED		108.71				
2X4	STANDARD	STANDARD	106.83	33.50	31.90	30.70	30.70
2X6	STANDARD	STANDARD	106.83	37.84	37.27	35.83	36.83



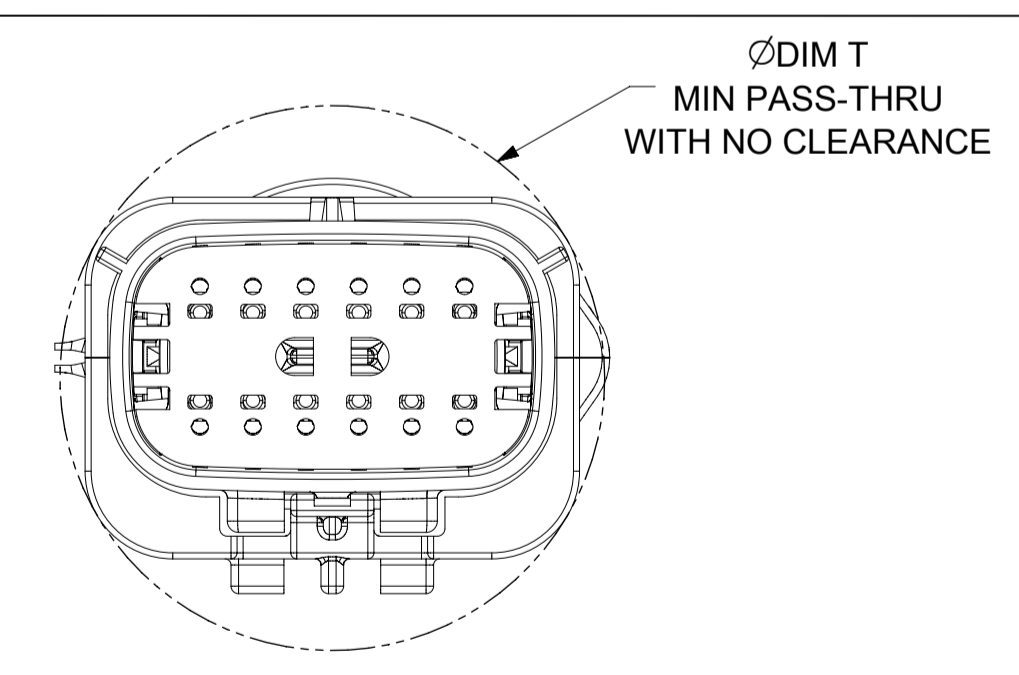
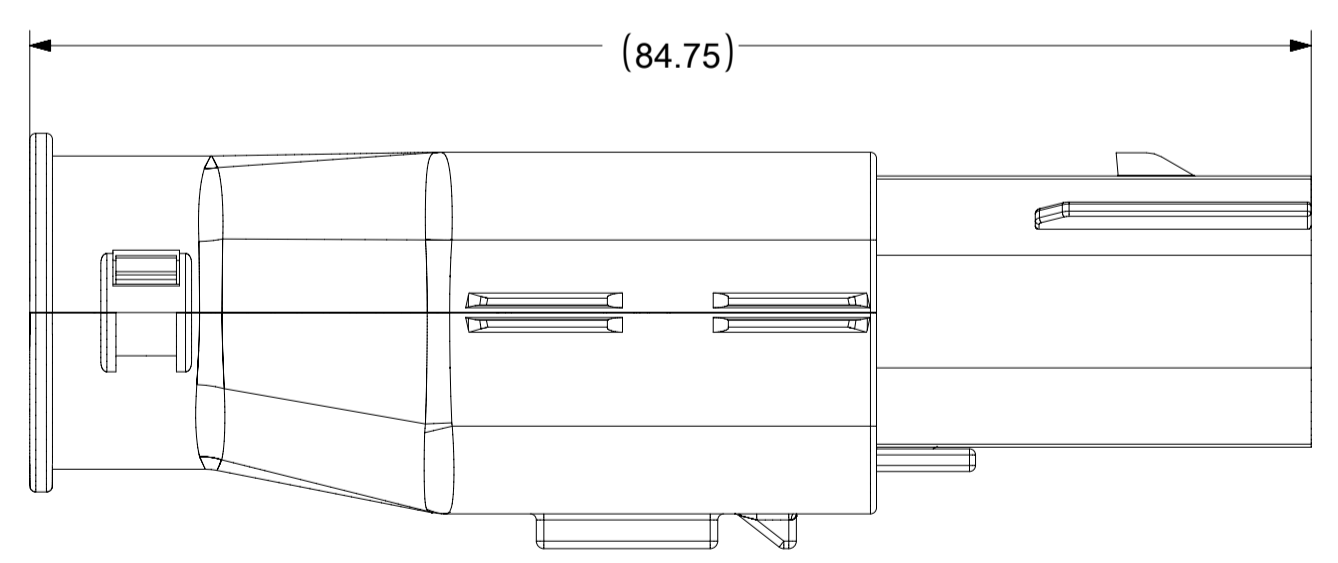
OVERALL MATED SYSTEM WITH BLADE AND RECEPTACLE BACKSHELL



OVERALL MATED SYSTEM WITH BLADE BACKSHELL



OVERALL MATED SYSTEM WITH RECEPTACLE BACKSHELL



BLADE SEALED ASSEMBLY WITH BLADE BACKSHELL

SYMBOLS THIS DRAWING CONTAINS INFORMATION THAT IS PROPRIETARY TO MOLEX ELECTRONIC TECHNOLOGIES, LLC AND SHOULD NOT BE USED WITHOUT WRITTEN PERMISSION DIMENSION UNITS: mm SCALE: 2:1 GENERAL TOLERANCES (UNLESS SPECIFIED): ANGULAR TOL: ± 1.0° 4 PLACES: ± 3 PLACES: ± 2 PLACES: ± 0.1 1 PLACE: ± 0.2 0 PLACES: ± DRAFT WHERE APPLICABLE MUST REMAIN WITHIN DIMENSIONS	CURRENT REV DESC:		 MX150 BLADE DUAL ROW SEALED ASSEMBLY MAT SEAL PRODUCT CUSTOMER DRAWING	
	EC NO: 171650 DRWN: PMANJUNATHAC 2018/01/03 CHK'D: MVANSLAMBROU 2018/02/16 APPR: MVANSLAMBROU 2018/02/16			DOCUMENT NUMBER: SD-33482-0001 DOC TYPE: PSD DOC PART: 001 REVISION: E2
	INITIAL REVISION: DRWN: APROFFITT 2014/04/28 APPR: VKOSHY 2014/05/14			MATERIAL NUMBER: 33482 CUSTOMER: GENERAL MARKET SHEET NUMBER: 10 OF 11
	THIRD ANGLE PROJECTION DRAWING: A1-SIZE SERIES: 33482			

! {9a . [D59{/wt =lhb	! {9a . [D t! w b- a . 9w	/ha thb9b=				. [h/Y95 =9wa lb! [{											{m m- {	/ha a 9b={	ht =lhb! [! m/ I a 9b={ h{5 {9t 9w =9[D			
		=I 9tw9b/9hC! b! . . w9! ll =lhb lb5L! =9{ =I 9 tw9(9b/9hC=I! =/ha thb9b=				/! ' l=9° l=I ! b- a . 9wlb5L! =9{ . [h/Y95 =9wa lb! [th{l=lhb /! ' l=9° l=I h- =! b- a . 9wlb5L! =9{ ht9b =9wa lb! [th{l=lhb													./Y{I 9[[° l=I wL {	./Y{I 9[[° l=I h- = wL {		
		I h- {lbD Y9D=h[hw	Dwha a 9=	t[w	a! = {9! [ろ	わ	わ	ゐ	ゑ	を											
Y9D! 9[! /Y	!	D/	t[w	a															{! [9! . [9			
Y9D. =I DI = Dw E	.	D/	t[w	a															{! [9! . [9			
Y9D/ =5! wW Dw E	/	D/	t[w	a															{! [9! . [9			
Y9D! 9[! /Y	!	D/	t[w	a															{! [9! . [9			
Y9D! 9[! /Y	!	D/	t[w	a															{! [9! . [9			
Y9D! 9[! /Y	!	D/	t[w	a															{! [9! . [9			
Y9D! 9[! /Y	!	D/	t[w	a															{! [9! . [9			
Y9D! 9[! /Y	!	D/	t[w	a															{! [9! . [9			
Y9D! 9[! /Y	!	D/	t[w	a															{! [9! . [9			
Y9D! 9[! /Y	!	D/	t[w	a															{! [9! . [9			
Y9D. =I DI = Dw E	.	D/	t[w	a															{! [9! . [9			
Y9D. =I DI = Dw E	.	D/	t[w	a															{! [9! . [9			
Y9D! 9[! /Y	!	D/	t[w	a															{! [9! . [9			
Y9D! 9[! /Y	!	D/	t[w	a															{! [9! . [9			
Y9D. =I DI = Dw E	.	D/	t[w	a															{! [9! . [9			

Table with columns for phonetic symbols, kana characters, and romanized forms. Includes headers for /ha thb9b= and /h/Y95 =9wa lb! { { and sub-headers for I h- {lbD, Dwha a 9=, t[w, a!={9! [and various kana characters like ろ, わ, む, へ, ん, う, ゑ, せ, ぞ.

Table with multiple columns containing alphanumeric codes, symbols, and Japanese characters. The table is organized into several sections with headers like /ha thb9b and .[h/Y95 9wa lb! {.

Table with multiple columns containing alphanumeric characters and symbols, organized in a grid format. The table includes various combinations of letters, numbers, and symbols, likely representing a data set or a codebook.

Table with columns for phonetic symbols, kana characters, and romanized forms. Includes headers for /ha thb9b= and .[h/Y95 =9wa lb! { { and sub-headers for I h- {lbD, Dwha a 9a, t[w, a!={9! [and ht=lbh! [! =! =/I a 9b={ {h{5 {9t9w =9{D.

Table with multiple columns containing alphanumeric characters and symbols, organized in a grid format. The table includes various combinations of letters, numbers, and symbols, likely representing a data set or a codebook.

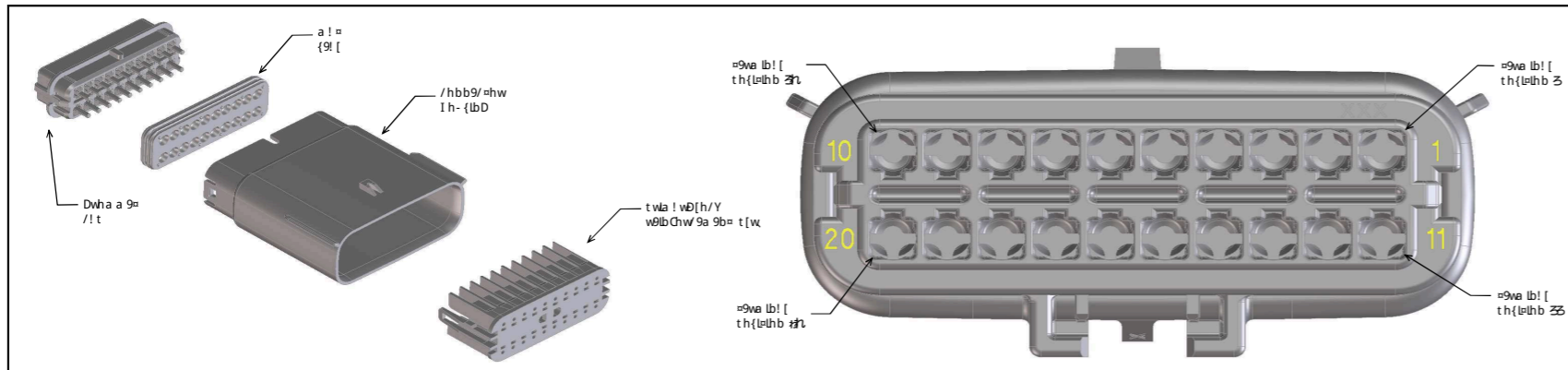
Table with multiple columns containing phonetic symbols and kana characters. The table is organized into several sections with headers like /ha thb9b= and . [h/Y95 =9wa lb! [{ . It lists various combinations of characters and their corresponding phonetic notations.

Table with columns for product codes, dates, and various alphanumeric identifiers. Includes headers like /ha thb9b=, /h/Y95 #9va lb! [{, and /Y/I 9[° wL {.

Table with columns for material codes (e.g., Y90, Y9D, Y9S), dimensions, and various alphanumeric fields. The table is organized into several main sections and contains many rows of data.

Table with multiple columns containing alphanumeric codes and symbols. Headers include '9/ b bh', '5! 9', and various alphanumeric strings. The table contains a dense grid of data points, likely representing a product catalog or technical specifications.

!{{9a. [D] t! w b - a . 9w	/ha thb9b=					. [h/Y95 =9wa lb! [{{																{m - {	/ha a 9b={	ht=hb! [! =m/I a 9b={ (h5 (9t9w =9[D															
	I h - {lbD Y9d#w[h[w	Dw#a 9=/ t	t[w	a [9[ろ	わ	わ	あ	あ	を	ん	う		ぢ	ぢ	ぢ	ぢ	ぢ	ぢ	ぢ				ぢ	ぢ	ぢ	ぢ	ぢ	ぢ	ぢ	ぢ	ぢ	ぢ	ぢ	ぢ	ぢ	ぢ	ぢ
Y9d! 1/Y	材料仕様	!	D/t	t[w	a [9[あ			ん			ぢ	ぢ	ぢ	ぢ	ぢ	ぢ	ぢ																		
Y9d! 1/Y	材料仕様	!	D/t	t[w	a [9[あ			ん			ぢ	ぢ	ぢ	ぢ	ぢ	ぢ	ぢ																		
Y9d! 1/Y	材料仕様	!	D/t	t[w	a [9[ぢ	あ			ん			ぢ	ぢ	ぢ	ぢ	ぢ	ぢ	ぢ																		
Y9d! 1/Y	材料仕様	!	D/t	t[w	a [9[ぢ				ん			ぢ	ぢ	ぢ	ぢ	ぢ	ぢ	ぢ																		
Y9d! 1/Y	材料仕様	!	D/t	t[w	a [9[ぢ	あ			ん			ぢ	ぢ	ぢ	ぢ	ぢ	ぢ	ぢ																		
Y9d! 1/Y	材料仕様	!	D/t	t[w	a [9[ぢ				ん			ぢ	ぢ	ぢ	ぢ	ぢ	ぢ	ぢ																		
Y9d! 1/Y	材料仕様	!	D/t	t[w	a [9[ぢ	あ			ん			ぢ	ぢ	ぢ	ぢ	ぢ	ぢ	ぢ																		
Y9d! 1/Y	材料仕様	!	D/t	t[w	a [9[ぢ				ん			ぢ	ぢ	ぢ	ぢ	ぢ	ぢ	ぢ																		
Y9d! 1/Y	材料仕様	!	D/t	t[w	a [9[ぢ	あ			ん			ぢ	ぢ	ぢ	ぢ	ぢ	ぢ	ぢ																		
Y9d! 1/Y	材料仕様	!	D/t	t[w	a [9[ぢ				ん			ぢ	ぢ	ぢ	ぢ	ぢ	ぢ	ぢ																		
Y9d! 1/Y	材料仕様	!	D/t	t[w	a [9[ぢ	あ			ん			ぢ	ぢ	ぢ	ぢ	ぢ	ぢ	ぢ																		
Y9d! 1/Y	材料仕様	!	D/t	t[w	a [9[ぢ				ん			ぢ	ぢ	ぢ	ぢ	ぢ	ぢ	ぢ																		
Y9d! 1/Y	材料仕様	!	D/t	t[w	a [9[ぢ	あ			ん			ぢ	ぢ	ぢ	ぢ	ぢ	ぢ	ぢ																		
Y9d! 1/Y	材料仕様	!	D/t	t[w	a [9[ぢ				ん			ぢ	ぢ	ぢ	ぢ	ぢ	ぢ	ぢ																		
Y9d! 1/Y	材料仕様	!	D/t	t[w	a [9[ぢ	あ			ん			ぢ	ぢ	ぢ	ぢ	ぢ	ぢ	ぢ																		
Y9d! 1/Y	材料仕様	!	D/t	t[w	a [9[ぢ				ん			ぢ	ぢ	ぢ	ぢ	ぢ	ぢ	ぢ																		
Y9d! 1/Y	材料仕様	!	D/t	t[w	a [9[ぢ	あ			ん			ぢ	ぢ	ぢ	ぢ	ぢ	ぢ	ぢ																		
Y9d! 1/Y	材料仕様	!	D/t	t[w	a [9[ぢ				ん			ぢ	ぢ	ぢ	ぢ	ぢ	ぢ	ぢ																		
Y9d! 1/Y	材料仕様	!	D/t	t[w	a [9[ぢ	あ			ん			ぢ	ぢ	ぢ	ぢ	ぢ	ぢ	ぢ																		
Y9d! 1/Y	材料仕様	!	D/t	t[w	a [9[ぢ				ん			ぢ	ぢ	ぢ	ぢ	ぢ	ぢ	ぢ																		
Y9d! 1/Y	材料仕様	!	D/t	t[w	a [9[ぢ	あ			ん			ぢ	ぢ	ぢ	ぢ	ぢ	ぢ	ぢ																		
Y9d! 1/Y	材料仕様	!	D/t	t[w	a [9[ぢ				ん			ぢ	ぢ	ぢ	ぢ	ぢ	ぢ	ぢ																		
Y9d! 1/Y	材料仕様	!	D/t	t[w	a [9[ぢ	あ			ん			ぢ	ぢ	ぢ	ぢ	ぢ	ぢ	ぢ																		
Y9d! 1/Y	材料仕様	!	D/t	t[w	a [9[ぢ				ん			ぢ	ぢ	ぢ	ぢ	ぢ	ぢ	ぢ																		



!..w6 l hhw	59/w6 l hhw	/h{hw	a ! mwl {
! QY	1h-(lbD)*9bD ht=hb!	. /Y	{t lb{hb} DC#
. ID	1h-(lbD)*9bD ht=hb,	[DI = Dw E	{t lb{hb} DC#
/Cw	1h-(lbD)*9bD ht=hb/	.wh* b	{t lb{hb} DC#
5Dw	1h-(lbD)*9bD ht=hb 5	Dw9b	{t lb{hb} DC#
ID	1h-(lbD)*9bD ht=hb!	Dh(h*	{t lb{hb} DC#
/SD	1h-(lbD)*9bD ht=hb/	5! w Dw E	{t lb{hb} DC#
5ID	1h-(lbD)*9bD ht=hb 5	{hb9 Dw E	{t lb{hb} DC#
D/t	Dvha a 9e/! t t! -D95,	. /Y	{t lb{hb} DC#
D/h	Dvha a 9e/! t ht 9b,	. /Y	{t lb{hb} DC#
t[w	t[w	b! = w	{t lb{hb} DC#
a w	a ! = 99	w ! = 95	lb! 9wb=QD! - .w/! =95 {lU/hb9
a Q	a ! = 99	[DI = . - 9	lb! 9wb=QD! - .w/! =95 {lU/hb9

Chw! 55w6b! / lbChw ! =hb 99 {5} 5

! {} a . [D59/ w6 l hhw	! {} a . [D1 w6 b - a . 9w	/ha t hb 9b =																						. /h/ Y95 9wa lb ! {																						{ m = {	/ha a 9b =	ht=hb! ! m = /a 9b = {h{ 5 { 9 9w =9D			
		! 9 t w6 (9b/9hC! b ! .. w6 l hhw lb 5U! =9 { 9 t w6 (9b/9hC! = /ha t hb 9b =		! ! lbD* w! ! b - a . 9wb 5U! =9 { /h/ Y95 9wa lb ! /th{w6b} ! ! lbD* w! h - ! b - a . 9wb 5U! =9 { ht 9b 9wa lb ! /th{w6b}																						/Y 99	/h 99	/b 99	/w 99																						
		1 h- {lbD} Y9b l h/hw	Dvha a 9e /t	t[w	a ! = 99	3	4	5	6	7	8	9	10	11	12	13	14	15	16	17	18	19	20	21	22					! / Y 99	! / Y 99	! S! t=hw* l w	! S! t=hw* l h - = w																		
Y9D! h/! /Y	! QY	D/h	t[w	a u																							h. {h} 90	(99 99)	99	99	99	99																			
Y9D! h/! /Y	. ID	D/h	t[w	a u																							h. {h} 90	(99 99)	99	99	99	99																			
Y9D! h/! /Y	/Cw	D/h	t[w	a u																							h. {h} 90	(99 99)	99	99	99	99																			
Y9D! h/! /Y	5Dw	D/h	t[w	a u																							h. {h} 90	(99 99)	99	99	99	99																			
Y9D! h/! /Y	ID	D/t	t[w	a u																							h. {h} 90	(99 99)	99	99	99	99																			
Y9D! h/! /Y	/SD	D/t	t[w	a u																							h. {h} 90	(99 99)	99	99	99	99																			
Y9D! h/! /Y	5ID	D/t	t[w	a u																							h. {h} 90	(99 99)	99	99	99	99																			
Y9D! h/! /Y	D/t	D/t	t[w	a u																							h. {h} 90	(99 99)	99	99	99	99																			
Y9D! h/! /Y	D/h	D/t	t[w	a u																							h. {h} 90	(99 99)	99	99	99	99																			
Y9D! h/! /Y	t[w	D/t	t[w	a u																							h. {h} 90	(99 99)	99	99	99	99																			
Y9D! h/! /Y	a w	D/t	t[w	a u																							h. {h} 90	(99 99)	99	99	99	99																			
Y9D! h/! /Y	a Q	D/t	t[w	a u																							h. {h} 90	(99 99)	99	99	99	99																			

Table with multiple columns including headers like /ha thb9b=, /h/Y95 =9wa lb! {}, and various alphanumeric data points. The table contains numerous rows of data, likely representing a technical specification or a data catalog.

Table with multiple columns and rows, containing alphanumeric data and symbols. The table is organized into sections with headers like '9b bh' and '5! 9! 95! 99'. It appears to be a technical or data reference table.

