

316061-1 ✓ ACTIVE

## Power Double Lock

TE Internal #: 316061-1

Rectangular Connector Locking, Double Lock Plate, 2 Position, .255 in [6.5 mm] Centerline, UL 94V-0, -30 – 105 °C [-22 – 221 °F], Power Double Lock

[View on TE.com >](#)



Connectors > Rectangular Connectors > Rectangular Connector Accessories > Locking > Power Double Lock TPA



Connector & Contact Retention Accessory Type: **Double Lock Plate**

Number of Positions: **2**

Centerline (Pitch): **6.5 mm [ .255 in ]**

Sealable: **No**

UL Flammability Rating: **UL 94V-0**

[All Power Double Lock TPA \(6\)](#)

## Features

### Product Type Features

Product Type	Accessory
Glow Wire Rating	Standard Part - Not Glow Wire
Connector & Contact Retention Accessory Type	Double Lock Plate
Sealable	No

### Configuration Features

Number of Positions	2
---------------------	---

### Body Features

Color	Natural
-------	---------

### Housing Features

Housing Material	Glass-Filled Nylon 66
Centerline (Pitch)	6.5 mm [.255 in]

### Dimensions



Height	4.9 mm
--------	--------

Length	14.7 mm
--------	---------

### Usage Conditions

Operating Temperature Range	-30 – 105 °C[-22 – 221 °F]
-----------------------------	----------------------------

### Operation/Application

For Use With	Applicable Product: *-179861-*, Plug Housing
--------------	--

### Industry Standards

UL Flammability Rating	UL 94V-0
------------------------	----------

### Packaging Features

Packaging Method	Bag/Box
------------------	---------

Packaging Quantity	500
--------------------	-----

### Other

Comment	Quantity required based on connector being used.
---------	--

## Product Compliance

[For compliance documentation, visit the product page on TE.com>](#)

EU RoHS Directive 2011/65/EU	Compliant
------------------------------	-----------

EU ELV Directive 2000/53/EC	Compliant
-----------------------------	-----------

China RoHS 2 Directive MIIT Order No 32, 2016	No Restricted Materials Above Threshold
---	---

EU REACH Regulation (EC) No. 1907/2006	Current ECHA Candidate List: JUNE 2022 (224) Candidate List Declared Against: JAN 2022 (223) SVHC > Threshold: Not Yet Reviewed
--	--

Halogen Content	Not Low Halogen - contains Br or Cl > 900 ppm.
-----------------	--


Solder Process Capability	Not applicable for solder process capability
---------------------------	--

#### Product Compliance Disclaimer

This information is provided based on reasonable inquiry of our suppliers and represents our current actual knowledge based on the information they provided. This information is subject to change. The part numbers that TE has identified as EU RoHS compliant have a maximum concentration of 0.1% by weight in homogenous materials for lead, hexavalent chromium, mercury, PBB, PBDE, DBP, BBP, DEHP, DIBP, and 0.01% for cadmium, or qualify for an exemption to these limits as defined in the Annexes of Directive 2011/65/EU (RoHS2). Finished electrical and electronic equipment products will be CE marked as required by Directive 2011/65/EU. Components may not be CE marked. Additionally, the part numbers that TE has identified as EU ELV compliant have a maximum concentration of 0.1% by weight in homogenous

materials for lead, hexavalent chromium, and mercury, and 0.01% for cadmium, or qualify for an exemption to these limits as defined in the Annexes of Directive 2000/53/EC (ELV). Regarding the REACH Regulation, the information TE provides on SVHC in articles for this part number is based on the latest European Chemicals Agency (ECHA) 'Guidance on requirements for substances in articles' posted at this URL: <https://echa.europa.eu/guidance-documents/guidance-on-reach>

## Compatible Parts




TE Part # 2-179861-1  
AMP POWER D/LOCK PLUG HSG 4P




TE Part # 1903486-1  
AMP PDL 6.5MM PITCH CAP HSG 4P

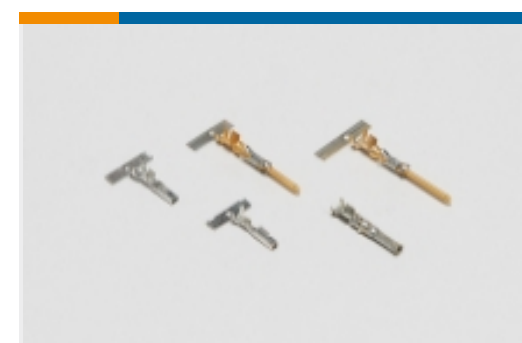
## Also in the Series | Power Double Lock




Connector Contacts(1)




Insertion & Extraction Tools(2)



Power Contacts(23)



Rectangular Connector Locking(14)



Rectangular Power Connectors(284)

## Customers Also Bought



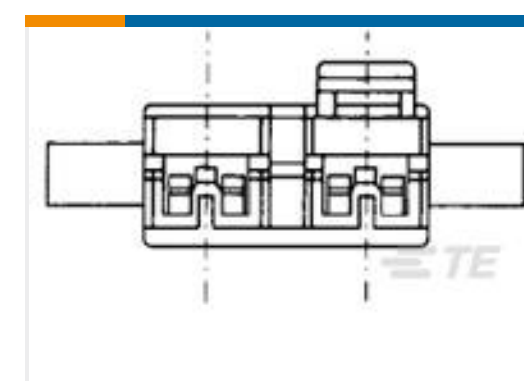
TE Part #179939-1  
POWER D/LOCK PLUG HSG 4P /6.5



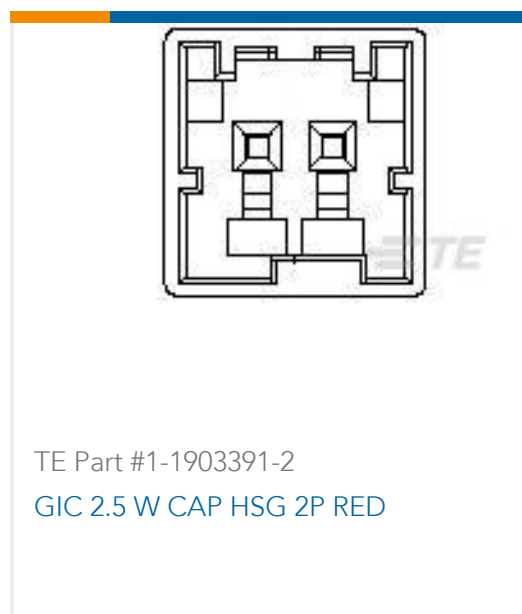
TE Part #316063-1  
Power Double Lock TPA



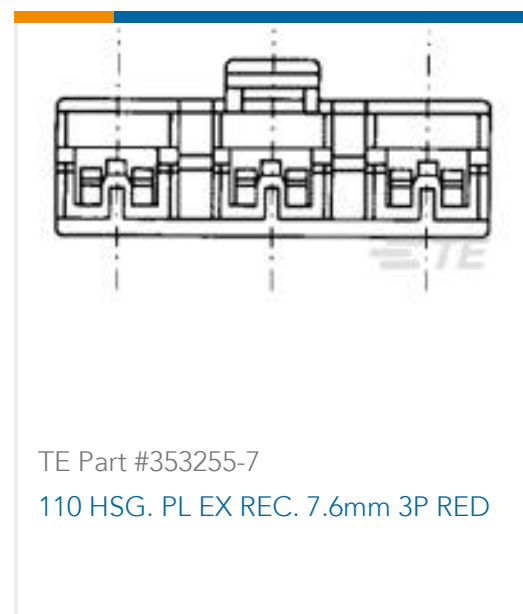
TE Part #2-1903391-3  
STD Temp Sig GRACE INERTIA Cap



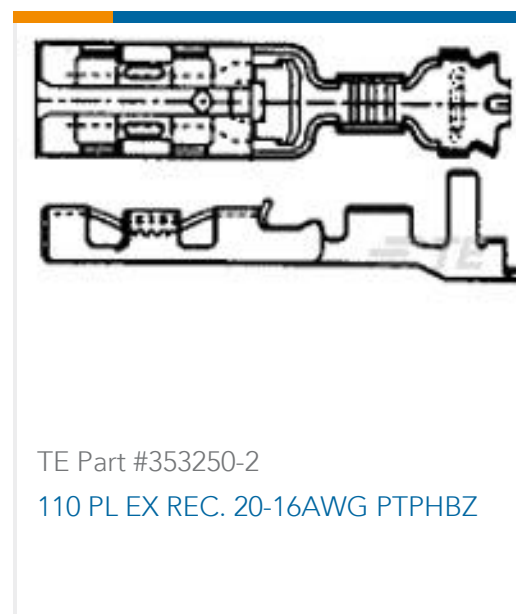
TE Part #353253-1  
PL EX 110 (2.8 MM) HOUSING RECEPTACLE



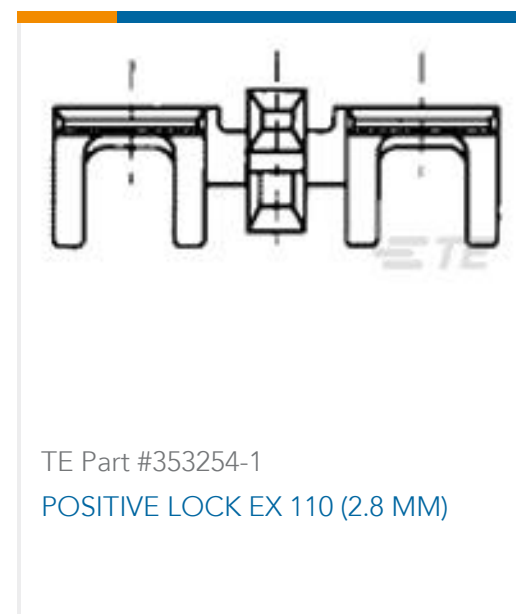
TE Part #1-1903391-2  
GIC 2.5 W CAP HSG 2P RED



TE Part #353255-7  
110 HSG. PL EX REC. 7.6mm 3P RED



TE Part #353250-2  
110 PL EX REC. 20-16AWG PTPHBZ



TE Part #353254-1  
POSITIVE LOCK EX 110 (2.8 MM)

## Documents

### Product Drawings

#### POWER DBL LOCK PLATE 2P /6.5MM

English

### CAD Files

#### Customer View Model

[ENG\\_CVM\\_CVM\\_316061-1\\_C.2d\\_dxf.zip](#)

English

#### 3D PDF

3D

#### Customer View Model

[ENG\\_CVM\\_CVM\\_316061-1\\_C.3d\\_igs.zip](#)

English

#### Customer View Model

[ENG\\_CVM\\_CVM\\_316061-1\\_C.3d\\_stp.zip](#)

English

By downloading the CAD file I accept and agree to the [Terms and Conditions](#) of use.

### Datasheets & Catalog Pages

#### SOFT\_SHELL\_PIN\_AND\_SOCKET\_CONNECTORS\_CATALOG

English

#### 1773458-5\_POWER\_DBL\_LOCK\_(PDL)\_CONNECTORS

English

### Product Specifications

#### Engineering Report

English

### Product Environmental Compliance

#### TE Material Declaration

English

### Instruction Sheets

#### Instruction Sheet (non U.S.)

English

#### AMP POWER DOUBLELOCK CONNECTOR SERIES

316061-1

Rectangular Connector Locking, Double Lock Plate, 2 Position, .255 in [6.5 mm]  
Centerline, UL 94V-0, -30 – 105 °C [-22 – 221 °F], Power Double Lock



English