



Connectors > Automotive Connectors > Connector Housings

Connector & Housing Type: **Housing for Female Terminals**Connector System: **Wire-to-Board, Wire-to-Device, Wire-to-Wire**Number of Positions: **2**Centerline (Pitch): **5.4 mm [.213 in]**Sealable: **No**

Features

Product Type Features

Connector & Housing Shape	Rectangular
Connector & Housing Type	Housing for Female Terminals
Connector System	Wire-to-Board, Wire-to-Device, Wire-to-Wire
Sealable	No
Hybrid Connector	No
Primary Locking Feature	Integrated in Housing

Configuration Features

Number of Positions	2
Number of Rows	1

Electrical Characteristics

Operating Voltage	18 VDC
Nominal Voltage Architecture	12 V

Body Features

Cable Exit Angle	180°
Body Material	PA
Primary Product Color	Yellow

Mechanical Attachment

Mounting Feature	Without
------------------	---------



Terminal Position Assurance	No
Strain Relief	Without
Mating Alignment Type	Polarization Rib
Mating Alignment	With
Connector Mounting Type	Cable Mount (Free-Hanging)

Housing Features

Centerline (Pitch)	5.4 mm [.213 in]
--------------------	------------------

Dimensions

Product Width	9.9 mm [.39 in]
Product Length	15.4 mm [.606 in]
Product Height	21.6 mm [.85 in]
Row-to-Row Spacing	8.6 mm [.339 in]

Usage Conditions

Operating Temperature (Max)	70 °C, 75 °C, 80 °C, 85 °C [158 °F][167 °F] [176 °F][185 °F]
Operating Temperature Range	-40 – 85 °C [-40 – 185 °F]

Industry Standards

UL Flammability Rating	UL 94HB
------------------------	---------

Packaging Features

Packaging Quantity	1000
Packaging Method	Bag

Other

Serviceable	Yes
Connector Position Assurance Capable	No

Product Compliance

[For compliance documentation, visit the product page on TE.com>](#)

EU RoHS Directive 2011/65/EU	Compliant
EU ELV Directive 2000/53/EC	Compliant
China RoHS 2 Directive MIIT Order No 32, 2016	No Restricted Materials Above Threshold
EU REACH Regulation (EC) No. 1907/2006	Current ECHA Candidate List: JUNE 2022 (224)



Candidate List Declared Against: JAN 2022
(223)
SVHC > Threshold:
Not Yet Reviewed

Halogen Content
Low Halogen - Br, Cl, F, I < 900 ppm per homogenous material. Also BFR/CFR/PVC Free

Solder Process Capability
Not applicable for solder process capability

Product Compliance Disclaimer

This information is provided based on reasonable inquiry of our suppliers and represents our current actual knowledge based on the information they provided. This information is subject to change. The part numbers that TE has identified as EU RoHS compliant have a maximum concentration of 0.1% by weight in homogenous materials for lead, hexavalent chromium, mercury, PBB, PBDE, DBP, BBP, DEHP, DIBP, and 0.01% for cadmium, or qualify for an exemption to these limits as defined in the Annexes of Directive 2011/65/EU (RoHS2). Finished electrical and electronic equipment products will be CE marked as required by Directive 2011/65/EU. Components may not be CE marked. Additionally, the part numbers that TE has identified as EU ELV compliant have a maximum concentration of 0.1% by weight in homogenous materials for lead, hexavalent chromium, and mercury, and 0.01% for cadmium, or qualify for an exemption to these limits as defined in the Annexes of Directive 2000/53/EC (ELV). Regarding the REACH Regulation, the information TE provides on SVHC in articles for this part number is based on the latest European Chemicals Agency (ECHA) 'Guidance on requirements for substances in articles' posted at this URL: <https://echa.europa.eu/guidance-documents/guidance-on-reach>

Compatible Parts

TE Part # CAT-M9194-T273
MULTILOCK, RECEPTACLE AND TAB

TE Part # 348794-4
SHORTING CONN TAB HOUSING (BRIG)

TE Part # 173631-8
070 RCPT NON SEALED TIN

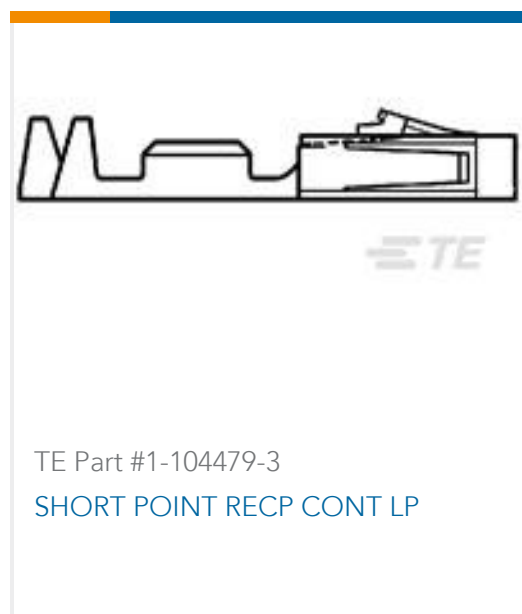
Customers Also Bought

TE Part #1-640250-4
14P SL156 HSG W/LCK RAMP NATL

TE Part #3-1376387-4
5mm B-T-W Conn. 6P(2row) HDR A

TE Part #639637-000
Heat Shrink Boots: Non Lipped, Straight

TE Part #DT04-12PA-CE08
REC, 12P, GRY, E, ENH KEY, A



Documents

Product Drawings

SHORTING CONN RECPT HSG. (BRIG

English

CAD Files

3D PDF

English

Customer View Model

[ENG_CVM_348793-4_C.2d_dxf.zip](#)

English

Customer View Model

[ENG_CVM_348793-4_C.3d_igs.zip](#)

English

Customer View Model

[ENG_CVM_348793-4_C.3d_stp.zip](#)

English

By downloading the CAD file I accept and agree to the [Terms and Conditions](#) of use.

Product Specifications

AMP 070 Multilock Shorting Connector

English

Product Specification

English