



NECTOR | NECTOR S

TE Internal #: 293284-1

Plug & Socket Lighting Connector Accessories, Boot, Wire-to-Wire, 2 Position, Sealable, Bus Bar, Power, Cable Mount (Free-Hanging), NECTOR S

[View on TE.com >](#)

Connectors > Lighting Connectors > Plug & Socket Connector Accessories



Lighting Connector Accessory Type: **Boot**

Connector System: **Wire-to-Wire**

Number of Positions: **2**

Sealable: **Yes**

Connector & Contact Terminates To: **Bus Bar**

**Features**

**Product Type Features**

Product Type	Accessory
Lighting Connector Accessory Type	Boot
Connector System	Wire-to-Wire
Sealable	Yes
Connector & Contact Terminates To	Bus Bar

**Configuration Features**

Number of Positions	2
---------------------	---

**Mechanical Attachment**

Connector Mounting Type	Cable Mount (Free-Hanging)
-------------------------	----------------------------

**Housing Features**

Housing Color	White
---------------	-------

**Operation/Application**

Circuit Application	Power
---------------------	-------

**Product Compliance**

[For compliance documentation, visit the product page on TE.com>](#)

EU RoHS Directive 2011/65/EU	Compliant
EU ELV Directive 2000/53/EC	Compliant



China RoHS 2 Directive MIIT Order No 32, 2016	No Restricted Materials Above Threshold
EU REACH Regulation (EC) No. 1907/2006	Current ECHA Candidate List: JUNE 2022 (224) Candidate List Declared Against: JAN 2022 (223) SVHC > Threshold: Not Yet Reviewed
Halogen Content	Low Halogen - Br, Cl, F, I < 900 ppm per homogenous material. Also BFR/CFR/PVC Free
Solder Process Capability	Not applicable for solder process capability

Product Compliance Disclaimer

This information is provided based on reasonable inquiry of our suppliers and represents our current actual knowledge based on the information they provided. This information is subject to change. The part numbers that TE has identified as EU RoHS compliant have a maximum concentration of 0.1% by weight in homogenous materials for lead, hexavalent chromium, mercury, PBB, PBDE, DBP, BBP, DEHP, DIBP, and 0.01% for cadmium, or qualify for an exemption to these limits as defined in the Annexes of Directive 2011/65/EU (RoHS2). Finished electrical and electronic equipment products will be CE marked as required by Directive 2011/65/EU. Components may not be CE marked. Additionally, the part numbers that TE has identified as EU ELV compliant have a maximum concentration of 0.1% by weight in homogenous materials for lead, hexavalent chromium, and mercury, and 0.01% for cadmium, or qualify for an exemption to these limits as defined in the Annexes of Directive 2000/53/EC (ELV). Regarding the REACH Regulation, the information TE provides on SVHC in articles for this part number is based on the latest European Chemicals Agency (ECHA) 'Guidance on requirements for substances in articles' posted at this URL: <https://echa.europa.eu/guidance-documents/guidance-on-reach>

### Compatible Parts




TE Part # 1740259-1  
NECTOR S PLUG HV-1 WHITE




TE Part # 2213211-1  
NECTOR S BUS BAR BOOT US

### Also in the Series | NECTOR S



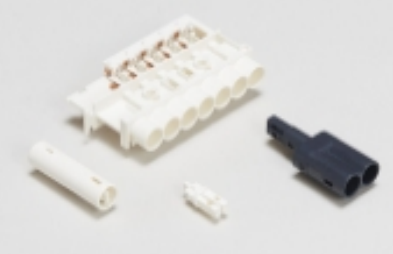
Insertion & Extraction Tools(3)



Lighting Cable Assemblies(1)

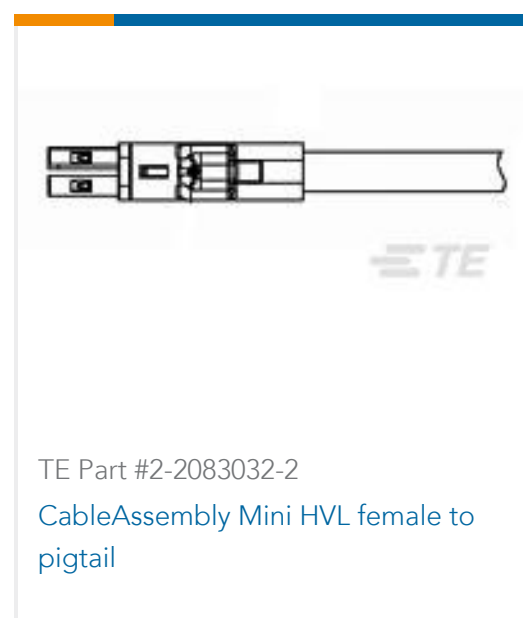
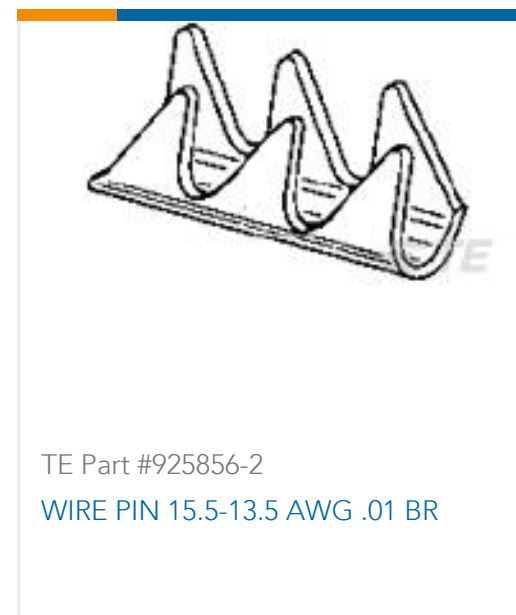
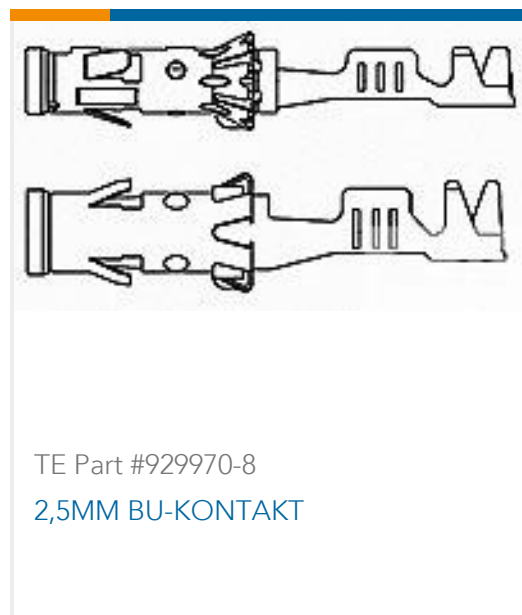


Plug & Socket Lighting Connector Accessories(57)



Plug & Socket Lighting Connectors(54)

### Customers Also Bought



## Documents

### CAD Files

Customer View Model

[ENG\\_CVM\\_CVM\\_293284-1\\_F.2d\\_dxf.zip](#)

English

### 3D PDF

3D

Customer View Model

[ENG\\_CVM\\_CVM\\_293284-1\\_F.3d\\_igs.zip](#)

English

Customer View Model

[ENG\\_CVM\\_CVM\\_293284-1\\_F.3d\\_stp.zip](#)

English

By downloading the CAD file I accept and agree to the [Terms and Conditions](#) of use.

### Datasheets & Catalog Pages

[NECTOR\\_S\\_LINE\\_CONNECTOR\\_BROCHURE](#)

English