

3M™ 4-Wall Header

.100" × .100" Latch/Ejector, Straight, Compliant Pin

3000 Series



- Military (with 3M's 3518 polarizing key) and centerbump polarization
- Optional ejector latches
- Optional polarizing posts
- Snap-in latches
- Mounting holes for securing header to board
- Dependable eye-of-the needle pin design
- RoHS* compliant version (RB plating suffix) available

Date Modified: December 15, 2005

TS-0478-12
Sheet 1 of 3

Physical

Insulation

Material: Glass Filled Polyester
Flammability: UL 94V-0
Color: Gray or Black (RB plating suffix)

Contact

Material: Phosphor Bronze

Plating

Underplating: 100 μ " [2.54 μ m] Nickel
Wiping Area: 30 μ " [0.76 μ m] Gold
Tails: 100 μ " [2.54 μ m] Tin Lead or 300u" [7.62 μ m] Matte Tin (see ordering information)

Terminal Finish Indicator: e3 (for RB plating suffix) (per JESD-97)

Marking: 3M Logo, Part Identification Number & Orientation Triangle

Electrical

Current Rating: 1 A

Insulation Resistance: $> 1 \times 10^9 \Omega$ at 500 Vdc

Withstanding Voltage: 1000 Vrms at Sea Level

Environmental

Temperature Rating: -55°C to +105°C

Moisture Sensitivity Level: 1 (per J-STD-020C)

"RoHS compliant" means that the product or part does not contain any of the following substances in excess of the following maximum concentration values in any homogeneous material, unless the substance is in an application that is exempt under RoHS: (a) 0.1% (by weight) for lead, mercury, hexavalent chromium, polybrominated biphenyls or polybrominated diphenyl ethers; or (b) 0.01% (by weight) for cadmium. Unless otherwise stated by 3M in writing, this information represents 3M's knowledge and belief based upon information provided by third party suppliers to 3M.

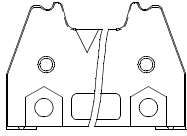
UL File No.: E68080

3M™ 4-Wall Header

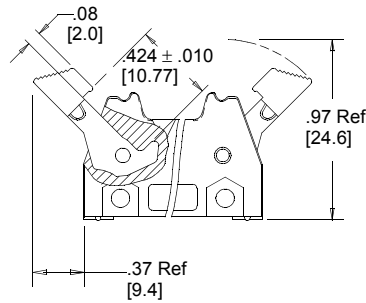
.100" × .100" Latch/Ejector, Straight, Compliant Pin

3000 Series

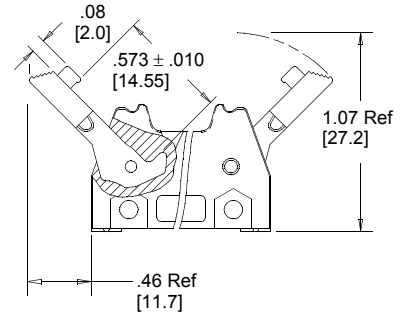
-600T02
Header
with No Ejector/Latch



-620T02
Header
with Short Ejector/Latch
for 3M Sockets without Strain Relief



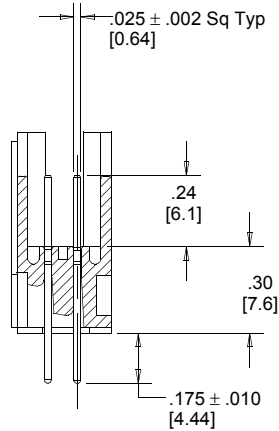
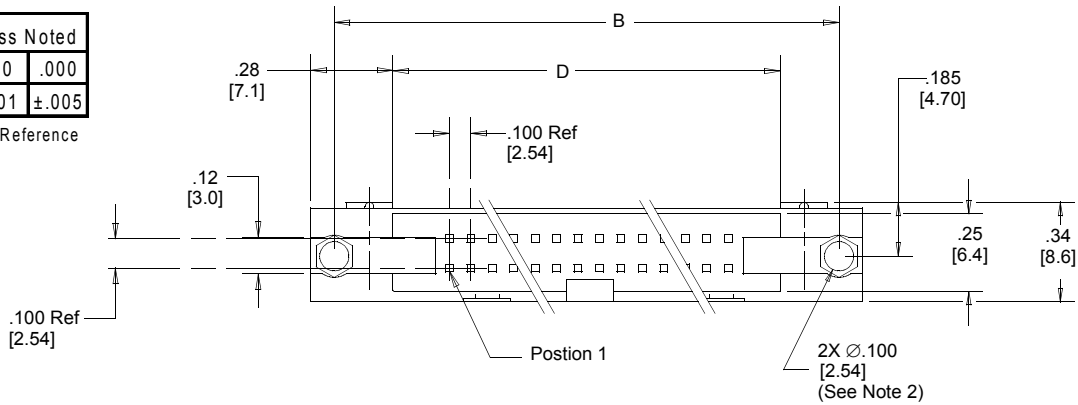
-630T02
Header
with Long Ejector/Latch
for 3M sockets with Strain Relief



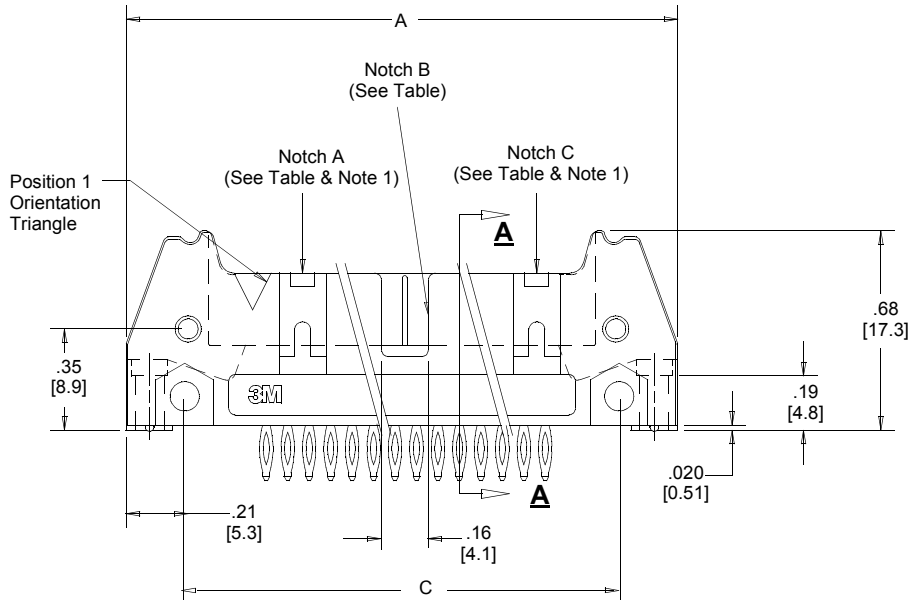
Inch
[mm]

Tolerance Unless Noted			
	.0	.00	.000
inch	±.1	±.01	±.005

[] Dimensions for Reference Only



Section A-A



Notes:

- Notches A & C will accommodate 3M Polarizing Keys 3518.
- Accepts Rear and Front entry mounting hardware:
Rear Entry: #4-24 thread cutting screw
3M Part # 3341-5 (.116 [2.95] dia. mounting hole).
Front Entry (Prior to installation of latch): #2-56 Bolt and Nut
3M Part # 3341-6 (.106 [2.69] dia. mounting hole).



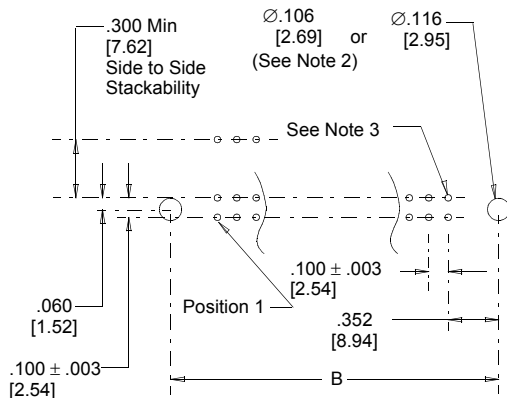
TS-0478-12
Sheet 2 of 3

3M™ 4-Wall Header

.100" × .100" Latch/Ejector, Straight, Compliant Pin

3000 Series

Pin Quantity	3M Part Number	Dimensions				Polarizing Notches Provided	Insertion platen 3442-00XX
		A	B	C	D		
10	3793	1.26 [32.1]	1.105 [28.07]	.865 [21.97]	.71 [18.0]	B C	3442-0048
14	3314	1.46 [37.2]	1.305 [33.15]	1.065 [27.05]	.91 [23.1]	B C	3442-0049
16	3408	1.56 [39.7]	1.405 [35.69]	1.165 [29.59]	1.01 [25.6]	A B C	3442-0050
20	3428	1.76 [44.8]	1.605 [40.77]	1.365 [34.67]	1.21 [30.7]	A B C	3442-0051
24	3627	1.96 [49.9]	1.805 [45.85]	1.565 [39.75]	1.41 [35.8]	A B C	3442-0052
26	3429	2.06 [52.4]	1.905 [48.39]	1.665 [42.29]	1.51 [38.3]	A B C	3442-0053
30	3440	2.26 [57.5]	2.105 [53.47]	1.865 [47.37]	1.71 [43.4]	A B C	3442-0054
34	3431	2.46 [62.6]	2.305 [58.55]	2.065 [52.45]	1.91 [48.5]	A B C	3442-0055
40	3432	2.76 [70.2]	2.605 [66.17]	2.365 [60.07]	2.21 [56.1]	A B C	3442-0056
50	3433	3.26 [82.9]	3.105 [78.87]	2.865 [72.77]	2.71 [68.8]	A B C	3442-0057
60	3372	3.76 [95.6]	3.605 [91.57]	3.365 [85.47]	3.21 [81.5]	A B C	3442-0058
64	3764	3.96 [100.7]	3.805 [96.65]	3.565 [90.55]	3.41 [86.6]	A B C	3442-0059



Recommended Mounting Hole Pattern

Note:

- Listed below are the PCB hole sizes and tolerances recommended for use with 3M's compliant pin header. The insertion force is designed not to exceed 40 pounds per pin and the withdrawal force is not less than 10 pounds per pin.
- Snap-in latch/ejectors (3505-30 & -31) may be added to product by user

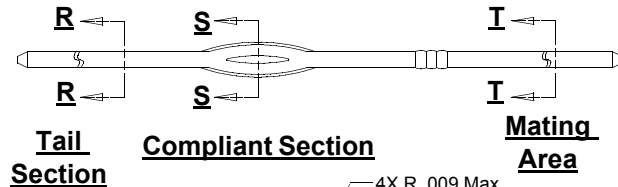
Hole Size for:

Preferred Drilled - .0453 ± .0005
 Acceptable Drilled - .0453 + .0005
 - .0010

After Etchback - .0460 Max
 After Plating - .040 ± .003
 Board thickness - .093 to .150

Plating:

.001 Minimum Copper plating thickness
 .0003 Min Tin plating



4X R .009 Max [0.23]

Section R-R
 R .020 Sym [0.51]

Section S-S

4X .002 ± .001 [0.05]
 Break Edges

Section T-T

Pin Cross Sections

Ordering Information

X XXXX-6X0T02XX

Prefix:
 blank = PBT plastic (gray)
 N = PCT plastic (black)
 (RoHS compliant)

3M Part Number

Plating suffix:
 TC = tin lead tails
 RB = matte tin tails (RoHS compliant)

Latch/Ejector System:
 0 = No latch/ejectors
 2 = Short latch/ejectors
 3 = Long latch/ejectors

Assembly Equipment: Use 3442-00XX platen (see chart above) and appropriate commercial arbor press to press header into pc board.

TS-0478-12
 Sheet 3 of 3

Important Notice

All statements, technical information, and recommendations related to 3M's products are based on information believed to be reliable, but the accuracy or completeness is not guaranteed. Before using this product, you must evaluate it and determine if it is suitable for your intended application. You assume all risks and liability associated with such use. Any statements related to the product which are not contained in 3M's current publications, or any contrary statements contained on your purchase order shall have no force or effect unless expressly agreed upon, in writing, by an authorized officer of 3M.



3M Electronics

6801 River Place Blvd.
Austin, TX 78726-9000
800/225-5373
www.3M.com/electronics

Warranty; Limited Remedy; Limited Liability.

This product will be free from defects in material and manufacture for a period of 90 days from the time of purchase. **3M MAKES NO OTHER WARRANTIES INCLUDING, BUT NOT LIMITED TO, ANY IMPLIED WARRANTY OF MERCHANTABILITY OR FITNESS FOR A PARTICULAR PURPOSE.** If this product is defective within the warranty period stated above, your exclusive remedy shall be, at 3M's option, to replace or repair the 3M product or refund the purchase price of the 3M product. **Except where prohibited by law, 3M will not be liable for any indirect, special, incidental or consequential loss or damage arising from this 3M product, regardless of the legal theory asserted.**



Minimum 10%
Post-Consumer Fiber

Printed in USA.

© 3M 2005

Search This Product Catalog

By Keyword

- 3M Interconnect Solutions Home
 - Product Catalog for Interconnects
 - 3M™ Backplane Interconnects
 - 3M™ Breadboards & Test Clips
 - 3M™ Cable
 - 3M™ Copper Cable Assemblies
 - 3M™ Copper Interconnects
 - 3M™ Novec™ Aerosol Cleaners
 - 3M™ Textool™ Test and Burn-In Sockets
 - 3M™ Tools and Accessories

- Where to Buy
 - Locate Distributor
 - Locate Sales Contact
- Other Tools
 - Find Products
 - New Products
 - Product Status Changes
 - Industry Solutions
 - News & Events
 - Regulatory Issues
- Related Sites
 -

[Product Catalog for Interconnects](#) > [3M™ Copper Interconnects](#) . . . [3M™ .100 in. 4-Wall Header](#) > [3M™ .100 in. 4-Wall Header, 10 Contacts, 3793 Series](#) >

3M™ .100 in. 4-Wall Header, 10 Contacts, RoHS Compliant, 3793-630T02RB

 [Printer-friendly format](#)



.100" x .100" Latch/Ejector, Straight, Compliant Pin, Long Latch/Ejectors, Matte Tin Tails. Available options are 3518 Polarizing Key, 3505 Ejector Latch and 3201 Polarizing Post, all ordered separately.

[\[click to enlarge\]](#)

3M Id : 80-0009-0269-4
GTIN(UPC/EAN) : 0 00 51111 65993 9



Check current distributor inventory now!

Additional Information

- Military (with 3M`s 3518 polarizing key) and center bump polarization
- Optional ejector latches
- Mounting holes for securing header to board
- Snap-in latches
- Optional polarizing posts

Learn More . . .

[3M™ .100 in. 4-Wll Hdr.,.100"x .100"L/E,Strt.,Cmpl.Pin,TS0478 - Data Sheet \(PDF 405.4 K\)](#)

Please Note:

Adobe® Acrobat® Reader is required to view PDF documents.

- **Component Handling Solutions**
- **Microinterconnect Solutions**
- **All Electronic Solutions**

- Dependable eye-of-the-needle pin design
- RoHS compliant version (RB plating suffix) available

For more information, refer to TS0478 (TS-0478)

