

3-353294-0 ✓ ACTIVE

## AMP Mini CT

TE Internal #: 3-353294-0

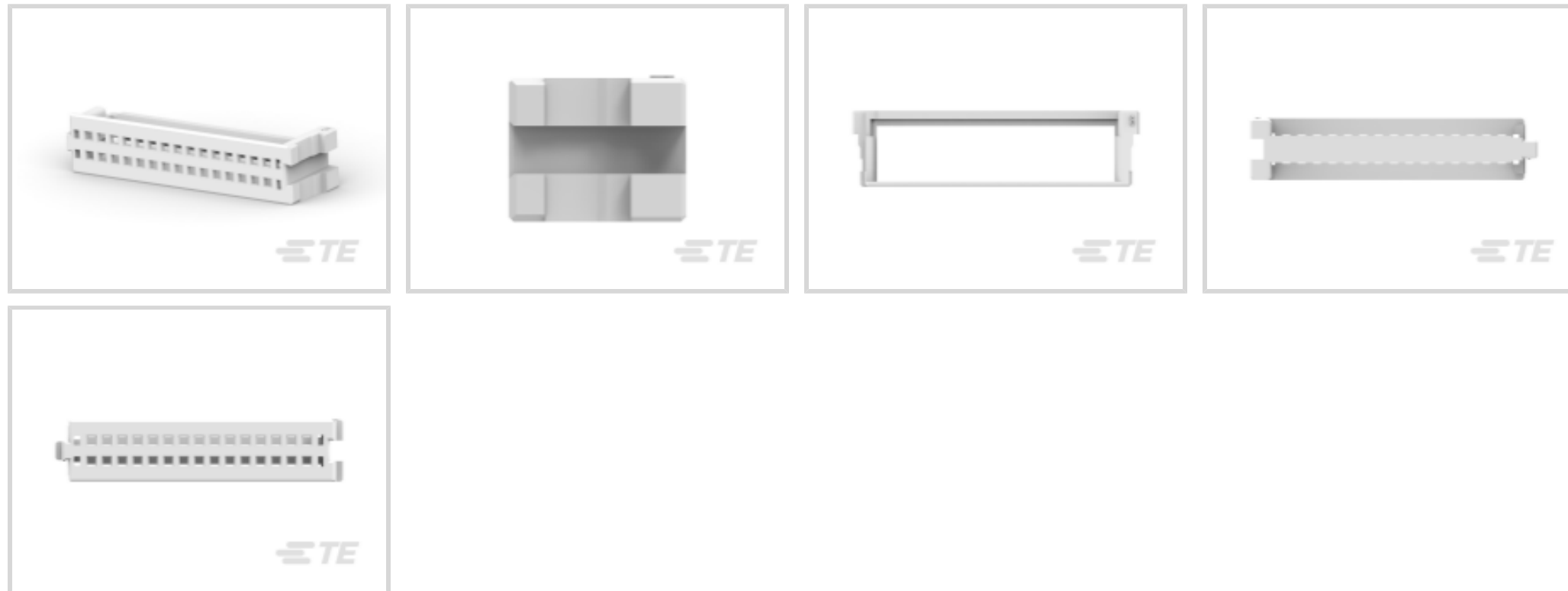
PCB Connector Mounting, Holder, 30 Position, .059 in [1.5 mm]

Centerline, Natural, -30 – 105 °C [-22 – 221 °F], AMP Mini CT

[View on TE.com >](#)



Connectors > PCB Connectors > PCB Connector Accessories > PCB Connector Hardware > Mounting



Connector Mounting Accessory Type: **Holder**

Number of Positions: **30**

Centerline (Pitch): **1.5 mm [ .059 in ]**

Primary Product Color: **Natural**

Sealable: **No**

### Features

#### Product Type Features

Connector Mounting Accessory Type	Holder
Sealable	No

#### Configuration Features

Number of Positions	30
---------------------	----

#### Body Features

Primary Product Color	Natural
-----------------------	---------

#### Housing Features

Centerline (Pitch)	1.5 mm[.059 in]
--------------------	-----------------

#### Usage Conditions

Operating Temperature Range	-30 – 105 °C[-22 – 221 °F]
-----------------------------	----------------------------

#### Industry Standards

UL Flammability Rating	UL 94V-0
------------------------	----------

#### Packaging Features

Packaging Quantity	500
--------------------	-----



Packaging Method

Bag

### Product Compliance

[For compliance documentation, visit the product page on TE.com>](#)

EU RoHS Directive 2011/65/EU

Compliant

EU ELV Directive 2000/53/EC

Compliant

China RoHS 2 Directive MIIT Order No 32, 2016

No Restricted Materials Above Threshold

EU REACH Regulation (EC) No. 1907/2006

Current ECHA Candidate List: JUNE 2022 (224)  
 Candidate List Declared Against: JAN 2022 (223)  
 SVHC > Threshold:  
 Not Yet Reviewed

Halogen Content

Low Halogen - Br, Cl, F, I < 900 ppm per homogenous material. Also BFR/CFR/PVC Free

Solder Process Capability

Not applicable for solder process capability

#### Product Compliance Disclaimer

This information is provided based on reasonable inquiry of our suppliers and represents our current actual knowledge based on the information they provided. This information is subject to change. The part numbers that TE has identified as EU RoHS compliant have a maximum concentration of 0.1% by weight in homogenous materials for lead, hexavalent chromium, mercury, PBB, PBDE, DBP, BBP, DEHP, DIBP, and 0.01% for cadmium, or qualify for an exemption to these limits as defined in the Annexes of Directive 2011/65/EU (RoHS2). Finished electrical and electronic equipment products will be CE marked as required by Directive 2011/65/EU. Components may not be CE marked. Additionally, the part numbers that TE has identified as EU ELV compliant have a maximum concentration of 0.1% by weight in homogenous materials for lead, hexavalent chromium, and mercury, and 0.01% for cadmium, or qualify for an exemption to these limits as defined in the Annexes of Directive 2000/53/EC (ELV). Regarding the REACH Regulation, the information TE provides on SVHC in articles for this part number is based on the latest European Chemicals Agency (ECHA) 'Guidance on requirements for substances in articles' posted at this URL: <https://echa.europa.eu/guidance-documents/guidance-on-reach>

### Compatible Parts



TE Part # CAT-AM7053-C7671  
 MINI COMMON TERMINATION CONTACTS



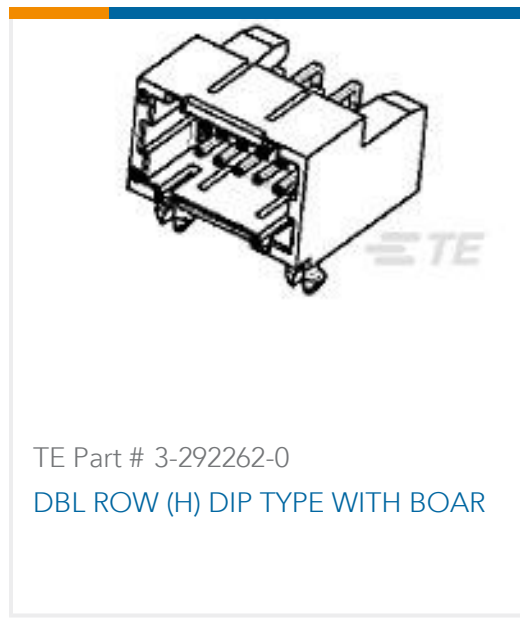
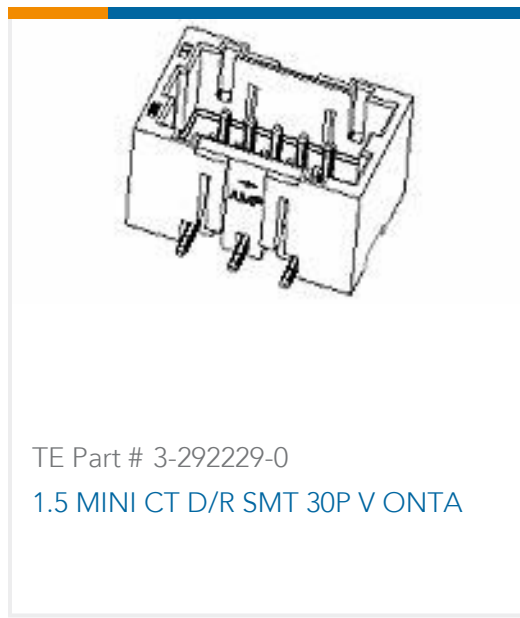
TE Part # 3-292208-0  
 MINI CT D/R DIP 30P V NAT



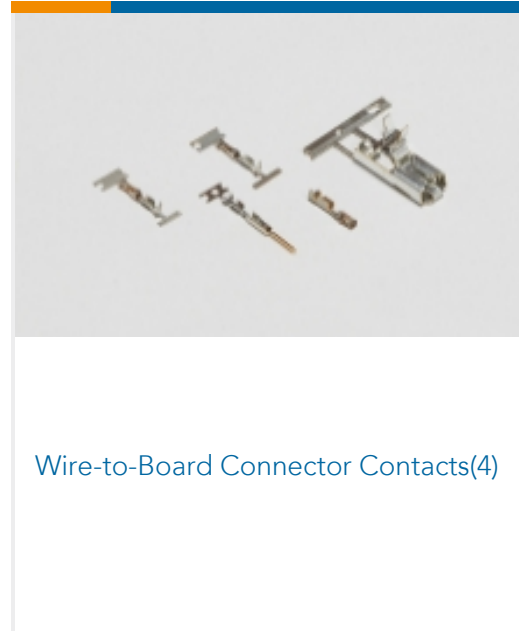
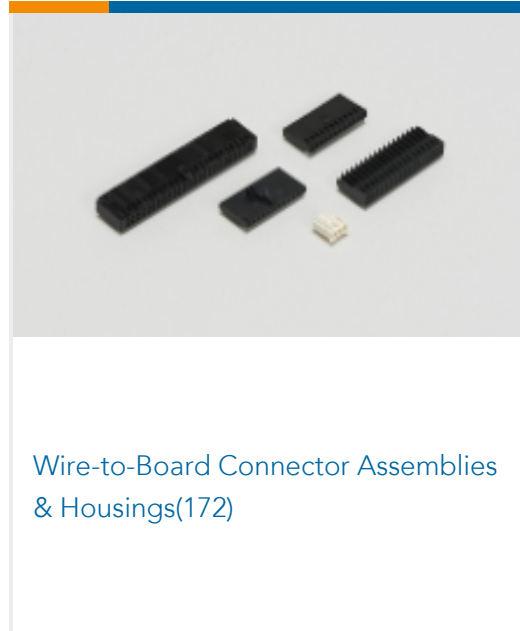
TE Part # 1-353293-3  
 MINI CT MT REC ASSY 13P GRAY



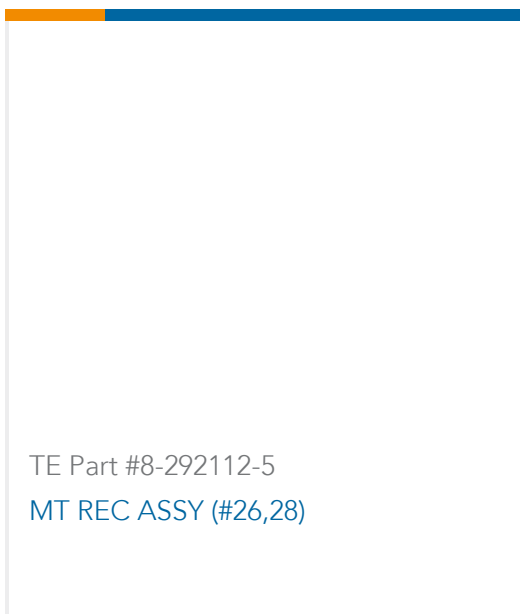
TE Part # 1-353293-5  
 1.5 MINI-CT RECEPTACLE



## Also in the Series | AMP Mini CT



## Customers Also Bought





## Documents

### Product Drawings

[AMP MINI D/R HDR HSG 30P NATU](#)

English

---

### CAD Files

[3D PDF](#)

English

**Customer View Model**

[ENG\\_CVM\\_3-353294-0\\_E.3d\\_igs.zip](#)

English

**Customer View Model**

[ENG\\_CVM\\_3-353294-0\\_E.3d\\_stp.zip](#)

English

**Customer View Model**

[ENG\\_CVM\\_3-353294-0\\_E.2d\\_dxf.zip](#)

English

By downloading the CAD file I accept and agree to the [Terms and Conditions](#) of use.

---

### Datasheets & Catalog Pages

[6-1773454-5\\_AMP\\_Mini\\_CT\\_Connector\\_Series\\_QRG](#)

English

---

### Product Specifications

[Application Specification](#)

English

---

### Product Environmental Compliance

[MD\\_3-353294-0\\_04202016332\\_dmtec](#)

English

[MD\\_3-353294-0\\_04202016332\\_dmtec](#)

English