

343348-1 ✓ ACTIVE

TE Internal #: 343348-1

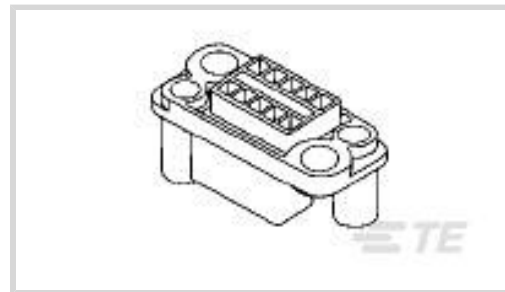
Housing, Receptacle, Wire-to-Board / Wire-to-Wire, 10 Position, 3.7 mm [.148 in] Centerline, 2 Row, Black, Wire & Cable, Power & Signal, Panel Mount

[View on TE.com >](#)



[Connectors >](#) [PCB Connectors >](#) [Wire-to-Board Connectors >](#) [Wire-to-Board Connector Assemblies & Housings >](#)

STANDARD DRAWER RECEPTACLE HOUSINGS



Connector Product Type: **Housing**

Connector & Housing Type: **Receptacle**

Connector System: **Wire-to-Board, Wire-to-Wire**

Number of Positions: **10**

Centerline (Pitch): **3.7 mm [.148 in]**

[All STANDARD DRAWER RECEPTACLE HOUSINGS \(12\)](#)

Features

Product Type Features

Connector Product Type	Housing
Connector & Housing Type	Receptacle
Connector System	Wire-to-Board, Wire-to-Wire
Sealable	No
Connector & Contact Terminates To	Wire & Cable

Configuration Features

Number of Signal Positions	10
Number of Positions	10
Number of Rows	2

Body Features

Drawer Style	Miniature Power
--------------	-----------------

Contact Features

Contact Type	Pin
Contact Base Material	Phosphor Bronze
Contact Current Rating (Max)	4 A

Mechanical Attachment



PCB Mount Retention	Without
Mating Retention	Without
Connector Mounting Type	Panel Mount

Housing Features

Housing Material	PBT GF
Centerline (Pitch)	3.7 mm [.148 in]
Housing Color	Black

Dimensions

Connector Length	44 mm [1.732 in]
Connector Height	18.5 mm [.728 in]
Connector Width	20.35 mm
Wire Size	.12 – .4 mm ²
Row-to-Row Spacing	7.84 mm [.309 in]

Usage Conditions

Operating Temperature Range	-10 – 80 °C [14 – 176 °F]
-----------------------------	---------------------------

Operation/Application

Circuit Application	Power & Signal
---------------------	----------------

Industry Standards

UL Flammability Rating	UL 94V-0
------------------------	----------

Packaging Features

Packaging Method	Box & Carton
------------------	--------------

Other

Comment	Mates to PN 343347-1
---------	----------------------

Product Compliance

[For compliance documentation, visit the product page on TE.com>](#)

EU RoHS Directive 2011/65/EU	Compliant
EU ELV Directive 2000/53/EC	Compliant
China RoHS 2 Directive MIIT Order No 32, 2016	No Restricted Materials Above Threshold
EU REACH Regulation (EC) No. 1907/2006	Current ECHA Candidate List: JUNE 2022 (224) Candidate List Declared Against: JAN 2022 (223)



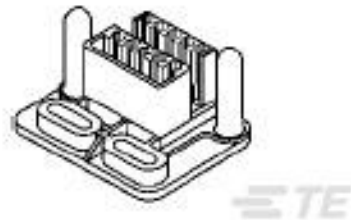
SVHC > Threshold:
Not Yet Reviewed

Halogen Content	Not Low Halogen - contains Br or Cl > 900 ppm.
Solder Process Capability	Not applicable for solder process capability

Product Compliance Disclaimer

This information is provided based on reasonable inquiry of our suppliers and represents our current actual knowledge based on the information they provided. This information is subject to change. The part numbers that TE has identified as EU RoHS compliant have a maximum concentration of 0.1% by weight in homogenous materials for lead, hexavalent chromium, mercury, PBB, PBDE, DBP, BBP, DEHP, DIBP, and 0.01% for cadmium, or qualify for an exemption to these limits as defined in the Annexes of Directive 2011/65/EU (RoHS2). Finished electrical and electronic equipment products will be CE marked as required by Directive 2011/65/EU. Components may not be CE marked. Additionally, the part numbers that TE has identified as EU ELV compliant have a maximum concentration of 0.1% by weight in homogenous materials for lead, hexavalent chromium, and mercury, and 0.01% for cadmium, or qualify for an exemption to these limits as defined in the Annexes of Directive 2000/53/EC (ELV). Regarding the REACH Regulation, the information TE provides on SVHC in articles for this part number is based on the latest European Chemicals Agency (ECHA) 'Guidance on requirements for substances in articles' posted at this URL: <https://echa.europa.eu/guidance-documents/guidance-on-reach>

Compatible Parts



TE Part # 343347-1
DRAWER CONNECTOR PLUG HSG10
WA

Customers Also Bought



TE Part #1-5747299-6
15 RCPT SP/FMS SCRLK



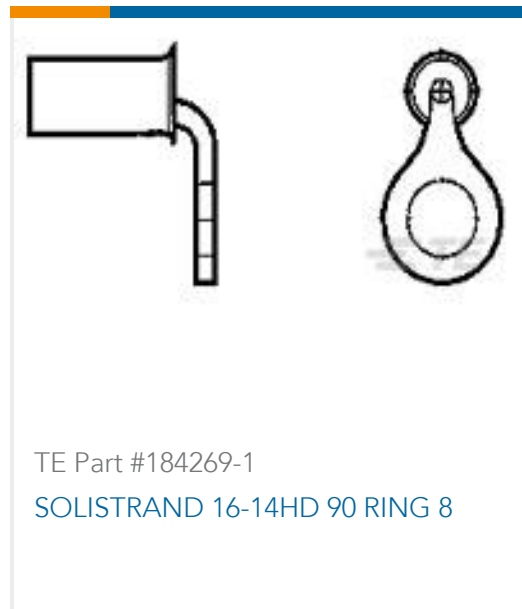
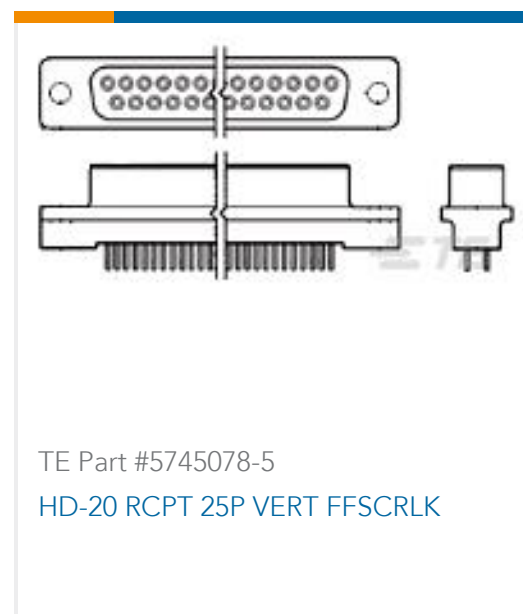
TE Part #2102771-1
DC, 7Row, Center, MULTIGIG RT 2R



TE Part #63896-1
250 FASTON REC 16-12 AWG BR



TE Part #2-350375-0
MR SPLT GROMET .296 DIA BLK LF



Documents

CAD Files

3D PDF

3D

Customer View Model

[ENG_CVM_CVM_343348-1_99_c-343348-1-99.2d_dxf.zip](#)

English

Customer View Model

[ENG_CVM_CVM_343348-1_99_c-343348-1-99.3d_igs.zip](#)

English

Customer View Model

[ENG_CVM_CVM_343348-1_99_c-343348-1-99.3d_stp.zip](#)

English

By downloading the CAD file I accept and agree to the [Terms and Conditions](#) of use.

Datasheets & Catalog Pages

[POWER_CONNECTORS_CATALOG_SEC02_CABLE_MOUNTED](#)

English

Product Specifications

Application Specification

English

Application Specification

Japanese

AMP-LEAF Contact

English

Agency Approvals

343348-1

Housing, Receptacle, Wire-to-Board / Wire-to-Wire, 10 Position, 3.7 mm [.148 in]
Centerline, 2 Row, Black, Wire & Cable, Power & Signal, Panel Mount



Agency Approval Document

English