

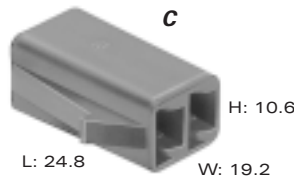


Using a proven terminal interface technology and an enhanced crimp configuration, 56 Series Device Connections remain an industry standard. A number of standard industry device connection systems are immediately available.

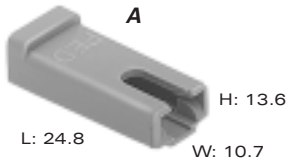


56 SERIES FEMALE TERMINALS UNSEALED

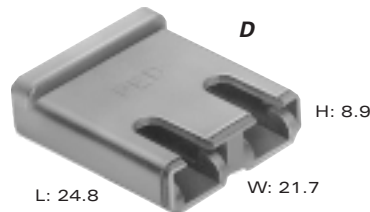
Part #	Cable Range (mm ²)	Material	Plating
12124512*	0.80-0.50	Brass	Tin
12124513	0.80-0.50	Brass	Tin
12124515*	2.0-1.0	Brass	Tin
12124517	2.0-1.0	Brass	Tin
12124518*	3.0	Brass	Tin
12124519	3.0	Brass	Tin
12124520*	0.80-0.50 (2 Req'd.)	Brass	Tin
12124522*	2.0-1.0 (2 Req'd.)	Brass	Tin
12124523	2.0-1.0 (2 Req'd.)	Brass	Tin



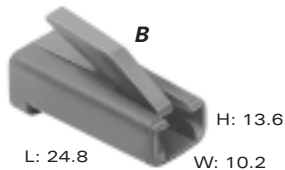
C PART NO: 08900863
 DESCRIPTION: Connector 2F
 SIZE: 24.8L x 10.6H x 19.2W
 COLOR: Black
 MATERIAL: PP
 TERMINALS: See Above, 56 Series
 TYPICAL APP: Switch



A PART NO: 12015306
 DESCRIPTION: Connector 1F
 SIZE: 24.8L x 13.6H x 10.7W
 COLOR: Gray
 MATERIAL: PA66 HS IM
 TERMINALS: See Above, 56 Series
 TYPICAL APP: Switch



D PART NO: 02973407
 DESCRIPTION: Connector 2F
 SIZE: 24.8L x 8.9H x 21.7W
 COLOR: Black
 MATERIAL: PP
 TERMINALS: See Above, 56 Series
 TYPICAL APP: Various

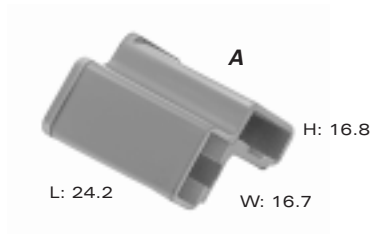


B PART NO: 12004267
 DESCRIPTION: Connector 1F
 SIZE: 24.8L x 13.6H x 10.2W
 COLOR: Black
 MATERIAL: PP IM
 TERMINALS: See Above, 56 Series
 TYPICAL APP: Horn

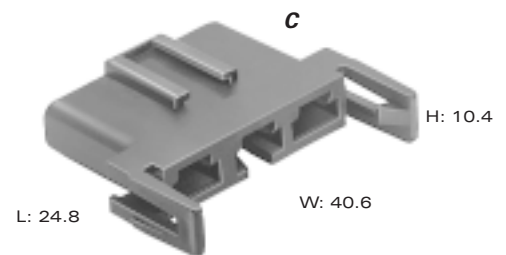
SECTION NOTES:

Contact your regional support representative at the number listed below.

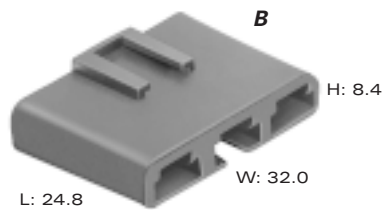
- Nib on terminal provides increased retention when used with specific mating blade.



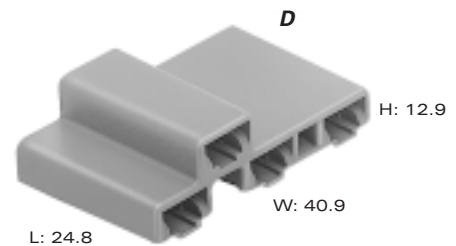
A PART NO: 02973385
 DESCRIPTION: Connector 2F
 SIZE: 24.2L x 16.8H x 16.7W
 COLOR: Black
 MATERIAL: PP
 TERMINALS: See Page 314
 TYPICAL APP: Various



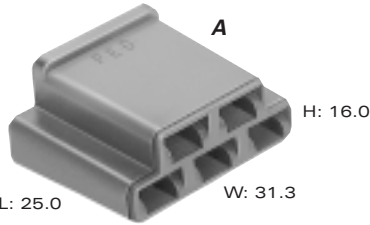
C PART NO: 08905790
 DESCRIPTION: Connector 3F
 SIZE: 24.8L x 10.4H x 40.6W
 COLOR: Black
 MATERIAL: PP
 TERMINALS: See Page 314
 TYPICAL APP: Switch



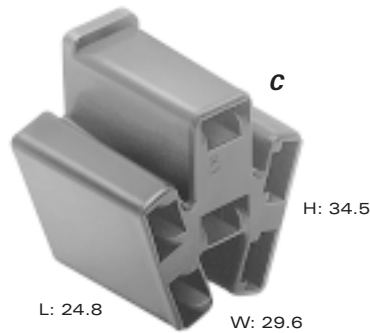
B PART NO: 02984959
 DESCRIPTION: Connector 3F
 SIZE: 24.8L x 8.4H x 32.0W
 COLOR: Black
 MATERIAL: PP
 TERMINALS: See Page 314
 TYPICAL APP: Various



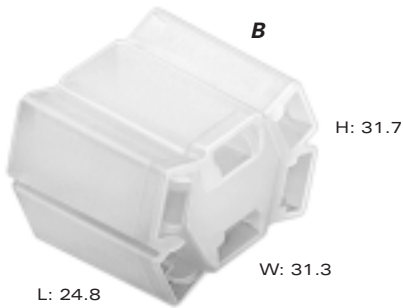
D PART NO: 02965019
 DESCRIPTION: Connector 4F
 SIZE: 24.8L x 12.9H x 40.9W
 COLOR: Gray
 MATERIAL: PP 40% TF
 TERMINALS: See Page 314
 TYPICAL APP: Relay



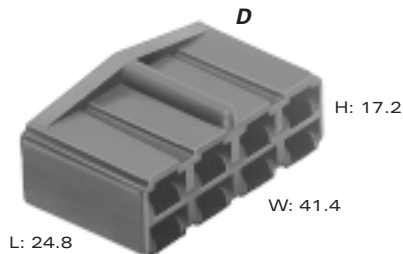
A PART NO: **12004327**
 DESCRIPTION: Connector 5F
 SIZE: 25.0L x 16.0H x 31.3W
 COLOR: Brown
 MATERIAL: PP
 TERMINALS: See Page 314
 TYPICAL APP: Various



C PART NO: **02984017**
 DESCRIPTION: Connector 6F
 SIZE: 24.8L x 34.5H x 29.6W
 COLOR: Black
 MATERIAL: PP
 TERMINALS: See Page 314
 TYPICAL APP: Switch



B PART NO: **12052978**
 DESCRIPTION: Connector 6F
 SIZE: 24.8L x 31.7H x 31.3W
 COLOR: Natural
 MATERIAL: PP
 TERMINALS: See Page 314
 TYPICAL APP: Switch



D PART NO: **02965977**
 DESCRIPTION: Connector 8F
 SIZE: 24.8L x 17.2H x 41.4W
 COLOR: Black
 MATERIAL: PP
 TERMINALS: See Page 314
 TYPICAL APP: Various