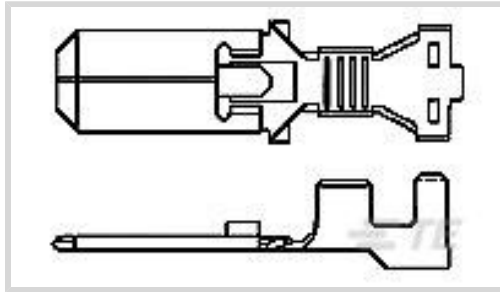




Terminals & Splices > Automotive Terminals > Econoseal Receptacles and Tabs



Terminal Type: **Tab**

Mating Tab Width: **6.3 mm [.248 in]**

Mating Tab Thickness: **.8 mm [.031 in]**

Terminal Transmits: **0 – 24 A (Low Power)**

Wire Size: **20 – 15 AWG**

[All Econoseal Receptacles and Tabs \(45\)](#)

Features

Product Type Features

Sealable	Yes
----------	-----

Body Features

Terminal Seal Type	Single Wire Seal (SWS)
--------------------	------------------------

Contact Features

Contact Size	6.35mm
Contact Fabrication	Stamped & Formed
Typical Current Rating	20 A
Crimp Type	F-Crimp
Terminal Type	Tab
Mating Tab Width	6.3 mm [.248 in]
Mating Tab Thickness	.8 mm [.031 in]
Interface Plating	Tin (Sn)
Contact Termination Area Plating Material	Tin (Sn)

Termination Features

Termination Method to Wire & Cable	Crimp
Product Terminates To	Wire

Dimensions

Wire Size	.5 – 1.5 mm ²
Wire Size Search	15 AWG, 16 AWG, 17 AWG, 18 AWG, 19 AWG, 20 AWG
Wire Insulation Diameter	1.6 – 2.4 mm [.063 – .094 in]

Usage Conditions

Insulation Option	Uninsulated
-------------------	-------------

Operation/Application

Compatible With Wire Base Material	Copper
------------------------------------	--------

Packaging Features

Packaging Method	Reel
Packaging Quantity	3000

Other

Terminal Transmits	0 – 24 A (Low Power)
--------------------	----------------------

Product Compliance

[For compliance documentation, visit the product page on TE.com>](#)

EU RoHS Directive 2011/65/EU	Compliant
EU ELV Directive 2000/53/EC	Compliant
China RoHS 2 Directive MIIT Order No 32, 2016	No Restricted Materials Above Threshold
EU REACH Regulation (EC) No. 1907/2006	Current ECHA Candidate List: JUNE 2022 (224) Candidate List Declared Against: JAN 2022 (223) SVHC > Threshold: Not Yet Reviewed
Halogen Content	Low Halogen - Br, Cl, F, I < 900 ppm per homogenous material. Also BFR/CFR/PVC Free
Solder Process Capability	Not applicable for solder process capability

Product Compliance Disclaimer

This information is provided based on reasonable inquiry of our suppliers and represents our current actual knowledge based on the information they provided. This information is subject to change. The part numbers that TE has identified as EU RoHS compliant have a maximum concentration of 0.1% by weight in homogenous materials for lead, hexavalent chromium, mercury, PBB, PBDE, DBP, BBP, DEHP, DIBP, and 0.01% for cadmium, or qualify for an exemption to these limits as defined in the Annexes of Directive 2011/65/EU (RoHS2). Finished electrical and electronic equipment products will be CE marked as required by Directive 2011/65/EU. Components may not be CE marked. Additionally, the part numbers that TE has identified as EU ELV compliant have a maximum concentration of 0.1% by weight in homogenous

materials for lead, hexavalent chromium, and mercury, and 0.01% for cadmium, or qualify for an exemption to these limits as defined in the Annexes of Directive 2000/53/EC (ELV). Regarding the REACH Regulation, the information TE provides on SVHC in articles for this part number is based on the latest European Chemicals Agency (ECHA) 'Guidance on requirements for substances in articles' posted at this URL: <https://echa.europa.eu/guidance-documents/guidance-on-reach>

Compatible Parts

TE Part # 2-2150163-1
OC-PA-E-FM-080F2300-001-0037

TE Part # 2-2150163-2
OCEAN_2.0_Applicator-E-080F2300

TE Part # 2150163-2
OCEAN_2.0_Applicator-E-080F2300

TE Part # 344525-1
ASSY TOOL FOR ECONOSEAL 3HIGH

TE Part # 7-2150163-2
OCEAN_2.0_Applicator-E-080F2300

TE Part # 7-2150163-7
OCEAN_2.0_SPARE_PART_KIT-080F2300

TE Part # 724713-1
.250 TAB EXT. TOOL

TE Part # 344073-1
8 WAY TAB HSG.BLACK

Also in the Series | Econoseal

Automotive Connector Caps & Covers (1)

Automotive Connector Locks & Position Assurance(25)

Automotive Housings(62)

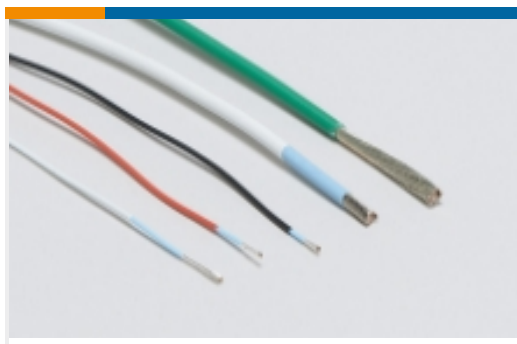
Automotive Seals & Cavity Plugs(17)

Automotive Terminals(47)

Insertion & Extraction Tools(7)

Other Automotive Connector Accessories(5)

PCB Headers & Receptacles(4)



Primary Wire(1)

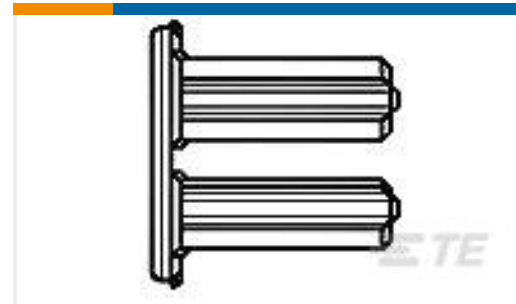
Customers Also Bought



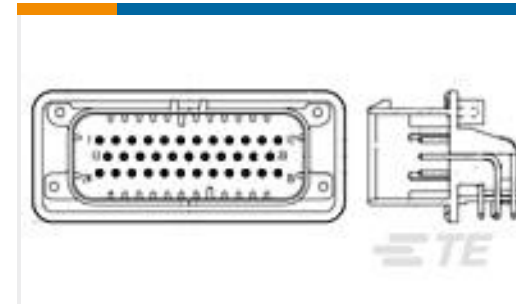
TE Part #1-967624-1
JUN-POW-TIM HOUSING 18POS



TE Part #282106-1
AMP SUPERSEAL 1.5MM,
CONNECTOR HOUSING



TE Part #967634-1
2. RETAINER FOR 18POS



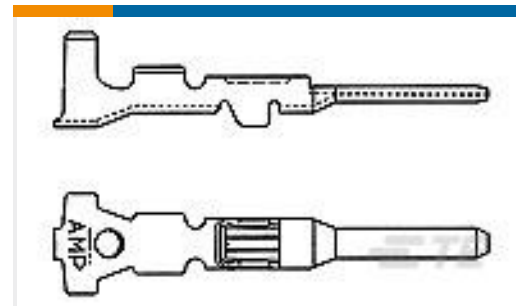
TE Part #776163-1
35P AMPSEAL HDR ASSY W/GASKET



TE Part #182916-1
CPC SQ.FL.RCPT STD SEX



TE Part #929972-1
ROUND CONNECTOR SYSTEM, PIN
AND SOCKET



TE Part #282109-1
MINI MIC TAB CONTACT



TE Part #964284-2
JPT A REC 2.8 Contact SRC Sn

Documents

Product Drawings

[.250" SPEC. F.TAB.\(PLATED\)](#)

English

CAD Files

Customer View Model

[ENG_CVM_344069-1_A.3d_igs.zip](#)

English

Customer View Model

[ENG_CVM_344069-1_A.3d_stp.zip](#)

English

Customer View Model

[ENG_CVM_344069-1_A.2d_dxf.zip](#)

English

3D PDF

English

By downloading the CAD file I accept and agree to the [Terms and Conditions](#) of use.



[Datasheets & Catalog Pages](#)

[Econoseal Connector Series](#)

English