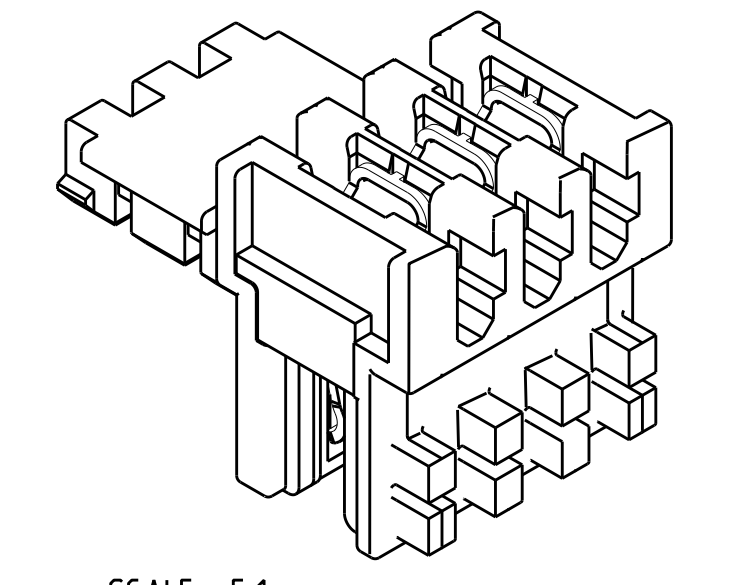
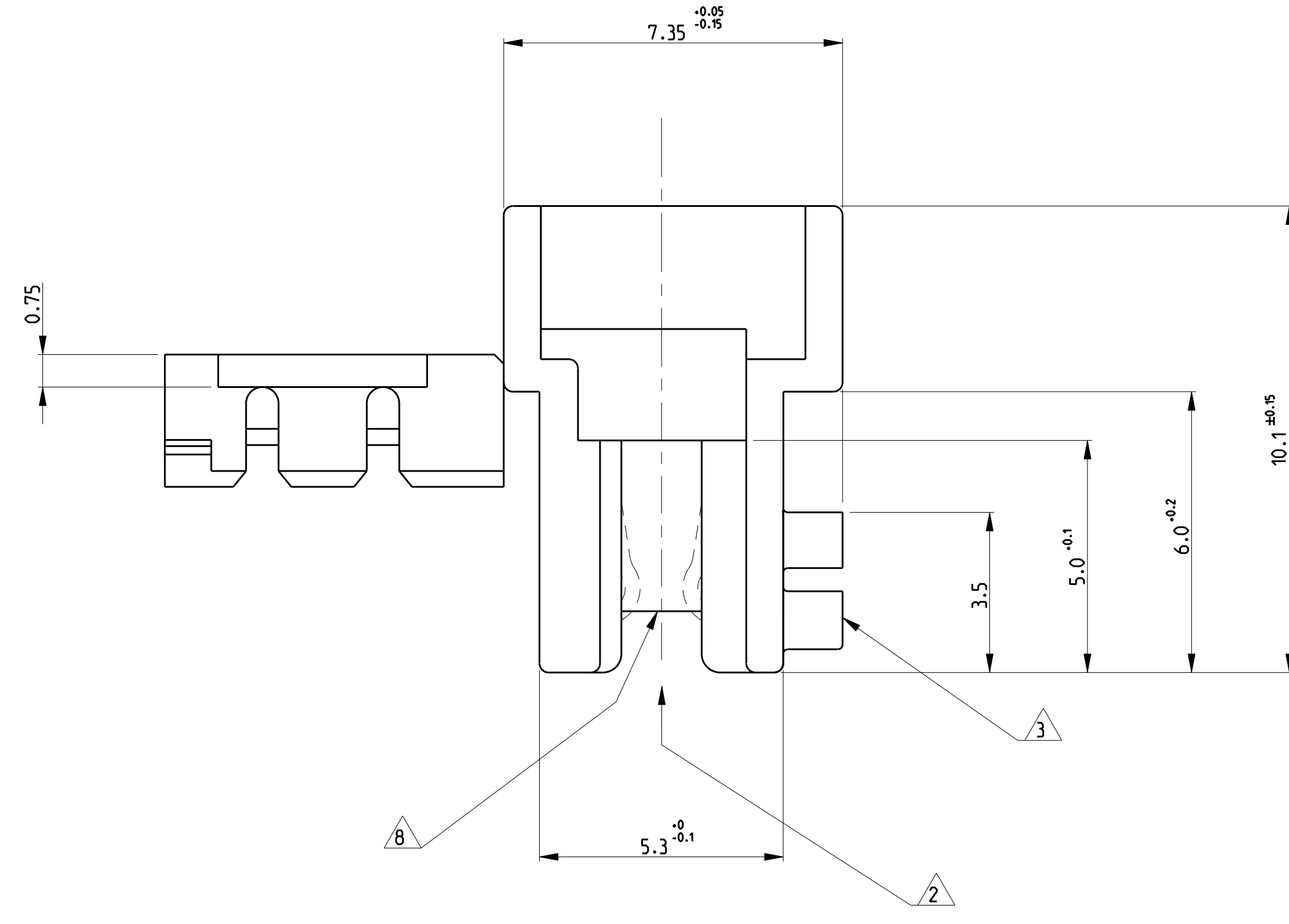
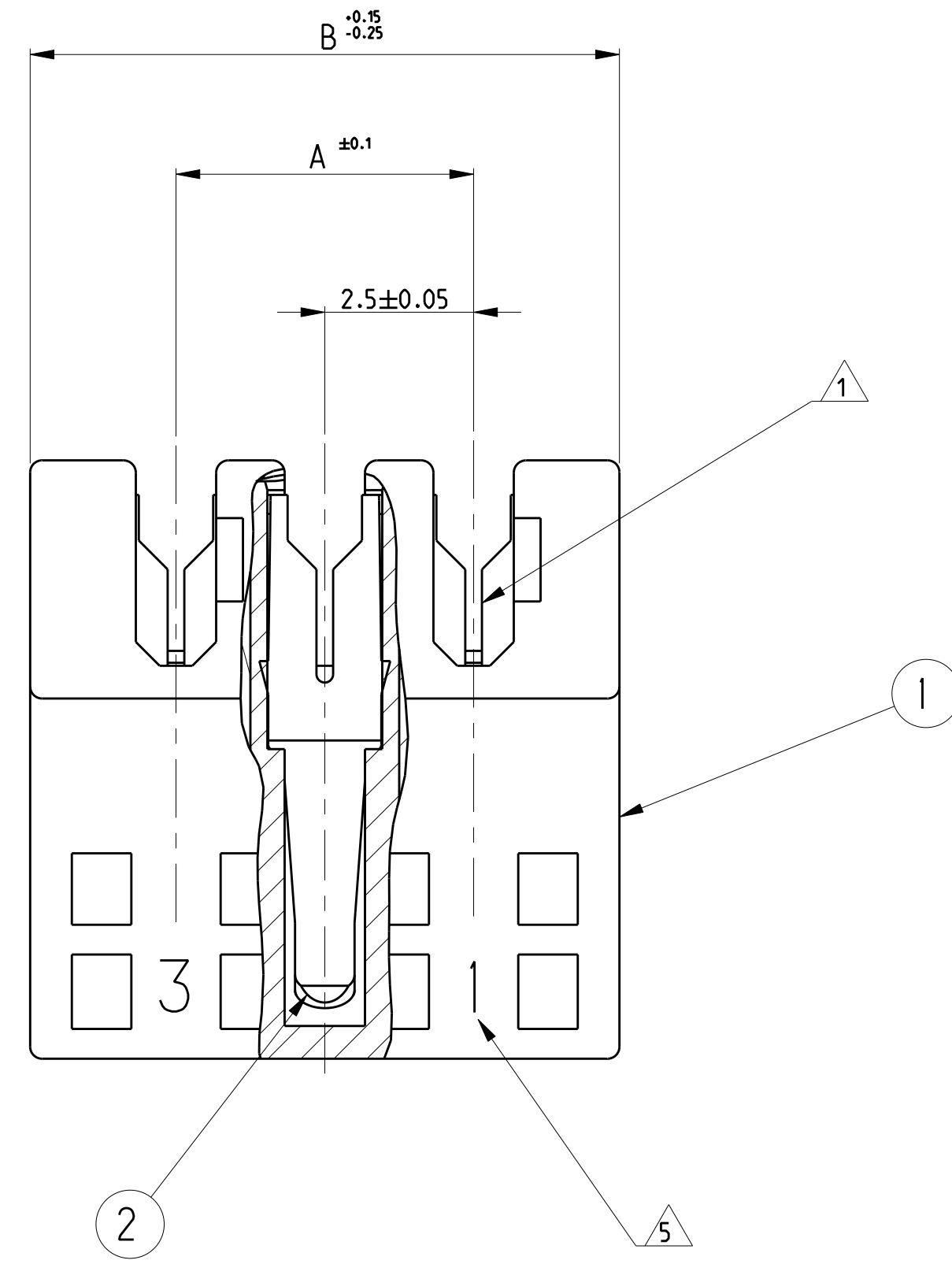
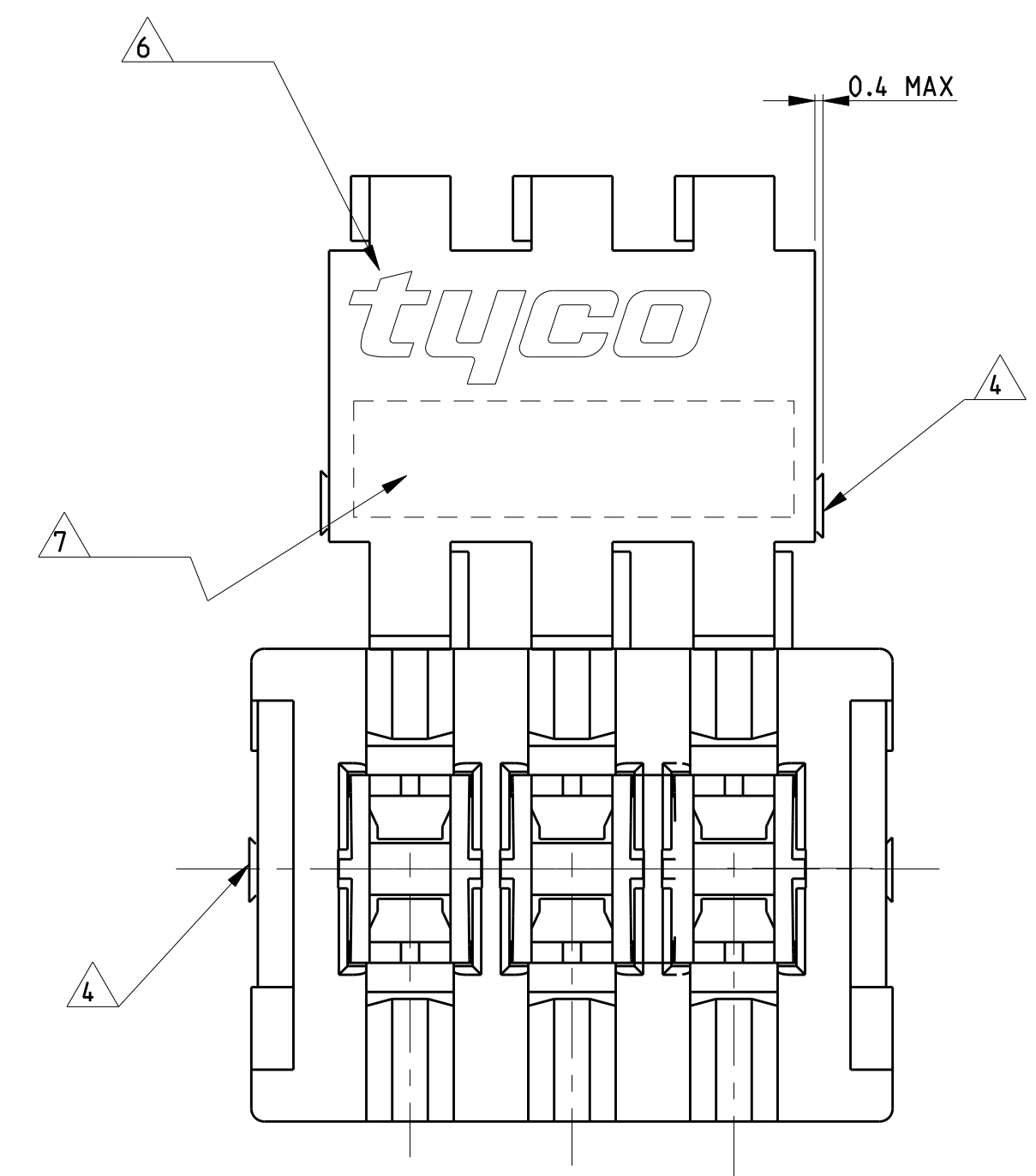


REV	DATE	BY	CHK	APPV	DESCRIPTION
A15	13AUG2015	NK	WW		REVISED PER ECR-15-012073
A17	17NOV2016	FV	RR		ECR-16-016334
A18	19JUL2017	RS	DC		ECR-17-009651
A19	22NOV2018	BW	DC		REVISED PER ECR-18-017204



SCALE 5:1  
 P/N 0-284932-3 AS SHOWN



- 1 WIRE RANGE : STRANDED 0.22-0.35 mm<sup>2</sup> (INS. DIA. 1.30±0.1)
- 2 MATING PART: PCB FRAME P/N 964575 (PCB THK 1.5±0.14 COPPER CLADDING INCLUDED) SEE PRODUCT SPEC. 108-18056 FOR FRAME APPLICATION
- 3 KEYING RIBS TO BE REMOVED BY TERMINATION MACHINE
- 4 CUT OFF DIMENSION DUE TO PRODUCTION PROCESS
- 5 CIRCUIT No. IDENTIFICATION
- 6 TE TRADEMARK (OPTIONAL POSITION)
- 7 TAMPOGRAPHIC COLOUR CODE AREA (P/Ns IDENTIFICATION BEFORE CRIMPING)
- 8 POLARIZATION RIB BETWEEN CAVITIES. (SEE SHEET 2 TYPICAL POLARIZATION CUTOFF ON PCB)
- 9 PRELIMINARY PART NOT RELEASED FOR PRODUCTION.
- 10 X - CAVITY LOADED WITH CONTACT  
O - CAVITY WITHOUT CONTACT
- 11 PBT GF
- 12 PBT GF. UL94-V0 & GWEPT 750 NO-FLAME. NATURAL
- 13 POLARIZATION RIB IN CAVITY 1. (SEE SHEET 2 TYPICAL POLARIZATION CUTOFF ON PCB)
- 14 POLARIZATION RIB IN LAST CAVITY. (SEE SHEET 2 TYPICAL POLARIZATION CUTOFF ON PCB)

QTY	MATERIAL	DESCRIPTION	ITEM
1	PH. BRONZE, TIN PLATED	IDC RECEPTACLE CONTACT	2
1	PBT GLASS FIBER FILLED	FEMALE HOUSING	1

REVISIONE DELL'ASSEMBLATO (REVISION OF EACH ASSY NO)		ELENCO DEI COMPONENTI (PARTS LIST)	
--	--	------------------------------------	--

DIMENSIONS: mm		TOLERANCES UNLESS OTHERWISE SPECIFIED:	
9 PLC	±0.2	1 PLC	±0.2
2 PLC	±0.2	3 PLC	±0.2
4 PLC	±0.2	5 PLC	±0.2
ANGLES	±0.5	FINISH	-

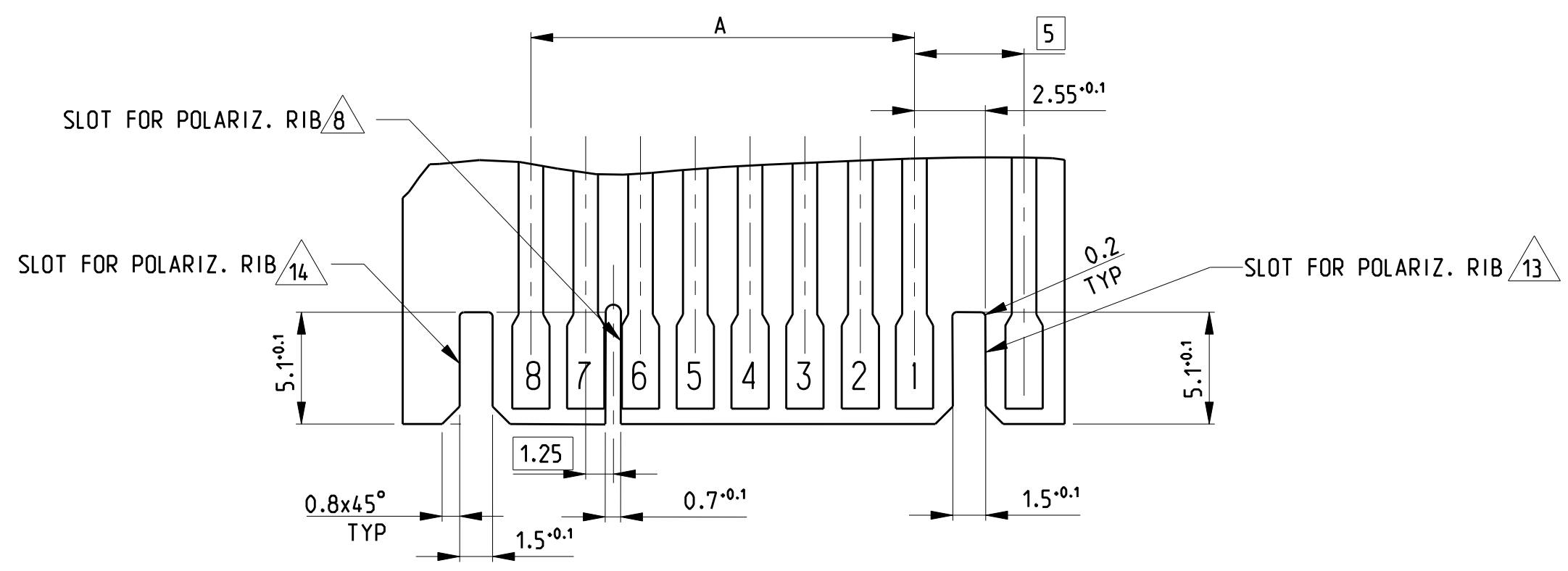
OWN	R. FABRIS	27FEB2004	
CHK			
APPV	G. TURCO	27FEB2004	
NAME	DUOPLUG 2.5 FEMALE CONNECTOR STANDARD VERSION, KEYED (FULLY LOADED)		
PRODUCT SPEC	108-18056		
APPLICATION SPEC	114-18049-1		
SIZE	CAGE CODE	DRAWING NO	RESTRICTED TO
A1	00779	C=284932	-
CUSTOMER DRAWING		SCALE	10:1 SHEET 1 OF 2

LOC	DIST	REV	DATE	BY	APPV
		1			

REVISONS		DATE	OWN	APPV
	SEE SHEET 1			

RECOMMEND TYPICAL POLARIZATION CUTOFF ON PCB



COLOUR CODE	11	10	9	8	7	6	5	4	3	2	1	POLARIZ. RIB LAST CAVITY	POLARIZ. RIB CAVITY 1	POLARIZ. RIB	HSG POS	DIM. A	DIM. B	TE P/N	TE P/N			
BLACK																2/3	13	30.0	34.9	4-284932-3	1-2311501-3 (A13)	
GREEN									X	X						4/5	6	12.5	17.4	3-284932-6	2311505-6	
BLUE																				1-284932-6	4-2311500-6	
																					2311501-2	9
BLACK																9/10	11	25.0	29.9	1-284932-1	1-2311501-1	
BLACK																7/8	10	22.5	27.4	1-284932-0	2-2311500-0	
																					1-2311500-9	9
BLACK																2/3	9	20.0	24.9	0-284932-9	2311500-9	
																					4-2311500-8	9
BROWN																2/3	8	17.5	22.4	2-284932-8	3-2311500-8	
BLACK																1/2 and 7/8				0-284932-8	2-2311500-8	
RED																2/3	7	15.0	19.9	0-284932-7	1-2311500-8	
																					7-2311500-6	9
BLACK																1/2	6	12.5	17.4	2-284932-6	3-2311500-6	
RED																2/3				0-284932-6	2-2311500-6	
RED																4/5				3-284932-5	5-2311500-5	
GREEN																3/4	5	10.0	14.9	2-284932-5	4-2311500-5	
BROWN																2/3				4-284932-5	3-2311500-5	
BLACK																3/4				0-284932-5	2-2311500-5	
BLACK																3/4				2-284932-4	4-2311500-4	
BROWN																1/2	4	7.5	12.4	0-284932-4	3-2311500-4	
																					2-2311500-4	9
RED																2/3				3-284932-3	6-2311500-3	
GREEN																2/3	3	5.0	9.9	2-284932-3	5-2311500-3	
BLACK																1/2				0-284932-3	4-2311500-3	

THIS DRAWING IS A CONTROLLED DOCUMENT.		OWN: R. FABRIS	27FEB2004	STE		TE Connectivity	
DIMENSIONS: mm		CHK: -	APV: -	TURCO		27FEB2004	
TOLERANCES UNLESS OTHERWISE SPECIFIED:		PRODUCT SPEC: 108-18056		APPLICATION SPEC: 114-18049-1		SIZE: A1	
MATERIAL: SEE TABLE		WEIGHT: -		CAGE CODE: 00779		DRAWING NO: C=284932	
		CUSTOMER DRAWING		SCALE: 10:1		SHEET 2 OF 2	