

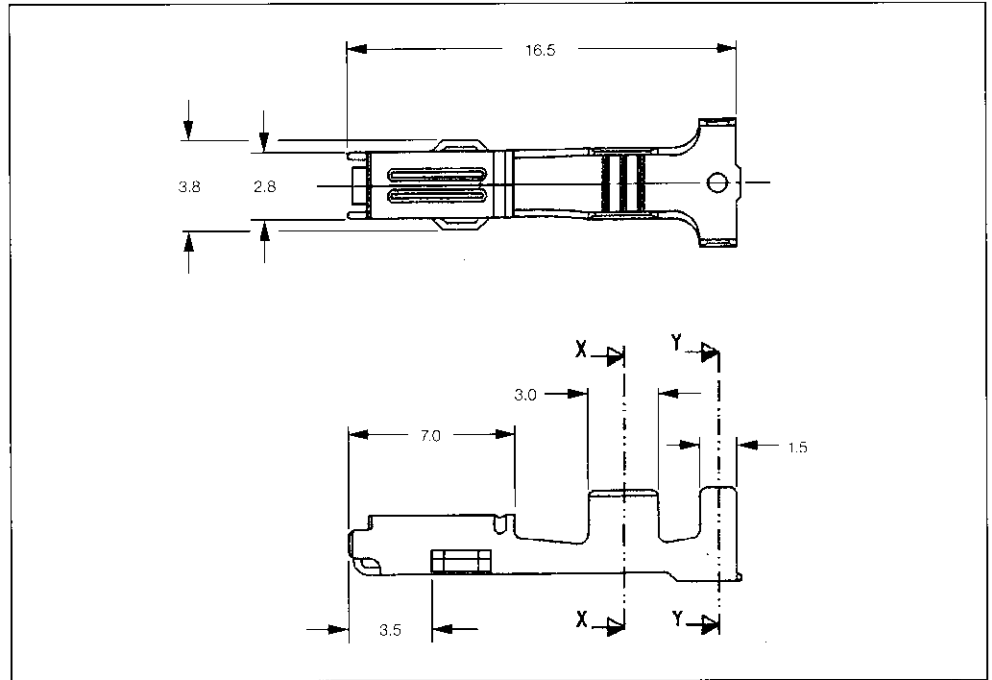
Receptacle Contacts

**Technical Features**

**Low Current Wire-to-Wire Connectors .070 Series (1.8 mm)**

- Free-hanging
- .070 Series (1.8 mm) blade and receptacle
- 2-, 3-, 4-, 6- and 13-positions
- Wire Size Range from 0.5 up to 2.0 mm<sup>2</sup>
- Contact rating up to 10 A constant
- Lanceless contact system
- Inertia Locking

**Application Specification:**  
114-3040



**Receptacle Contacts**

Wire Size Range	Insulation Diameter		Material and Finish	Part Numbers				Applicator *	Hand Tool
	FLK	FLR		Strip Form	Packaging Unit	Loose-Piece	Packaging Unit		
mm <sup>2</sup> (AWG)	mm (Inch)	mm (Inch)							
0.2-0.5 (24-20)	1.6-1.8 (.062-.070)		Copper alloy, tin plated	345808-1	6,000	345949-1	1,000	-	525317-6*
0.75-1.00 (18-17)	1.85-2.10 (.073-.083)		Copper alloy, tin plated	345806-1	6,000	345150-1	1,000	-	525317-2*
1.5-2.0 (15-14)	2.3-2.7 (.091-.106)		Copper alloy, tin plated	345806-1	6,000	345150-1	1,000	-	525317-4*
0.5-2.0 (20-14)	1.6-2.7 (.062-.106)		CuSn, gold plated	344113-1 **	6,000	-	-	-	-

♦) Applicators are application specific, consult Tyco Electronics for details

\*) Wire crimp form = F  
Insulation crimp form = 0  
Other crimp forms see Product Specification

\*\*\*) For 16 and 36 positions receptacle housing