

POLARIZATION OPTION "A"
P/N: 34927-0140

POLARIZATION OPTION "B"
P/N: 34927-0141

POLARIZATION OPTION "C"
P/N: 34927-0142

MOLEX ASSEMBLY PART NO.'S	MATING COMPONENT	
	VERTICAL HEADER	RIGHT ANGLE HEADER
34927-0140	34772-0140	34773-0140
34927-0141	34772-0141	34773-0141
34927-0142	34772-0142	34773-0142

ITEM	DESCRIPTION	COLOR	MOLEX COMPONENTS PART NO.	RECYCLING CODE	WEIGHT	NO OF ITEMS REQUIRED	
1	FEMALE HOUSING POL A	BLACK	34927-3140	PBT-GF30	7.24g	1	
2	FEMALE HOUSING POL B	GRAY	34927-3141	PBT-GF30	7.24g		1
3	FEMALE HOUSING POL C	BROWN	34927-3142	PBT-GF30	7.24g		1
3	TPA	NATURAL	34927-1200	PBT-GF30	1.14g	1	1

APPLICABLE COMPONENTS			APPLICABLE WIRE SIZE		
ITEM	DESCRIPTION	TYPE	SUPPLIER COMPONENTS PART NO.	WIRE GAGE	MAXIMUM INSULATION DIAMETER
1	TYCO 0.64 TERMINAL	Sn	1456574-1	20/22 AWG	1.85 mm
2		Sn	1456574-2	18 AWG	2.06 mm
3					
4					
5	TYCO 2.8 TERMINAL	Sn	1326030-4	10/12 AWG	4.04 mm
6		Sn	1326030-3	14/16 AWG	2.69 mm
7		Sn	1326030-2	18/20 AWG	2.06 mm
8		Sn	1326030-1	22 AWG	1.65 mm

NOTES: VALID UNLESS OTHERWISE SPECIFIED

1. GENERAL:

- a. APPLICATION SPECIFICATION SEE: TBD
- b. PRODUCT SPECIFICATION SEE: TBD
- c. PACKAGING SPECIFICATION PER MOLEX DRAWING: PK-31301-201
- d. PARTS MUST BE IN COMPLIANCE TO MOLEX CHEMICAL SUBSTANCES FOR PRODUCTS AND PACKAGING SPECIFICATION: PS-40000-5015
- e. DATA MUST BE SUBMITTED UNDER THE MOLEX PART NUMBER TO IMDS (COMPANY ID#13255)

2. DESIGN - MATERIALS:

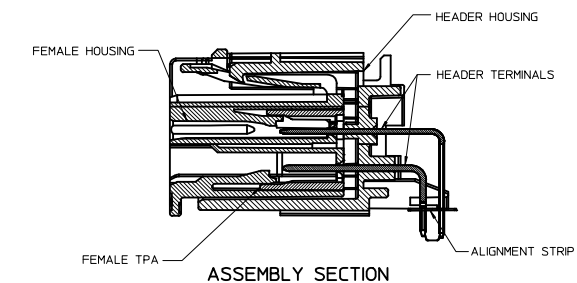
- a. SEE BOM TABLE

3. DESIGN - GEOMETRY:

- a. THIS IS A 100% CAD GENERATED PART. THE CAD MATHEMATICAL DATA IS THE MASTER FOR THIS PART. FOR DIMENSIONAL OR ANY INFORMATION NOT SHOWN ON THIS DRAWING, ANALYZE THE CAD MODEL.
- b. GEOMETRIC DIMENSIONS AND TOLERANCES PER ASME Y14.5M - 1994
- c. EDGES AND UNDIMENSIONED DETAILS PER ISO13715
- d. CORNERS SHOWN AS SHARP TO BE R 0.2 MAX.
- e. LETTERING SHALL BE 0.15 MAX RAISED IN 0.25 MAX RECESS PAD. THIS INCLUDES RECYCLING CODE, CAVITY ID, VENDOR IDENTIFICATION, AND CUSTOMER MATERIAL NUMBER.
- f. VISUAL DEFECTS SHALL MEET COSMETIC STANDARD PS-45499-002 (Class B)

4. DESIGN - MANUFACTURING:

- a. TPAs MAY BECOME SEATED DURING TRANSIT. IF THIS OCCURS, REFERENCE MOLEX PRODUCT SPECIFICATION PS-34646-001

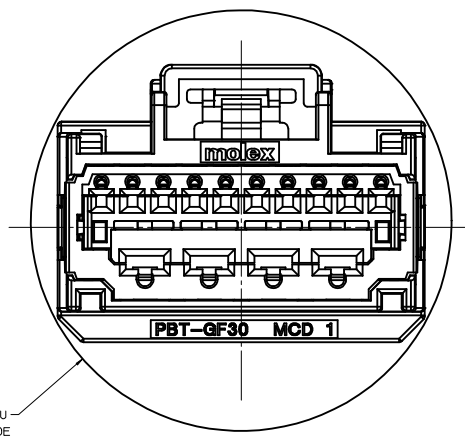
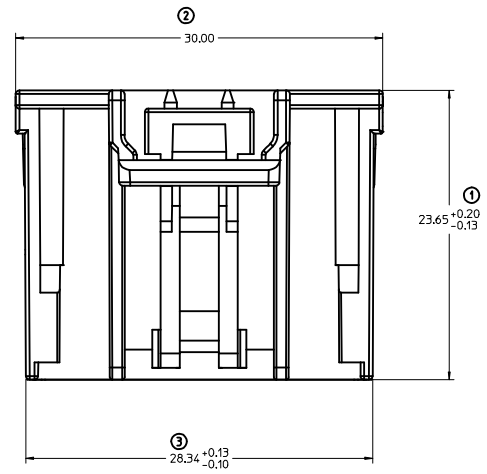


ISOMETRIC VIEWS
SCALE 1:1
(POLARITY A SHOWN)

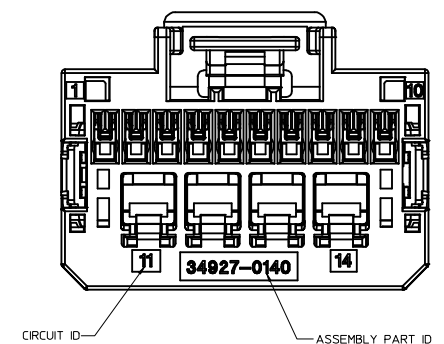
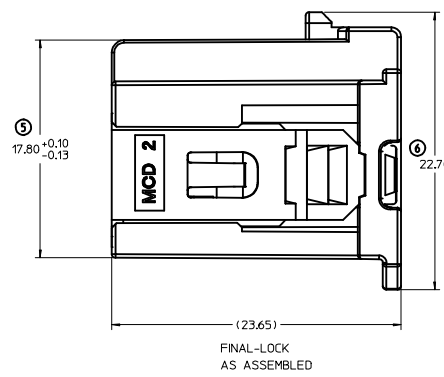
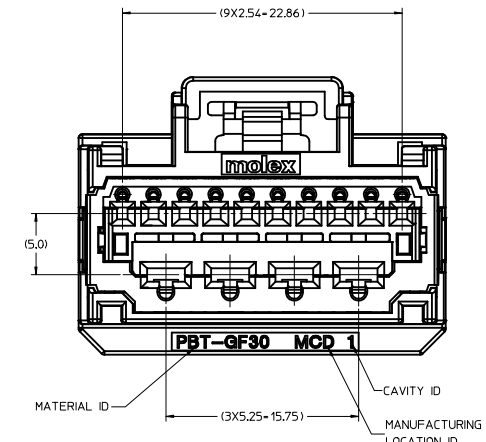
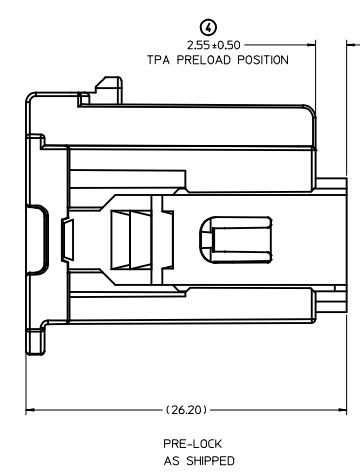
INITIAL RELEASE DEC NO: UAU2013-0290 DRAWN: SONGOS CHKD: APPR: RBALMAIN DATE: 2012/08/29 2012/11/07 A1	QUALITY SYMBOLS	GENERAL TOLERANCES (UNLESS SPECIFIED)	DIMENSION STYLE	SCALE	DESIGN UNITS	THIRD ANGLE PROJECTION
	▽=0	mm INCH	MM ONLY	3:1	METRIC	
	▽=0	4 PLACES ± --- ± ---	DRAWN BY	DATE	TITLE	
	▽=0	3 PLACES ± --- ± ---	SONGOS	2012/02/20	14 CKT HYBRID GEN Y RECEPTACLE	
	▽=0	2 PLACES ± 0.13 ± ---	CHECKED BY	DATE	MATERIAL NO.	
	1 PLACE ± 0.25 ± ---	TITAN	2012/02/16	SD-34927-010		
	ANGULAR ± 3°	APPROVED BY	DATE	SHEET NO.		
		SMARCEAU	2012/03/12	1 OF 2		
		DRAFT WHERE APPLICABLE MUST REMAIN WITHIN DIMENSIONS		MOLEX INCORPORATED		
		SEE TABLE		DOCUMENT NO.		
				SD-34927-010		
				THIS DRAWING CONTAINS INFORMATION THAT IS PROPRIETARY TO MOLEX INCORPORATED AND SHOULD NOT BE USED WITHOUT WRITTEN PERMISSION		

20 19 18 17 16 15 14 13 12 11 10 9 8 7 6 5 4 3 2 1

M
L
K
J
I
H
G
F
E
D
C
B
A

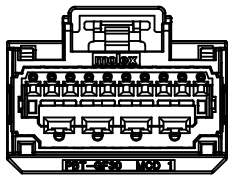


($\varnothing 35.38$) PASS-THRU
WITH +1.0 PER SIDE

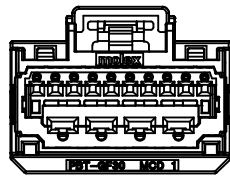


SEE SHEET 1 IEC NO. UAU2013-0290 DRAWN: SONG05 CHYK: APPR: RBALMAN 2012/08/29 2012/11/07	QUALITY SYMBOLS ▽=0 ▽=0 ▽=0	GENERAL TOLERANCES (UNLESS SPECIFIED)		DIMENSION STYLE MM ONLY	SCALE 5:1	DESIGN UNITS METRIC	THIRD ANGLE PROJECTION		
		4 PLACES ± --- ± --- 3 PLACES ± --- ± --- 2 PLACES ± 0.13 ± --- 1 PLACE ± 0.25 ± ---	mm INCH	DRAWN BY: SONG05 CHECKED BY: TITAN APPROVED BY: SMARCEAU	DATE: 2012/02/20 DATE: 2012/02/16 DATE: 2012/03/12	TITLE: 14 CKT HYBRID GEN Y RECEPTACLE	MOLEX INCORPORATED		
		DRAFT WHERE APPLICABLE MUST REMAIN WITHIN DIMENSIONS		MATERIAL NO. SD-34927-010	DOCUMENT NO.	SHEET NO. 2 OF 2			
		THIS DRAWING CONTAINS INFORMATION THAT IS PROPRIETARY TO MOLEX INCORPORATED AND SHOULD NOT BE USED WITHOUT WRITTEN PERMISSION							

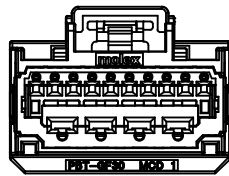
19 18 17 16 15 14 13 12 11 10 9 8 7 6 5 4 3 2 1



POLARIZATION OPTION "A"
P/N: 34969-0140



POLARIZATION OPTION "B"
P/N: 34969-0141



POLARIZATION OPTION "C"
P/N: 34969-0142

NOTES: VALID UNLESS OTHERWISE SPECIFIED

1. GENERAL:

- a. APPLICATION SPECIFICATION SEE: TBD
- b. PRODUCT SPECIFICATION SEE: TBD
- c. PACKAGING SPECIFICATION PER MOLEX DRAWING: PK-31301-201
- d. PARTS MUST BE IN COMPLIANCE TO MOLEX CHEMICAL SUBSTANCES FOR PRODUCTS AND PACKAGING SPECIFICATION: PS-40000-5015
- e. DATA MUST BE SUBMITTED UNDER THE MOLEX PART NUMBER TO IMDS (COMPANY ID#13255)

2. DESIGN - MATERIALS:

- a. SEE BOM TABLE

3. DESIGN - GEOMETRY:

- a. THIS IS A 100% CAD GENERATED PART. THE CAD MATHEMATICAL DATA IS THE MASTER FOR THIS PART. FOR DIMENSIONAL OR ANY INFORMATION NOT SHOWN ON THIS DRAWING, ANALYZE THE CAD MODEL.
- b. GEOMETRIC DIMENSIONS AND TOLERANCES PER ASME Y14.5M - 1994
- c. EDGES AND UNDIMENSIONED DETAILS PER ISO13715
- d. CORNERS SHOWN AS SHARP TO BE R 0.2 MAX.
- e. LETTERING SHALL BE 0.15 MAX RAISED IN 0.25 MAX RECESS PAD. THIS INCLUDES RECYCLING CODE, CAVITY ID, VENDOR IDENTIFICATION, AND CUSTOMER MATERIAL NUMBER.
- f. VISUAL DEFECTS SHALL MEET COSMETIC STANDARD PS-45499-002 (Class B)

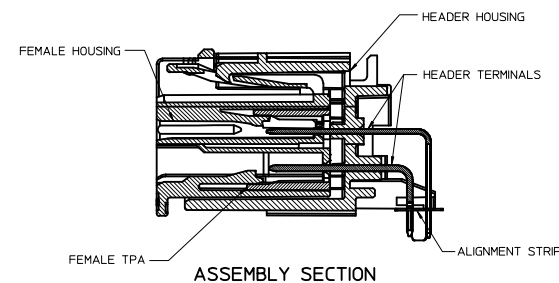
4. DESIGN - MANUFACTURING:

- a. TPAs MAY BECOME SEATED DURING TRANSIT. IF THIS OCCURS, REFERENCE MOLEX PRODUCT SPECIFICATION PS-34646-001

MOLEX ASSEMBLY PART NO.'S	MATING COMPONENT	
	VERTICAL HEADER	RIGHT ANGLE HEADER
34969-0140	34772-0140	34773-0140
34969-0141	34772-0141	34773-0141
34969-0142	34772-0142	34773-0142

ITEM	DESCRIPTION	COLOR	MOLEX COMPONENTS PART NO.	RECYCLING CODE	WEIGHT	NO OF ITEMS REQUIRED	
1	FEMALE HOUSING POL A	BLACK	34969-3140	PBT-GF30	7.24g	1	
2	FEMALE HOUSING POL B	GRAY	34969-3141	PBT-GF30	7.24g		1
3	FEMALE HOUSING POL C	BROWN	34969-3142	PBT-GF30	7.24g		1
3	TPA	NATURAL	34927-1200	PBT-GF30	1.14g	1	1

APPLICABLE COMPONENTS			APPLICABLE WIRE SIZE		PAYOFF	
ITEM	DESCRIPTION	TYPE	SUPPLIER COMPONENTS PART NO.	WIRE GAGE	MAXIMUM INSULATION DIAMETER	DIRECTION
1	MOLEX CTX64 TERMINAL	Sn	34803-0212	20 AWG	1.90 mm	LEFT
2		Sn	34803-0211	22 AWG	1.65 mm	LEFT
3		Sn	34803-0214	20 AWG	1.90 mm	RIGHT
4		Sn	34803-0213	22 AWG	1.65 mm	RIGHT
5	TYCO 2.8 TERMINAL	Sn	1326030-4	10/12 AWG	4.04 mm	\
6		Sn	1326030-3	14/16 AWG	2.69 mm	\
7		Sn	1326030-2	18/20 AWG	2.06 mm	\
8		Sn	1326030-1	22 AWG	1.65 mm	\

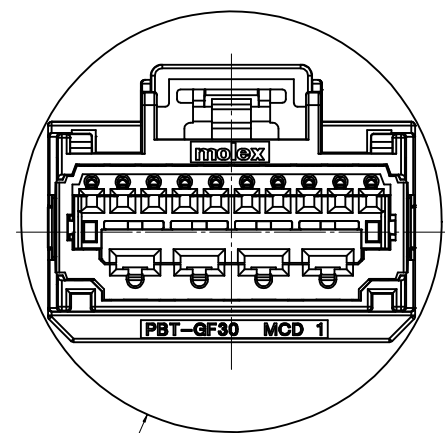
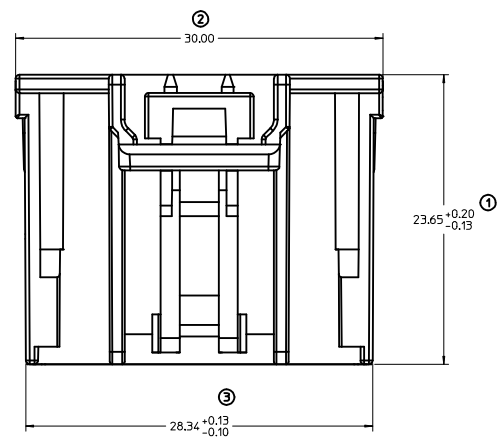


ISOMETRIC VIEWS
SCALE 1:1
(POLARITY A SHOWN)

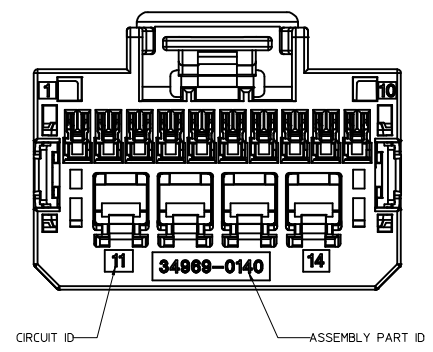
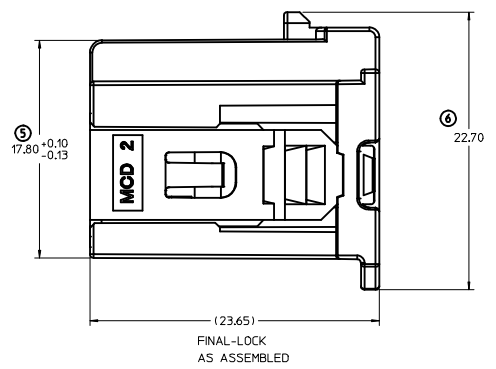
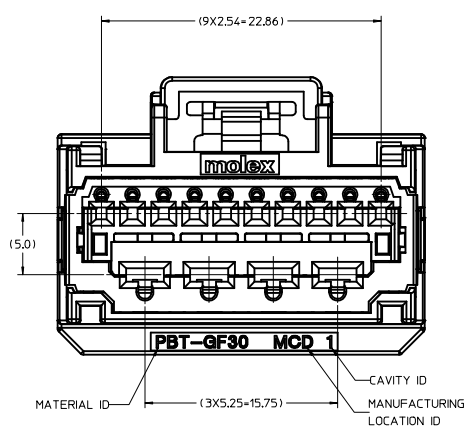
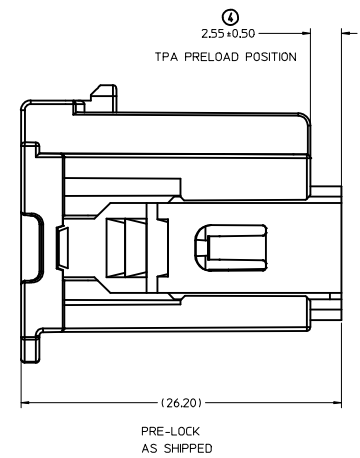
INITIAL RELEASE EC NO: UAU2013-0648 DRAWN BY: CHYK APPROVED BY: RBAUMAN DATE: 2013/01/04	QUALITY SYMBOLS	GENERAL TOLERANCES (UNLESS SPECIFIED)	DIMENSION STYLE	SCALE	DESIGN UNITS	THIRD ANGLE PROJECTION
	▽=0	4 PLACES ± 0.13	MM ONLY	3:1	METRIC	
	▽=0	3 PLACES ± 0.25				
	▽=0	1 PLACE ± 0.25				
DRAFT WHERE APPLICABLE MUST REMAIN WITHIN DIMENSIONS		DRAWN BY: SONGOS DATE: 2012/02/20		CHECKED BY: TITAN DATE: 2012/02/16		APPROVED BY: RBAUMAN DATE: 2013/01/04
MATERIAL NO. SD-34969-010		DOCUMENT NO. SD-34969-010		MOLEX INCORPORATED		SHEET NO. 1 OF 2
THIS DRAWING CONTAINS INFORMATION THAT IS PROPRIETARY TO MOLEX INCORPORATED AND SHOULD NOT BE USED WITHOUT WRITTEN PERMISSION						

20 19 18 17 16 15 14 13 12 11 10 9 8 7 6 5 4 3 2 1

M
L
K
J
I
H
G
F
E
D
C
B
A



Ø 35.38 PASS-THRU WITH +1.0 PER SIDE



SEE SHEET 1 IEC NO. UAU2013-0648 DRAWN BY CHYK APPR: RBAUMAN 2012/10/30 2013/01/04	QUALITY SYMBOLS	GENERAL TOLERANCES (UNLESS SPECIFIED)	DIMENSION STYLE	SCALE	DESIGN UNITS	THIRD ANGLE PROJECTION
	▽=0	mm INCH	MM ONLY	5:1	METRIC	☉
	▽=0	4 PLACES ± --- ± ---	DRAWN BY DATE	TITLE		
	▽=0	3 PLACES ± 0.13 ± ---	SONG05 2012/02/20	14 CKT HYBRID CTX 0.64 AND GENY 2.80 RECEPTACLE		
▽=0	2 PLACES ± 0.25 ± ---	CHECKED BY DATE	MOLEX INCORPORATED			
	1 PLACE ± 0.25 ± ---	LI TAN 2012/02/16	SD-34969-010			
	ANGULAR ± 3°	APPROVED BY DATE	SHEET NO. 2 OF 2			
		RBAUMAN 2013/01/04	MOLEX INCORPORATED			
	DRAFT WHERE APPLICABLE MUST REMAIN WITHIN DIMENSIONS	MATERIAL NO. SEE SHEET 1	DOCUMENT NO. SD-34969-010			
		SIZE D	THIS DRAWING CONTAINS INFORMATION THAT IS PROPRIETARY TO MOLEX INCORPORATED AND SHOULD NOT BE USED WITHOUT WRITTEN PERMISSION			

19 18 17 16 15 14 13 12 11 10 9 8 7 6 5 4 3 2 1