

345806-1 ✓ ACTIVE

AMP | Econoseal

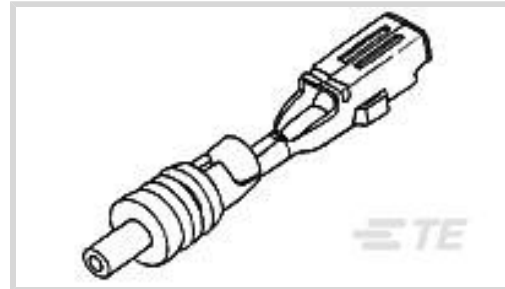
TE Internal #: 345806-1

Automotive Terminals, Receptacle, Mating Tab Width 1.8 mm [.071 in], Tab Thickness .024 in [.64 mm], 18 – 14 AWG Wire Size, Econoseal

[View on TE.com >](#)



Terminals & Splices > Automotive Terminals > Econoseal Receptacles and Tabs



Terminal Type: **Receptacle**

Mating Tab Width: **1.8 mm [.071 in]**

Mating Tab Thickness: **.64 mm [.024 in]**

Terminal Transmits: **0 – 24 A (Low Power)**

Wire Size: **18 – 14 AWG**

[All Econoseal Receptacles and Tabs \(45\)](#)

Features

Product Type Features

Receptacle Style	180°
Sealable	Yes

Body Features

Terminal Seal Type	Single Wire Seal (SWS)
--------------------	------------------------

Contact Features

Contact Size	1.7mm
Contact Fabrication	Stamped & Formed
Typical Current Rating	10 A
Crimp Type	F-Crimp
Terminal Type	Receptacle
Mating Tab Width	1.8 mm[.071 in]
Mating Tab Thickness	.64 mm[.024 in]
Interface Plating	Tin (Sn)

Termination Features

Termination Method to Wire & Cable	Crimp
Product Terminates To	Wire

Dimensions

Wire Size	.75 – 2 mm ²
Wire Size Search	14 AWG, 15 AWG, 16 AWG, 17 AWG, 18 AWG
Wire Insulation Diameter	1.65 – 2.7 mm [.065 – .106 in]

Usage Conditions

Insulation Option	Uninsulated
-------------------	-------------

Operation/Application

Compatible With Wire Base Material	Copper
------------------------------------	--------

Packaging Features

Packaging Method	Reel
Packaging Quantity	6000

Other

Terminal Transmits	0 – 24 A (Low Power)
--------------------	----------------------

Product Compliance

[For compliance documentation, visit the product page on TE.com>](#)

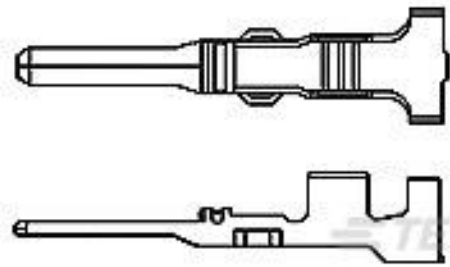
EU RoHS Directive 2011/65/EU	Compliant
EU ELV Directive 2000/53/EC	Compliant
China RoHS 2 Directive MIIT Order No 32, 2016	No Restricted Materials Above Threshold
EU REACH Regulation (EC) No. 1907/2006	Current ECHA Candidate List: JUNE 2022 (224) Candidate List Declared Against: JAN 2022 (223) SVHC > Threshold: Not Yet Reviewed
Halogen Content	Low Halogen - Br, Cl, F, I < 900 ppm per homogenous material. Also BFR/CFR/PVC Free
Solder Process Capability	Not applicable for solder process capability

Product Compliance Disclaimer

This information is provided based on reasonable inquiry of our suppliers and represents our current actual knowledge based on the information they provided. This information is subject to change. The part numbers that TE has identified as EU RoHS compliant have a maximum concentration of 0.1% by weight in homogenous materials for lead, hexavalent chromium, mercury, PBB, PBDE, DBP, BBP, DEHP, DIBP, and 0.01% for cadmium, or qualify for an exemption to these limits as defined in the Annexes of Directive 2011/65/EU (RoHS2). Finished electrical and electronic equipment products will be CE marked as required by Directive 2011/65/EU. Components may not be CE marked. Additionally, the part numbers that TE has identified as EU ELV compliant have a maximum concentration of 0.1% by weight in homogenous

materials for lead, hexavalent chromium, and mercury, and 0.01% for cadmium, or qualify for an exemption to these limits as defined in the Annexes of Directive 2000/53/EC (ELV). Regarding the REACH Regulation, the information TE provides on SVHC in articles for this part number is based on the latest European Chemicals Agency (ECHA) 'Guidance on requirements for substances in articles' posted at this URL: <https://echa.europa.eu/guidance-documents/guidance-on-reach>

Compatible Parts



TE Part # 345807-1
ECONO CONT. TAB



TE Part # 2305570-1
TERMINAL CUTTER, SIDE FEED



TE Part # CAT-EC7491-CH8172
ECONOSEAL, CONNECTOR HOUSING



TE Part # 1-1579007-5
EXTRACTION TOOL



TE Part # 2-2151881-1
OCEAN_2.0_Applicator-S-090F1450



TE Part # 2-2151881-2
OCEAN_2.0_Applicator-S-090F1450



TE Part # 2151881-1
OCEAN_2.0_Applicator-S-090F1450




TE Part # 2151881-2
OCEAN_2.0_Applicator-S-090F1450



KIT
REPRESENTATION ONLY

TE Part # 7-2151881-7
OCEAN_2.0_SPARE_PART_KIT-090F1450


Also in the Series | Econoseal




Automotive Connector Caps & Covers (1)



Automotive Connector Locks & Position Assurance(25)



Automotive Housings(62)



Automotive Seals & Cavity Plugs(17)



Automotive Terminals(47)



Insertion & Extraction Tools(7)



Other Automotive Connector Accessories(5)



PCB Headers & Receptacles(4)



Primary Wire(1)

Customers Also Bought



TE Part #344265-1
6 WAY TAB HSG.- BLACK ECONO



TE Part #345258-1
ANTI-BACKOUT 4WAY REC HSGECONO



TE Part #344273-1
3 WAY REC. HSG. SIL. SEALECONO



TE Part #347874-1
CABLE SEAL LC SILICON 0.5 T



TE Part #1011-047-0605
SEAL RET, 6P, GRY, DTM



TE Part #344276-1
2 WAY REC HSG. SIL SEAL ECONO



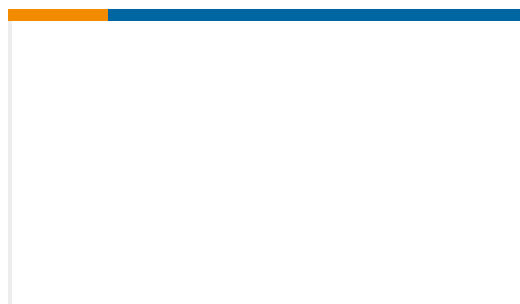
TE Part #345254-1
ANTI-BACKOUT 2WAY REC HSGECONO



TE Part #1010-038-0606
SEAL, INTF, 6P, RED-ORG, DTM



TE Part #345255-1
ANTI-BACKOUT 3WAY TAB HSGECONO



TE Part #345256-1
ANTI-BACKOUT 3WAY REC HSGECONO

Documents



Product Drawings

ECONO CONTACT REC

English

CAD Files

Customer View Model

[ENG_CVM_345806-1_A.3d_igs.zip](#)

English

Customer View Model

[ENG_CVM_345806-1_A.3d_stp.zip](#)

English

Customer View Model

[ENG_CVM_345806-1_A.2d_dxf.zip](#)

English

3D PDF

English

By downloading the CAD file I accept and agree to the [Terms and Conditions](#) of use.

Datasheets & Catalog Pages

Econoseal Connector Series

English

Product Specifications

Application Specification

English

EB**Econoseal 3 Low Current

English

Product Environmental Compliance

[MD_345806-1_07162015644_dmtec](#)

English

[MD_345806-1_07162015644_dmtec](#)

English
