



SOLISTRAND

TE Internal #: 33469

Ring Terminals & Spade Terminals, Ring Tongue, 4 AWG Wire Size, 16.8 – 26.7 mm² Wire Size, 33100 – 52600 CMA Wire Size, Stud Size 1/4 / M6

[View on TE.com >](#)

Terminals & Splices > Ring Terminals & Spade Terminals



Ring & Spade Terminal Type: **Ring Tongue**

Wire Size: **33100 – 52600 CMA**

Stud Size: **1/4, M6**

Features

Product Type Features

Shape Description	RING-048
Stud Size	1/4, M6
Sealable	No
Wire Insulation Support Retention Type	Non-Insulation Support

Configuration Features

Number of Holes	1
Terminal Angle	180 °

Body Features

Inspection Slot	No
-----------------	----

Contact Features

Ring & Spade Terminal Type	Ring Tongue
Barrel Type	Closed
Terminal Orientation	Offset
Terminal Plating Material	Tin

Mechanical Attachment



Wire Insulation Support	Without
-------------------------	---------

Dimensions

Wire Size	33100 – 52600 CMA
Stud Diameter	6.73 mm[.265 in]
Tongue Thickness	1.78 mm[.07 in]
Overall Product Length	33.38 mm[1.314 in]
Barrel Inside Diameter	7.52 mm[.296 in]

Usage Conditions

Insulation Option	Uninsulated
Operating Temperature Range	170 °C[338 °F]

Operation/Application

Compatible With Wire Base Material	Copper
Compatible With Wire Plating Material	Tin
Heavy Duty	No

Industry Standards

Government Qualified	No
----------------------	----

Packaging Features

Packaging Quantity	100
Packaging Method	Loose Piece

Product Compliance

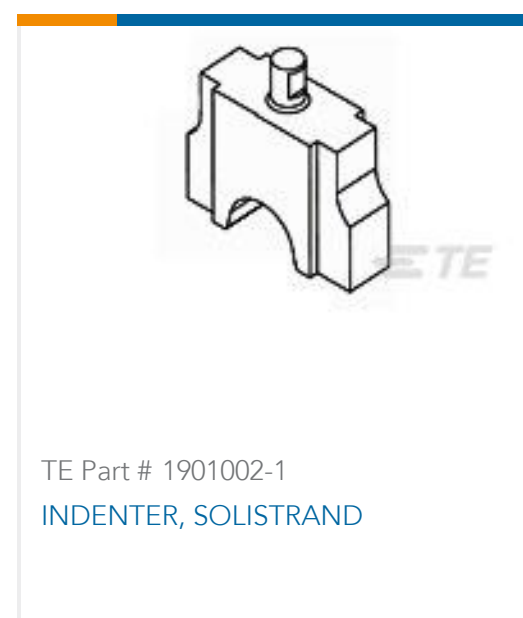
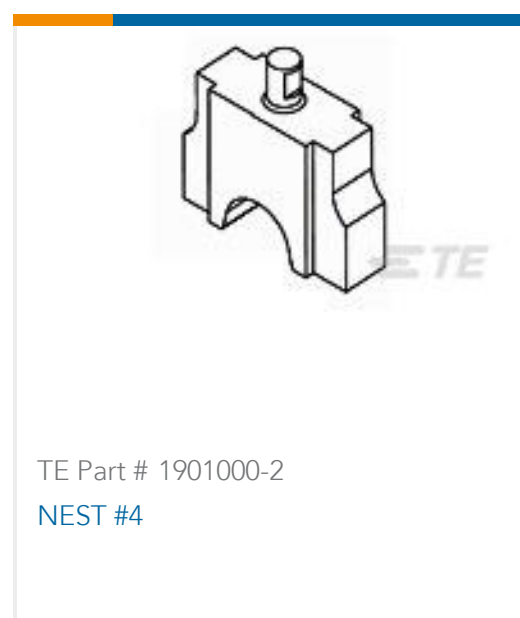
[For compliance documentation, visit the product page on TE.com>](#)

EU RoHS Directive 2011/65/EU	Compliant
EU ELV Directive 2000/53/EC	Compliant
China RoHS 2 Directive MIIT Order No 32, 2016	No Restricted Materials Above Threshold
EU REACH Regulation (EC) No. 1907/2006	Current ECHA Candidate List: JUNE 2022 (224) Candidate List Declared Against: JAN 2022 (223) SVHC > Threshold: Not Yet Reviewed
Halogen Content	Low Halogen - Br, Cl, F, I < 900 ppm per homogenous material. Also BFR/CFR/PVC Free
Solder Process Capability	Not applicable for solder process capability

Product Compliance Disclaimer

This information is provided based on reasonable inquiry of our suppliers and represents our current actual knowledge based on the information they provided. This information is subject to change. The part numbers that TE has identified as EU RoHS compliant have a maximum concentration of 0.1% by weight in homogenous materials for lead, hexavalent chromium, mercury, PBB, PBDE, DBP, BBP, DEHP, DIBP, and 0.01% for cadmium, or qualify for an exemption to these limits as defined in the Annexes of Directive 2011/65/EU (RoHS2). Finished electrical and electronic equipment products will be CE marked as required by Directive 2011/65/EU. Components may not be CE marked. Additionally, the part numbers that TE has identified as EU ELV compliant have a maximum concentration of 0.1% by weight in homogenous materials for lead, hexavalent chromium, and mercury, and 0.01% for cadmium, or qualify for an exemption to these limits as defined in the Annexes of Directive 2000/53/EC (ELV). Regarding the REACH Regulation, the information TE provides on SVHC in articles for this part number is based on the latest European Chemicals Agency (ECHA) 'Guidance on requirements for substances in articles' posted at this URL: <https://echa.europa.eu/guidance-documents/guidance-on-reach>

Compatible Parts



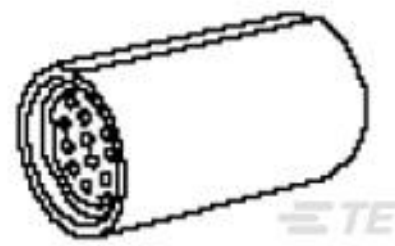
TE Part # 59131
HEAVY DUTY HT, SOLIS #4

TE Part # 33469-1
TERMINAL,SOLIS, R, 4, 1/4, UNPLTD

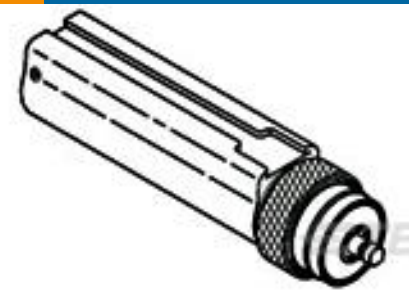
Customers Also Bought



TE Part #33468
TERMINAL,SOLIS R 4 10



TE Part #52745
SPLICE,COPALUM PARA 8



TE Part #189721-1
HAND NON-LOGIC POWER UNIT



TE Part #320383
TERMINAL,SOLIS R 2 1/4



TE Part #36916
TERMINAL,SOLIS R 1/0 5/16



TE Part #321871
BODY SOLIS RING 2/0 3/8



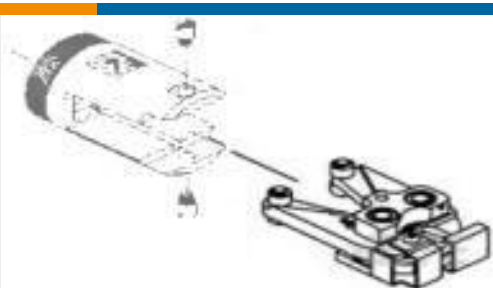
TE Part #321598
TERMINAL,SOLIS R 6 1/4



TE Part #208063-6
SKT ASSY,36P,MMATE LF



TE Part #5330878
BNC PLUG POLYPROPYLENE



TE Part #1338757-1
#8 SOLISTRAND PNEU CRIMP HD

Documents

Product Drawings

[TERMINAL,SOLIS R 4 1/4](#)

English

CAD Files

[3D PDF](#)

[3D](#)

[Customer View Model](#)

[ENG_CVM_CVM_33469_AF.2d_dxf.zip](#)



English

Customer View Model

[ENG_CVM_CVM_33469_AF.3d_igs.zip](#)

English

Customer View Model

[ENG_CVM_CVM_33469_AF.3d_stp.zip](#)

English

Customer View Model

[ENG_CVM_33469_L.3d_igs.zip](#)

English

Customer View Model

[ENG_CVM_33469_L.3d_stp.zip](#)

English

Customer View Model

[ENG_CVM_33469_L.2d_dxf.zip](#)

English

3D PDF

English

By downloading the CAD file I accept and agree to the [Terms and Conditions](#) of use.

Datasheets & Catalog Pages

SOLISTRAND - QRG

English

Product Environmental Compliance

MD_33469_07022013622_dmtec

English

MD_33469_07022013622_dmtec

English

Agency Approvals

UL Report

English

UL Report

English