

TABLE OF CONTENTS	
SHEET NO.	SHEET DESCRIPTION
1	NOTES AND BOM
2	CONFIGURATIONS
3-4	KEY CONFIGURATIONS
5	BLADE SEALED ASSEMBLY
6	SYSTEM PACKAGING
7	BACKSHELL NOTES
8	BACKSHELL
9	BACKSHELL CONFIGURATIONS

NOTES: VALID UNLESS OTHERWISE SPECIFIED

1. GENERAL:
a. APPLICATION SPECIFICATION SEE: AS-33472-100
-CONTAINS: PRODUCT INTRODUCTION, PRODUCT SUMMARY, CONNECTOR ASSEMBLY, PACKAGING INFORMATION, CONNECTOR MATING, SERVICE INSTRUCTIONS, ELECTRICAL CONTINUITY CHECKING, CRIMPING, AND TROUBLESHOOTING.
-DESIGNED TO MATE WITH RECEPTACLE SEALED ASSEMBLY AS SPECIFIED IN THE MATING CONNECTOR DRAWINGS CHART.
*DENOTES DRAWINGS THAT CAN BE ACCESSED AT <http://ewcap.uscarteams.org/>.
-ASSEMBLY SHIPPED WITH PLR IN PRE-LOCK POSITION (SEE PLR PRE-LOCK VIEW SHEET 5).

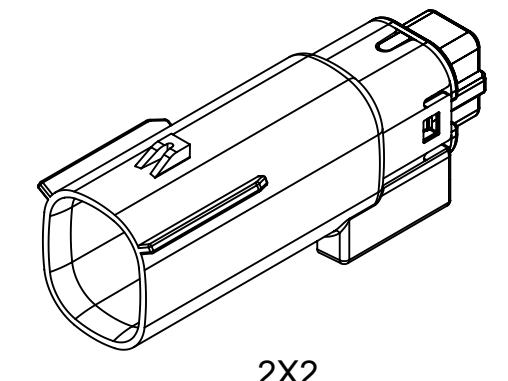
b. PRODUCT SPECIFICATION SEE:
-STANDARD CONFIGURATION: PS-33472-000
-UL V0 CONFIGURATION: TBD
CONTAINS: PRODUCT INTRODUCTION, PRODUCT SUMMARY, RATINGS (CURRENT, TEMPERATURE, SEALING, AND FLAMMABILITY), TERMINALS, WIRE DIAMETER RANGE, PRODUCT VALIDATION, AND PRODUCT DEVIATIONS.

c. PACKAGING SPECIFICATION PER MOLEX DRAWING: PK-31300-635
d. PARTS MUST BE IN COMPLIANCE TO MOLEX CHEMICAL SUBSTANCES FOR PRODUCTS AND PACKAGING SPECIFICATION: QEHS-699000-300
e. DATA MUST BE SUBMITTED UNDER THE MOLEX PART NUMBER TO IMDS (COMPANY ID#13255)

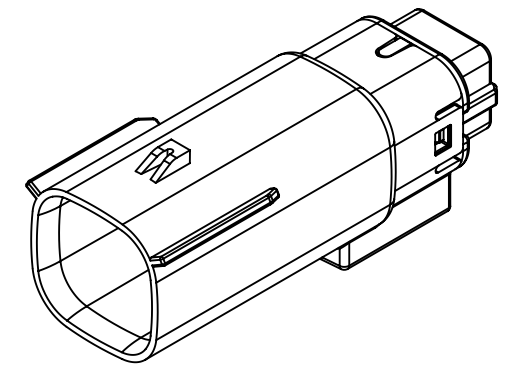
2. DESIGN - MATERIALS:
a. FOR BILL OF MATERIALS SEE:
-STANDARD CONFIGURATION: SD-33482-0002
-UL V0 CONFIGURATION: SD-160084-0002

3. DESIGN - GEOMETRY:
a. THE 3-D CAD DATA IS BASIC (WITHOUT TOLERANCE) AND MASTER FOR THIS PART WITH THE EXCEPTION OF UNDERLINED DIMENSIONS. DIMENSIONAL INFORMATION NOT SHOWN ON THIS DRAWING IS DEFINED BY THE DATA FILE AT ITS LATEST REVISION.
b. GEOMETRIC DIMENSIONS AND TOLERANCES PER ASME Y14.5M-2009
c. EDGES AND UNDIMENSIONED DETAILS PER ISO13715
d. CORNERS SHOWN AS SHARP TO BE R 0.2 MAX.
e. LETTERING SHALL BE 0.15 MAX RAISED IN 0.25 MAX RECESS PAD. THIS INCLUDES RECYCLING CODE, CAVITY ID, VENDOR IDENTIFICATION, AND CUSTOMER MATERIAL NUMBER.
f. VISUAL DEFECTS SHALL MEET COSMETIC STANDARD PS-45499-002 (Class B).
g. LASER MARKING:
1. PART NUMBER
2. DAY OF THE YEAR
3. SHIFT
4. YEAR
FOR ADDITIONAL INFORMATION SEE SECTION 5 UNDER PROCEDURES IN ES-34735-008.

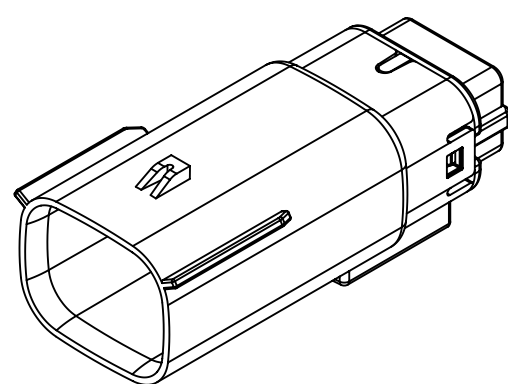
MATING CONNECTOR DRAWINGS	
DESCRIPTION	MOLEX INLINE
2X2	SD-33472-0001
2X3	SD-33472-0001
2X4	SD-33472-0001
2X6	SD-33472-0001
2X8	SD-33472-0001
2X10	SD-33472-0001



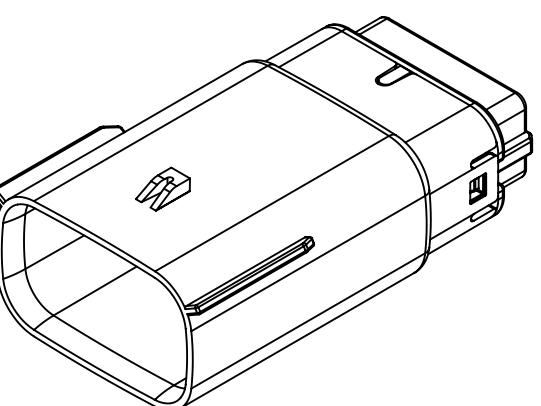
2X2



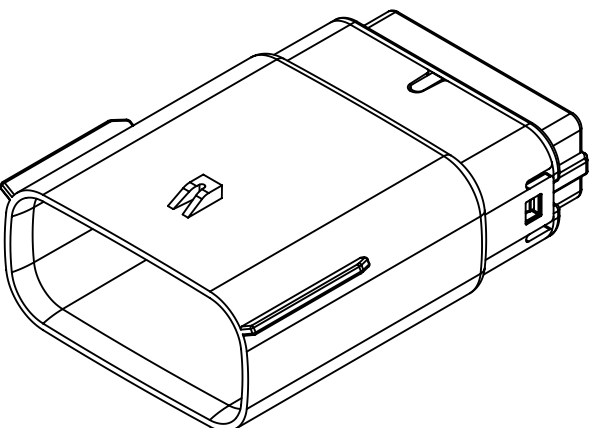
2X3



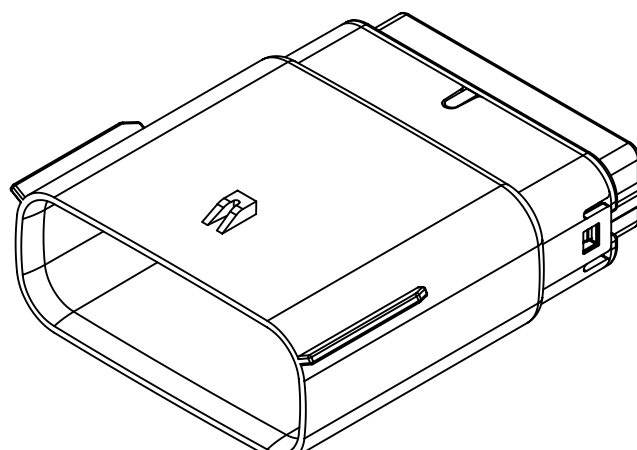
2X4



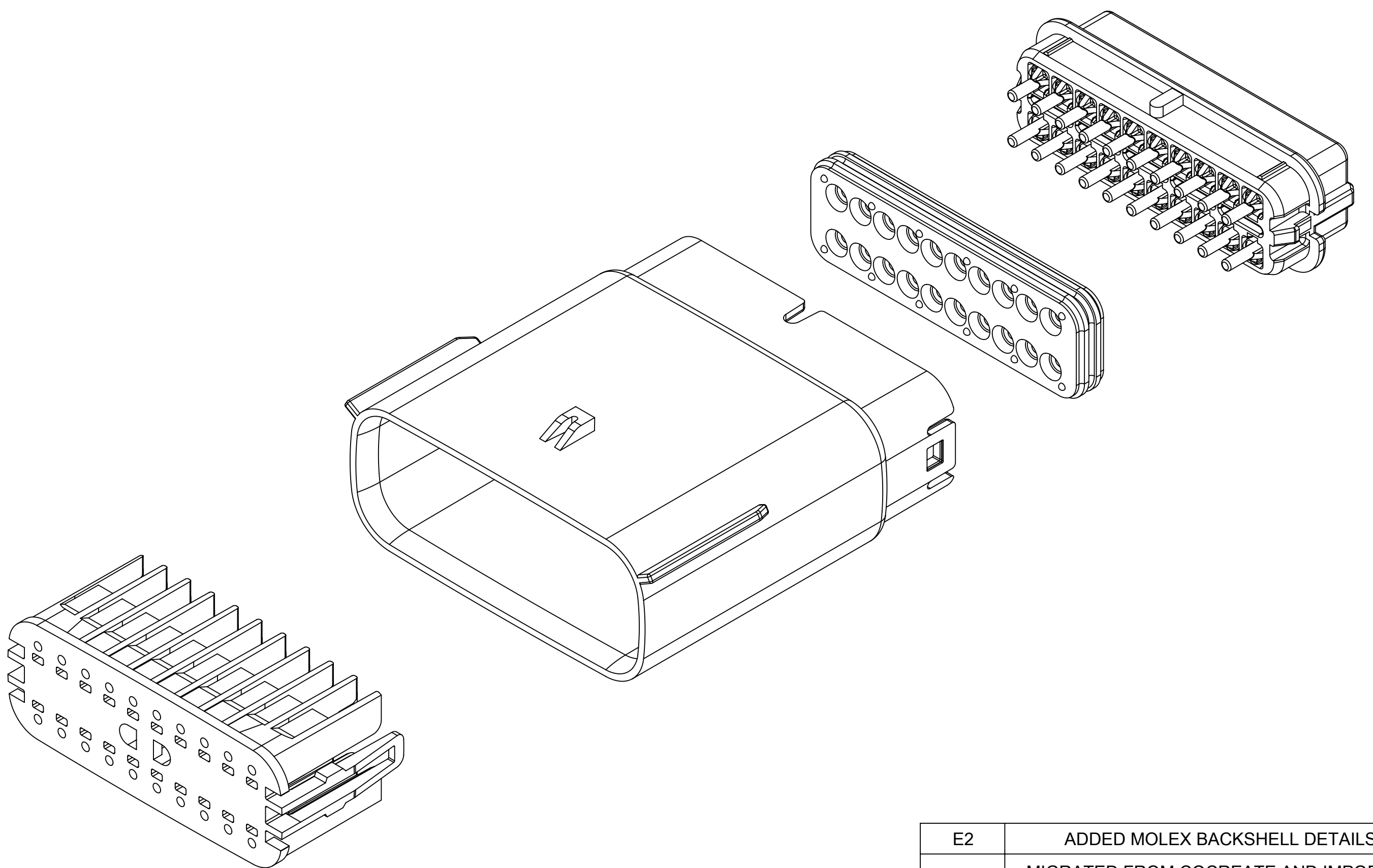
2X6



2X8



2X10

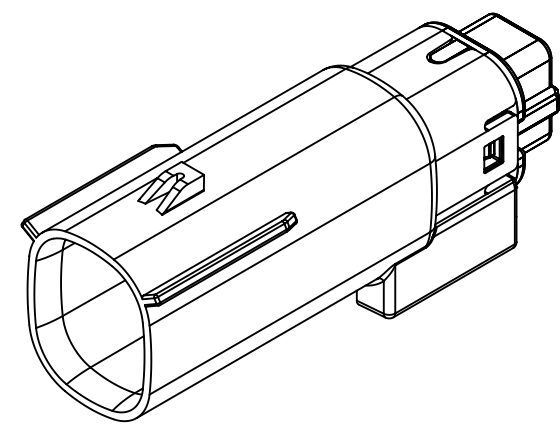


REV	REV DESCRIPTION
E2	ADDED MOLEX BACKSHELL DETAILS
E1	MIGRATED FROM COCREATE AND IMPORTED DXF FILES
E	ADDED CHARTED DIMENSIONS FOR 2X2, 2X4, 2X6 AND 2X8 WITH CLIPSLLOT
D	MINOR GEOMETRY CHANGE FOR UL V0
C3	ADD 2X4
C2	ADD 2X3
C1	ADD UL V0 CONFIGURATIONS
C	ADD 2X8
B1	ADD 2X6 BACKSHELL INFO
B	ADD 2X6
A	INITIAL RELEASE
REV	REV DESCRIPTION

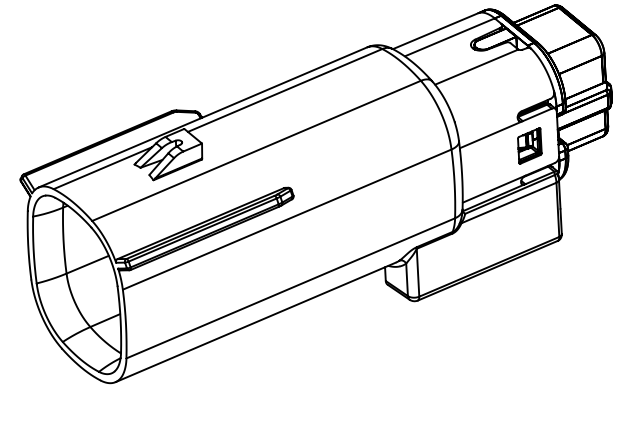
INSPECTION NUMBER LOG	
LAST NUMBER:	9
ADDED:	
REMOVED:	

SYMBOLS = 0 mm = 0 GENERAL TOLERANCES (UNLESS SPECIFIED) = 0 ANGULAR TOL ± 1.0° = 0 4 PLACES ± = 0 3 PLACES ± = 0 2 PLACES ± 0.1 = 0 1 PLACE ± 0.2 = 0 0 PLACES ± = 0 DRAFT WHERE APPLICABLE MUST REMAIN WITHIN DIMENSIONS	THIS DRAWING CONTAINS INFORMATION THAT IS PROPRIETARY TO MOLEX ELECTRONIC TECHNOLOGIES, LLC AND SHOULD NOT BE USED WITHOUT WRITTEN PERMISSION DIMENSION UNITS: mm SCALE: 1.5:1 CURRENT REV DESC: EC NO: 171650 DRWN: PMANJUNATHAC 2018/01/03 CHK'D: MVANSLAMBROU 2018/02/16 APPR: MVANSLAMBROU 2018/02/16 INITIAL REVISION: DRWN: APROFFITT 2014/04/28 APPR: VKOSHY 2014/05/14		 MX150 BLADE DUAL ROW SEALED ASSEMBLY MAT SEAL PRODUCT CUSTOMER DRAWING		
	DRWN: APROFFITT 2014/04/28 APPR: VKOSHY 2014/05/14				DOCUMENT NUMBER: SD-33482-0001 DOC TYPE: PSD DOC PART: 001 REVISION: E2
	THIRD ANGLE PROJECTION 		DRAWING: A1-SIZE SERIES: 33482	MATERIAL NUMBER: GENERAL MARKET CUSTOMER:	SHEET NUMBER: 1 OF 11
	DOCUMENT STATUS: P1 RELEASE DATE: 2018/02/16 22:02:26				

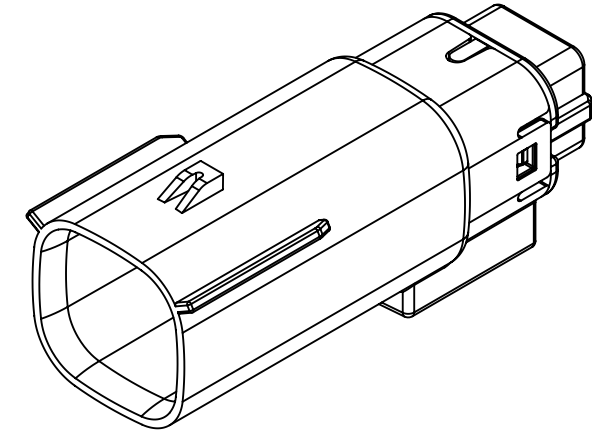
SHEET DESCRIPTION
CONFIGURATIONS



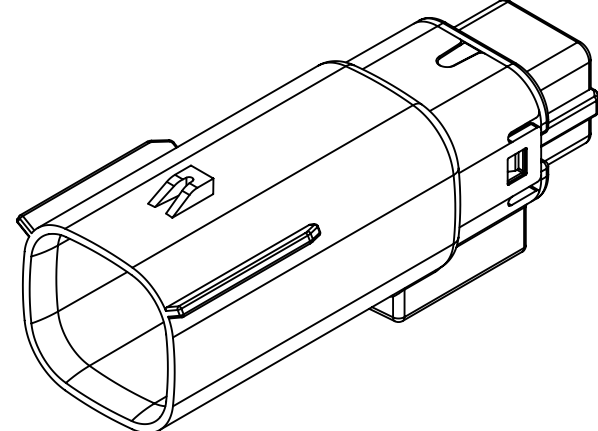
2X2 - STANDARD (STD)



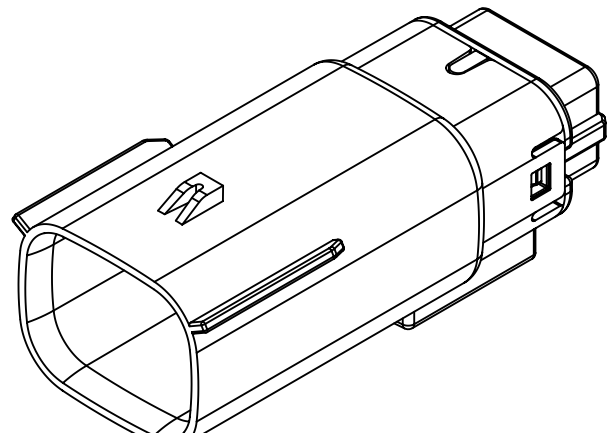
2X2 - UL V0*



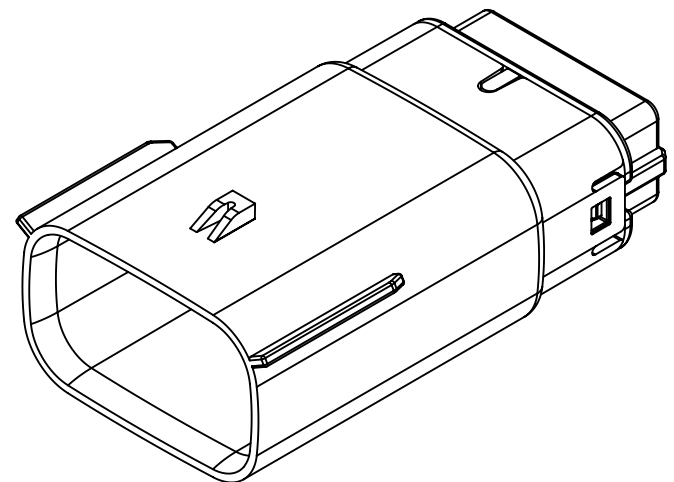
2X3 - STANDARD (STD)



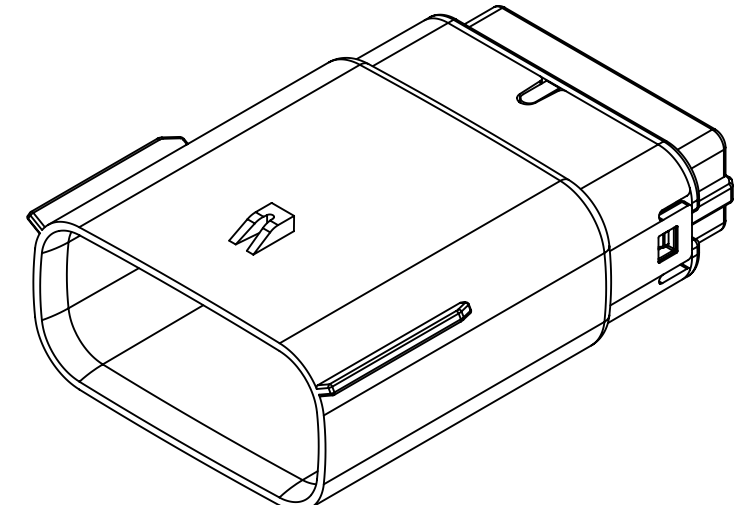
2X3 - LENGTHENED



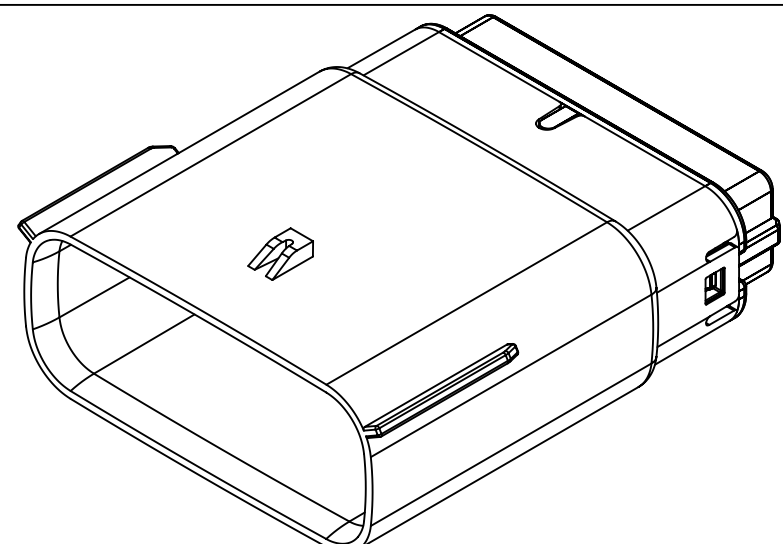
2X4 - STANDARD (STD)



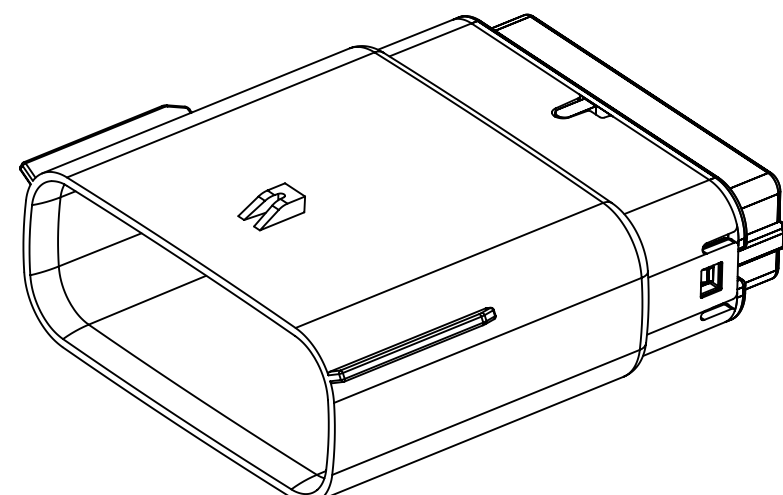
2X6 - STANDARD (STD)



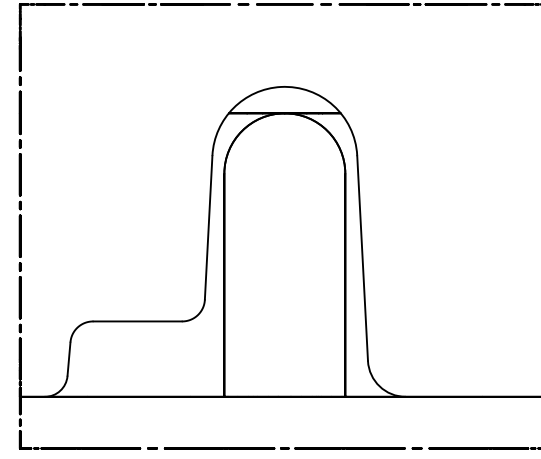
2X8 - STANDARD (STD)



2X10 - STANDARD (STD)



2X10 - UL V0*



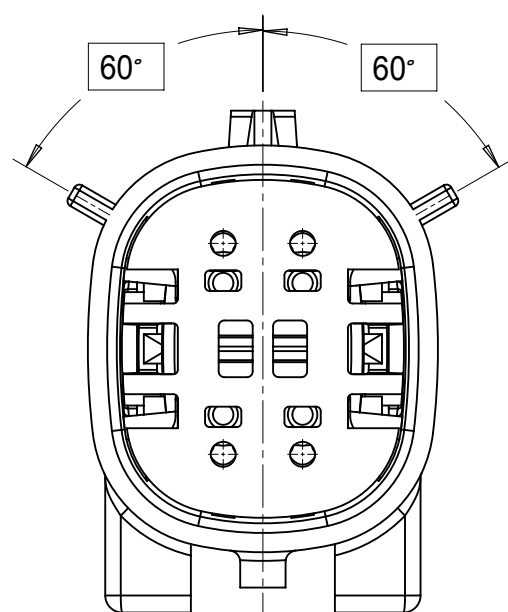
UL V0 UNIQUE FEATURE
Partial1
SCALE 10:1

* MINOR GEOMETRY CHANGE THAN STANDARD CONFIGURATION.
SEE NOTE 2a FOR MORE INFORMATION

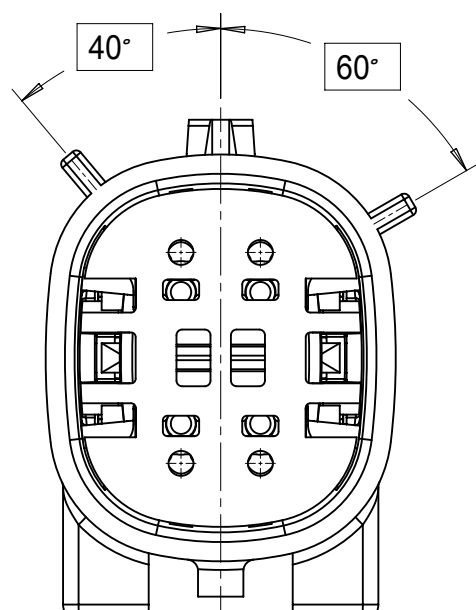
SYMBOLS = 0 = 0 = 0 = 0 = 0 = 0 = 0 = 0 = 0 = 0	THIS DRAWING CONTAINS INFORMATION THAT IS PROPRIETARY TO MOLEX ELECTRONIC TECHNOLOGIES, LLC AND SHOULD NOT BE USED WITHOUT WRITTEN PERMISSION		CURRENT REV DESC: EC NO: 171650 DRWN: PMANJUNATHAC 2018/01/03 CHK'D: MVANSLAMBROU 2018/02/16 APPR: MVANSLAMBROU 2018/02/16		 MX150 BLADE DUAL ROW SEALED ASSEMBLY MAT SEAL				
	DIMENSION UNITS: mm SCALE: 1.5:1	GENERAL TOLERANCES (UNLESS SPECIFIED) ANGULAR TOL ± 1.0°		INITIAL REVISION: DRWN: APROFFITT 2014/04/28 APPR: VKOSHY 2014/05/14				DOCUMENT NUMBER SD-33482-0001	DOC TYPE PSD
	DRAFT WHERE APPLICABLE MUST REMAIN WITHIN DIMENSIONS		THIRD ANGLE PROJECTION	DRAWING A1-SIZE	SERIES 33482	MATERIAL NUMBER GENERAL MARKET	CUSTOMER GENERAL MARKET		SHEET NUMBER 2 OF 11

SHEET DESCRIPTION
KEY CONFIGURATIONS

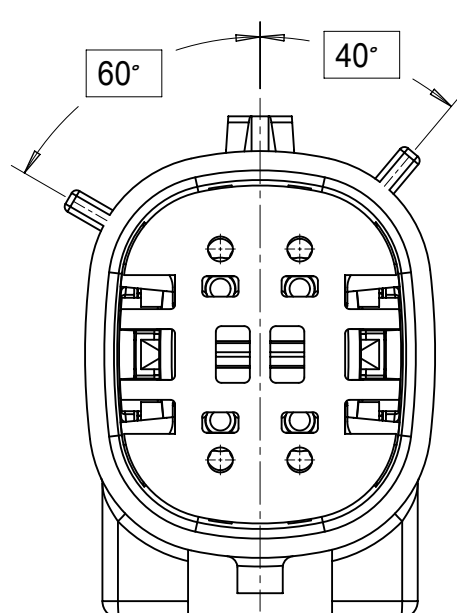
2X2



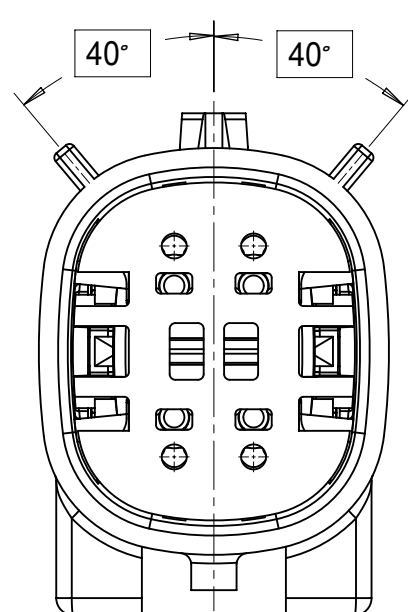
KEY A



KEY B

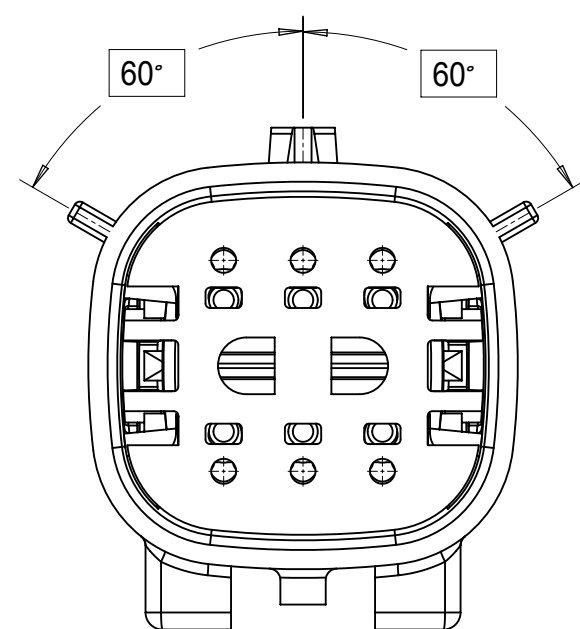


KEY C

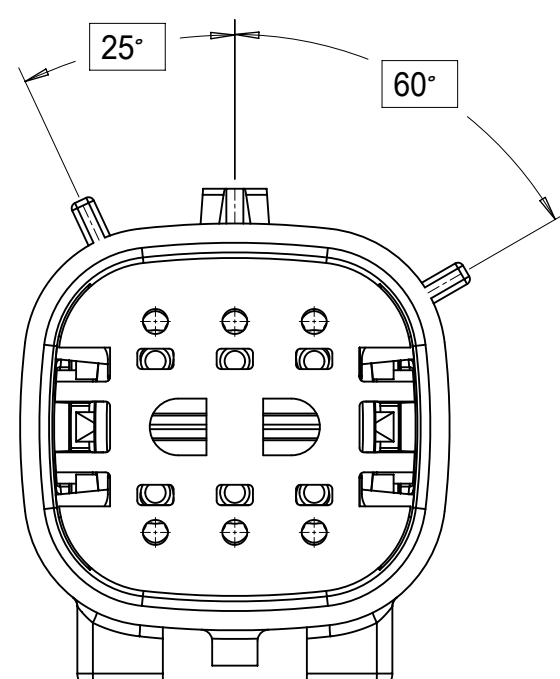


KEY D

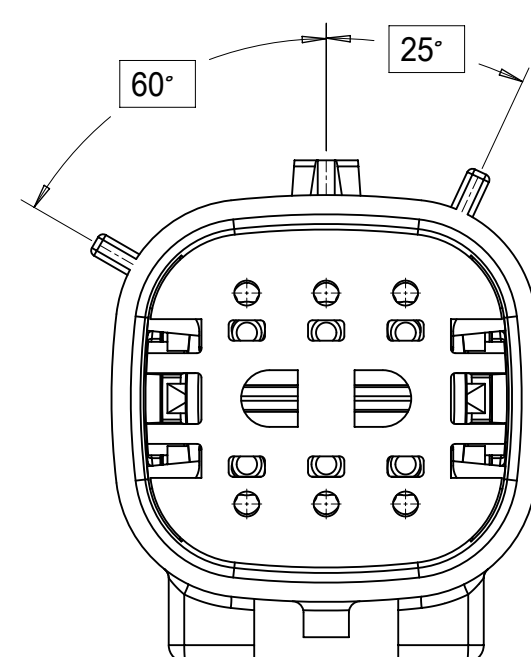
2X3



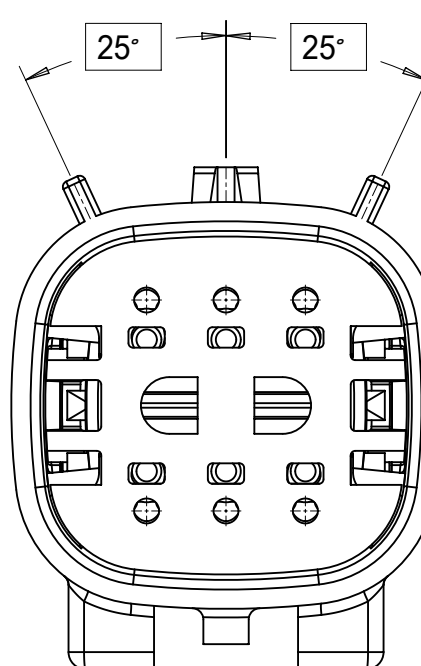
KEY A



KEY B

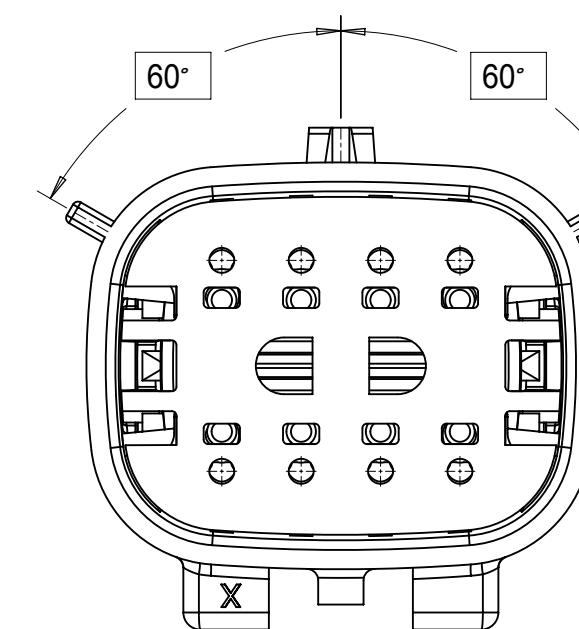


KEY C

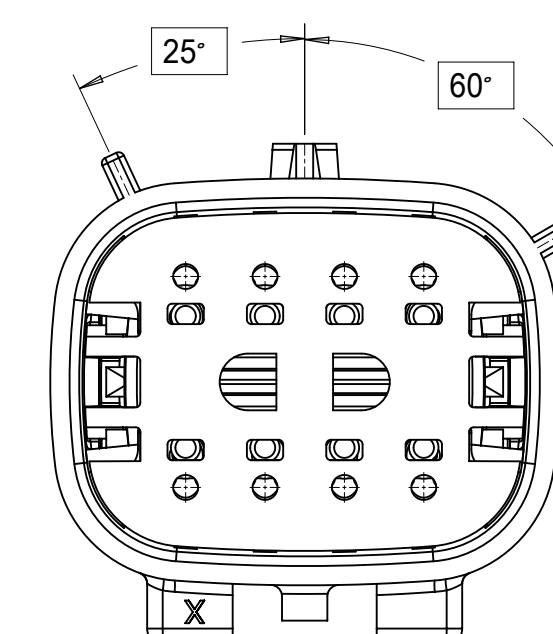


KEY D

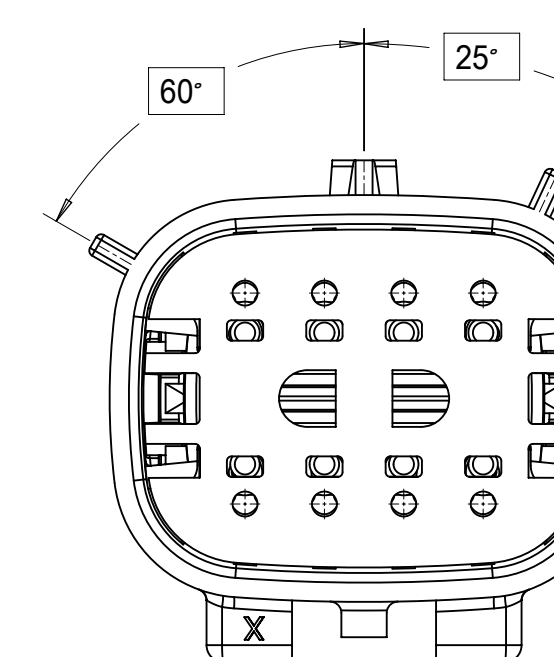
2X4



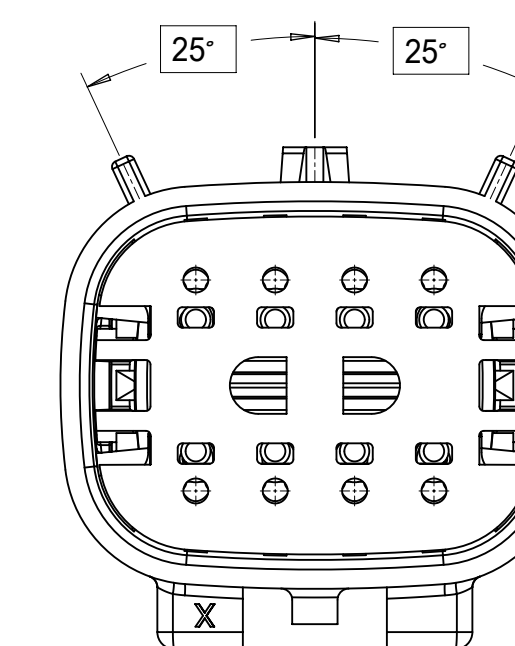
KEY A



KEY B



KEY C

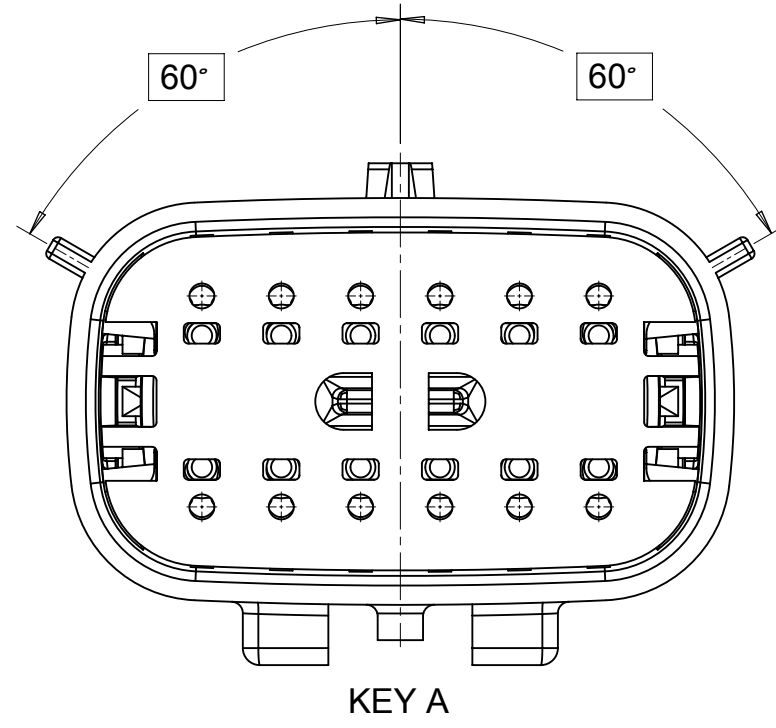


KEY D

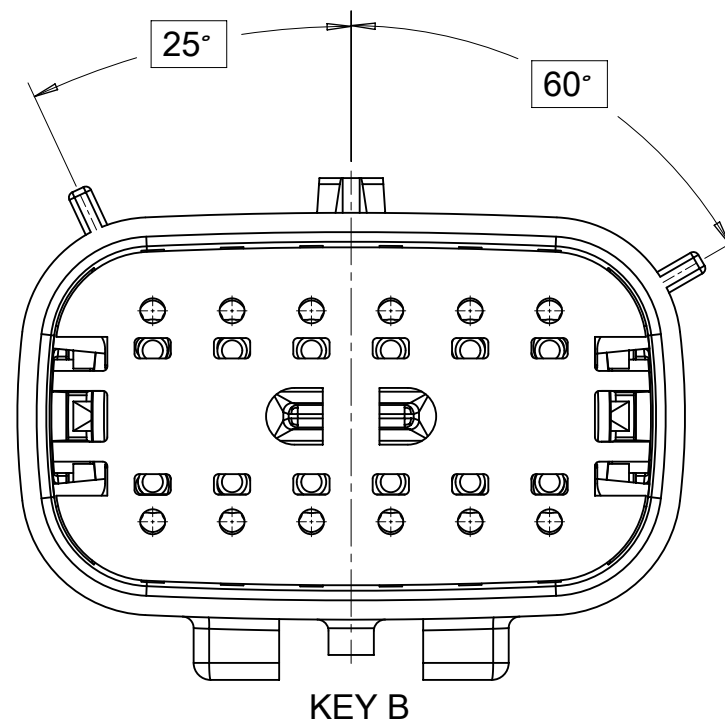
SYMBOLS = 0 = 0 = 0 = 0 = 0 = 0 = 0 = 0 = 0 = 0 = 0	THIS DRAWING CONTAINS INFORMATION THAT IS PROPRIETARY TO MOLEX ELECTRONIC TECHNOLOGIES, LLC AND SHOULD NOT BE USED WITHOUT WRITTEN PERMISSION DIMENSION UNITS: mm SCALE: 3:1	CURRENT REV DESC: EC NO: 171650 DRWN: PMANJUNATHAC 2018/01/03 CHK'D: MVANSLAMBROU 2018/02/16 APPR: MVANSLAMBROU 2018/02/16	 MX150 BLADE DUAL ROW SEALED ASSEMBLY MAT SEAL
	GENERAL TOLERANCES (UNLESS SPECIFIED) ANGULAR TOL ± 1.0° 4 PLACES ± 3 PLACES ± 2 PLACES ± 0.1 1 PLACE ± 0.2 0 PLACES ±	INITIAL REVISION: DRWN: APROFFITT 2014/04/28 2014/05/14 APPR: VKOSHY	
DRAFT WHERE APPLICABLE MUST REMAIN WITHIN DIMENSIONS	THIRD ANGLE PROJECTION 	DRAWING: A1-SIZE SERIES: 33482	MATERIAL NUMBER: _____ CUSTOMER: GENERAL MARKET SHEET NUMBER: 3 OF 11

SHEET DESCRIPTION
KEY CONFIGURATIONS CONT.

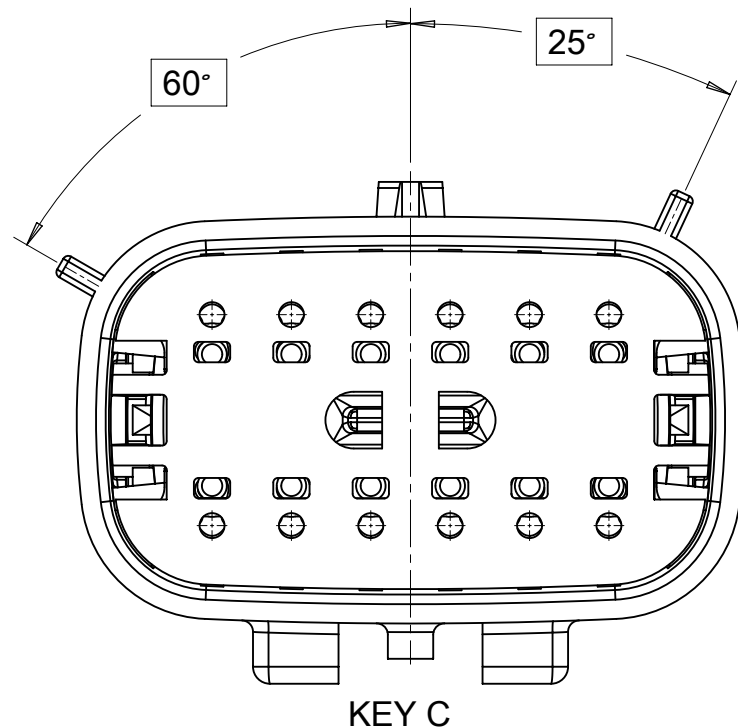
2X6



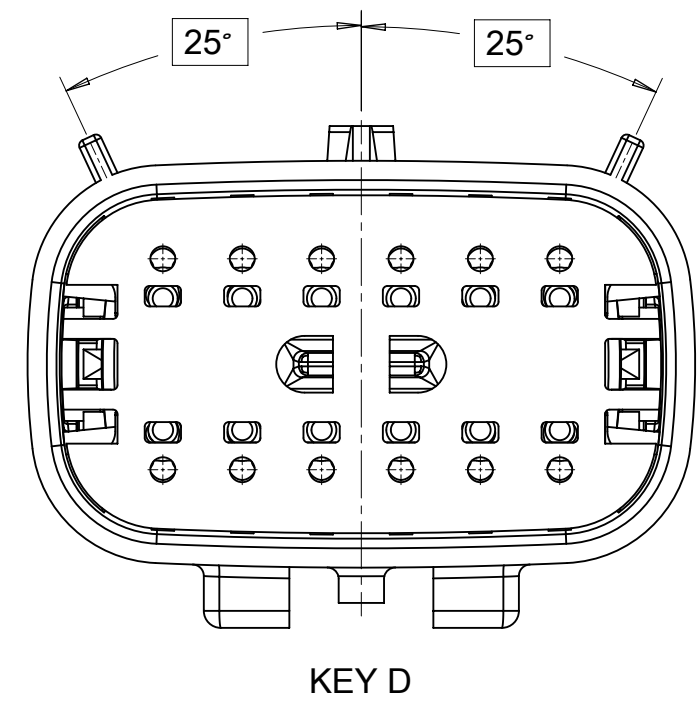
KEY A



KEY B

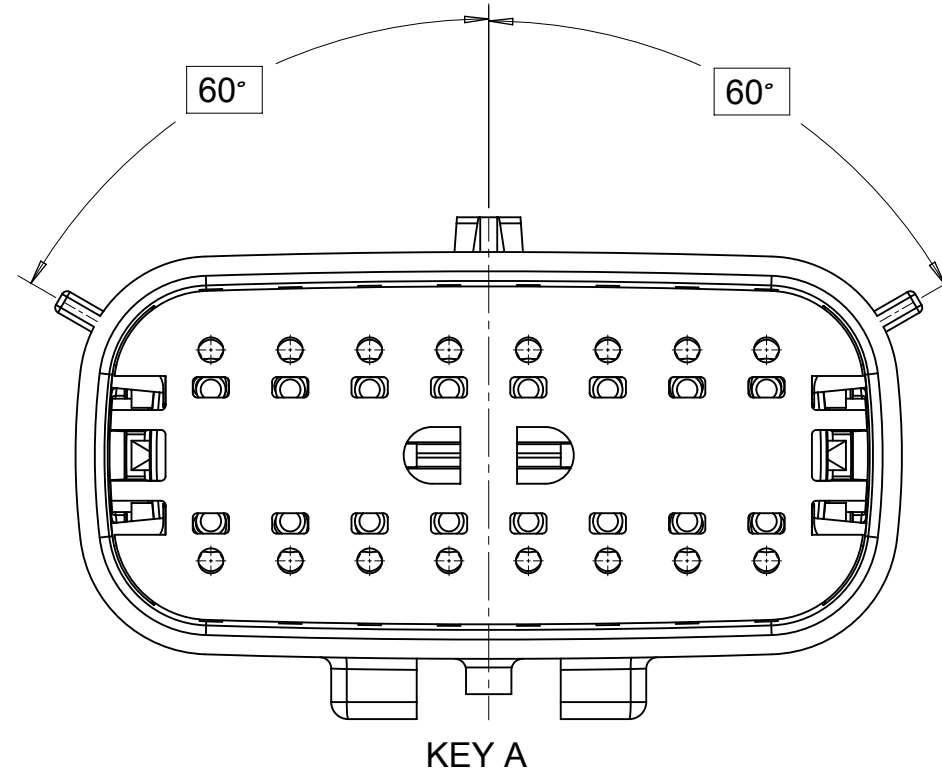


KEY C

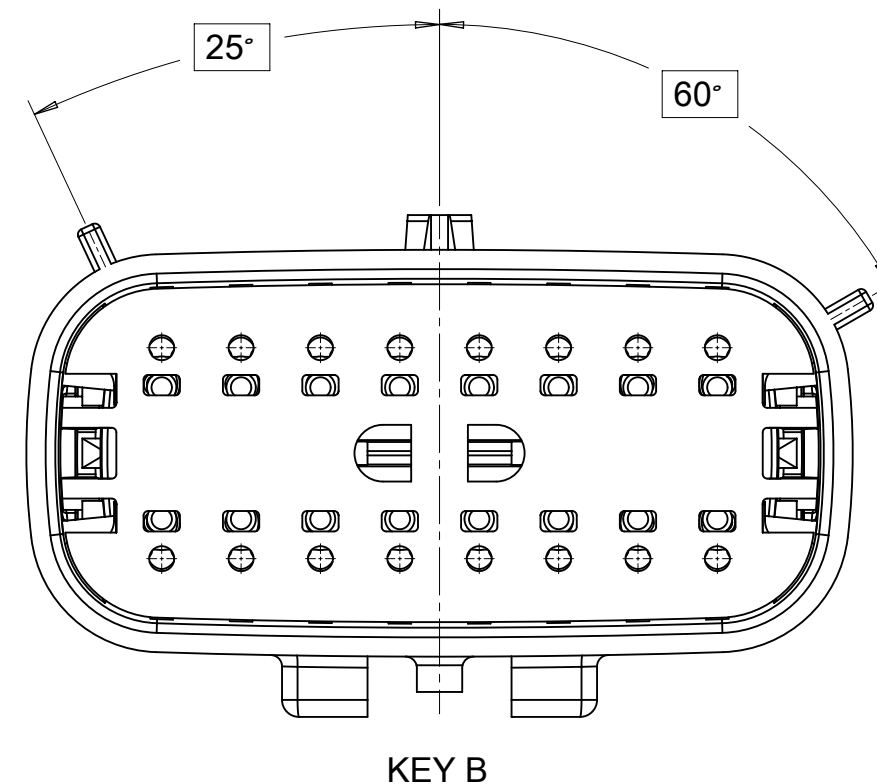


KEY D

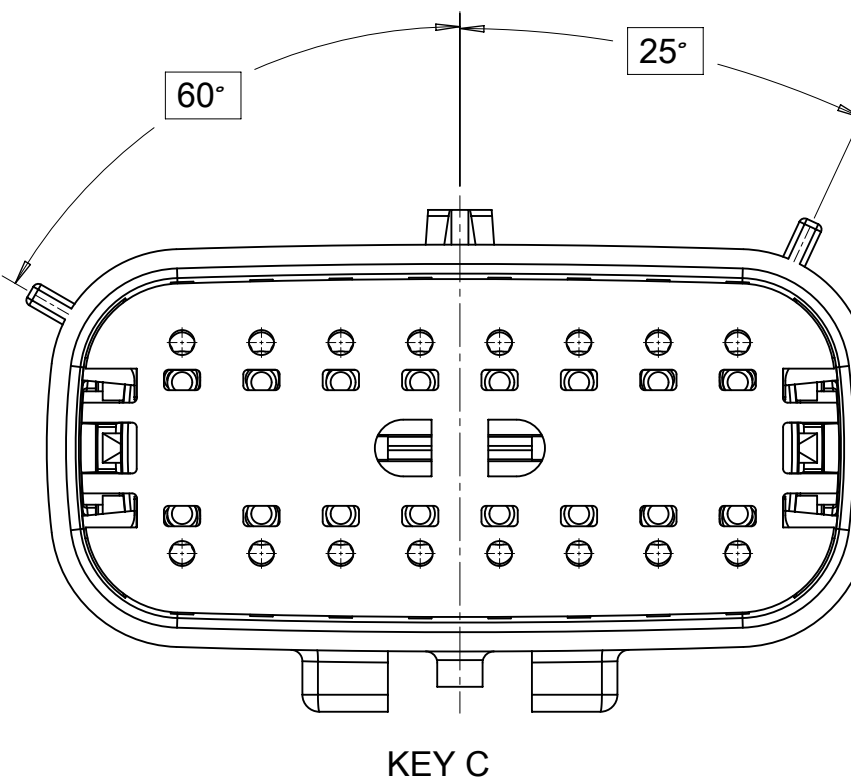
2X8



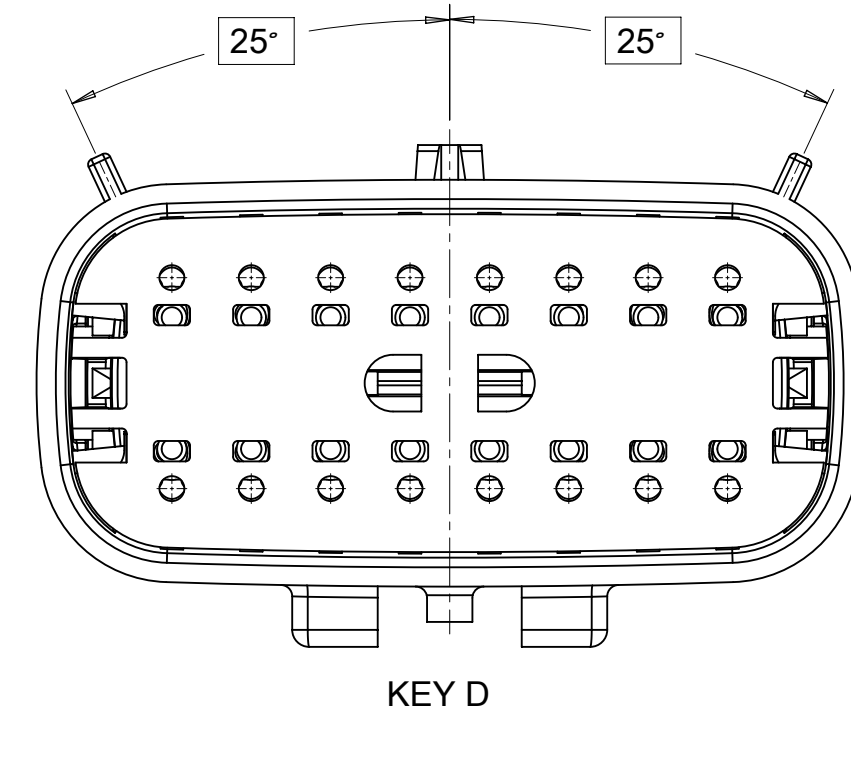
KEY A



KEY B

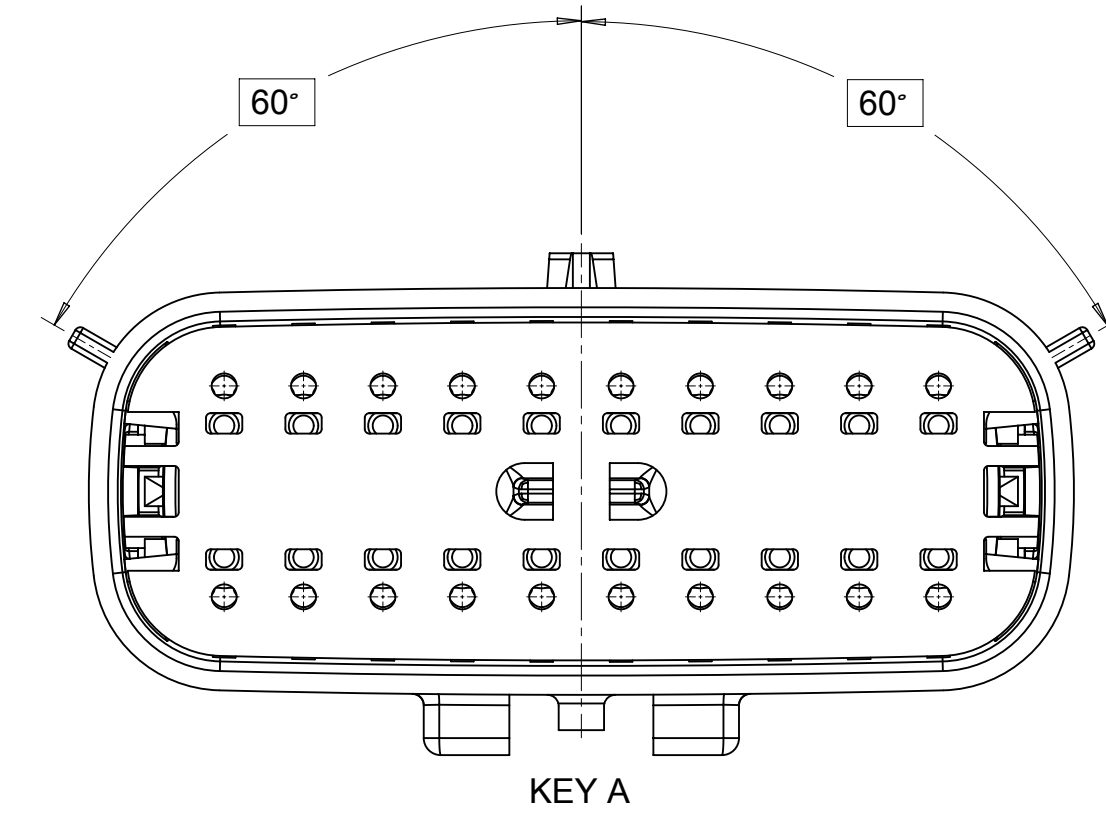


KEY C

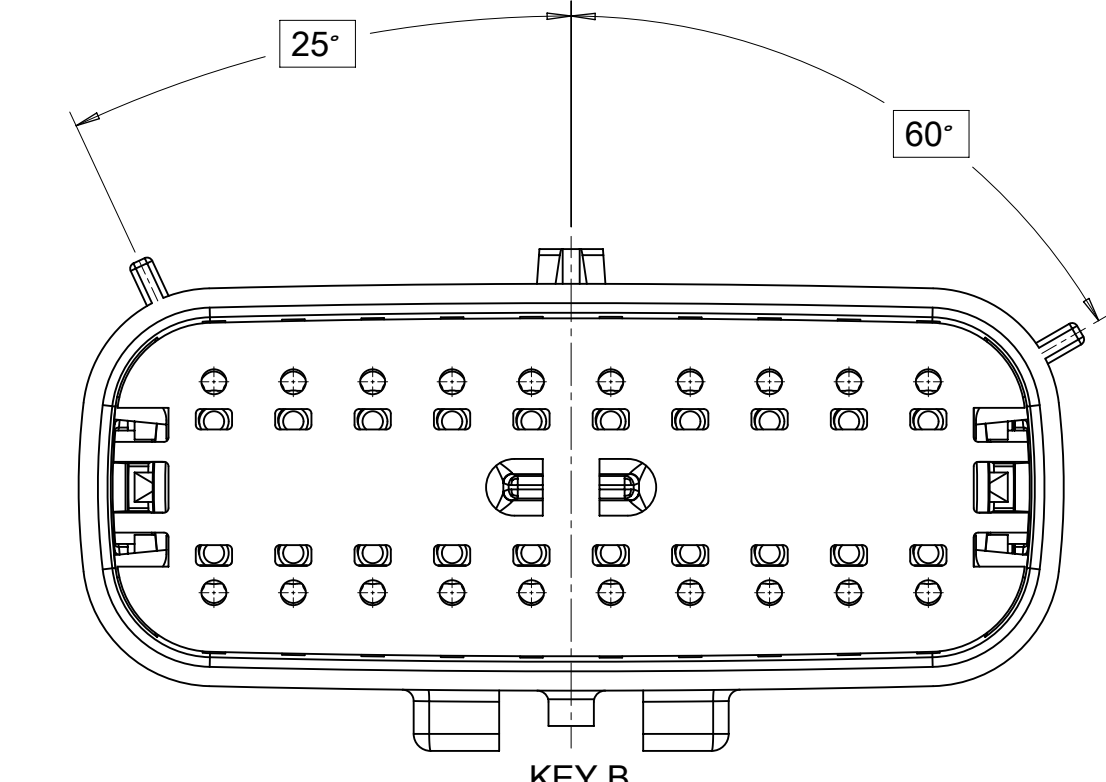


KEY D

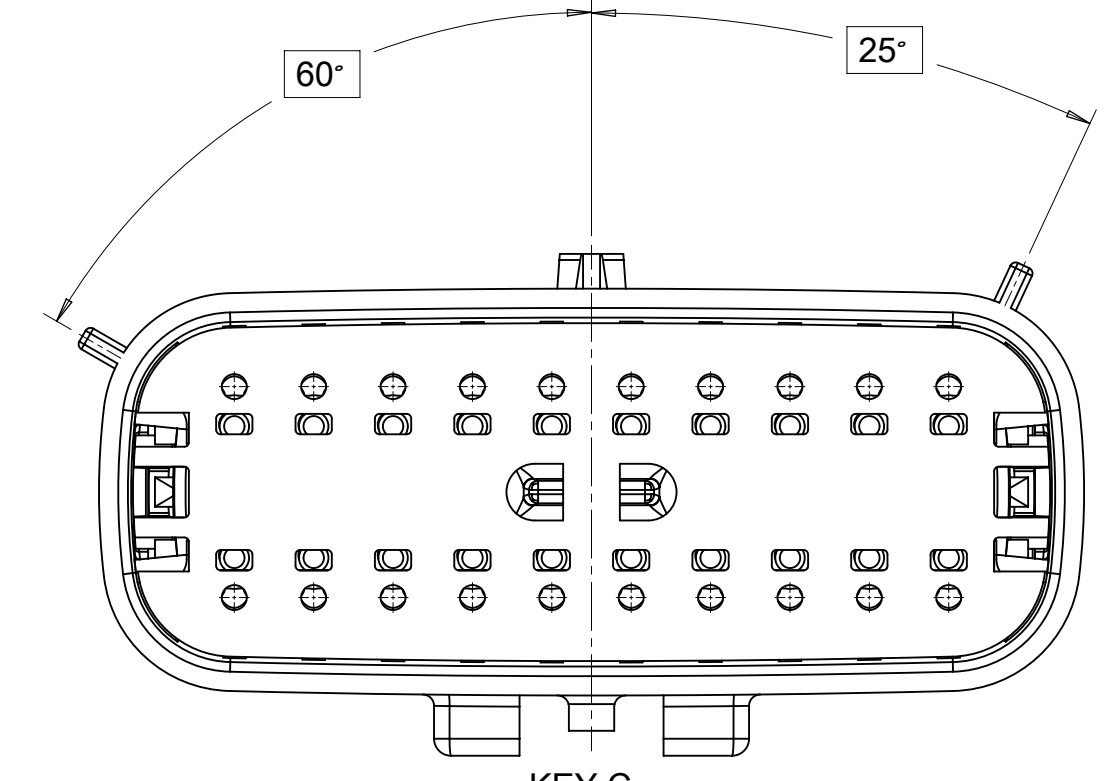
2X10



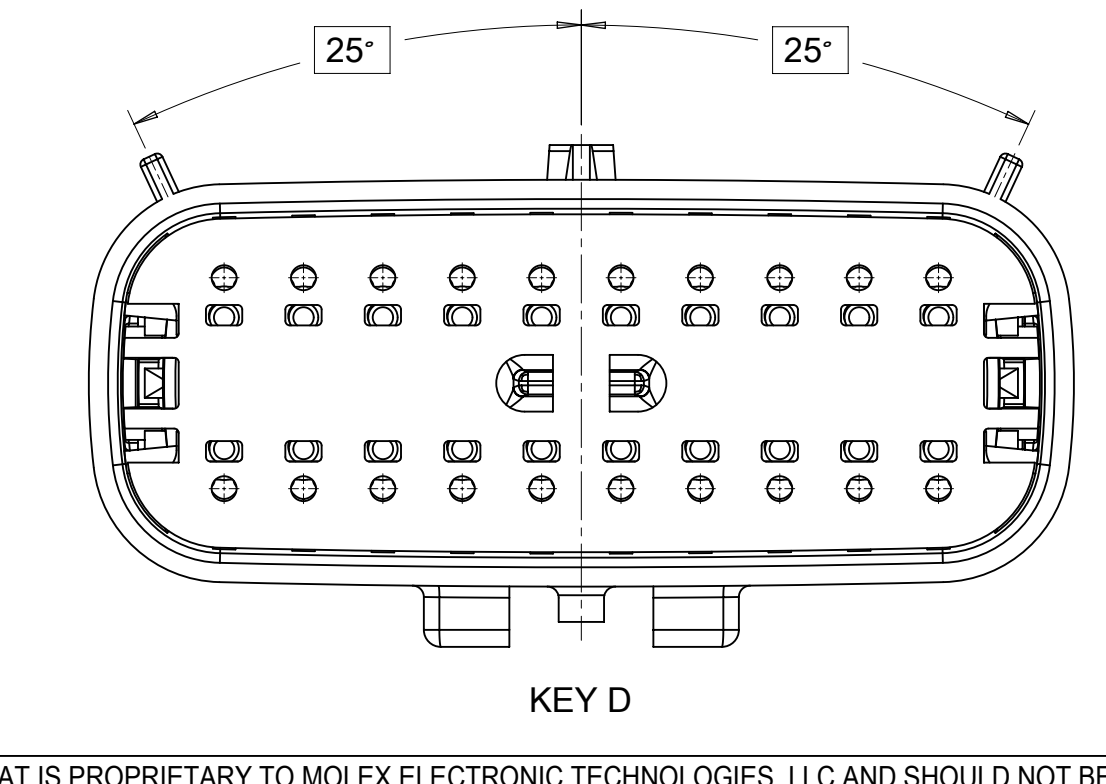
KEY A



KEY B



KEY C

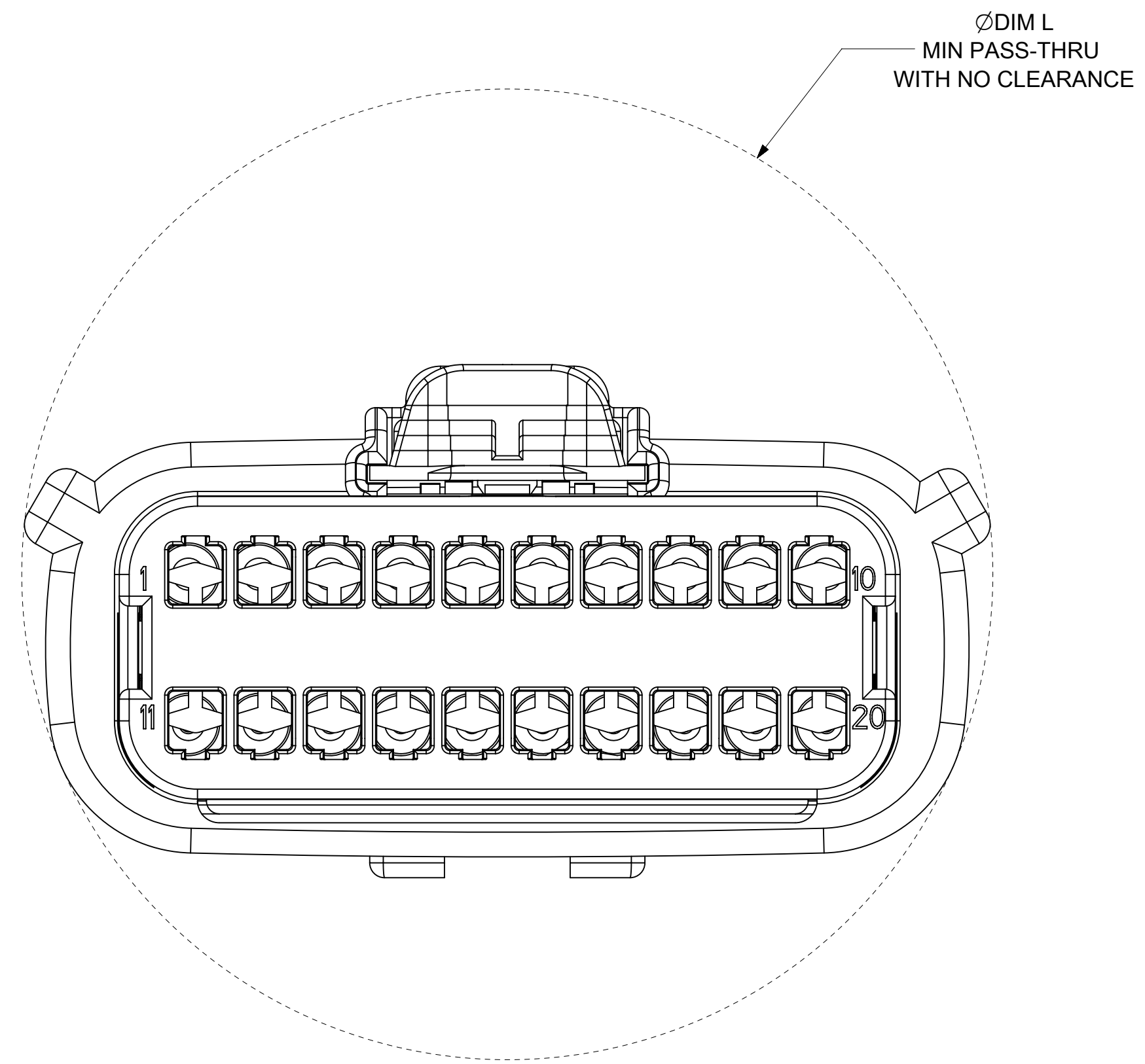
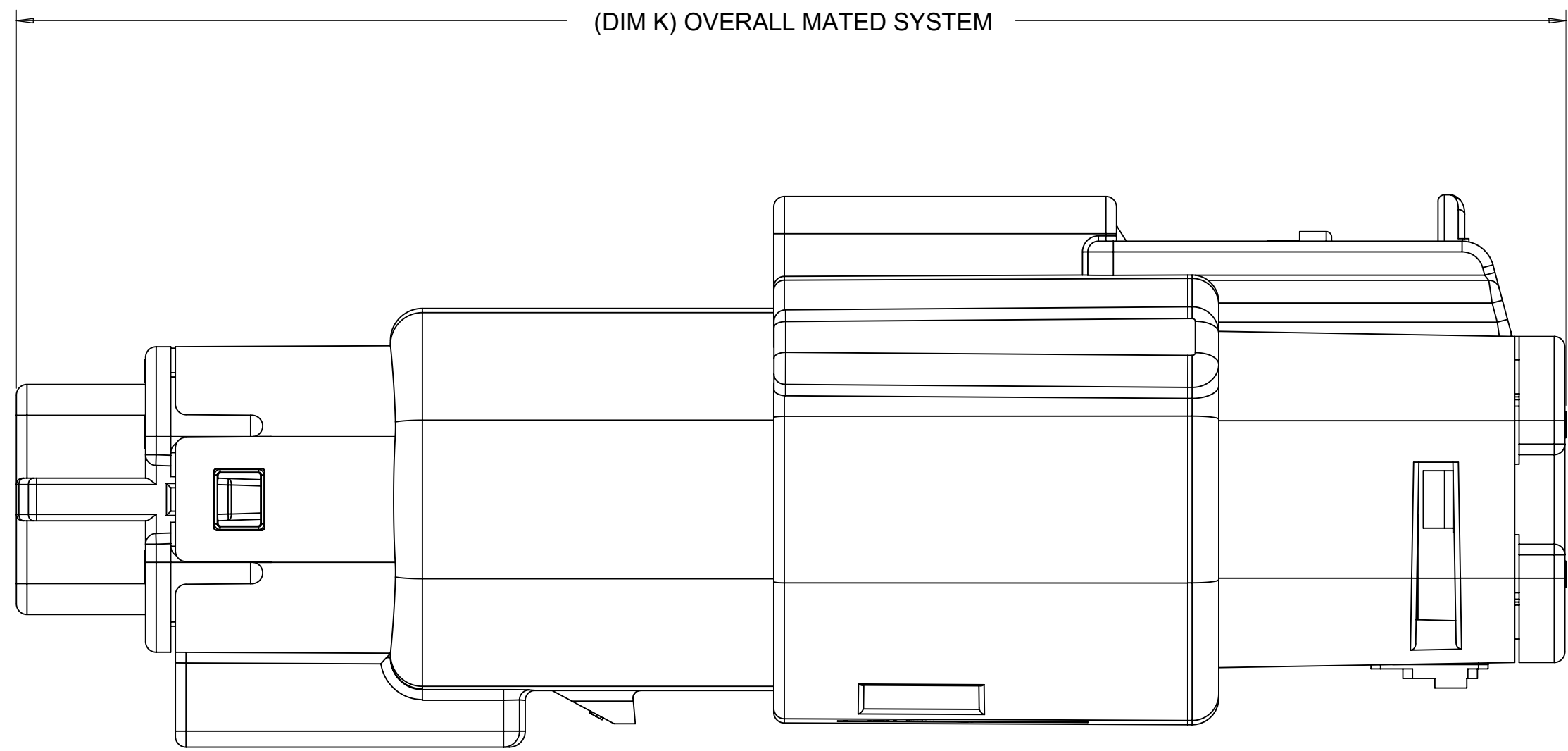


KEY D

SYMBOLS = 0 = 0 = 0 = 0 = 0 = 0 = 0 = 0	THIS DRAWING CONTAINS INFORMATION THAT IS PROPRIETARY TO MOLEX ELECTRONIC TECHNOLOGIES, LLC AND SHOULD NOT BE USED WITHOUT WRITTEN PERMISSION DIMENSION UNITS: mm SCALE: 3:1 GENERAL TOLERANCES (UNLESS SPECIFIED) ANGULAR TOL: ± 1.0° 4 PLACES ± 3 PLACES ± 2 PLACES ± 0.1 1 PLACE ± 0.2 0 PLACES ± DRAFT WHERE APPLICABLE MUST REMAIN WITHIN DIMENSIONS	CURRENT REV DESC: EC NO: 171650 DRWN: PMANJUNATHAC 2018/01/03 CHK'D: MVANSLAMBROU 2018/02/16 APPR: MVANSLAMBROU 2018/02/16 INITIAL REVISION: DRWN: APROFFITT 2014/04/28 APPR: VKOSHY 2014/05/14	 MX150 BLADE DUAL ROW SEALED ASSEMBLY MAT SEAL PRODUCT CUSTOMER DRAWING
	DOCUMENT NUMBER: SD-33482-0001 DOC TYPE: PSD DOC PART: 001 REVISION: E2	MATERIAL NUMBER: 33482 CUSTOMER: GENERAL MARKET SHEET NUMBER: 4 OF 11	

SHEET DESCRIPTION
SYSTEM PACKAGING

CHARTED DIMENSION				
CKT	BLADE CONFIGURATION	RECEPTACLE CONFIGURATION	DIMENSIONS	
			K	L
2X2	STANDARD	W/O CLIPSLOT	72.78	28.00
		W/ CLIPSLOT	72.78	28.50
		LENGTHENED	77.21	28.00
2X3	STANDARD	W/O CLIPSLOT	72.78	28.00
		W/ CLIPSLOT		30.50
	LENGTHENED	W/O CLIPSLOT	74.79	28.00
		W/ CLIPSLOT		30.50
2X4	STANDARD	W/O CLIPSLOT	72.78	29.50
		W/ CLIPSLOT		31.50
2X6	STANDARD	W/O CLIPSLOT	72.79	35.58
		W/ CLIPSLOT		
2X8	STANDARD	W/O CLIPSLOT	72.67	42.25
		W/ CLIPSLOT		
2X10	STANDARD	STANDARD	72.78	49.05



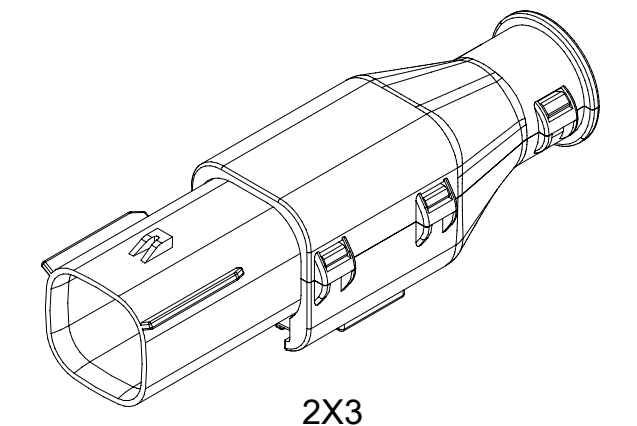
SYMBOLS ▽ = 0 ▽ = 0 ▽ = 0 ▽ = 0 ▽ = 0 ▽ = 0 ▽ = 0 ▽ = 0 ▽ = 0 ▽ = 0	THIS DRAWING CONTAINS INFORMATION THAT IS PROPRIETARY TO MOLEX ELECTRONIC TECHNOLOGIES, LLC AND SHOULD NOT BE USED WITHOUT WRITTEN PERMISSION	DIMENSION UNITS	SCALE	CURRENT REV DESC:						
	mm	4:1	EC NO: 171650 DRWN: PMANJUNATHAC 2018/01/03 CHK'D: MVANSLAMBROU 2018/02/16 APPR: MVANSLAMBROU 2018/02/16							
	GENERAL TOLERANCES (UNLESS SPECIFIED)				INITIAL REVISION:			DOCUMENT NUMBER		
	ANGULAR TOL ± 1.0°				DRWN: APROFFITT 2014/04/28			SD-33482-0001		
	4 PLACES ±				APPR: VKOSHY 2014/05/14			DOC TYPE DOC PART REVISION		
	3 PLACES ±				DRAFT WHERE APPLICABLE MUST REMAIN WITHIN DIMENSIONS			PSD 001 E2		
	2 PLACES ± 0.1				THIRD ANGLE PROJECTION			MATERIAL NUMBER		
	1 PLACE ± 0.2				DRAWING			CUSTOMER		
	0 PLACES ±				A1-SIZE			GENERAL MARKET		
	0 PLACES ±				SERIES			SHEET NUMBER		
				33482			6 OF 11			

SHEET DESCRIPTION
BACKSHELL NOTES

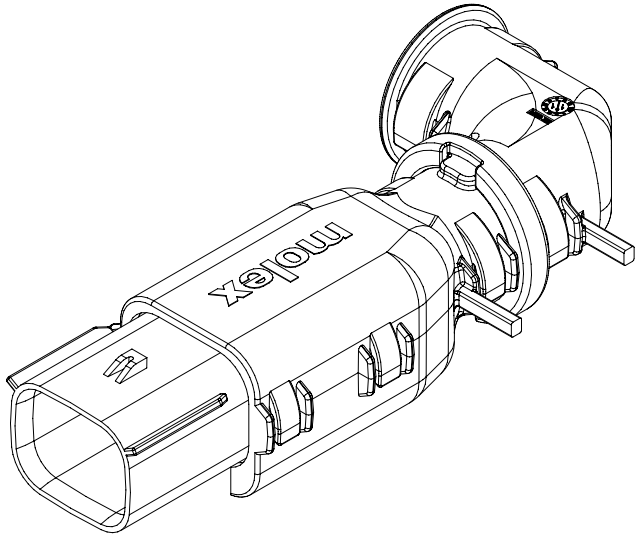
BACKSHELL NOTES: VALID UNLESS OTHERWISE SPECIFIED

1. GENERAL:

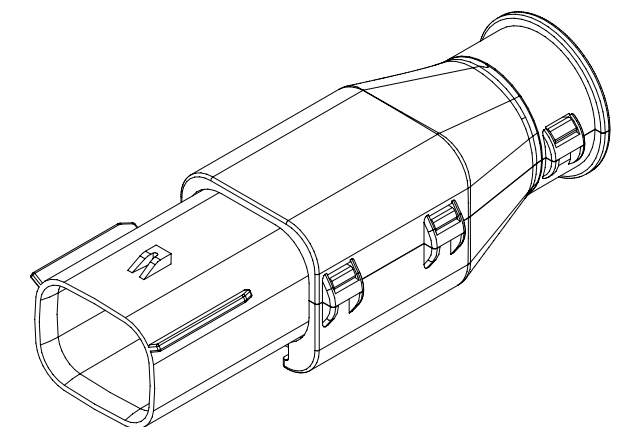
- a. APPLICATION SPECIFICATION SEE: AS-34951-001
- DESIGNED TO MATE WITH BLADE SEALED ASSEMBLY SPECIFIED IN MOLEX DRAWING SD-33482-0001.
- SYSTEM TO BE USED WITH WIRE WITHIN DIAMETER RANGE OF 1.2mm TO 2.69mm.
- COMPONENTS ARE OPTIONAL AND MUST BE PURCHASED SEPERATELY.
- DESIGN IS OWNED BY SCHLEMMER FOR SCHLEMMER BACKSHELL.
- DESIGN IS OWNED BY MOLEX FOR MOLEX BACKSHELL.
- 90° ADAPTOR DESIGN IS OWNED BY MOLEX.
- FOR ADDITIONAL INFORMATION SEE THE BACKSHELL COMPONENT DRAWING SD-34950-0001.



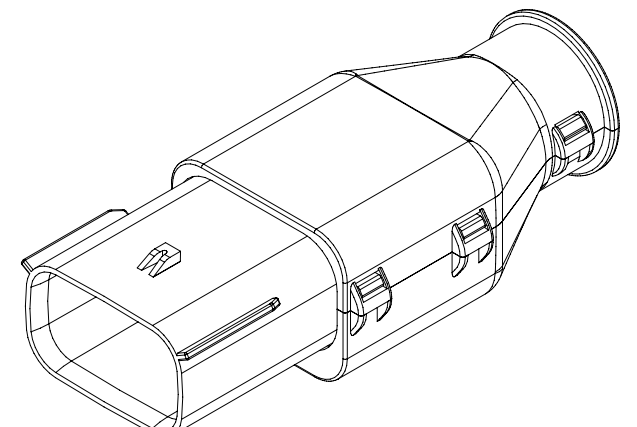
2X3



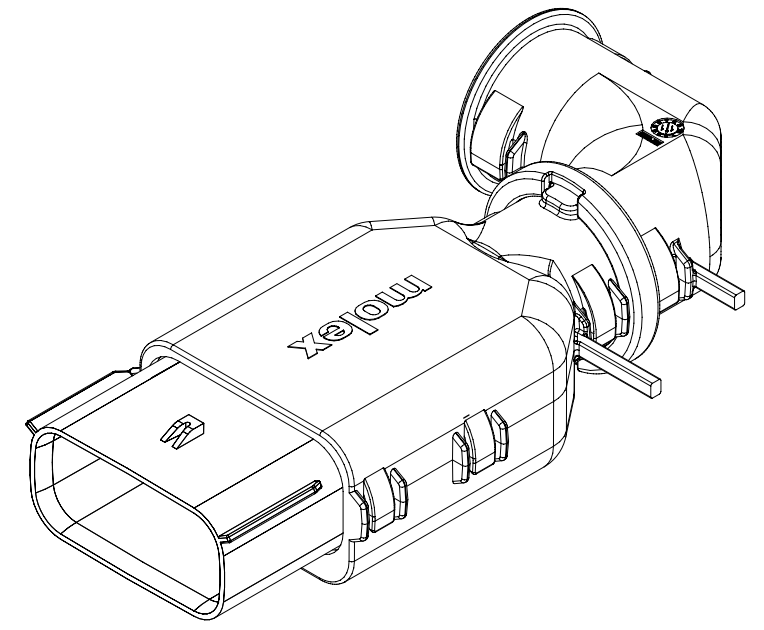
2X4



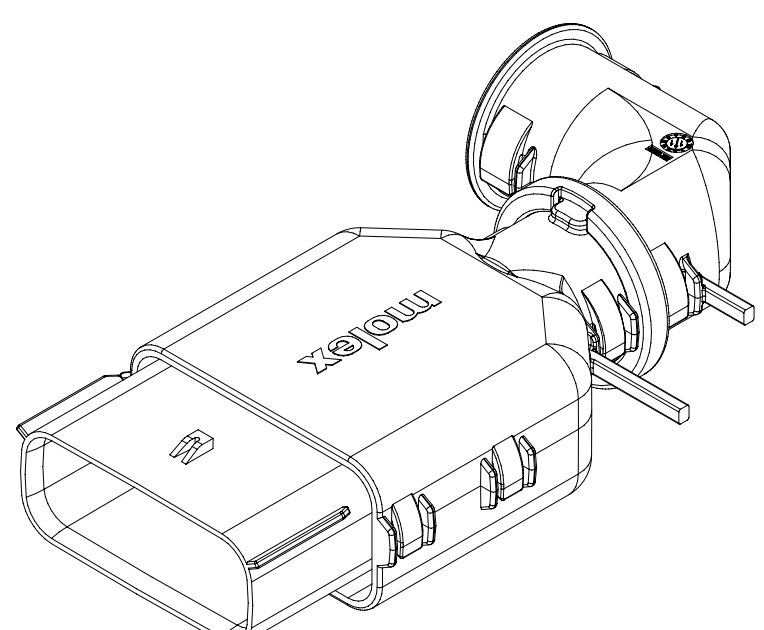
2X4



2X6



2X8



2X10

BACKSHELL CUSTOMER MODEL NUMBER LEGEND

34950-XXXX

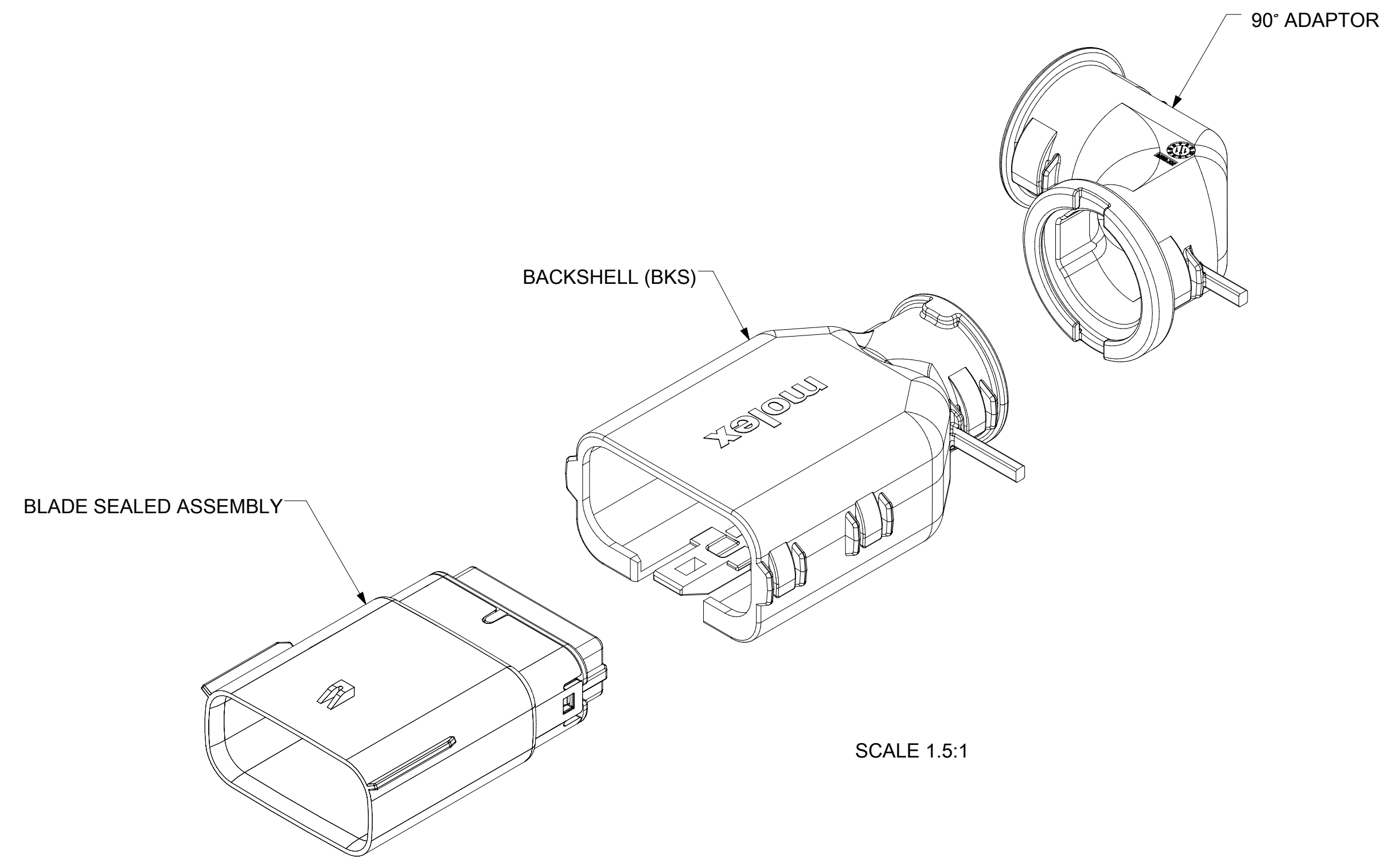
CUSTOMER MODEL COMPONENTS

- 0 - SCHLEMMER BACKSHELL ONLY
- 1 - SCHLEMMER BACKSHELL & MX150 HOUSING KEY A ASSEMBLY
- 2 - SCHLEMMER BACKSHELL & MX150 HOUSING KEY B ASSEMBLY
- 3 - SCHLEMMER BACKSHELL & MX150 HOUSING KEY C ASSEMBLY
- 4 - SCHLEMMER BACKSHELL & MX150 HOUSING KEY D ASSEMBLY
- 5 - MOLEX BACKSHELL ONLY
- 6 - MOLEX BACKSHELL & MX150 HOUSING KEY A ASSEMBLY
- 7 - MOLEX BACKSHELL & MX150 HOUSING KEY B ASSEMBLY
- 8 - MOLEX BACKSHELL & MX150 HOUSING KEY C ASSEMBLY
- 9 - MOLEX BACKSHELL & MX150 HOUSING KEY D ASSEMBLY

BACKSHELL FEATURES

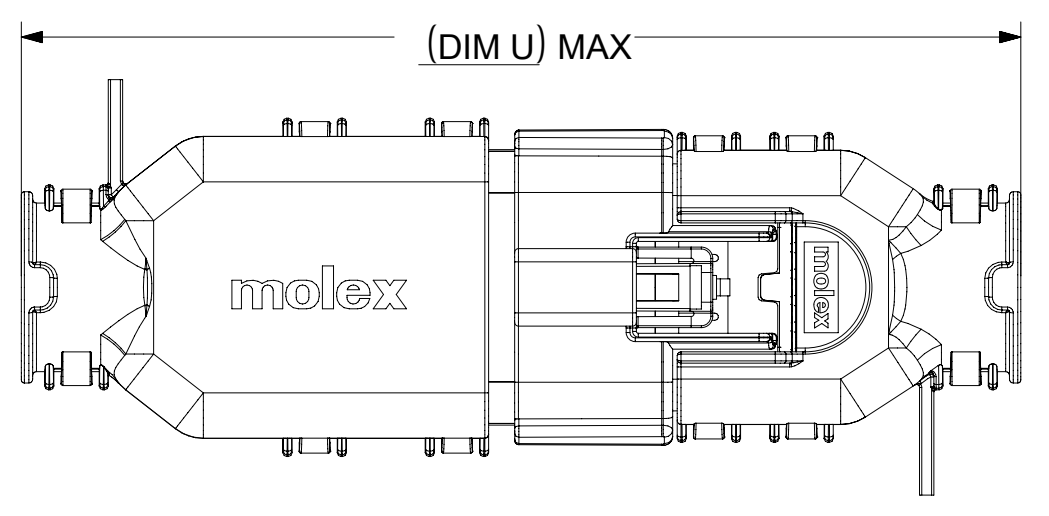
- 1 - WITH RIBS
- 2 - WITHOUT RIBS
- 3 - 90° ADAPTOR

MX150 CIRCUIT SIZE 04, 06, 08, 12, 16, 20

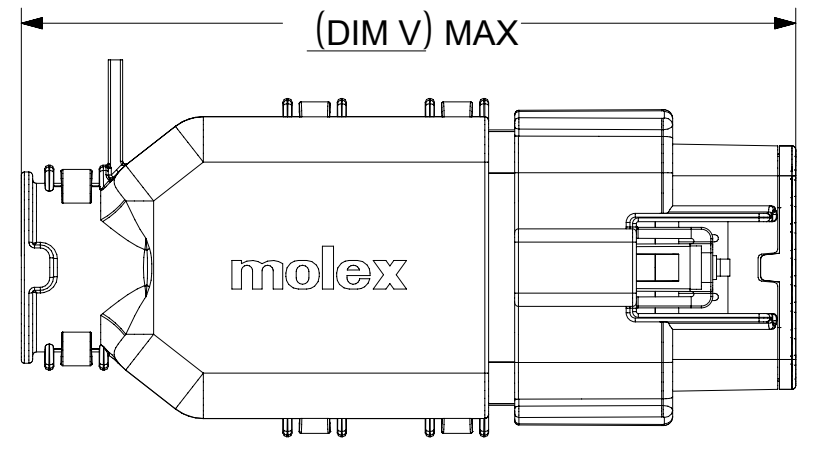
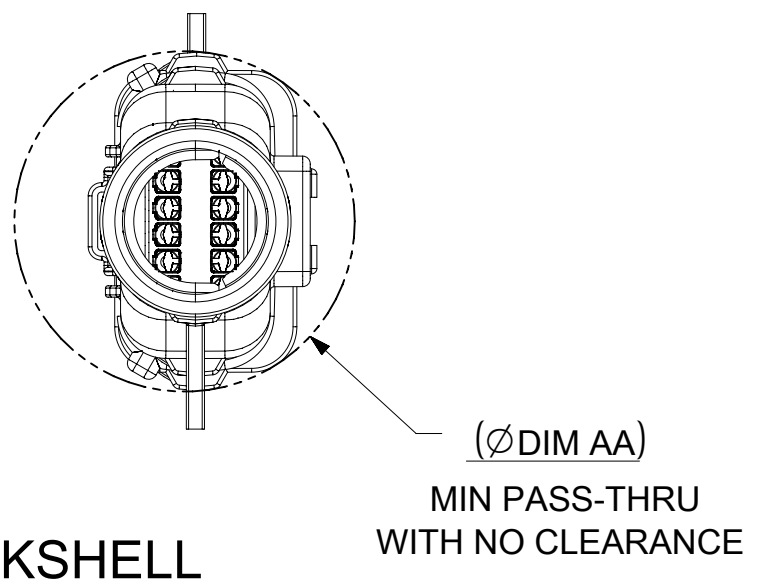


SYMBOLS	THIS DRAWING CONTAINS INFORMATION THAT IS PROPRIETARY TO MOLEX ELECTRONIC TECHNOLOGIES, LLC AND SHOULD NOT BE USED WITHOUT WRITTEN PERMISSION		CURRENT REV DESC:						
	DIMENSION UNITS	SCALE						EC NO: 171650	DRWN: PMANJUNATHAC 2018/01/03
▽ = 0	mm	1.5:1	DRWN: APROFFITT 2014/04/28	CHK'D: MVANSLAMBROU 2018/02/16	SD-33482-0001	PSD	001	E2	
▽ = 0	GENERAL TOLERANCES (UNLESS SPECIFIED)		APPR: VKOSHY 2014/05/14	APPR: MVANSLAMBROU 2018/02/16					PRODUCT CUSTOMER DRAWING
▽ = 0	ANGULAR TOL ± 1.0°		INITIAL REVISION:		DOCUMENT NUMBER			SHEET NUMBER	
▽ = 0	4 PLACES ±		DRWN: APROFFITT 2014/04/28		MATERIAL NUMBER			CUSTOMER	
▽ = 0	3 PLACES ±		APPR: VKOSHY 2014/05/14		SERIES			SHEET NUMBER	
▽ = 0	2 PLACES ± 0.1		DRAWING		GENERAL MARKET			7 OF 11	
▽ = 0	1 PLACE ± 0.2		THIRD ANGLE PROJECTION		CUSTOMER			SHEET NUMBER	
▽ = 0	0 PLACES ±		DRAWING		GENERAL MARKET			7 OF 11	
▽ = 0	DRAFT WHERE APPLICABLE MUST REMAIN WITHIN DIMENSIONS		A1-SIZE		CUSTOMER			SHEET NUMBER	
▽ = 0			33482		GENERAL MARKET			7 OF 11	

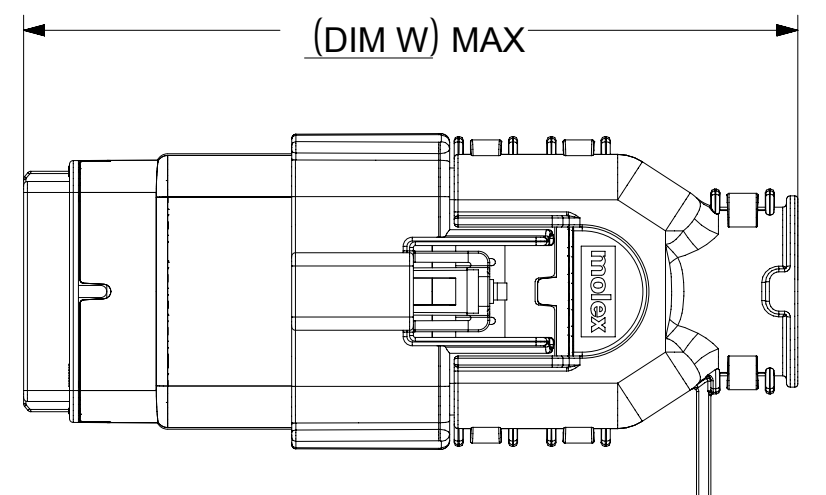
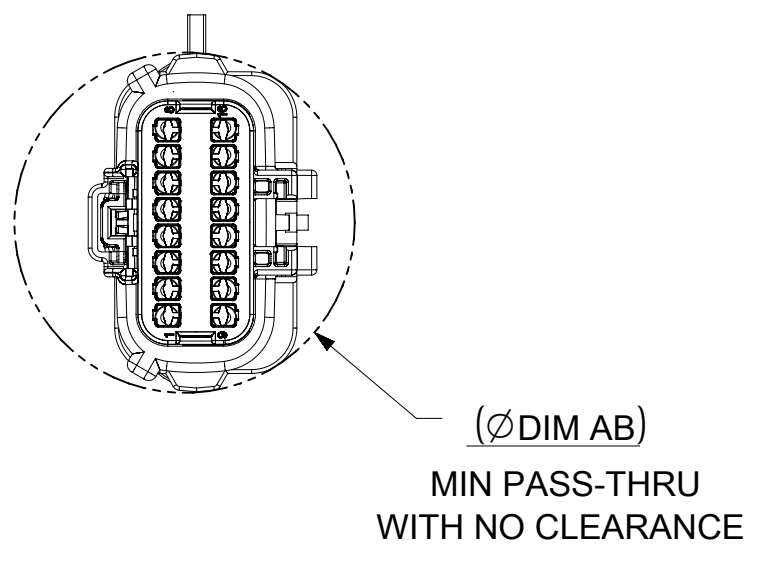
SHEET DESCRIPTION
MOLEX BACKSHELL CONFIGURATIONS



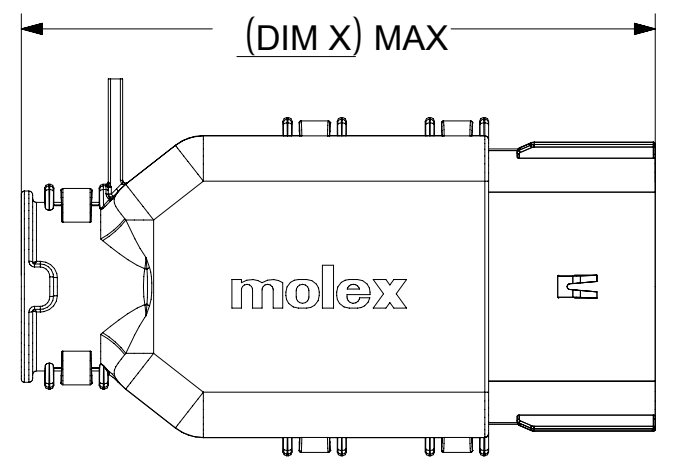
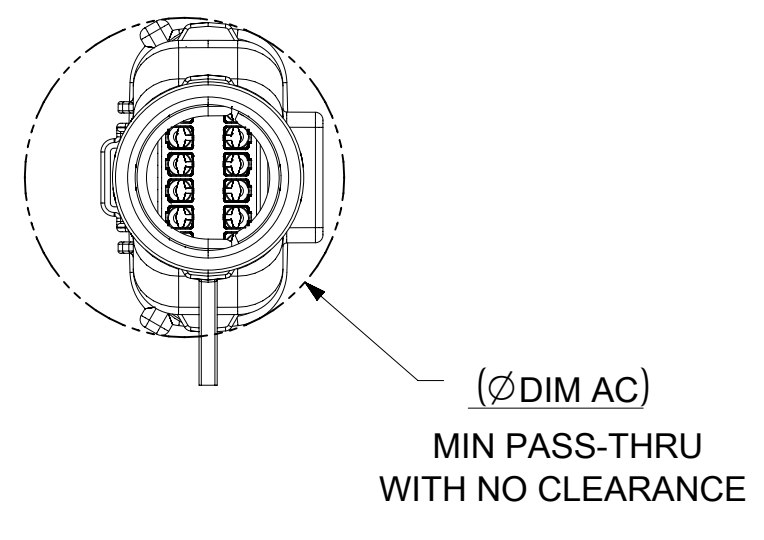
OVERALL MATED SYSTEM WITH BLADE AND RECEPTACLE BACKSHELL



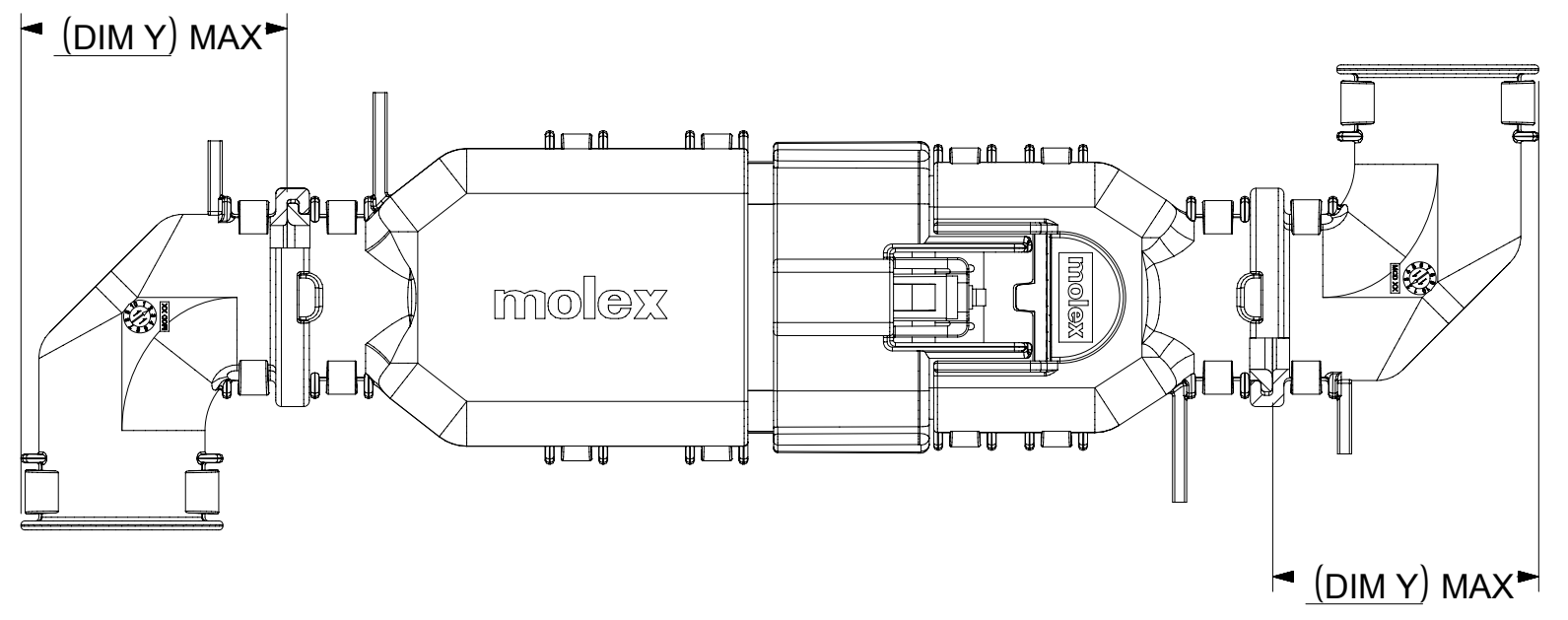
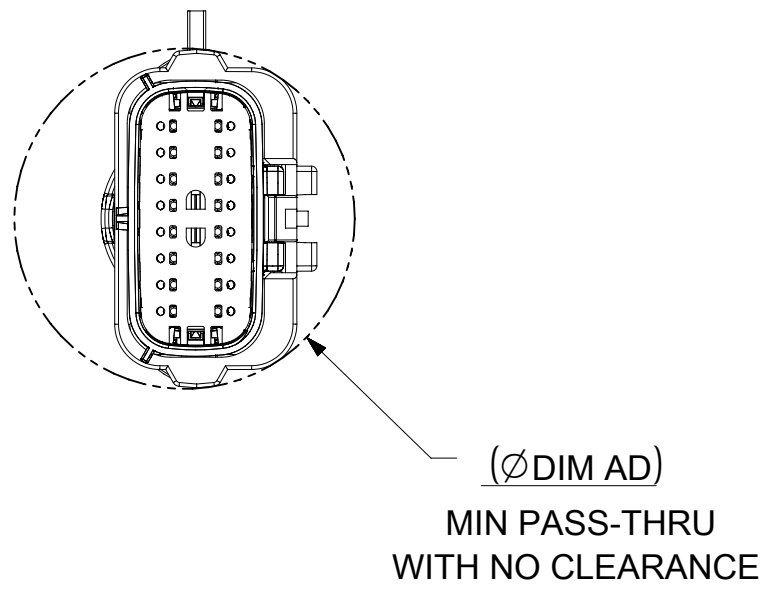
OVERALL MATED SYSTEM WITH BLADE BACKSHELL



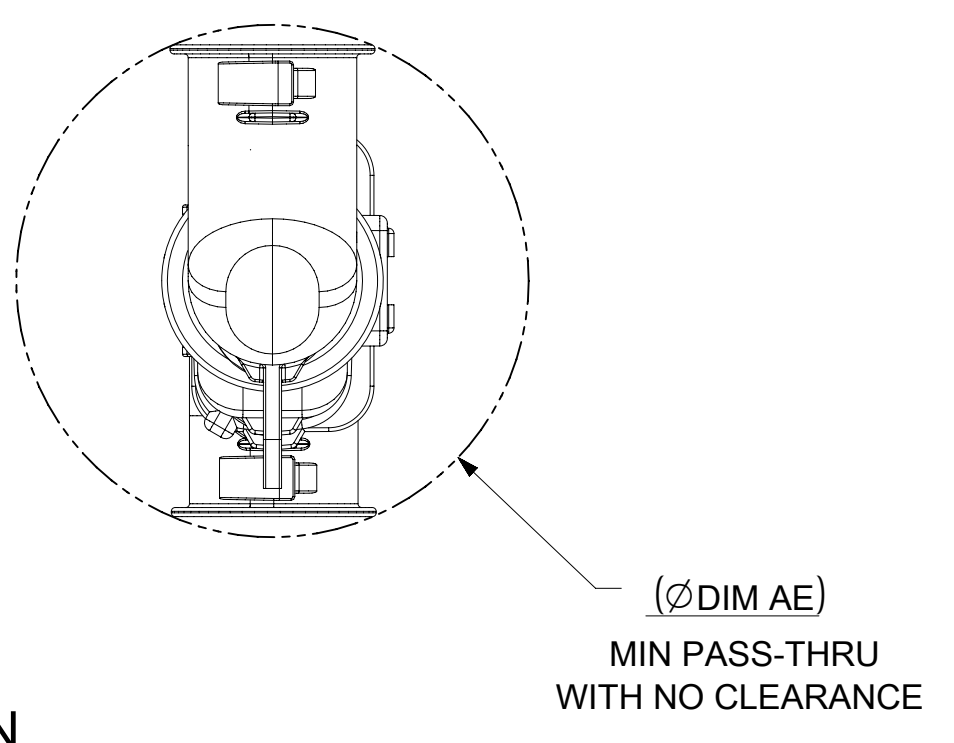
OVERALL MATED SYSTEM WITH RECEPTACLE BACKSHELL



BLADE SEALED ASSEMBLY WITH BLADE BACKSHELL



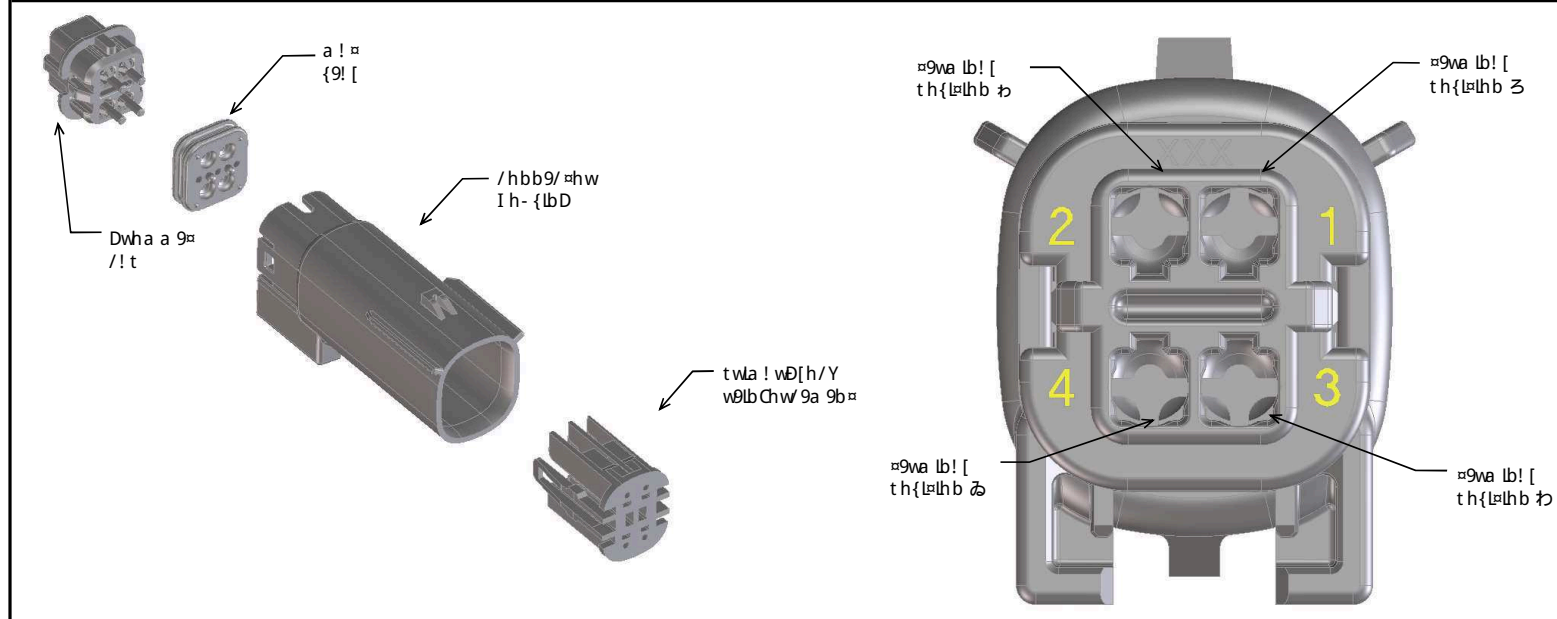
ADD THE VALUE OF 'Y' TO THE TOTAL DIMENSION WHENEVER ADAPTOR IS USED



CHARTED DIMENSIONS

CKT	BLADE CONFIGURATION	RECEPTACLE CONFIGURATION	DIMENSIONS									
			U	V	W	X	Y	AA	AB	AC	AD	AE
2X4	STANDARD	STANDARD	115.24	94.36	93.93	75.62	32.10	32.93	32.54	32.85	31.76	56.81
2X8	STANDARD	STANDARD	132.49	102.81	102.73	84.07	36.10	45.44	45.44	42.65	45.44	68.18
2X10	STANDARD	STANDARD	132.49	102.81	102.73	84.07	36.10	45.44	45.44	42.65	45.44	68.18

SYMBOLS = 0 = 0 = 0 = 0 = 0 = 0 = 0 = 0 = 0	THIS DRAWING CONTAINS INFORMATION THAT IS PROPRIETARY TO MOLEX ELECTRONIC TECHNOLOGIES, LLC AND SHOULD NOT BE USED WITHOUT WRITTEN PERMISSION DIMENSION UNITS: mm SCALE: 1:1	CURRENT REV DESC: EC NO: 171650 DRWN: PMANJUNATHAC 2018/01/03 CHK'D: MVANSLAMBROU 2018/02/16 APPR: MVANSLAMBROU 2018/02/16	 MX150 BLADE DUAL ROW SEALED ASSEMBLY MAT SEAL		
	GENERAL TOLERANCES (UNLESS SPECIFIED) ANGULAR TOL ± 1.0° 4 PLACES ± 3 PLACES ± 2 PLACES ± 0.1 1 PLACE ± 0.2 0 PLACES ± DRAFT WHERE APPLICABLE MUST REMAIN WITHIN DIMENSIONS	INITIAL REVISION: DRWN: APROFFITT 2014/04/28 APPR: VKOSHY 2014/05/14	PRODUCT CUSTOMER DRAWING DOCUMENT NUMBER: SD-33482-0001 DOC TYPE: PSD DOC PART: 001 REVISION: E2	MATERIAL NUMBER	CUSTOMER
	THIRD ANGLE PROJECTION	DRAWING	SERIES		
		A1-SIZE	33482	GENERAL MARKET	11 OF 11

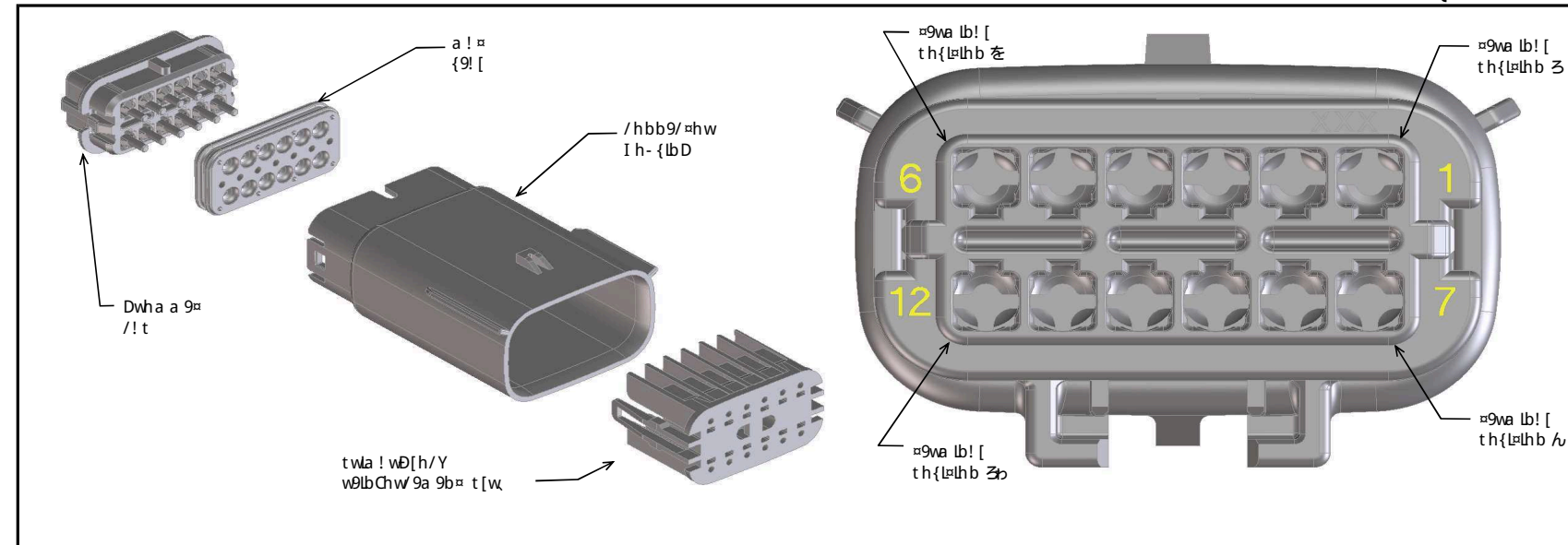


! . w0! ll =lhb	59{/wlt =lhb	/h[hw	a! =9wll [
! [Y	I h- {lbD=9ElbD ht =lhb !	. [! /Y	{t{lbE[hb DC#
. [ED	I h- {lbD=9ElbD ht =lhb .	[lDI = Dw E	{t{lbE[hb DC#
/ [EW	I h- {lbD=9ElbD ht =lhb /	. wh° b	{t{lbE[hb DC#
5 [Dw	I h- {lbD=9ElbD ht =lhb 5	Dw09b	{t{lbE[hb DC#
/ [SD	I h- {lbD=9ElbD ht =lhb /	5! wD Dw E	{t{lbE[hb DC#
5 [ED	I h- {lbD=9ElbD ht =lhb 5	{=hb9 Dw E	{t{lbE[hb DC#
! [E°	I h- {lbD=9ElbD ht =lhb !	09[h°	{t{lbE[hb DC#
D/t	Dwha a 9=/! t t[- DD95、	. [! /Y	{t{lbE[hb DC#
D/h	Dwha a 9=/! t ht9b、	. [! /Y	{t{lbE[hb DC#
t[w	t[w	b! =- w [{t{lbE[hb DC#
a	a! = {9! [whE [. [- 9	lbI 9w0b=[D[- . w/! =95 {l[l/hb9

Chw! 55lehb! [lbChwa! =lhb {99 {5 [hbb9/ hwh I h- {lbD

! {9a . [D59{/wlt =lhb	! {9a . [D t! w° b- a . 9w	/ha thb9b=				. [h/Y95 =9wa lb! [{										{=l = {	/ha a 9b={	ht =lhb! [! =l = {I a 9b={ {h {5 {9t 9w =9 [D		
		I h- {lbD Y9Dw[h[hw	Dwha a 9 /! t	t[w	a! = {9! [ゝ	わ	わ	ゐ											! /Y{I 9[° lE! wL {
Y9D! [! /Y	アズチエック	! [Y	D/h	t[w	a														{! [9! . [9	
Y9D. [lDI = Dw E	アズチエック	. [ED	D/h	t[w	a														{! [9! . [9	
Y9D/ [wh° b	アズチエック	/ [EW	D/h	t[w	a														bh=w0/ ha a 9b595	{99 アズチエック
Y9D5 [Dw09b	アズチエック	5 [Dw	D/h	t[w	a														bh=w0/ ha a 9b595	{99 アズチエック
Y9D! [! /Y	アズチエック	! [Y	D/t	t[w	a														{! [9! . [9	
Y9D. [lDI = Dw E	アズチエック	. [ED	D/t	t[w	a														{! [9! . [9	
Y9D/ [wh° b	アズチエック	/ [EW	D/t	t[w	a														bh=w0/ ha a 9b595	{99 アズチエック
Y9D5 [Dw09b	アズチエック	5 [Dw	D/t	t[w	a														bh=w0/ ha a 9b595	{99 アズチエック
Y9D! [! /Y	アズチエック	! [Y	D/t	t[w	a														{! [9! . [9	
Y9D. [lDI = Dw E	アズチエック	. [ED	D/t	t[w	a														{! [9! . [9	
Y9D/ [wh° b	アズチエック	/ [EW	D/t	t[w	a														bh=w0/ ha a 9b595	{99 アズチエック
Y9D5 [Dw09b	アズチエック	5 [Dw	D/t	t[w	a														bh=w0/ ha a 9b595	{99 アズチエック
Y9D! [! /Y	アズチエック	! [Y	D/t	t[w	a														{! [9! . [9	
Y9D. [lDI = Dw E	アズチエック	. [ED	D/t	t[w	a														{! [9! . [9	
Y9D/ [wh° b	アズチエック	/ [EW	D/t	t[w	a														bh=w0/ ha a 9b595	{99 アズチエック
Y9D5 [Dw09b	アズチエック	5 [Dw	D/t	t[w	a														bh=w0/ ha a 9b595	{99 アズチエック
Y9D! [! /Y	アズチエック	! [Y	D/t	t[w	a														{! [9! . [9	
Y9D. [lDI = Dw E	アズチエック	. [ED	D/t	t[w	a														{! [9! . [9	
Y9D/ [wh° b	アズチエック	/ [EW	D/t	t[w	a														bh=w0/ ha a 9b595	{99 アズチエック
Y9D5 [Dw09b	アズチエック	5 [Dw	D/t	t[w	a														bh=w0/ ha a 9b595	{99 アズチエック
Y9D! [! /Y	アズチエック	! [Y	D/t	t[w	a														{! [9! . [9	
Y9D. [lDI = Dw E	アズチエック	. [ED	D/t	t[w	a														{! [9! . [9	
Y9D/ [wh° b	アズチエック	/ [EW	D/t	t[w	a														bh=w0/ ha a 9b595	{99 アズチエック
Y9D5 [Dw09b	アズチエック	5 [Dw	D/t	t[w	a														bh=w0/ ha a 9b595	{99 アズチエック
Y9D! [! /Y	アズチエック	! [Y	D/t	t[w	a														{! [9! . [9	
Y9D. [lDI = Dw E	アズチエック	. [ED	D/t	t[w	a														{! [9! . [9	
Y9D/ [wh° b	アズチエック	/ [EW	D/t	t[w	a														bh=w0/ ha a 9b595	{99 アズチエック
Y9D5 [Dw09b	アズチエック	5 [Dw	D/t	t[w	a														bh=w0/ ha a 9b595	{99 アズチエック
Y9D! [! /Y	アズチエック	! [Y	D/t	t[w	a														{! [9! . [9	
Y9D. [lDI = Dw E	アズチエック	. [ED	D/t	t[w	a														{! [9! . [9	
Y9D/ [wh° b	アズチエック	/ [EW	D/t	t[w	a														bh=w0/ ha a 9b595	{99 アズチエック
Y9D5 [Dw09b	アズチエック	5 [Dw	D/t	t[w	a														bh=w0/ ha a 9b595	{99 アズチエック
Y9D! [! /Y	アズチエック	! [Y	D/t	t[w	a														{! [9! . [9	
Y9D. [lDI = Dw E	アズチエック	. [ED	D/t	t[w	a														{! [9! . [9	
Y9D/ [wh° b	アズチエック	/ [EW	D/t	t[w	a														bh=w0/ ha a 9b595	{99 アズチエック
Y9D5 [Dw09b	アズチエック	5 [Dw	D/t	t[w	a														bh=w0/ ha a 9b595	{99 アズチエック
Y9D! [! /Y	アズチエック	! [Y	D/t	t[w	a														{! [9! . [9	
Y9D. [lDI = Dw E	アズチエック	. [ED	D/t	t[w	a														{! [9! . [9	
Y9D/ [wh° b	アズチエック	/ [EW	D/t	t[w	a														bh=w0/ ha a 9b595	{99 アズチエック
Y9D5 [Dw09b	アズチエック	5 [Dw	D/t	t[w	a														bh=w0/ ha a 9b595	{99 アズチエック
Y9D! [! /Y	アズチエック	! [Y	D/t	t[w	a														{! [9! . [9	
Y9D. [lDI = Dw E	アズチエック	. [ED	D/t	t[w	a														{! [9! . [9	
Y9D/ [wh° b	アズチエック	/ [EW	D/t	t[w	a														bh=w0/ ha a 9b595	{99 アズチエック
Y9D5 [Dw09b	アズチエック	5 [Dw	D/t	t[w	a														bh=w0/ ha a 9b595	{99 アズチエック
Y9D! [! /Y	アズチエック	! [Y	D/t	t[w	a														{! [9! . [9	
Y9D. [lDI = Dw E	アズチエック	. [ED	D/t	t[w	a														{! [9! . [9	
Y9D/ [wh° b	アズチエック	/ [EW	D/t	t[w	a														bh=w0/ ha a 9b595	{99 アズチエック
Y9D5 [Dw09b	アズチエック	5 [Dw	D/t	t[w	a														bh=w0/ ha a 9b595	{99 アズチエック
Y9D! [! /Y	アズチエック	! [Y	D/t	t[w	a														{! [9! . [9	
Y9D. [lDI = Dw E	アズチエック	. [ED	D/t	t[w	a														{! [9! . [9	
Y9D/ [wh° b	アズチエック	/ [EW	D/t	t[w	a														bh=w0/ ha a 9b595	{99 アズチエック
Y9D5 [Dw09b	アズチエック	5 [Dw	D/t	t[w	a														bh=w0/ ha a 9b595	{99 アズチエック

! {{9a . [D59{/wt =lhb	! {{9a . [D t! w= b- a . 9w	/ha thb9b=				. [h/Y95 =9wa lb! [{											{m = {	/ha a 9b={	ht =lhb! [! m= /I a 9b={ {h[5 {9t 9w =9[Đ				
		=I 9tw0(9b/9hC! b! . . w0! ll =lhb lb5L! =9[=I 9 tw0(9b/9hC=I! =/ha thb9b=				/! ' l=Đ° l=I ! b- a . 9wlb5L! =9[. [h/Y95 =9wa lb! [th{l=hb /! ' l=Đ° l=I h- =! b- a . 9wlb5L! =9[ht9b =9wa lb! [th{l=hb													./Y{I 9[[° l=I wL {	./Y{I 9[[° l=I h- = wL {			
		I h- {lbD Y9D= h[hw	Dwha a 9=	t[w	a! = {9! [ろ	わ	わ	ゐ	ゑ	を												
Y9D! 9[! /Y	!	D/	t[w	a															{! [9! . [9				
Y9D. =f[DI = Dw E	.	D/	t[w	a															{! [9! . [9				
Y9D/ =5! wW Dw E	/	D/	t[w	a															{! [9! . [9				
Y9D! 9[! /Y	!	D/	t[w	a															{! [9! . [9				
Y9D! 9[! /Y	!	D/	t[w	a															{! [9! . [9				
Y9D! 9[! /Y	!	D/	t[w	a															{! [9! . [9				
Y9D! 9[! /Y	!	D/	t[w	a															{! [9! . [9				
Y9D! 9[! /Y	!	D/	t[w	a															{! [9! . [9				
Y9D! 9[! /Y	!	D/	t[w	a															{! [9! . [9				
Y9D! 9[! /Y	!	D/	t[w	a															{! [9! . [9				
Y9D. =f[DI = Dw E	.	D/	t[w	a															{! [9! . [9				
Y9D. =f[DI = Dw E	.	D/	t[w	a															{! [9! . [9				
Y9D! 9[! /Y	!	D/	t[w	a															{! [9! . [9				
Y9D! 9[! /Y	!	D/	t[w	a															{! [9! . [9				
Y9D. =f[DI = Dw E	.	D/	t[w	a															{! [9! . [9				



! . w9! ll =lhb	59/wt =lhb	/h[hw	a! =9wll [
! [Y	I h- {lbD=99bD ht =lhb!	. [! /Y	{t { 9b[hb DC#
. [D	I h- {lbD=99bD ht =lhb .	[lDI =Dw E	{t { 9b[hb DC#
/ [w	I h- {lbD=99bD ht =lhb /	. wh° b	{t { 9b[hb DC#
5 [Dw	I h- {lbD=99bD ht =lhb 5	Dw99b	{t { 9b[hb DC#
! [E	I h- {lbD=99bD ht =lhb!	D9[h°	{t { 9b[hb DC#
/ [SD	I h- {lbD=99bD ht =lhb /	5! wW Dw E	{t { 9b[hb DC#
5 [D	I h- {lbD=99bD ht =lhb 5	{=hb9Dw E	{t { 9b[hb DC#
D/t	Dwha a 9a /! t t[- DD95、	. [! /Y	{t { 9b[hb DC#
t [w	t [w	b! = w [{t { 9b[hb DC#
a [a! = 9! [w { =w95	lbI 9w9b=[D[- . w! =95 {ll/hb9
a [a! = 9! [whE [. [- 9	lbI 9w9b=[D[- . w! =95 {ll/hb9

Chw! 55lehb! [lbChwa! =lhb {99 {5 [9b9b

! {9a . [D59/wt =lhb	! {9a . [Dt! wa b- a . 9w	. [h/Y95 =9wa lb! [{																{ = {	/ ha a 9b=	ht =lhb! [! =! =/I a 9b= {h[5 {9t 9w =9 [D			
		/ ha thb9b=				/! ' leD° leI b- a . 9wlb5L! =9 [. [h/Y95 =9wa lb! [th{lehb /! ' leD° leI h- =! b- a . 9wlb5L! =9 [ht 9b =9wa lb! [th{lehb														./Y [I 9 [° leI wL {	./Y [I 9 [° leI h- = wL {		
		I h- {lbD Y9D=h[hw	Dwha a 9a /! t	t [w	a! = 9! [ろ	わ	わ	ゐ	系	を	ん	う	*	れ	ろ	ろ						
Y9D! [! / Y	材料仕様	! [Y	D/t	t [w	a [t [! bb95 h. {h[9/9b/9	{99 材料仕様	材料仕様	材料仕様
Y9D! [DI =Dw E	材料仕様	. [D	D/t	t [w	a [t [! bb95 h. {h[9/9b/9	{99 材料仕様	材料仕様	材料仕様
Y9D/ wh° b	材料仕様	/ [w	D/t	t [w	a [t [! bb95 h. {h[9/9b/9	{99 材料仕様	材料仕様	材料仕様
Y9D5=Dw99b	材料仕様	5 [Dw	D/t	t [w	a [t [! bb95 h. {h[9/9b/9	{99 材料仕様	材料仕様	材料仕様
1 h15 Y9E	材料仕様																						
Y9D! [! / Y	材料仕様	! [Y	D/t	t [w	a [t [! bb95 h. {h[9/9b/9	{99 材料仕様	材料仕様	材料仕様
Y9D! [DI =Dw E	材料仕様	. [D	D/t	t [w	a [t [! bb95 h. {h[9/9b/9	{99 材料仕様	材料仕様	材料仕様
Y9D/ wh° b	材料仕様	/ [w	D/t	t [w	a [t [! bb95 h. {h[9/9b/9	{99 材料仕様	材料仕様	材料仕様
Y9D5=Dw99b	材料仕様	5 [Dw	D/t	t [w	a [t [! bb95 h. {h[9/9b/9	{99 材料仕様	材料仕様	材料仕様
1 h15 Y9E	材料仕様																						
Y9D! [! / Y	材料仕様	! [Y	D/t	t [w	a [t [! bb95 h. {h[9/9b/9	{99 材料仕様	材料仕様	材料仕様
Y9D! [DI =Dw E	材料仕様	. [D	D/t	t [w	a [t [! bb95 h. {h[9/9b/9	{99 材料仕様	材料仕様	材料仕様
Y9D/ wh° b	材料仕様	/ [w	D/t	t [w	a [t [! bb95 h. {h[9/9b/9	{99 材料仕様	材料仕様	材料仕様
Y9D5=Dw99b	材料仕様	5 [Dw	D/t	t [w	a [t [! bb95 h. {h[9/9b/9	{99 材料仕様	材料仕様	材料仕様
1 h15 Y9E	材料仕様																						
Y9D! [! / Y	材料仕様	! [Y	D/t	t [w	a [t [! bb95 h. {h[9/9b/9	{99 材料仕様	材料仕様	材料仕様
Y9D! [DI =Dw E	材料仕様	. [D	D/t	t [w	a [t [! bb95 h. {h[9/9b/9	{99 材料仕様	材料仕様	材料仕様
Y9D/ wh° b	材料仕様	/ [w	D/t	t [w	a [t [! bb95 h. {h[9/9b/9	{99 材料仕様	材料仕様	材料仕様
Y9D5=Dw99b	材料仕様	5 [Dw	D/t	t [w	a [t [! bb95 h. {h[9/9b/9	{99 材料仕様	材料仕様	材料仕様
1 h15 Y9E	材料仕様																						
Y9D! [! / Y	材料仕様	! [Y	D/t	t [w	a [t [! bb95 h. {h[9/9b/9	{99 材料仕様	材料仕様	材料仕様
Y9D! [DI =Dw E	材料仕様	. [D	D/t	t [w	a [t [! bb95 h. {h[9/9b/9	{99 材料仕様	材料仕様	材料仕様
Y9D/ wh° b	材料仕様	/ [w	D/t	t [w	a [t [! bb95 h. {h[9/9b/9	{99 材料仕様	材料仕様	材料仕様
Y9D5=Dw99b	材料仕様	5 [Dw	D/t	t [w	a [t [! bb95 h. {h[9/9b/9	{99 材料仕様	材料仕様	材料仕様
1 h15 Y9E	材料仕様																						
Y9D! [! / Y	材料仕様	! [Y	D/t	t [w	a [t [! bb95 h. {h[9/9b/9	{99 材料仕様	材料仕様	材料仕様
Y9D! [DI =Dw E	材料仕様	. [D	D/t	t [w	a [t [! bb95 h. {h[9/9b/9	{99 材料仕様	材料仕様	材料仕様
Y9D/ wh° b	材料仕様	/ [w	D/t	t [w	a [t [! bb95 h. {h[9/9b/9	{99 材料仕様	材料仕様	材料仕様
Y9D5=Dw99b	材料仕様	5 [Dw	D/t	t [w	a [t [! bb95 h. {h[9/9b/9	{99 材料仕様	材料仕様	材料仕様
1 h15 Y9E	材料仕様																						
Y9D! [! / Y	材料仕様	! [Y	D/t	t [w	a [t [! bb95 h. {h[9/9b/9	{99 材料仕様	材料仕様	材料仕様
Y9D! [DI =Dw E	材料仕様	. [D	D/t	t [w	a [t [! bb95 h. {h[9/9b/9	{99 材料仕様	材料仕様	材料仕様
Y9D/ wh° b	材料仕様	/ [w	D/t	t [w	a [t [! bb95 h. {h[9/9b/9	{99 材料仕様	材料仕様	材料仕様
Y9D5=Dw99b	材料仕様	5 [Dw	D/t	t [w	a [t [! bb95 h. {h[9/9b/9	{99 材料仕様	材料仕様	材料仕様
1 h15 Y9E	材料仕様																						
Y9D! [! / Y	材料仕様	! [Y	D/t	t [w	a [t [! bb95 h. {h[9/9b/9	{99 材料仕様	材料仕様	材料仕様
Y9D! [DI =Dw E	材料仕様	. [D	D/t	t [w	a [t [! bb95 h. {h[9/9b/9	{99 材料仕様	材料仕様	材料仕様
Y9D/ wh° b	材料仕様	/ [w	D/t	t [w	a [t [! bb95 h. {h[9/9b/9	{99 材料仕様	材料仕様	材料仕様
Y9D5=Dw99b	材料仕様	5 [Dw	D/t	t [w	a [t [! bb95 h. {h[9/9b/9	{99 材料仕様	材料仕様	材料仕様
1 h15 Y9E	材料仕様																						
Y9D! [! / Y	材料仕様	! [Y	D/t	t [w	a [t [! bb95 h. {h[9/9b/9	{99 材料仕様	材料仕様	材料仕様
Y9D! [DI =Dw E	材料仕様	. [D	D/t	t [w	a [t [! bb95 h. {h[9/9b/9	{99 材料仕様	材料仕様	材料仕様
Y9D/ wh° b	材料仕様	/ [w	D/t	t [w	a [t [! bb95 h. {h[9/9b/9	{99 材料仕様	材料仕様	材料仕様
Y9D5=Dw99b	材料仕様	5 [Dw	D/t	t [w	a [t [! bb95 h. {h[9/9b/9	{99 材料仕様	材料仕様	材料仕様
1 h15 Y9E	材料仕様																						
Y9D! [! / Y	材料仕様	! [Y	D/t	t [w	a [t [! bb95 h. {h[9/9b/9	{99 材料仕様	材料仕様	材料仕様
Y9D! [DI =Dw E	材料仕様	. [D	D/t	t [w	a [t [! bb95 h. {h[9/9b/9	{99 材料仕様	材料仕様	材料仕様
Y9D/ wh° b	材料仕様	/ [w	D/t	t [w	a [t [! bb95 h. {h[9/9b/9	{99 材料仕様	材料仕様	材料仕様
Y9D5=Dw99b	材料仕様	5 [Dw	D/t	t [w	a [t [! bb95 h. {h[9/9b/9	{99 材料仕様	材料仕様	材料仕様
1 h15 Y9E	材料仕様																						

Table with multiple columns containing alphanumeric codes, symbols, and Japanese characters. The table is organized into several sections with headers like /ha thb9b and . [h/Y95 a9wa lb! { {.

a 5h/ a 9b= bh 5 財 財 財 財 財
. ha ! b5 t lb h- a { I 99 a

Table with 25 columns and 50 rows. Columns include phonetic symbols and kana characters. Rows list various combinations of characters and their corresponding symbols.

Table with multiple columns containing alphanumeric characters and symbols, organized in a grid format. The table includes various combinations of letters, numbers, and symbols, likely representing a data set or a code system.

Table with multiple columns containing alphanumeric codes, symbols, and Japanese characters. The table is organized into several sections with headers like /ha thb9b and .[h/Y95 9wa lb! {.

Table with multiple columns containing phonetic symbols and characters, organized into rows and columns. The table includes headers for various phonetic categories and a main body of data rows.

Table with multiple columns containing alphanumeric codes, symbols, and identifiers. The table is organized into several sections with headers like 'Ih-h' and 'Dwha a 9n'. It contains a large number of rows, each with a unique identifier and associated data points.

