

| TABLE OF CONTENTS | |
|-------------------|-------------------------------|
| SHEET NO. | SHEET DESCRIPTION |
| 1 | NOTES AND BOM |
| 2 | CONFIGURATIONS |
| 3-4 | KEY CONFIGURATIONS |
| 5 | RECEPTACLE CONNECTOR ASSEMBLY |
| 6 | BACKSHELL NOTES |
| 7 | BACKSHELL |
| 8 | BACKSHELL CONFIGURATIONS |

NOTES: VALID UNLESS OTHERWISE SPECIFIED

1. GENERAL:
- a. APPLICATION SPECIFICATION SEE: AS-33472-100
- CONTAINS: PRODUCT INTRODUCTION, PRODUCT SUMMARY, CONNECTOR ASSEMBLY, PACKAGING INFORMATION, CONNECTOR MATING, SERVICE INSTRUCTIONS, ELECTRICAL CONTINUITY CHECKING, CRIMPING, AND TROUBLESHOOTING.
 - DESIGNED TO MATE WITH DEVICE OR CONNECTOR AS SPECIFIED IN THE MATING INTERFACE/CONNECTOR DRAWINGS CHART.
 - *DENOTES DRAWINGS THAT CAN BE ACCESSED AT <<http://ewcap.uscarteams.org/>>.
 - ASSEMBLY SHIPPED WITH PLR IN PRE-LOCK POSITION (SEE PLR PRE-LOCK VIEW SHEET 5).

- b. PRODUCT SPECIFICATION SEE:
- STANDARD CONFIGURATION: PS-33471-000
 - UL V0 CONFIGURATION: PS-160105-0001
 - CONTAINS: PRODUCT INTRODUCTION, PRODUCT SUMMARY, RATINGS (CURRENT, TEMPERATURE, SEALING, AND FLAMMABILITY), TERMINALS, WIRE DIAMETER RANGE, PRODUCT VALIDATION, AND PRODUCT DEVIATIONS.

c. PACKAGING SPECIFICATION PER MOLEX DRAWING: SEE PACKAGING CHART

d. PARTS MUST BE IN COMPLIANCE TO MOLEX CHEMICAL SUBSTANCES FOR PRODUCTS AND PACKAGING SPECIFICATION: QEHS-699000-301

e. DATA MUST BE SUBMITTED UNDER THE MOLEX PART NUMBER TO IMDS (COMPANY ID#13255)

2. DESIGN - MATERIALS:

- a. FOR BILL OF MATERIALS SEE:
- STANDARD CONFIGURATION SD-33471-0002
 - UL V0 CONFIGURATION SD-160105-0002

3. DESIGN - GEOMETRY:

a. THE 3-D CAD DATA IS BASIC (WITHOUT TOLERANCE) AND MASTER FOR THIS PART WITH THE EXCEPTION OF UNDERLINED DIMENSIONS. DIMENSIONAL INFORMATION NOT SHOWN ON THIS DRAWING IS DEFINED BY THE DATA FILE AT ITS LATEST REVISION.

b. GEOMETRIC DIMENSIONS AND TOLERANCES PER ASME Y14.5M-2009

c. EDGES AND UNDIMENSIONED DETAILS PER ISO13715

d. CORNERS SHOWN AS SHARP TO BE R 0.2 MAX.

e. LETTERING SHALL BE 0.15 MAX RAISED IN 0.25 MAX RECESS PAD. THIS INCLUDES RECYCLING CODE, CAVITY ID, VENDOR IDENTIFICATION, AND CUSTOMER MATERIAL NUMBER.

f. VISUAL DEFECTS SHALL MEET COSMETIC STANDARD PS-45499-002 (Class B).

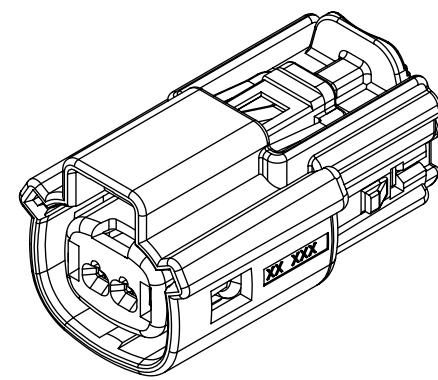
g. LASER MARKING:

- PART NUMBER
- DAY OF THE YEAR
- SHIFT
- YEAR

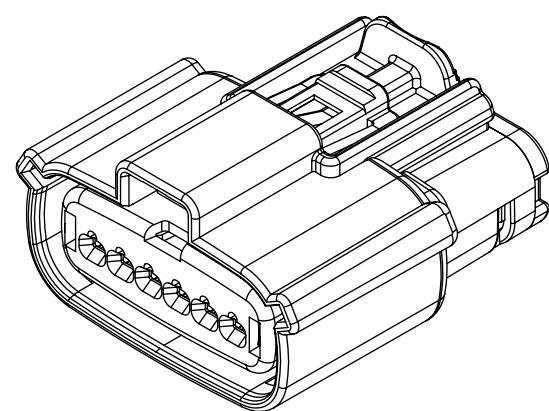
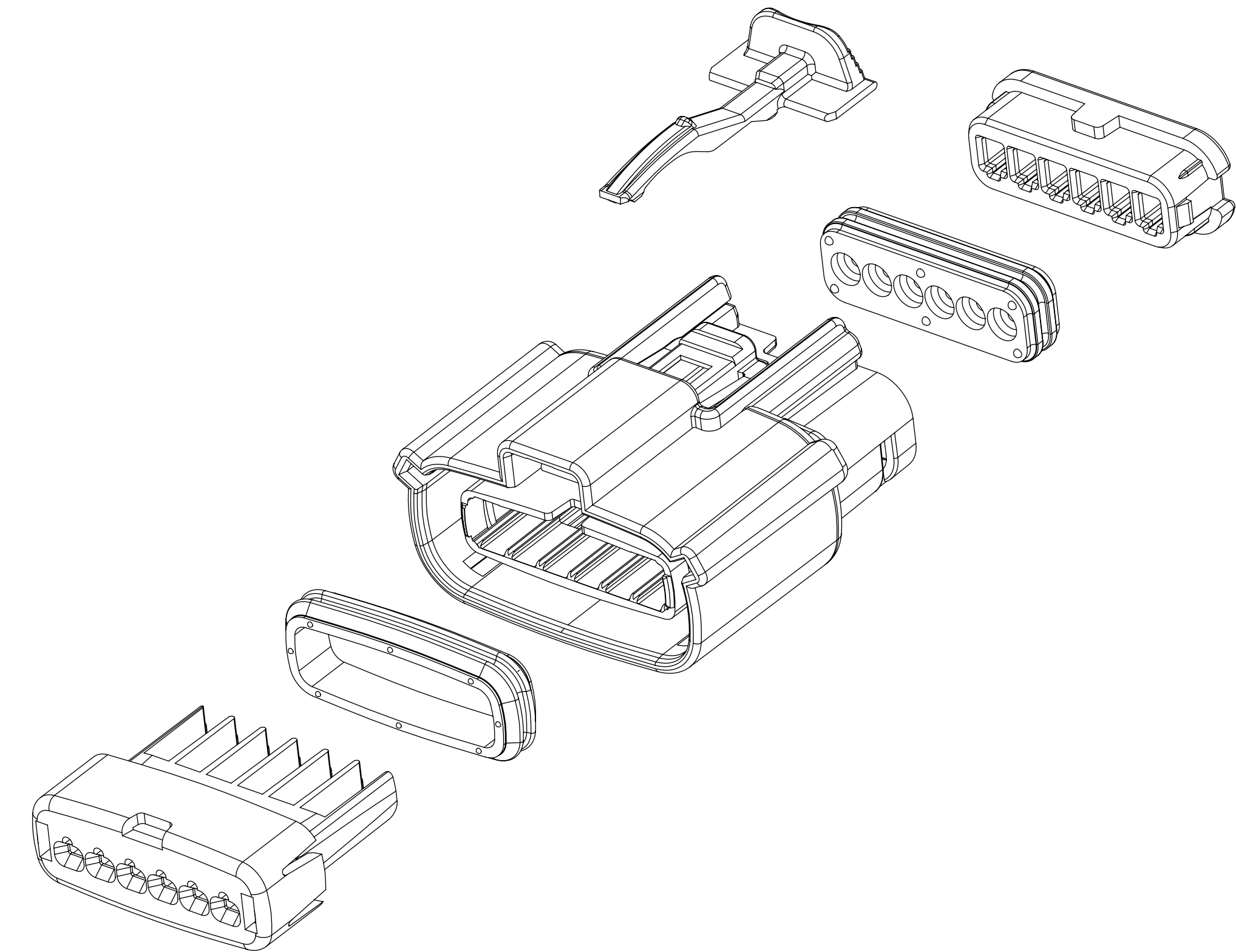
FOR ADDITIONAL INFORMATION SEE SECTION 5 UNDER PROCEDURES IN ES-34735-008.

| PACKAGING | |
|-------------|--------------|
| DESCRIPTION | DRAWING NO. |
| 1X2 | PK-31300-635 |
| | |
| | |
| | |
| | |
| 1X6 | PK-31300-903 |

| MATING INTERFACE/CONNECTOR DRAWINGS | | |
|-------------------------------------|----------------------|---------------|
| DESCRIPTION | INTERFACE DEFINITION | MOLEX INLINE |
| 1X2 | *150-S-002-1-Z05 | SD-33481-0001 |
| | | |
| | | |
| | | |
| 1X6 | *150-S-006-1-Z03 | SD-33481-0001 |



1x2



1x6

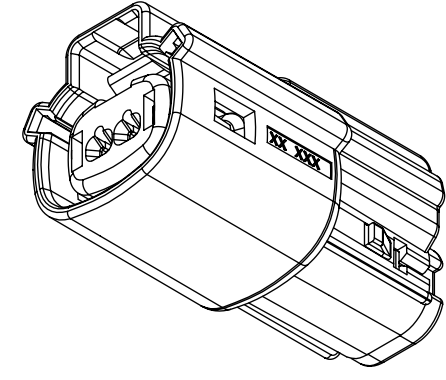
| REV | REV DESCRIPTION |
|-----|---------------------------------|
| A1 | UPDATED THE DRAWING FRAME |
| A | MINOR GEOMETRY CHANGE FOR UL V0 |
| 2 | UPDATE VIEWSETS |
| 1 | INITIAL RELEASE |

| INSPECTION NUMBER LOG | |
|-----------------------|-----------|
| LAST NUMBER: 11 | ADDED: 11 |
| REMOVED: | |

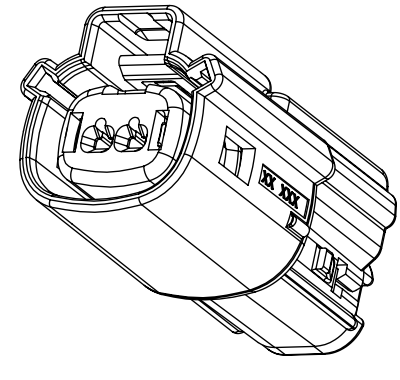
| | | | | | | | | |
|--|---|---------------------------|----------------------------|---------------------------|---|----------|---------------|-----------|
| FUNCTIONAL SYMBOLS | THIS DRAWING CONTAINS INFORMATION THAT IS PROPRIETARY TO MOLEX ELECTRONIC TECHNOLOGIES, LLC AND SHOULD NOT BE USED WITHOUT WRITTEN PERMISSION | | CURRENT REV DESC: | | | | | |
| | FA = 0 | mm | SCALE | 1.5:1 | | | | |
| DIVISIONAL SYMBOLS | GENERAL TOLERANCES (UNLESS SPECIFIED) | | EC NO: 643941 | | MX150 RCPT SINGLE ROW SEALED ASSY MAT SEAL | | | |
| | FC = 0 | ANGULAR TOL ± 1.0° | | DRWN: XLDONG03 2020/08/21 | | | | |
| DIVISIONAL SYMBOLS | FP = 0 | 4 PLACES | ± | CHK'D: JDENG02 2020/08/26 | PRODUCT CUSTOMER DRAWING | | | |
| | 3 PLACES | ± | APPR: JDENG02 2020/08/26 | | | | | |
| | 2 PLACES | ± | INITIAL REVISION: | | | | | |
| | 1 PLACE | ± | DRWN: APROFFITT 2015/11/04 | | | | | |
| 0 PLACES | ± | APPR: KDEKOSHI 2016/06/14 | SD-33471-0001 | | | | | |
| DRAFT WHERE APPLICABLE MUST REMAIN WITHIN DIMENSIONS | | THIRD ANGLE PROJECTION | DRAWING | SERIES | DOCUMENT NUMBER | DOC TYPE | DOC PART | REVISION |
| | | | D-SIZE | 33471 | SD-33471-0001 | PSD | 001 | A1 |
| | | SEE NOTE 2a | | GENERAL MARKET | | | SHEET NUMBER | |
| | | | | | | | 1 OF 8 | |

SHEET DESCRIPTION

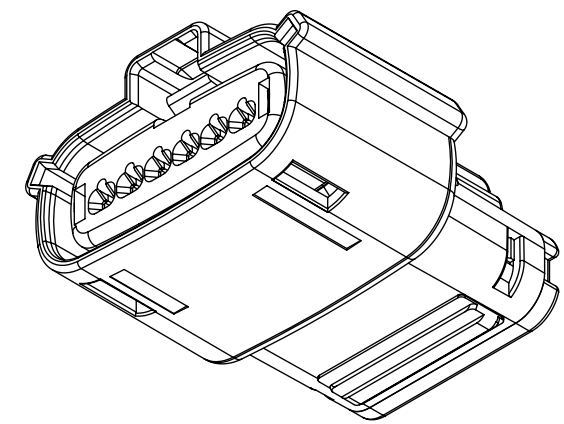
CONFIGURATIONS



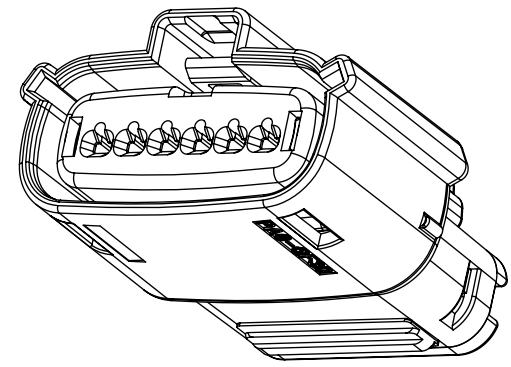
1x2 - STD



1x2 - UL V0*



1x6 - STD



1x6 - UL V0*

*MINOR GEOMETRY DIFFERENCE THAN STANDARD CONFIGURATION
SEE NOTES 1 & 2 FOR MORE INFORMATION

| | | | |
|--|---|------------------------|---|
| FUNCTIONAL SYMBOLS | THIS DRAWING CONTAINS INFORMATION THAT IS PROPRIETARY TO MOLEX ELECTRONIC TECHNOLOGIES, LLC AND SHOULD NOT BE USED WITHOUT WRITTEN PERMISSION | | |
| | DIMENSION UNITS | SCALE | CURRENT REV DESC: |
| $\nabla_A = 0$ | mm | 1.5:1 | EC NO: 643941 DRWN: XLDONG03 2020/08/21 CHK'D: JDENG02 2020/08/26 APPR: JDENG02 2020/08/26 INITIAL REVISION: DRWN: APROFFITT 2015/11/04 APPR: KDEKOSKI 2016/06/14 |
| $\nabla_C = 0$ | GENERAL TOLERANCES (UNLESS SPECIFIED) | | |
| $\nabla_D = 0$ | ANGULAR TOL $\pm 1.0^\circ$ | | |
| DIVISIONAL SYMBOLS | 4 PLACES | \pm | |
| | 3 PLACES | \pm | |
| | 2 PLACES | ± 0.1 | |
| | 1 PLACE | ± 0.2 | |
| | 0 PLACES | \pm | |
| DRAFT WHERE APPLICABLE MUST REMAIN WITHIN DIMENSIONS | | THIRD ANGLE PROJECTION | DRAWING: D-SIZE SERIES: 33471 |
| DOCUMENT STATUS | P1 | RELEASE DATE | DOCUMENT NUMBER: SD-33471-0001 DOC TYPE: PSD DOC PART: 001 REVISION: A1 |
| 2020/08/26 | 07:23:52 | | MATERIAL NUMBER: SEE NOTE 2a CUSTOMER: GENERAL MARKET SHEET NUMBER: 2 OF 8 |

molex

MX150 RCPT
SINGLE ROW SEALED ASSY MAT SEAL

PRODUCT CUSTOMER DRAWING

SD-33471-0001

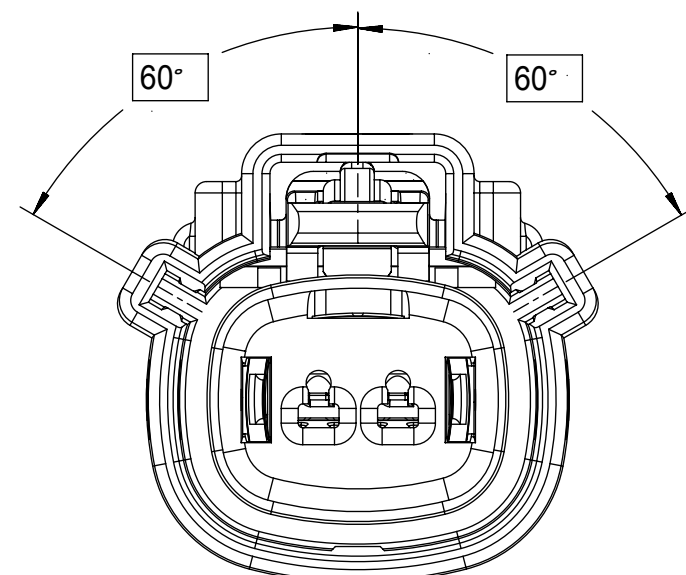
PSD 001 A1

SEE NOTE 2a GENERAL MARKET 2 OF 8

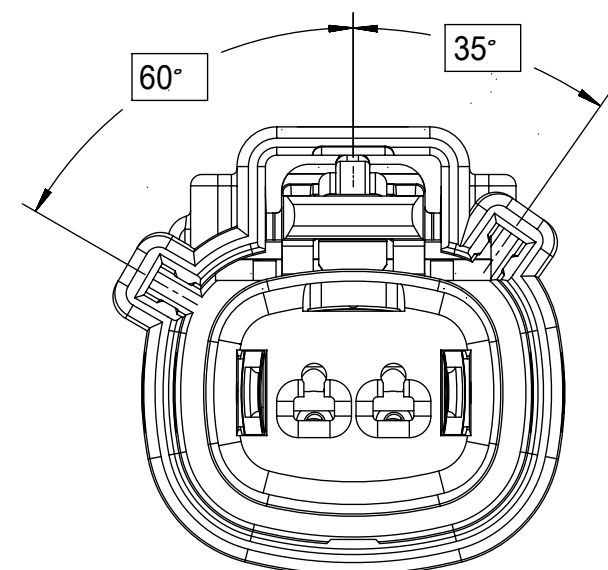
SHEET DESCRIPTION

KEY CONFIGURATIONS

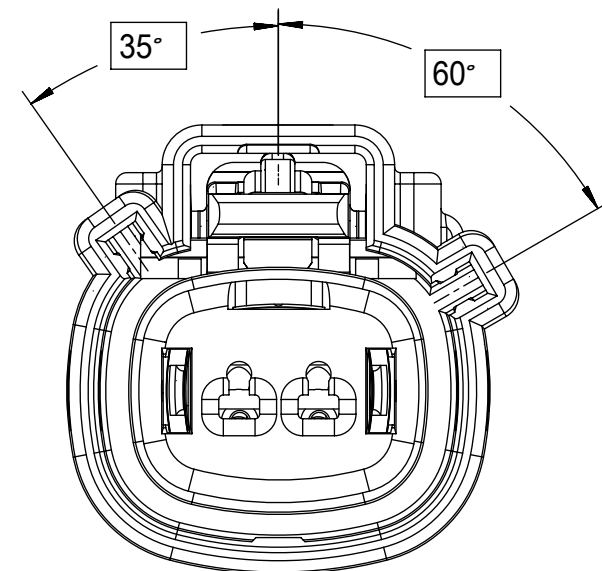
1X2



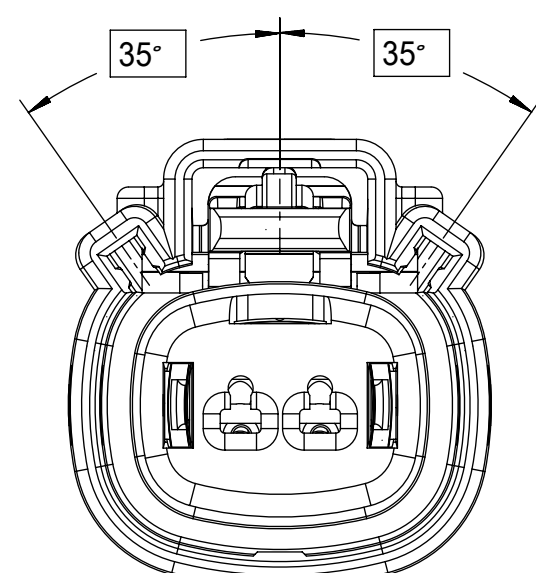
KEY A



KEY B



KEY C



KEY D

THIS DRAWING CONTAINS INFORMATION THAT IS PROPRIETARY TO MOLEX ELECTRONIC TECHNOLOGIES, LLC AND SHOULD NOT BE USED WITHOUT WRITTEN PERMISSION

| | | | |
|--|---------------------------------------|-----------|--|
| FUNCTIONAL SYMBOLS | DIMENSION UNITS | SCALE | CURRENT REV DESC: |
| $\nabla_A = 0$ | mm | 3:1 | |
| $\nabla_C = 0$ | GENERAL TOLERANCES (UNLESS SPECIFIED) | | |
| $\nabla_P = 0$ | ANGULAR TOL $\pm 1.0^\circ$ | | |
| DIVISIONAL SYMBOLS | 4 PLACES | \pm | EC NO: 643941 |
| | 3 PLACES | \pm | DRWN: XLDONG03 2020/08/21 |
| | 2 PLACES | ± 0.1 | CHK'D: JDENG02 2020/08/26 |
| | 1 PLACE | ± 0.2 | APPR: JDENG02 2020/08/26 |
| | 0 PLACES | \pm | INITIAL REVISION: DRWN: APROFFITT 2015/11/04 APPR: KDEKOSKI 2016/06/14 |
| DRAFT WHERE APPLICABLE MUST REMAIN WITHIN DIMENSIONS | THIRD ANGLE PROJECTION | DRAWING | SERIES |
| | | D-SIZE | 33471 |

molex

MX150 RCPT
SINGLE ROW SEALED ASSY MAT SEAL

PRODUCT CUSTOMER DRAWING

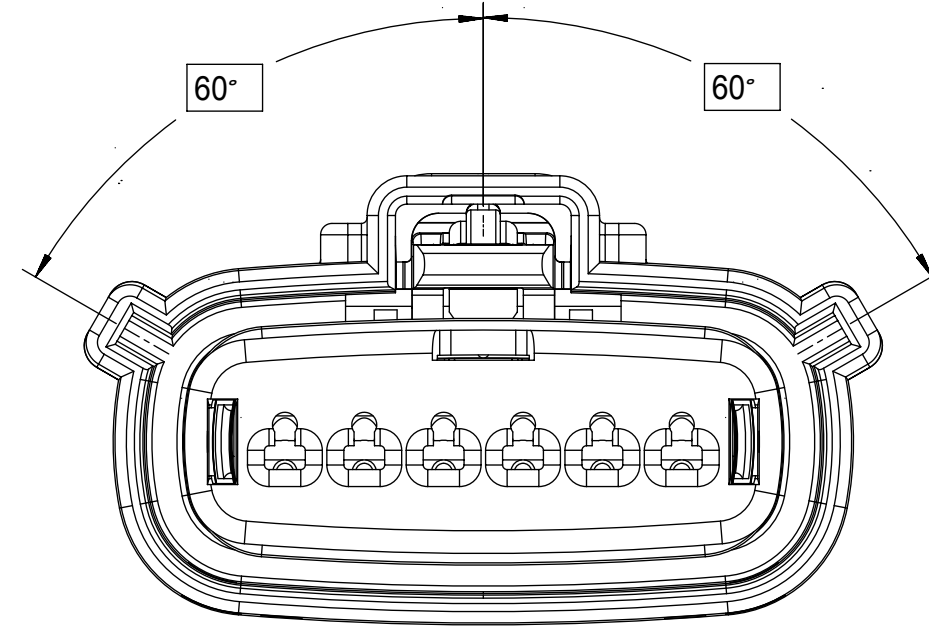
| | | | |
|-----------------|----------|----------|----------|
| DOCUMENT NUMBER | DOC TYPE | DOC PART | REVISION |
| SD-33471-0001 | PSD | 001 | A1 |

| | | |
|-----------------|----------------|--------------|
| MATERIAL NUMBER | CUSTOMER | SHEET NUMBER |
| SEE NOTE 2a | GENERAL MARKET | 3 OF 8 |

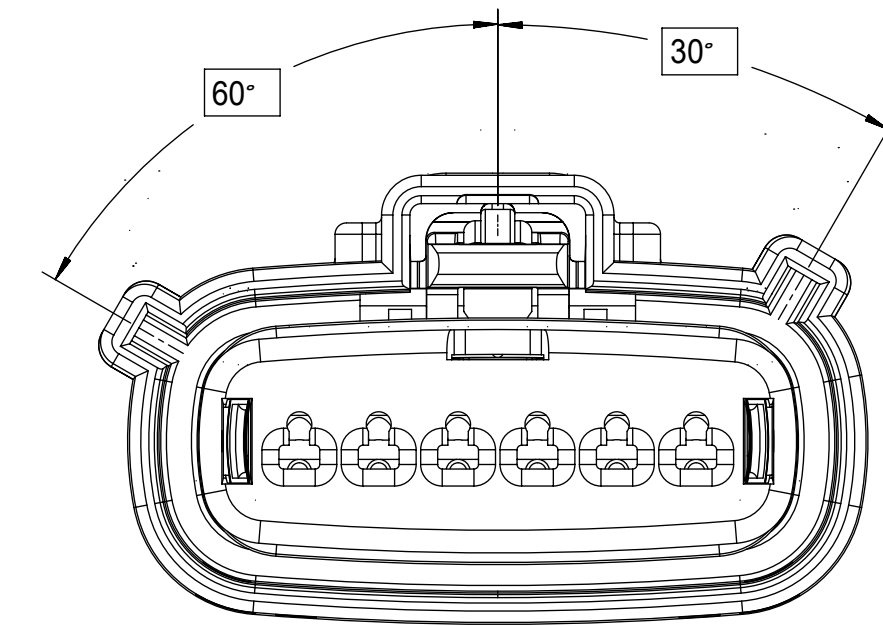
SHEET DESCRIPTION

KEY CONFIGURATIONS CONT.

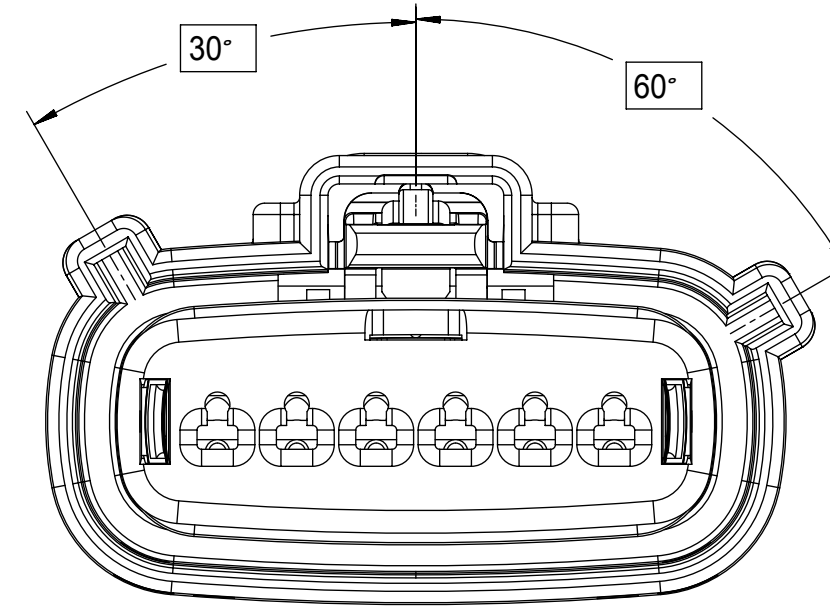
1X6



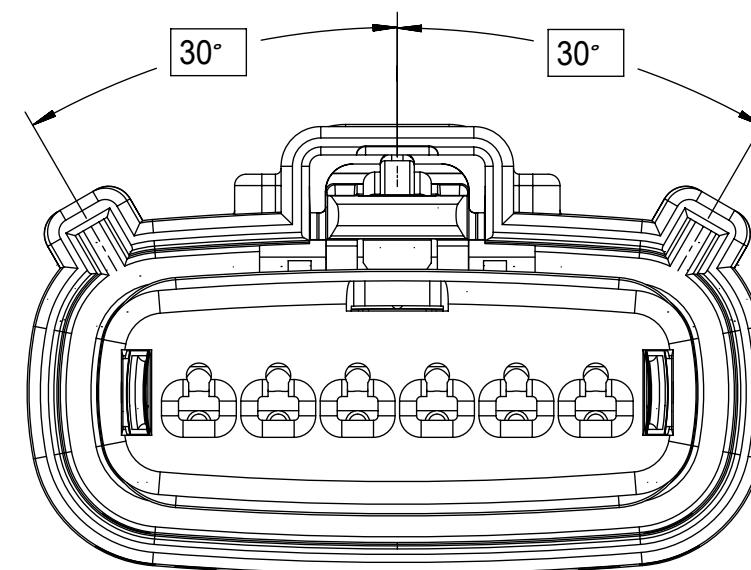
KEY A



KEY B



KEY C



KEY D

| | | | |
|--|---|------------------------|--|
| FUNCTIONAL SYMBOLS | THIS DRAWING CONTAINS INFORMATION THAT IS PROPRIETARY TO MOLEX ELECTRONIC TECHNOLOGIES, LLC AND SHOULD NOT BE USED WITHOUT WRITTEN PERMISSION | | |
| | DIMENSION UNITS | SCALE | CURRENT REV DESC: |
| $\nabla_A = 0$ | mm | 3:1 | |
| $\nabla_C = 0$ | GENERAL TOLERANCES (UNLESS SPECIFIED) | | |
| $\nabla_D = 0$ | ANGULAR TOL $\pm 1.0^\circ$ | | |
| DIVISIONAL SYMBOLS | 4 PLACES | \pm | EC NO: 643941 |
| | 3 PLACES | \pm | DRWN: XLDONG03 2020/08/21 |
| | 2 PLACES | ± 0.1 | CHK'D: JDENG02 2020/08/26 |
| | 1 PLACE | ± 0.2 | APPR: JDENG02 2020/08/26 |
| | 0 PLACES | \pm | INITIAL REVISION: DRWN: APROFFITT 2015/11/04 APPR: KDEKOSKI 2016/06/14 |
| DRAFT WHERE APPLICABLE MUST REMAIN WITHIN DIMENSIONS | | THIRD ANGLE PROJECTION | DRAWING SERIES MATERIAL NUMBER CUSTOMER SHEET NUMBER |
| | | | D-SIZE 33471 SEE NOTE 2a GENERAL MARKET 4 OF 8 |

molex

MX150 RCPT
SINGLE ROW SEALED ASSY MAT SEAL

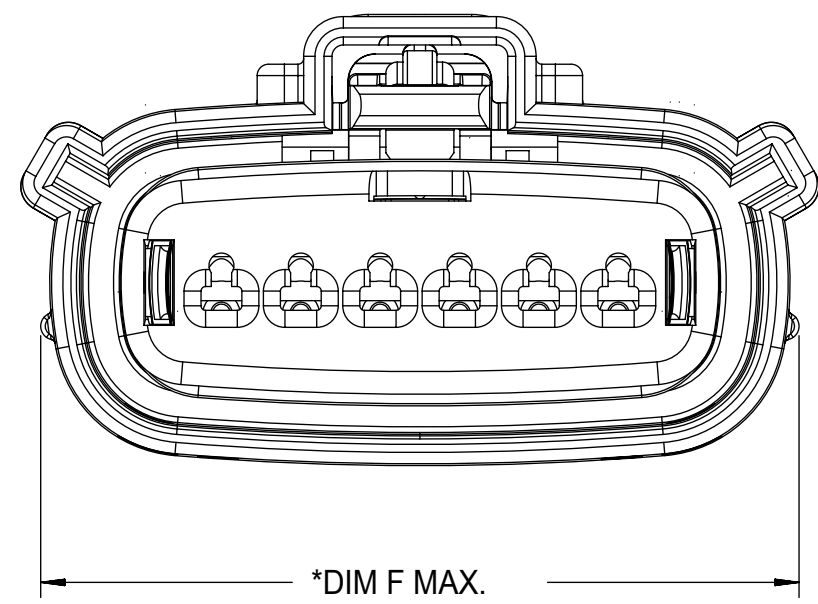
PRODUCT CUSTOMER DRAWING

| | | | |
|-----------------|----------|----------|----------|
| DOCUMENT NUMBER | DOC TYPE | DOC PART | REVISION |
| SD-33471-0001 | PSD | 001 | A1 |

SHEET DESCRIPTION

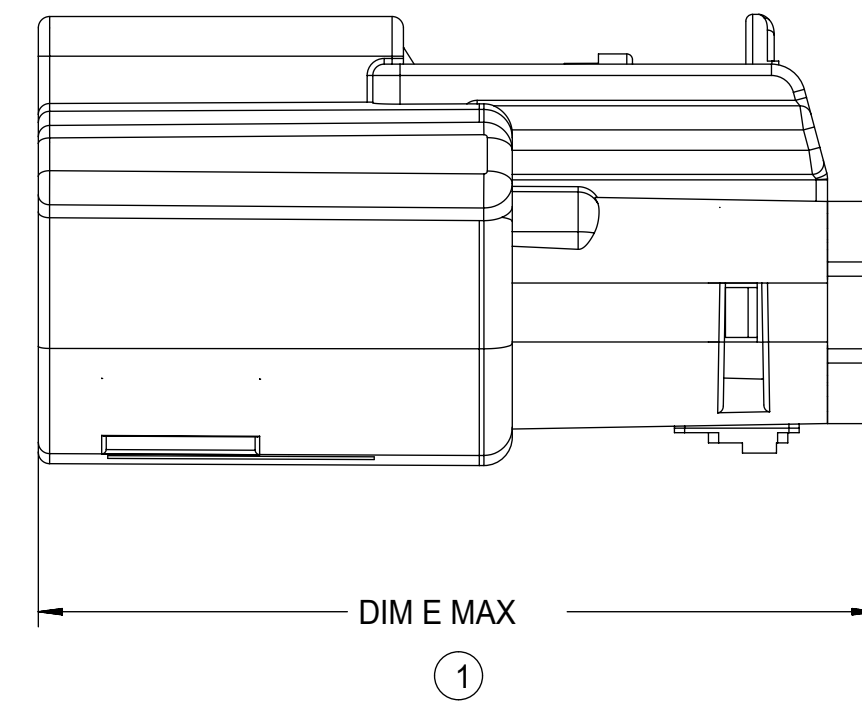
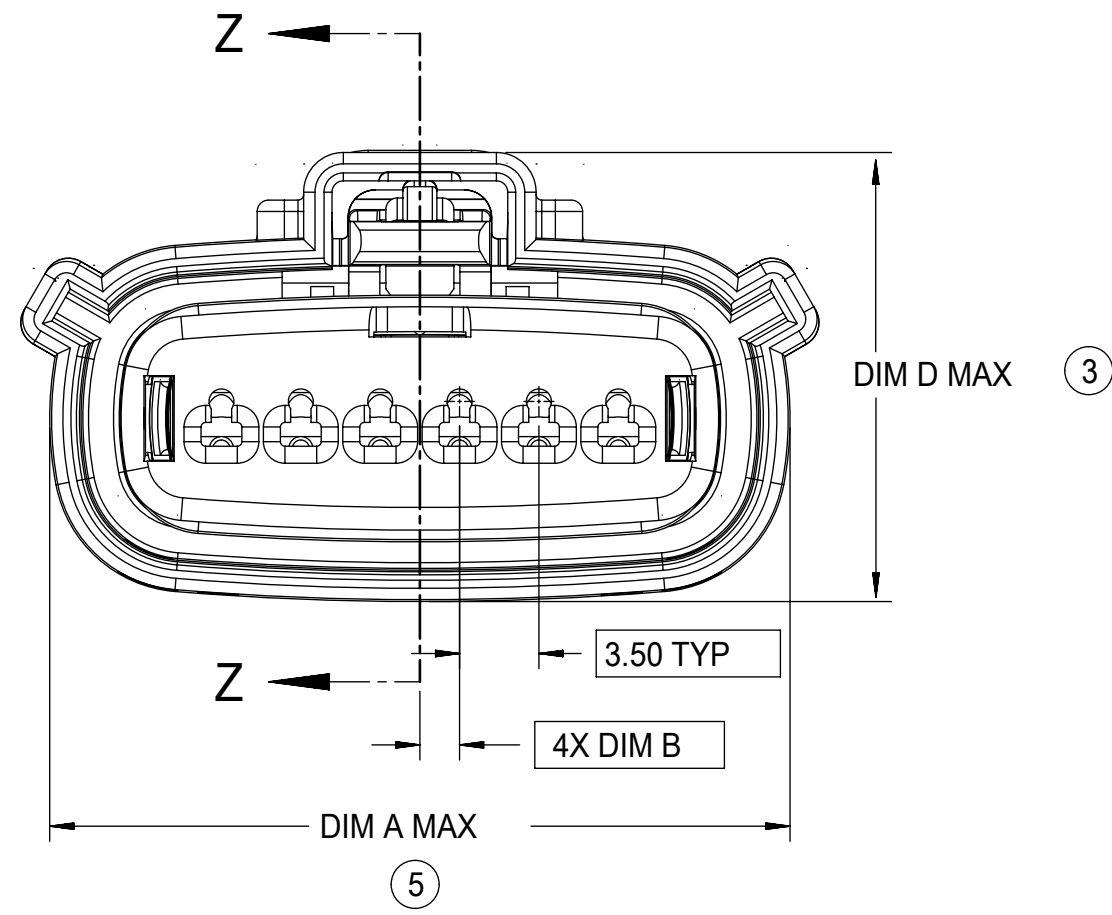
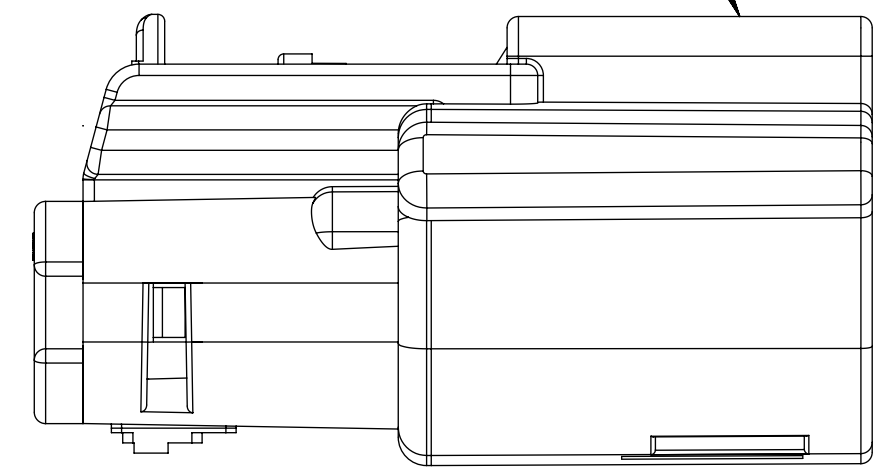
RECEPTACLE CONNECTOR ASSEMBLY - STD

| DESCRIPTION | DIMENSIONS | | | | | |
|-------------|------------|------|-------|-------|-------|-------|
| | A | B | C | D | E | F |
| 1X2 | 19.40 | 1.75 | 21.73 | 20.55 | 37.65 | 19.64 |
| 1X6 | 32.75 | 1.75 | 35.21 | 19.90 | 37.65 | N/A |
| 1X6 UL V0 | N/A | 1.75 | 35.23 | 19.90 | 37.65 | 33.64 |



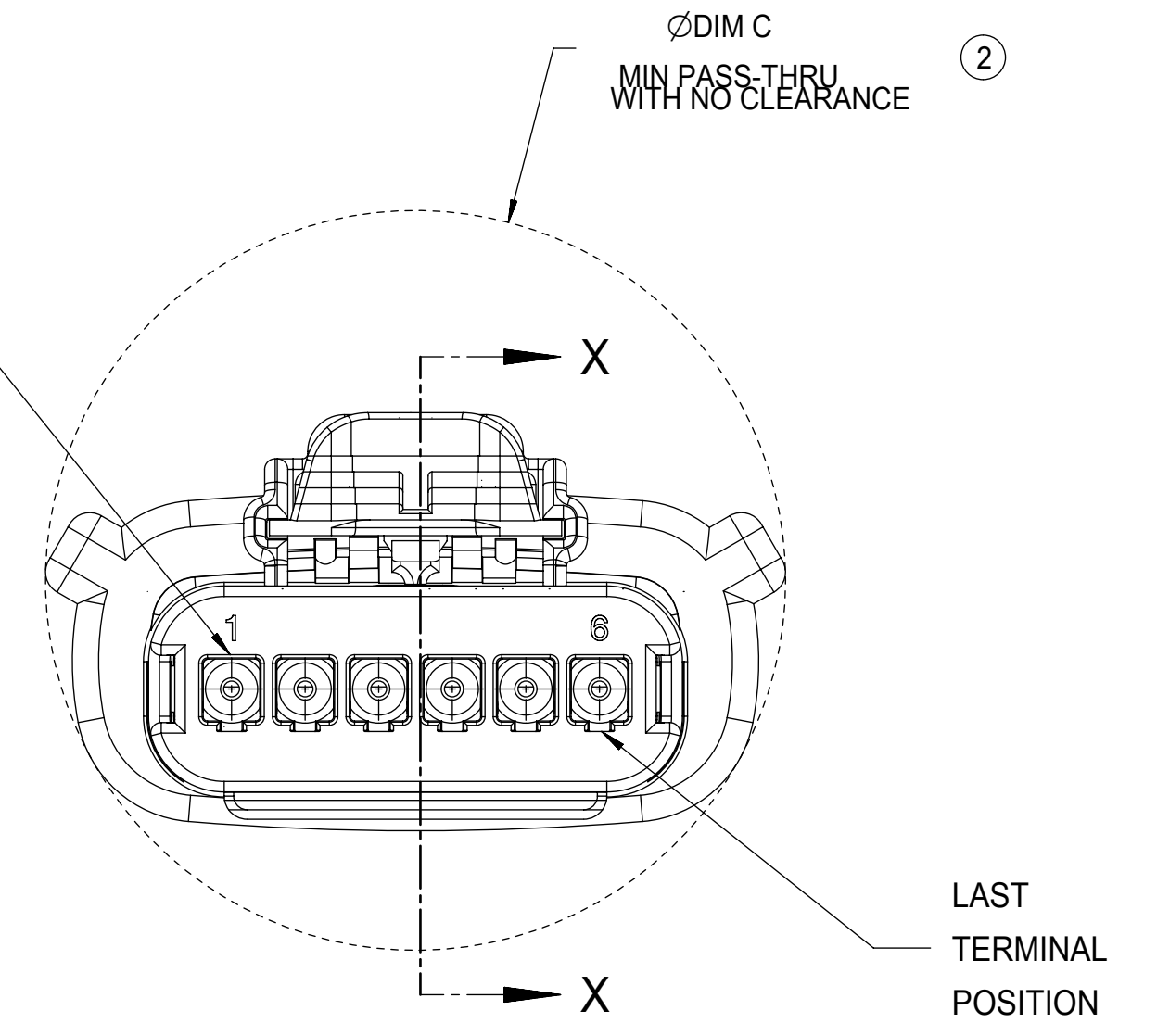
*DIM F MAX.
*APPLIE TO UL V0 CONFIGURATIONS ONLY
①

LASER MARKING ON THIS SURFACE
SEE NOTE 3g.



DIM E MAX
①

TERMINAL
POSITION 1

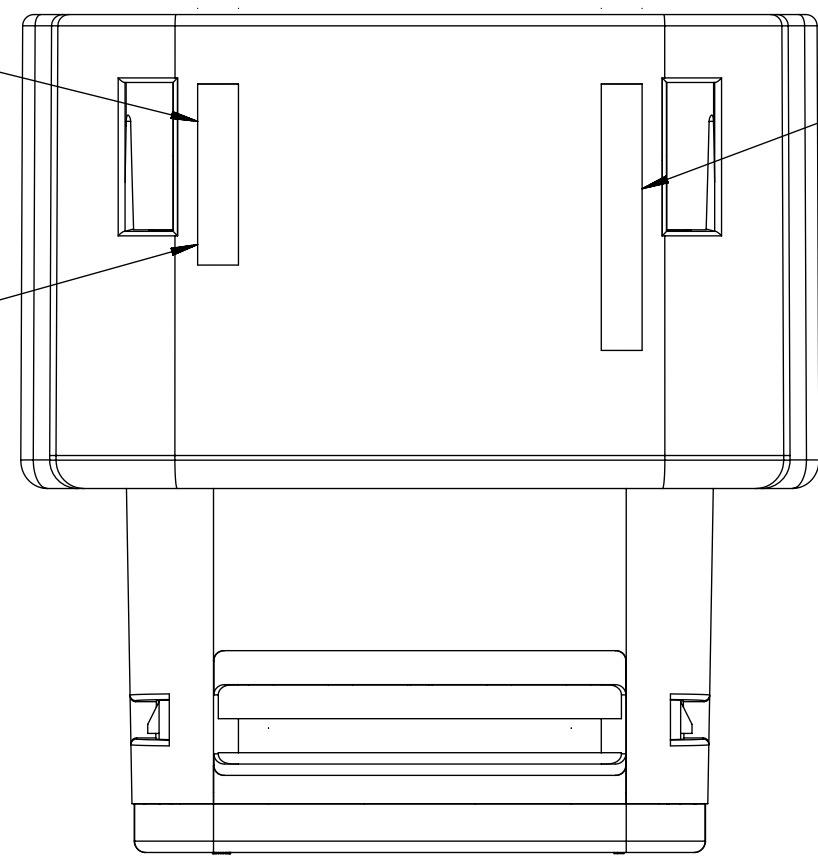


REAR VIEW
(WIRE HARNESS SIDE)

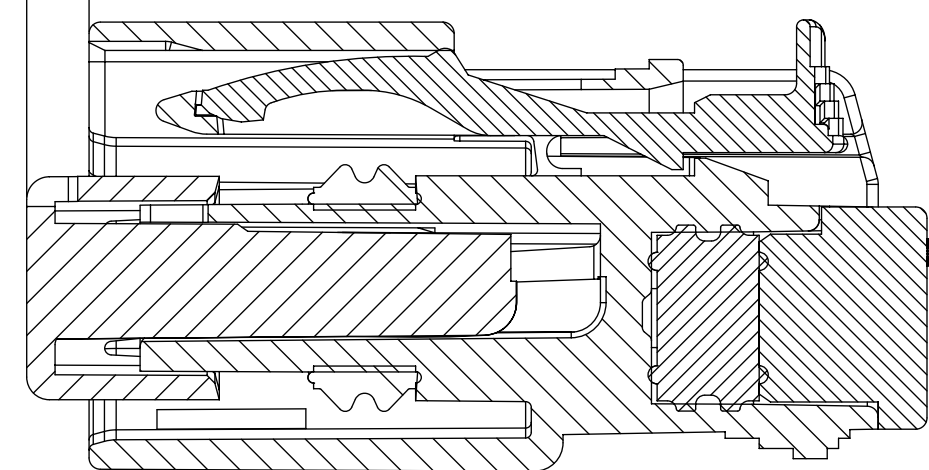
MOLD CAVITY I.D.
THIS LOCATION

RECYCLE CODE
THIS LOCATION

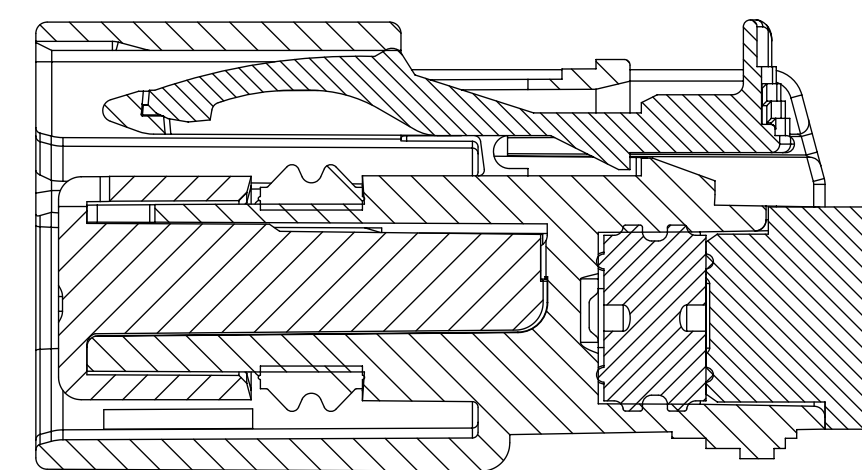
MANUFACTURING LOCATION
CODE THIS LOCATION



2.75±0.50
⑥



PRIMARY LOCK REINFORCEMENT (PLR) SHOWN
IN PRE-STAGED POSITION
SECTION Z-Z



PRIMARY LOCK REINFORCEMENT (PLR) SHOWN
IN FINAL-LOCK POSITION
SECTION X-X

| | | | | | |
|--|---|----------------------------|--------------------------------|----------------------------------|---|
| FUNCTIONAL SYMBOLS FA = 0 FC = 0 FD = 0 | THIS DRAWING CONTAINS INFORMATION THAT IS PROPRIETARY TO MOLEX ELECTRONIC TECHNOLOGIES, LLC AND SHOULD NOT BE USED WITHOUT WRITTEN PERMISSION | | CURRENT REV DESC: | | |
| | DIMENSION UNITS mm | SCALE 3:1 | | | |
| DIVISIONAL SYMBOLS | GENERAL TOLERANCES (UNLESS SPECIFIED) | | EC NO: 643941 | | MX150 RCPT SINGLE ROW SEALED ASSY MAT SEAL PRODUCT CUSTOMER DRAWING |
| | ANGULAR TOL ± 1.0° | | DRWN: XLDONG03 2020/08/21 | | |
| | 4 PLACES ± | | CHK'D: JDENG02 2020/08/26 | | |
| | 3 PLACES ± | | APPR: JDENG02 2020/08/26 | | |
| | 2 PLACES ± 0.1 | | INITIAL REVISION: | | |
| 1 PLACE ± 0.2 | | DRWN: APROFFITT 2015/11/04 | | DOCUMENT NUMBER SD-33471-0001 | |
| 0 PLACES ± | | APPR: KDEKOSKI 2016/06/14 | | | DOC TYPE PSD |
| DRAFT WHERE APPLICABLE MUST REMAIN WITHIN DIMENSIONS | | THIRD ANGLE PROJECTION | DRAWING D-SIZE | SERIES 33471 | DOC PART 001 |
| | | | MATERIAL NUMBER SEE NOTE 2a | CUSTOMER GENERAL MARKET | REVISION A1 |
| | | | | | SHEET NUMBER 5 OF 8 |

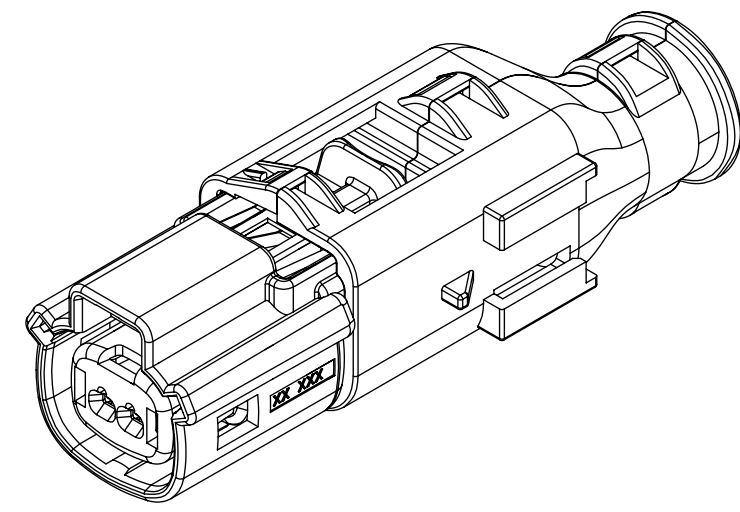
SHEET DESCRIPTION

BACKSHELL NOTES

BACKSHELL NOTES: VALID UNLESS OTHERWISE SPECIFIED

1. GENERAL:

- a. APPLICATION SPECIFICATION SEE: AS-34951-001
 - DESIGNED TO MATE WITH RECEPTACLE SEALED ASSEMBLY SPECIFIED IN MOLEX DRAWING SD-33471-0001.
 - SYSTEM TO BE USED WITH WIRE WITHIN DIAMETER RANGE OF 1.2mm TO 2.69mm.
 - COMPONENTS ARE OPTIONAL AND MUST BE PURCHASED SEPERATELY.
 - BACKSHELL DESIGN IS OWNED BY SCHLEMMER.
 - FOR ADDITIONAL INFORMATION SEE THE BACKSHELL COMPONENT DRAWING SD-34949-0001.



1X2

BACKSHELL CUSTOMER MODEL NUMBER LEGEND

34949-XXXX

CUSTOMER MODEL COMPONENTS

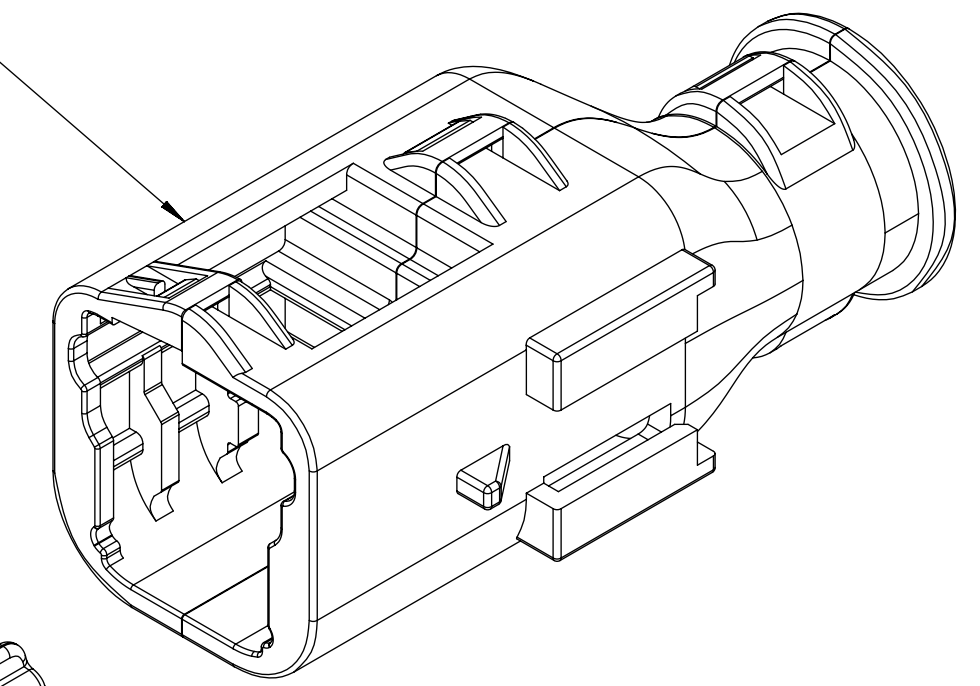
- 0 - BACKSHELL ONLY
- 1 - BACKSHELL & MX150 HOUSING KEY A ASSEMBLY
- 2 - BACKSHELL & MX150 HOUSING KEY B ASSEMBLY
- 3 - BACKSHELL & MX150 HOUSING KEY C ASSEMBLY
- 4 - BACKSHELL & MX150 HOUSING KEY D ASSEMBLY

BACKSHELL FEATURES

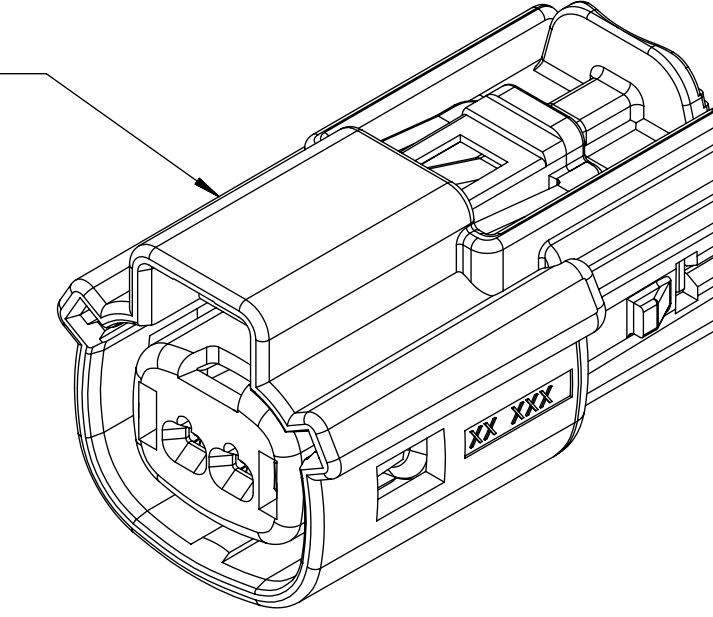
- 1 - WITH RIBS
- 2 - WITHOUT RIBS

MX150 CIRCUIT SIZE 02, 03, 04, 05, 06

BACKSHELL (BKS)



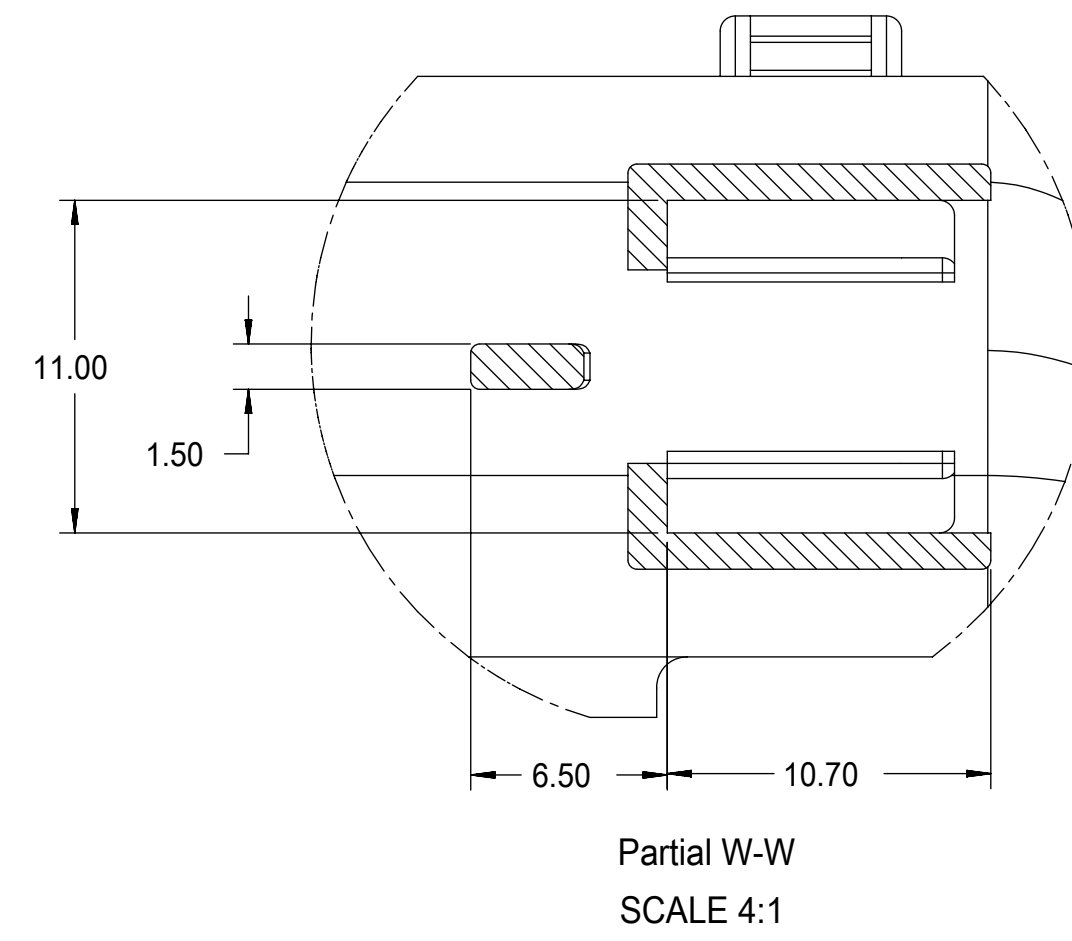
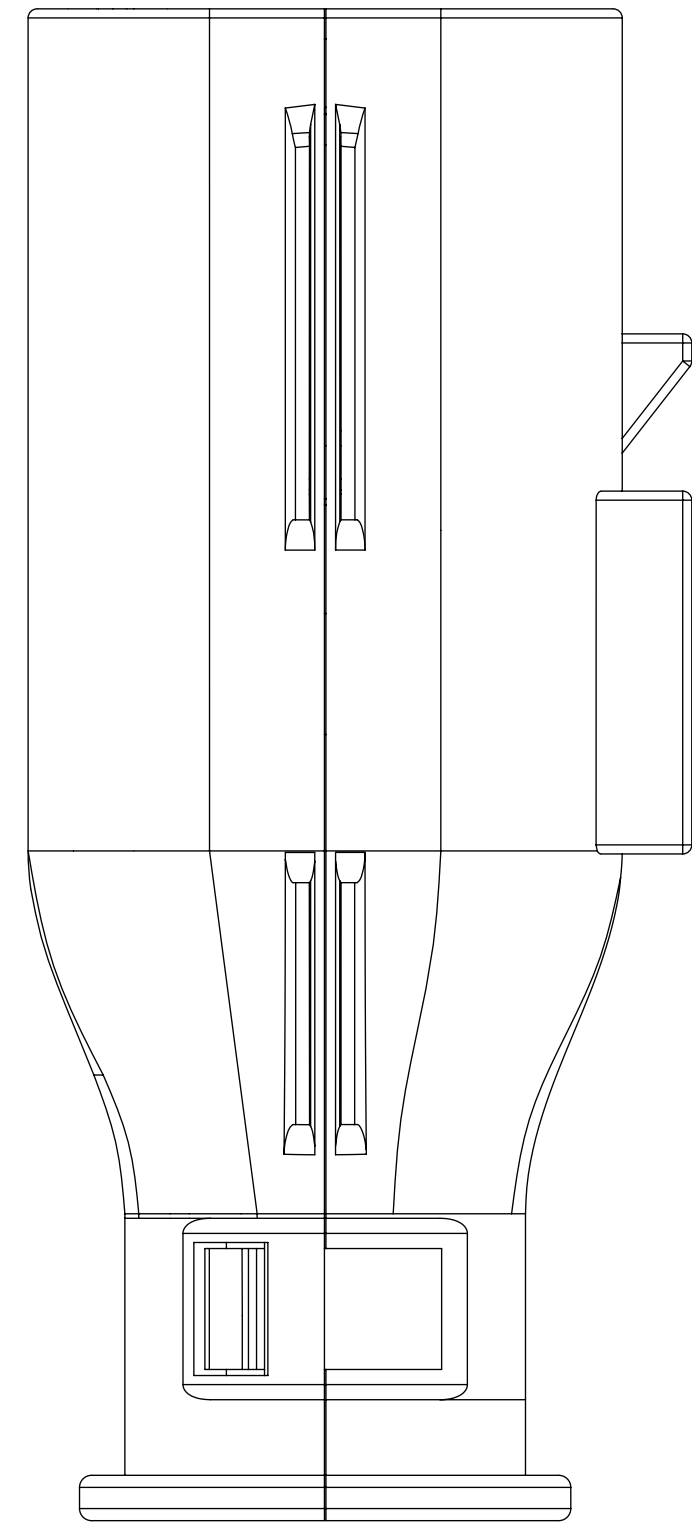
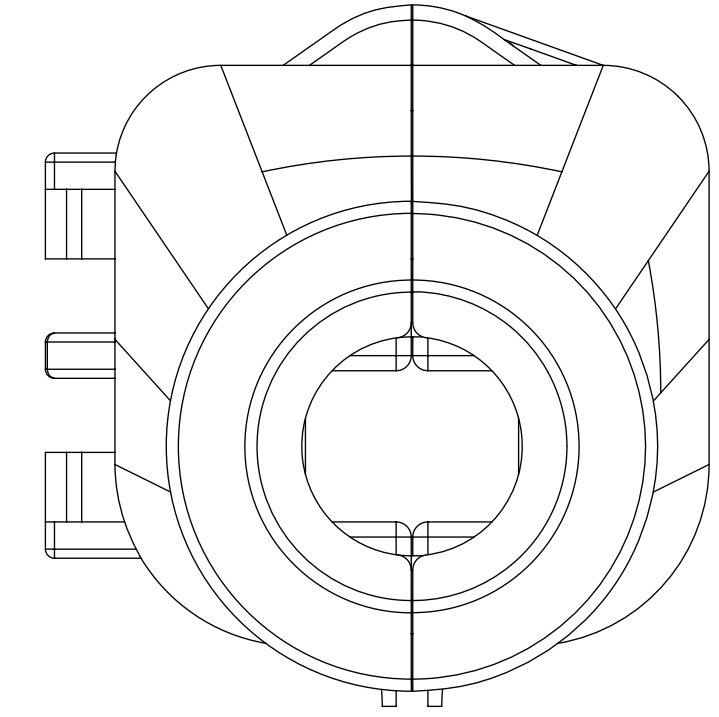
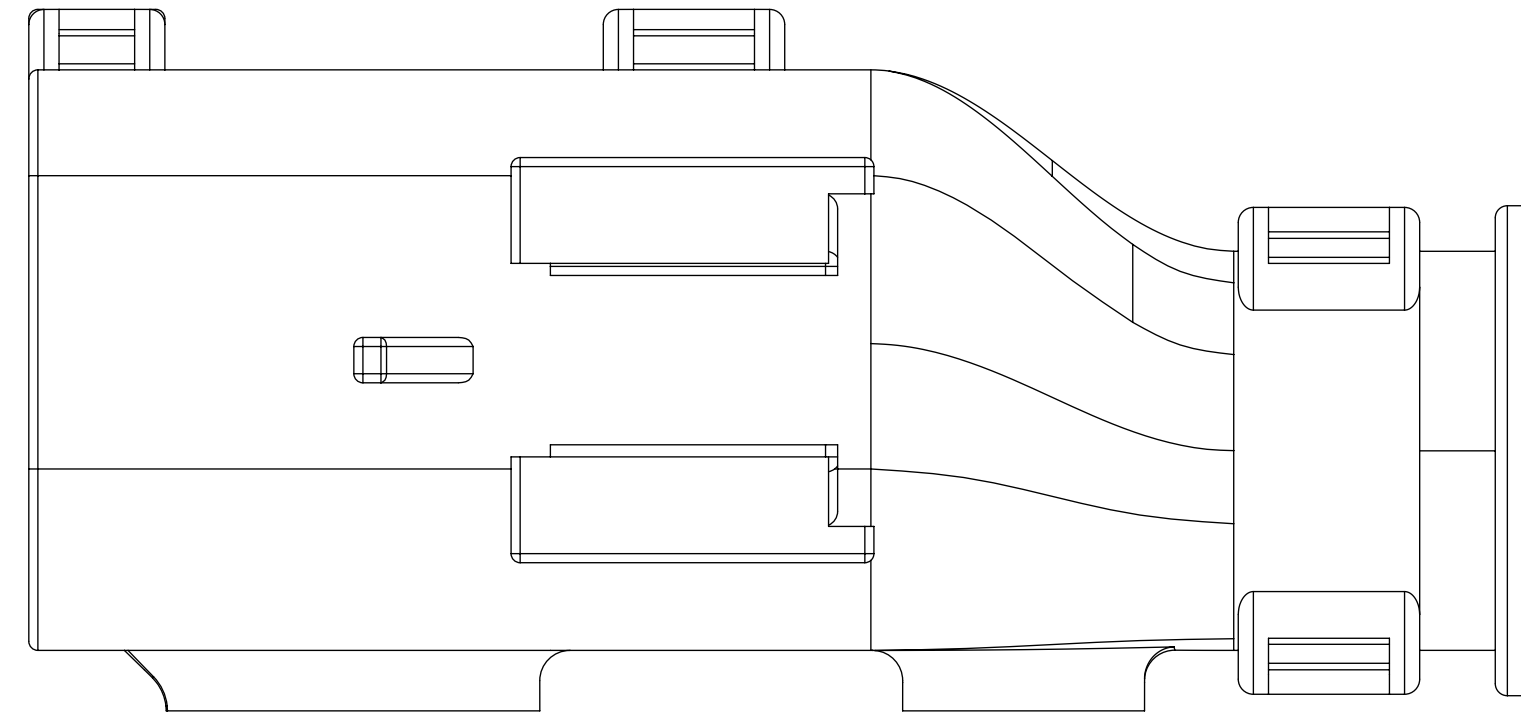
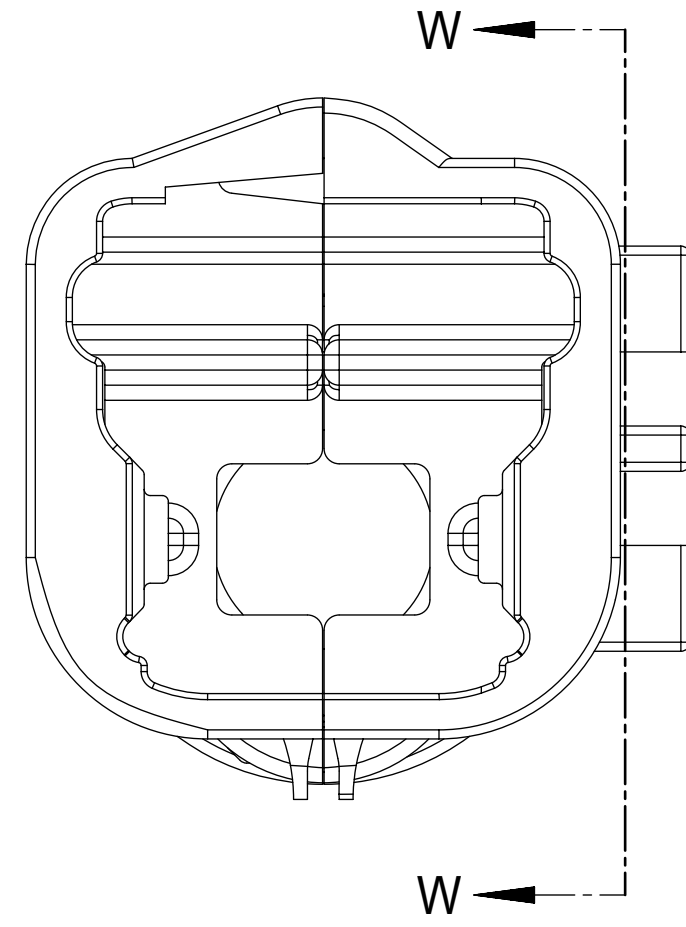
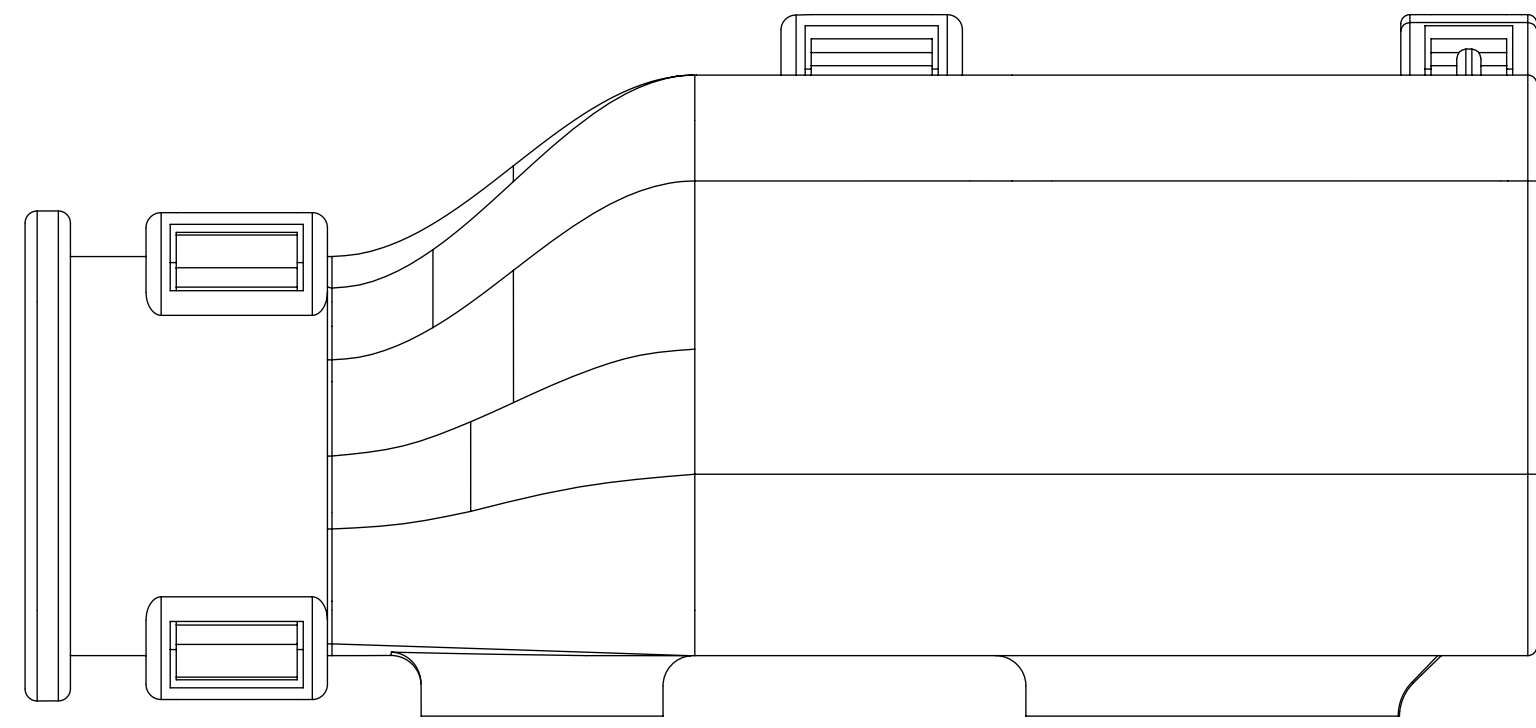
RECEPTACLE SEALED ASSEMBLY



| | | | |
|---|---|--------------------------------|---|
| FUNCTIONAL SYMBOLS | THIS DRAWING CONTAINS INFORMATION THAT IS PROPRIETARY TO MOLEX ELECTRONIC TECHNOLOGIES, LLC AND SHOULD NOT BE USED WITHOUT WRITTEN PERMISSION | | |
| | DIMENSION UNITS | SCALE | CURRENT REV DESC: |
| $\nabla_A = 0$ | mm | 4:1 | EC NO: 643941 DRWN: XLDONG03 2020/08/21 CHK'D: JDENG02 2020/08/26 APPR: JDENG02 2020/08/26 |
| $\nabla_C = 0$ | GENERAL TOLERANCES (UNLESS SPECIFIED) | | |
| $\nabla_D = 0$ | ANGULAR TOL $\pm 1.0^\circ$ | | INITIAL REVISION: DRWN: APROFFITT 2015/11/04 APPR: KDEKOSKI 2016/06/14 |
| DIVISIONAL SYMBOLS | 4 PLACES | \pm | |
| | 3 PLACES | \pm | DOCUMENT NUMBER SD-33471-0001 |
| | 2 PLACES | ± 0.1 | |
| | 1 PLACE | ± 0.2 | DOC PART 001 |
| | 0 PLACES | \pm | REVISION A1 |
| DRAFT WHERE APPLICABLE MUST REMAIN WITHIN DIMENSIONS | THIRD ANGLE PROJECTION | DRAWING D-SIZE | SERIES 33471 |
| | | MATERIAL NUMBER SEE NOTE 2a | CUSTOMER GENERAL MARKET |
| | | | SHEET NUMBER 6 OF 8 |

SHEET DESCRIPTION

BACKSHELL



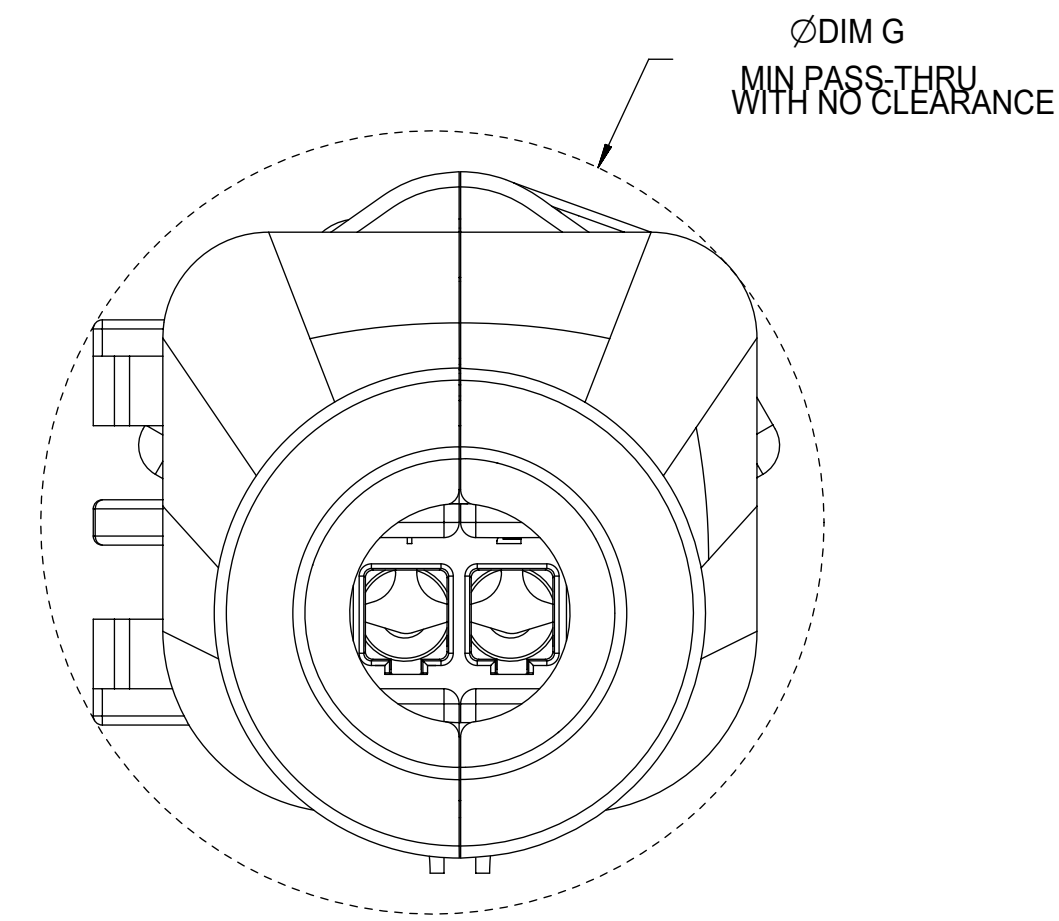
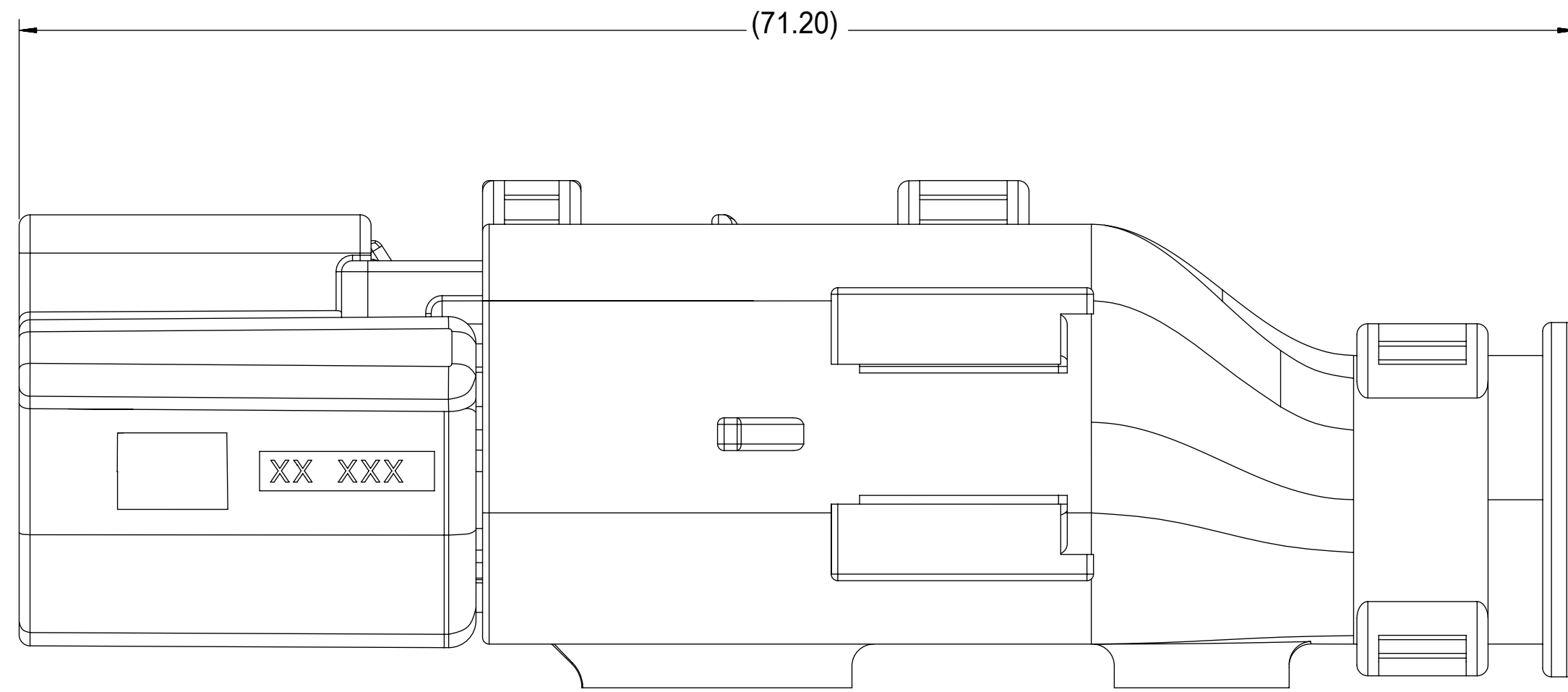
| | | | | | | |
|--|---|-------------------------------------|---|---|----------------------------|---|
| FUNCTIONAL SYMBOLS $F_A = 0$ $F_C = 0$ $F_P = 0$ | THIS DRAWING CONTAINS INFORMATION THAT IS PROPRIETARY TO MOLEX ELECTRONIC TECHNOLOGIES, LLC AND SHOULD NOT BE USED WITHOUT WRITTEN PERMISSION | | CURRENT REV DESC: | | | |
| | DIMENSION UNITS mm | SCALE 4:1 | EC NO: 643941 DRWN: XLDONG03 2020/08/21 CHK'D: JDENG02 2020/08/26 APPR: JDENG02 2020/08/26 | | | MX150 RCPT SINGLE ROW SEALED ASSY MAT SEAL |
| | GENERAL TOLERANCES (UNLESS SPECIFIED) ANGULAR TOL $\pm 1.0^\circ$ | | INITIAL REVISION: DRWN: APROFFITT 2015/11/04 APPR: KDEKOSKI 2016/06/14 | | | |
| | DIVISIONAL SYMBOLS 4 PLACES \pm 3 PLACES \pm 2 PLACES ± 0.1 1 PLACE ± 0.2 0 PLACES \pm | | DRAFT WHERE APPLICABLE MUST REMAIN WITHIN DIMENSIONS | | | THIRD ANGLE PROJECTION |
| DOCUMENT STATUS P1 | | RELEASE DATE 2020/08/26 07:23:52 | | MATERIAL NUMBER SD-33471-0001 | CUSTOMER GENERAL MARKET | |
| SHEET NUMBER 7 OF 8 | | DOCUMENT NUMBER PSD 001 | | REVISION A1 | | |

SHEET DESCRIPTION

BACKSHELL CONFIGURATIONS

CHARTED DIMENSIONS

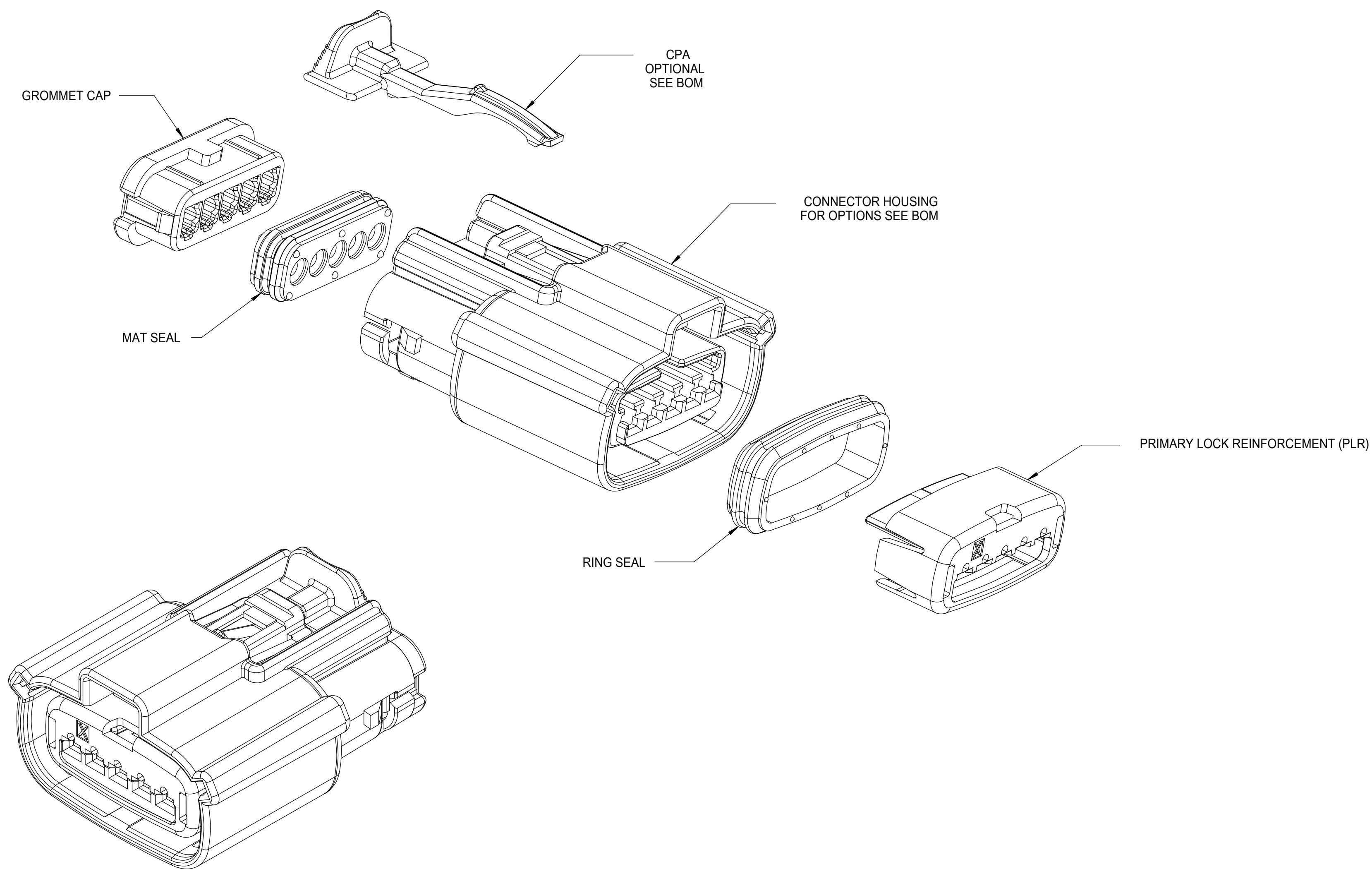
| DESCRIPTION | DIMENSIONS |
|-------------|------------|
| | G |
| 1X2 | 26.00 |
| | |
| | |
| | |



RECEPTACLE SEALED ASSEMBLY WITH RECEPTACLE BACKSHELL

| | | | | | |
|--|---|--|---------------------------|---|----------------------------|
| FUNCTIONAL SYMBOLS FA = 0 FC = 0 FP = 0 DIVISIONAL SYMBOLS | THIS DRAWING CONTAINS INFORMATION THAT IS PROPRIETARY TO MOLEX ELECTRONIC TECHNOLOGIES, LLC AND SHOULD NOT BE USED WITHOUT WRITTEN PERMISSION | | CURRENT REV DESC: | | |
| | DIMENSION UNITS | SCALE | EC NO: 643941 | | |
| | mm | 4:1 | DRWN: XLDONG03 2020/08/21 | | |
| | GENERAL TOLERANCES (UNLESS SPECIFIED) | | CHK'D: JDENG02 2020/08/26 | | |
| | ANGULAR TOL ± 1.0° | | APPR: JDENG02 2020/08/26 | | |
| 4 PLACES | ± | INITIAL REVISION: | | DOCUMENT NUMBER SD-33471-0001 | |
| 3 PLACES | ± | DRWN: APROFFITT 2015/11/04 | | | |
| 2 PLACES | ± 0.1 | APPR: KDEKOSKI 2016/06/14 | | DOC TYPE PSD | |
| 1 PLACE | ± 0.2 | DRAFT WHERE APPLICABLE MUST REMAIN WITHIN DIMENSIONS | | DOC PART 001 | |
| 0 PLACES | ± | THIRD ANGLE PROJECTION | | REVISION A1 | |
| DRAFT WHERE APPLICABLE MUST REMAIN WITHIN DIMENSIONS | | DRAWING D-SIZE | SERIES 33471 | MATERIAL NUMBER SEE NOTE 2a | CUSTOMER GENERAL MARKET |
| | | | | SHEET NUMBER 8 OF 8 | |

| TABLE OF CONTENTS | |
|-------------------|----------------------------|
| SHEET NO. | SHEET DESCRIPTION |
| 1 | NOTES |
| 2 | KEY CONFIGURATIONS |
| 3 | RECEPTACLE SEALED ASSEMBLY |
| 4 | BOM |



NOTES: VALID UNLESS OTHERWISE SPECIFIED

1. GENERAL:
 - a. APPLICATION SPECIFICATION SEE: AS-33472-100
 - CONTAINS: PRODUCT INTRODUCTION, PRODUCT SUMMARY, CONNECTOR ASSEMBLY, PACKAGING INFORMATION, CONNECTOR MATING, SERVICE INSTRUCTIONS, ELECTRICAL CONTINUITY CHECKING, CRIMPING, AND TROUBLESHOOTING.
 - DESIGNED TO MATE WITH DEVICE CONNECTION AS SPECIFIED IN DRAWING EWCAP 150-S-005-1-Z03, AVAILABLE AT <http://ewcap.uscarteams.org/>.
 - DESIGNED TO MATE WITH BLADE SEALED ASSEMBLY AS SPECIFIED IN DRAWING SD-33481-051
 - FOR 1.5mm RECEPTACLE TERMINALS TO BE USED WITH THIS ASSEMBLY. SEE MOLEX DRAWING SD-33012-002.
 - SYSTEM TO BE USED WITH WIRE WITHIN DIAMETER RANGE OF 1.2mm TO 2.69mm.
 - ASSEMBLY SHIPPED WITH PLR AND CPA IN PRE-LOCK POSITION (SEE SECTION Z-Z PRE-LOCK).
 - IN THE EVENT THAT THE PLR IS FOUND IN THE SEATED (FINAL LOCK) POSITION, REFER TO MOLEX SPECIFICATION PS-34646-001, AVAILABLE AT www.molex.com <http://www.molex.com>.
 - ASSEMBLY CONFORMS TO SAE/USCAR-2 REV.4 WITH THE FOLLOWING EXCEPTIONS:
 - ENGAGEMENT FORCE TO MOVE CPA FROM PRE-LOCK TO FINAL LOCK POSITION WHEN UNMATED: 40N MIN.
 - DISENGAGEMENT FORCE TO MOVE CPA FROM FINAL LOCK TO PRE-LOCK POSITION: 3N MIN, 40N MAX
 - TERMINAL INSERTION FORCE FOR WIRE DIAMETER ABOVE 2.5mm NOT EXCEEDING 2.69mm SHALL NOT EXCEED 40 NEWTONS.
 - b. PRODUCT SPECIFICATION SEE: PS-33471-000
 - CONTAINS: PRODUCT INTRODUCTION, PRODUCT SUMMARY, RATINGS (CURRENT, TEMPERATURE, SEALING, AND FLAMMABILITY), AND PRODUCT VALIDATION.
 - c. PACKAGING SPECIFICATION PER MOLEX DRAWING: PK-31300-903
 - d. PARTS MUST BE IN COMPLIANCE TO MOLEX CHEMICAL SUBSTANCES FOR PRODUCTS AND PACKAGING SPECIFICATION: ES-40000-5016
 - e. DATA MUST BE SUBMITTED UNDER THE MOLEX PART NUMBER TO IMDS (COMPANY ID#13255)
2. DESIGN - MATERIALS:
 - a. SEE BOM TABLE
3. DESIGN - GEOMETRY:
 - a. THIS IS A 100% CAD GENERATED PART. THE CAD MATHEMATICAL DATA IS THE MASTER FOR THIS PART. FOR DIMENSIONAL OR ANY INFORMATION NOT SHOWN ON THIS DRAWING, ANALYZE THE CAD MODEL.
 - b. GEOMETRIC DIMENSIONS AND TOLERANCES PER ASME Y14.5M - 1994
 - c. EDGES AND UNDIMENSIONED DETAILS PER ISO13715
 - d. CORNERS SHOWN AS SHARP TO BE R 0.2 MAX.
 - e. LETTERING SHALL BE 0.15 MAX RAISED IN 0.25 MAX RECESS PAD. THIS INCLUDES RECYCLING CODE, CAVITY ID, VENDOR IDENTIFICATION, AND CUSTOMER MATERIAL NUMBER.
 - f. VISUAL DEFECTS SHALL MEET COSMETIC STANDARD PS-45499-002 (Class B)
 - g. LASER MARKING: TBD

| | |
|-----|---|
| M8 | UPDATED THE DRAWING FRAME |
| M7 | ADD NEW P/N 33471-0542 |
| M6 | CHANGE THE STATUS TO SALEABLE FROM TOOLED BUT NOT VALIDATED FOR DK GREY AND ST GREY |
| M5 | UPDATE 33471-0503 33471-0504 33471-0508 33471-0509 PRODUCTION STATUS |
| M4 | UPDATED SHEET 3 NOMENCLATURE |
| M3 | UPDATED PACKAGING DIMENSIONS |
| M2 | UPDATED COMPONENT BOM |
| M1 | UPDATED WIRE DIAMETER RANGE |
| M | UPDATED NOTE 1c |
| L | UPDATE PER PRODUCTION DESIGN |
| REV | DESCRIPTION |

INSPECTION BALLOON NUMBER LOG

PER DRAWING REVISION: M3

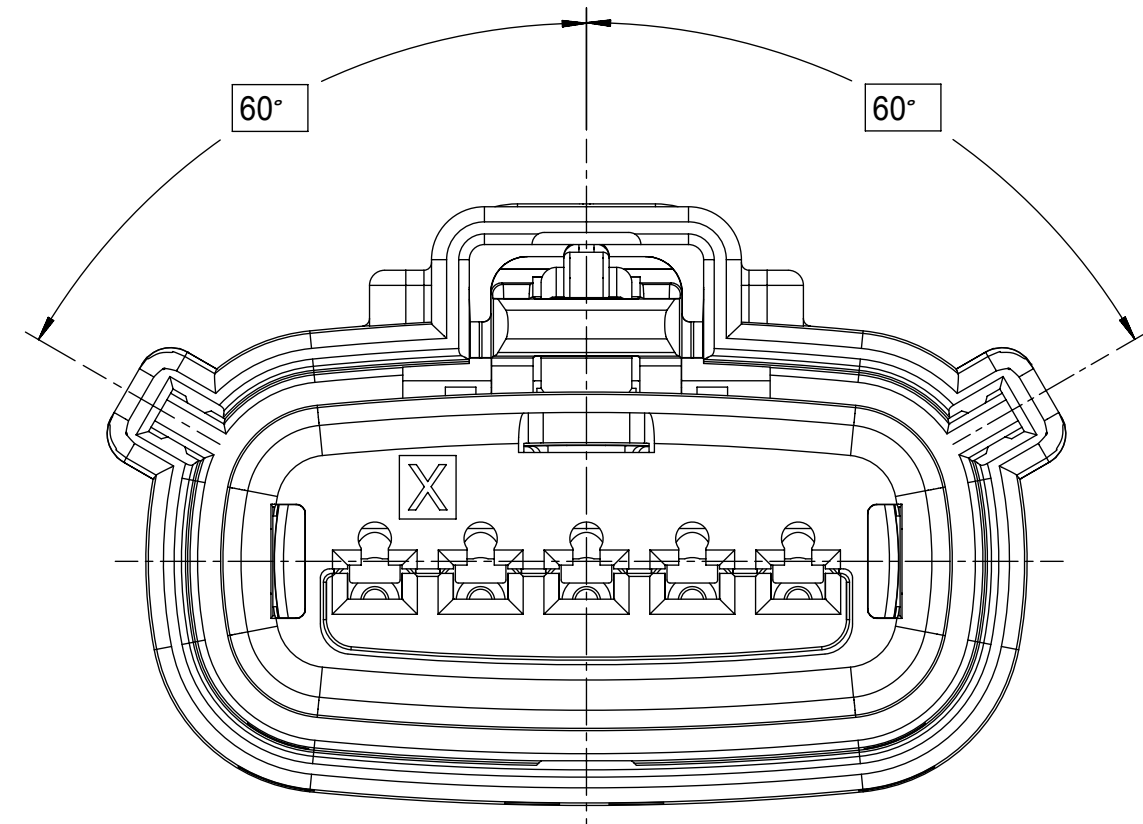
LAST BALLOON NUMBER USED: 4

ADDED BALLOON NUMBERS: 1a, 2a

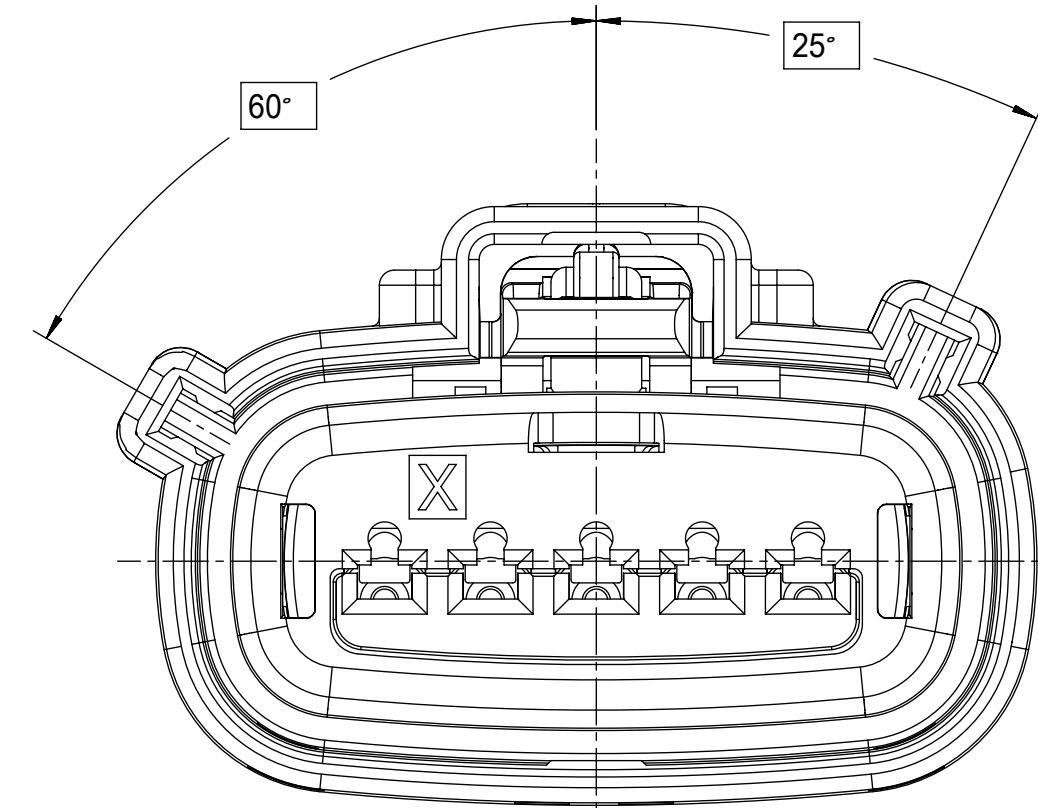
REMOVED BALLOON NUMBERS:

| | | | | | |
|--|---|---|---|---|--|
| FUNCTIONAL SYMBOLS FA = 0 FC = 0 FP = 0 | THIS DRAWING CONTAINS INFORMATION THAT IS PROPRIETARY TO MOLEX ELECTRONIC TECHNOLOGIES, LLC AND SHOULD NOT BE USED WITHOUT WRITTEN PERMISSION | | CURRENT REV DESC: | | |
| | DIMENSION UNITS | SCALE | EC NO: 643941 DRWN: XLDONG03 2020/08/21 CHK'D: JDENG02 2020/08/26 APPR: JDENG02 2020/08/26 | | |
| | mm | 3:1 | INITIAL REVISION: DRWN: MDICK 2012/06/01 APPR: VKOSHY 2012/06/01 | | |
| GENERAL TOLERANCES (UNLESS SPECIFIED) | | 4 PLACES ± 3 PLACES ± 2 PLACES ± 0.1 1 PLACE ± 0.2 0 PLACES ± | | PRODUCT CUSTOMER DRAWING DOCUMENT NUMBER: SD-33471-051 DOC TYPE: PSD DOC PART: 001 REVISION: M8 | |
| ANGULAR TOL ± 3.0° | | DRAFT WHERE APPLICABLE MUST REMAIN WITHIN DIMENSIONS | | MATERIAL NUMBER: SEE BOM CUSTOMER: GENERAL MARKET SHEET NUMBER: 1 OF 5 | |
| THIRD ANGLE PROJECTION | | D-DRAWING: D-SIZE SERIES: 33471 | | | |

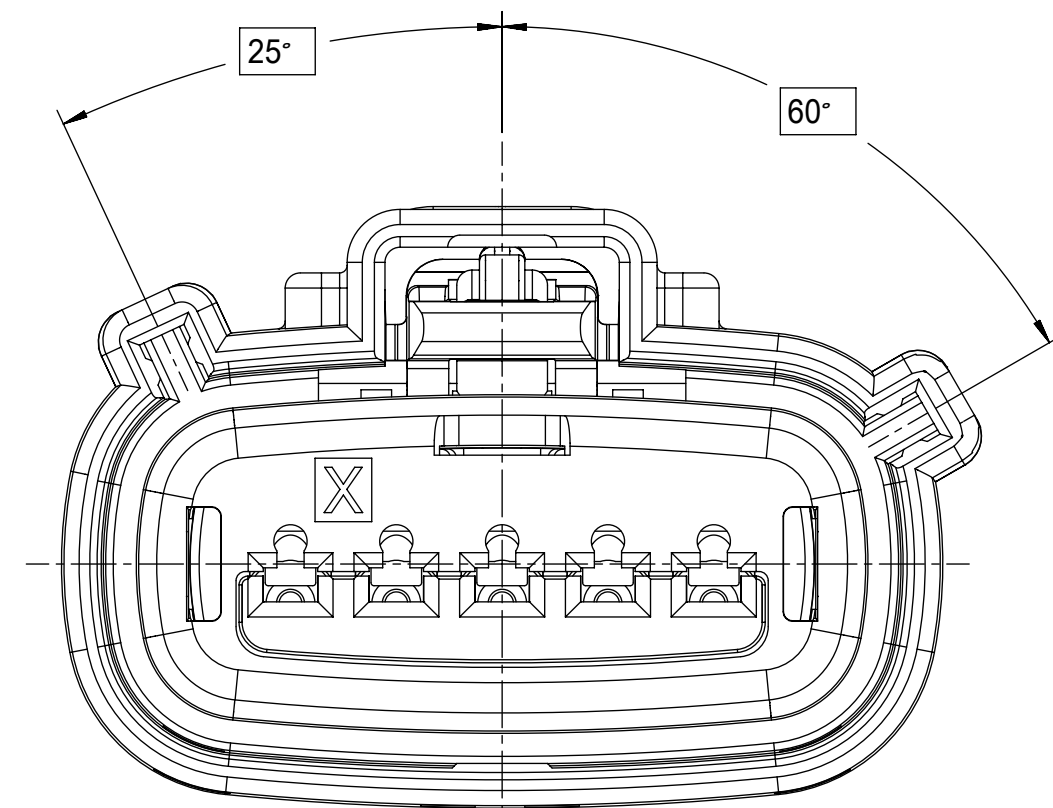
KEY CONFIGURATIONS



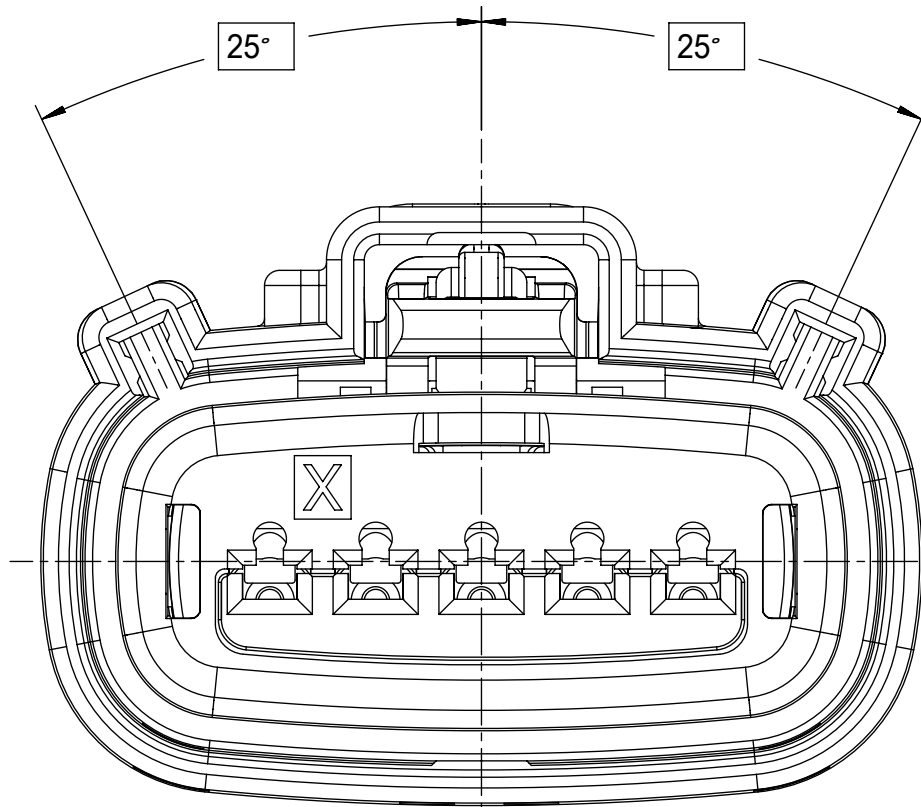
KEY A



KEY B



KEY C



KEY D

| | | | |
|--|---|------------------------|--|
| FUNCTIONAL SYMBOLS | THIS DRAWING CONTAINS INFORMATION THAT IS PROPRIETARY TO MOLEX ELECTRONIC TECHNOLOGIES, LLC AND SHOULD NOT BE USED WITHOUT WRITTEN PERMISSION | | |
| | DIMENSION UNITS | SCALE | CURRENT REV DESC: |
| $\nabla_A = 0$ | mm | 4:1 | |
| $\nabla_C = 0$ | GENERAL TOLERANCES (UNLESS SPECIFIED) | | |
| $\nabla_D = 0$ | ANGULAR TOL $\pm 3.0^\circ$ | | |
| DIVISIONAL SYMBOLS | 4 PLACES | \pm | EC NO: 643941 |
| | 3 PLACES | \pm | DRWN: XLDONG03 2020/08/21 |
| | 2 PLACES | ± 0.1 | CHK'D: JDENG02 2020/08/26 |
| | 1 PLACE | ± 0.2 | APPR: JDENG02 2020/08/26 |
| | 0 PLACES | \pm | INITIAL REVISION: |
| DRAFT WHERE APPLICABLE MUST REMAIN WITHIN DIMENSIONS | | THIRD ANGLE PROJECTION | DRAWING SERIES MATERIAL NUMBER CUSTOMER SHEET NUMBER |
| | | | D-SIZE 33471 SEE BOM GENERAL MARKET 2 OF 5 |

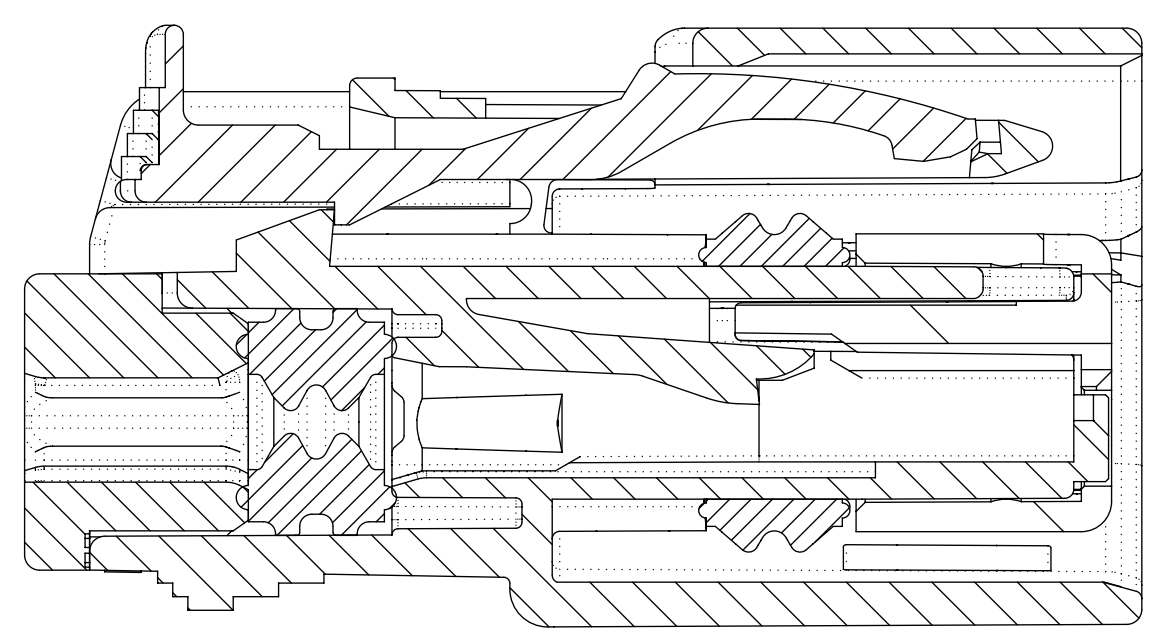
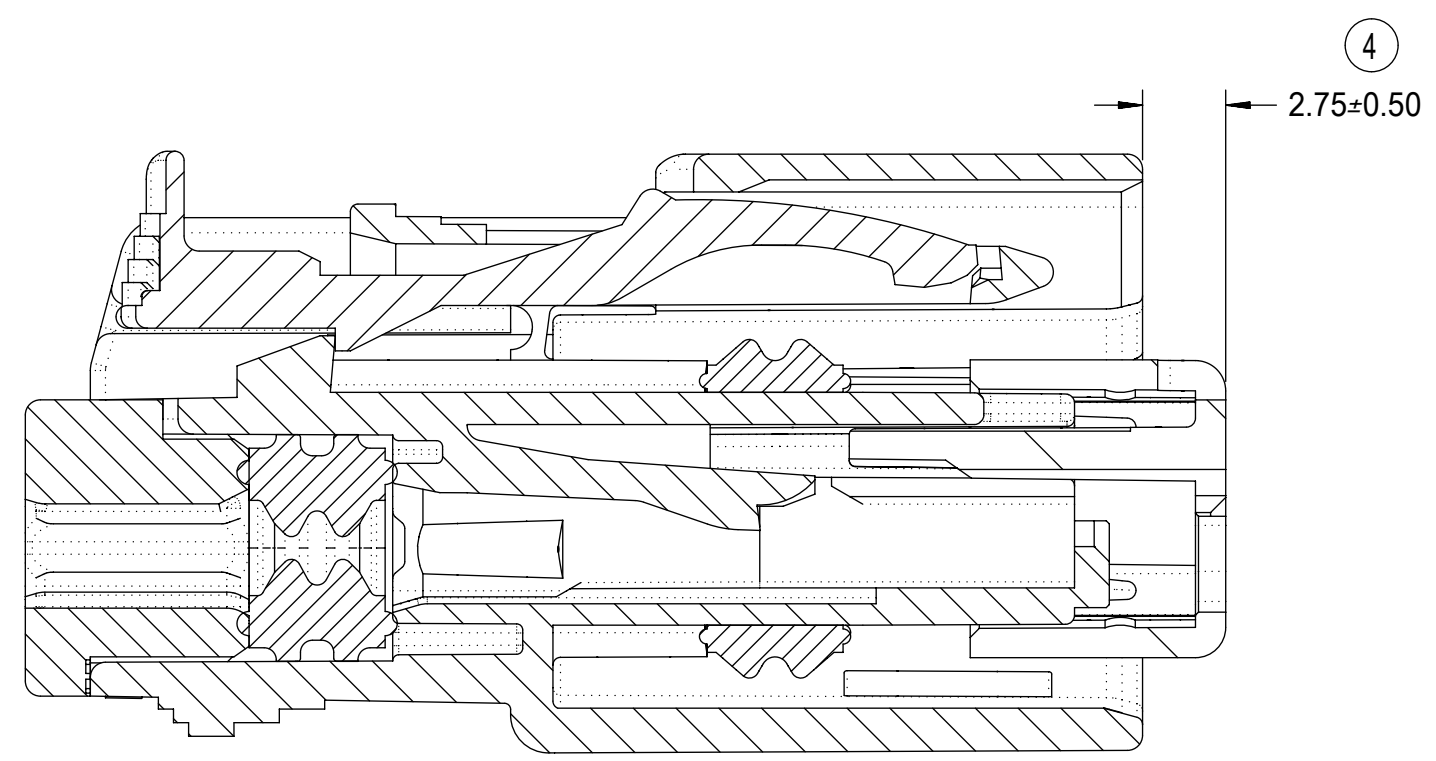
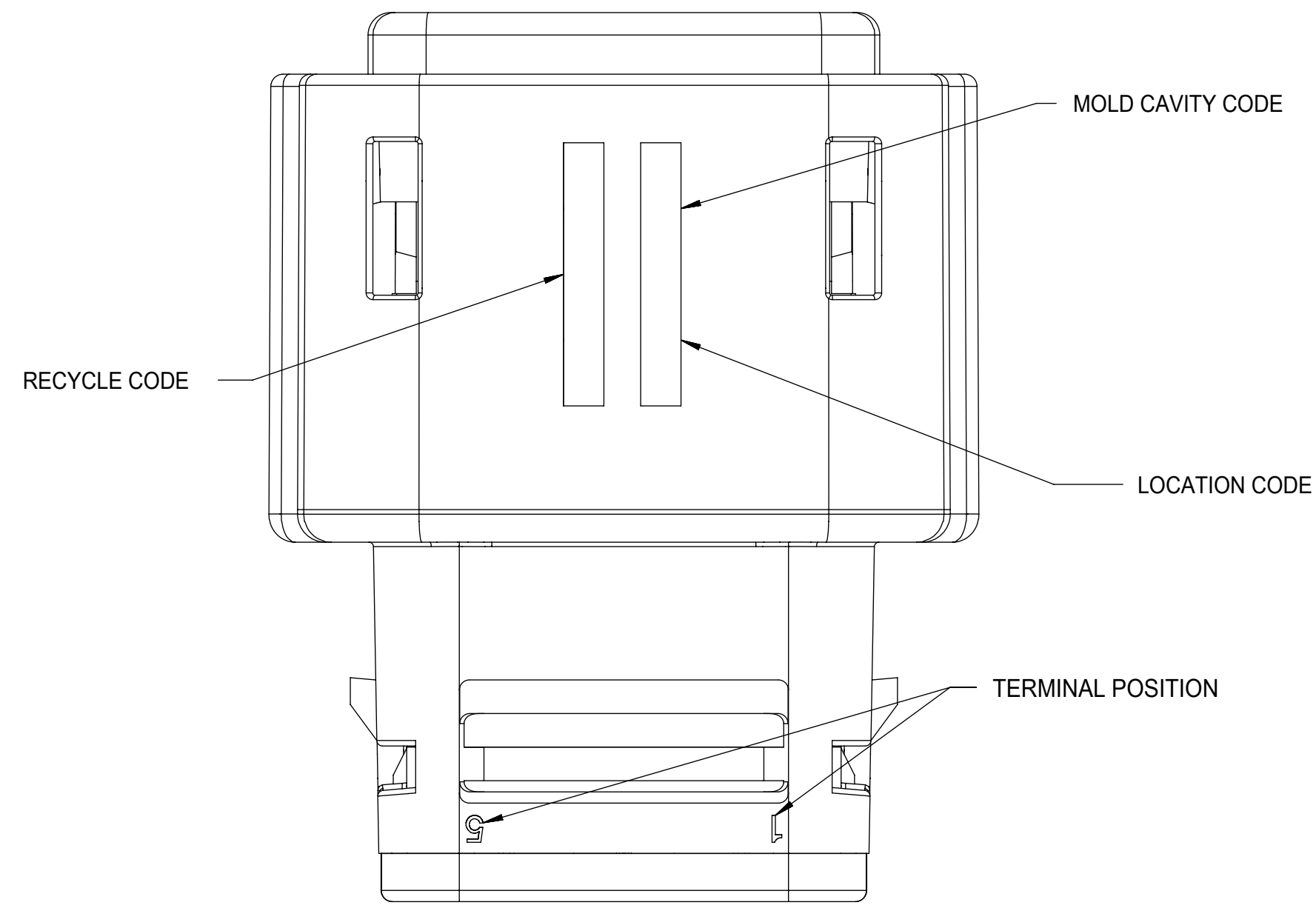
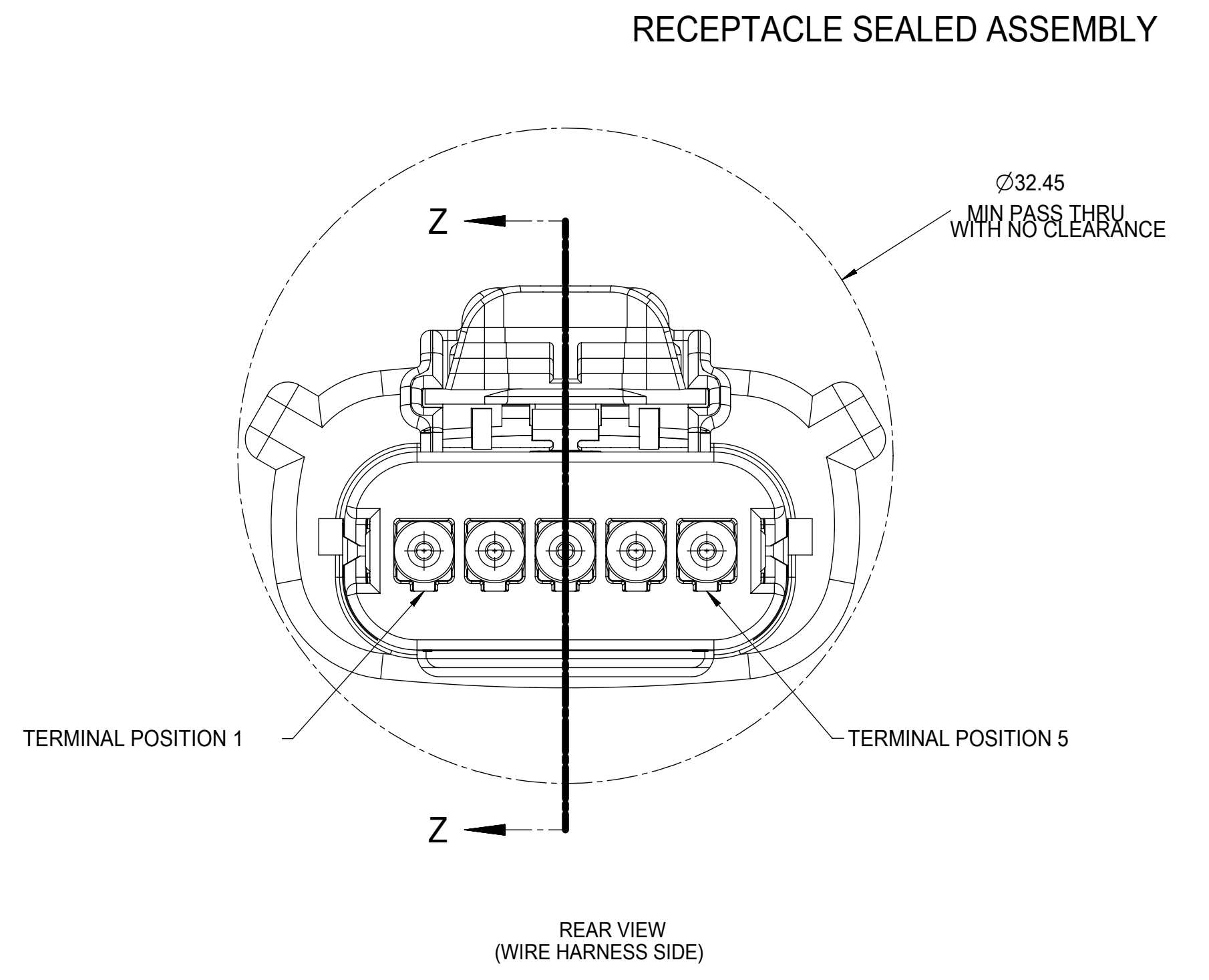
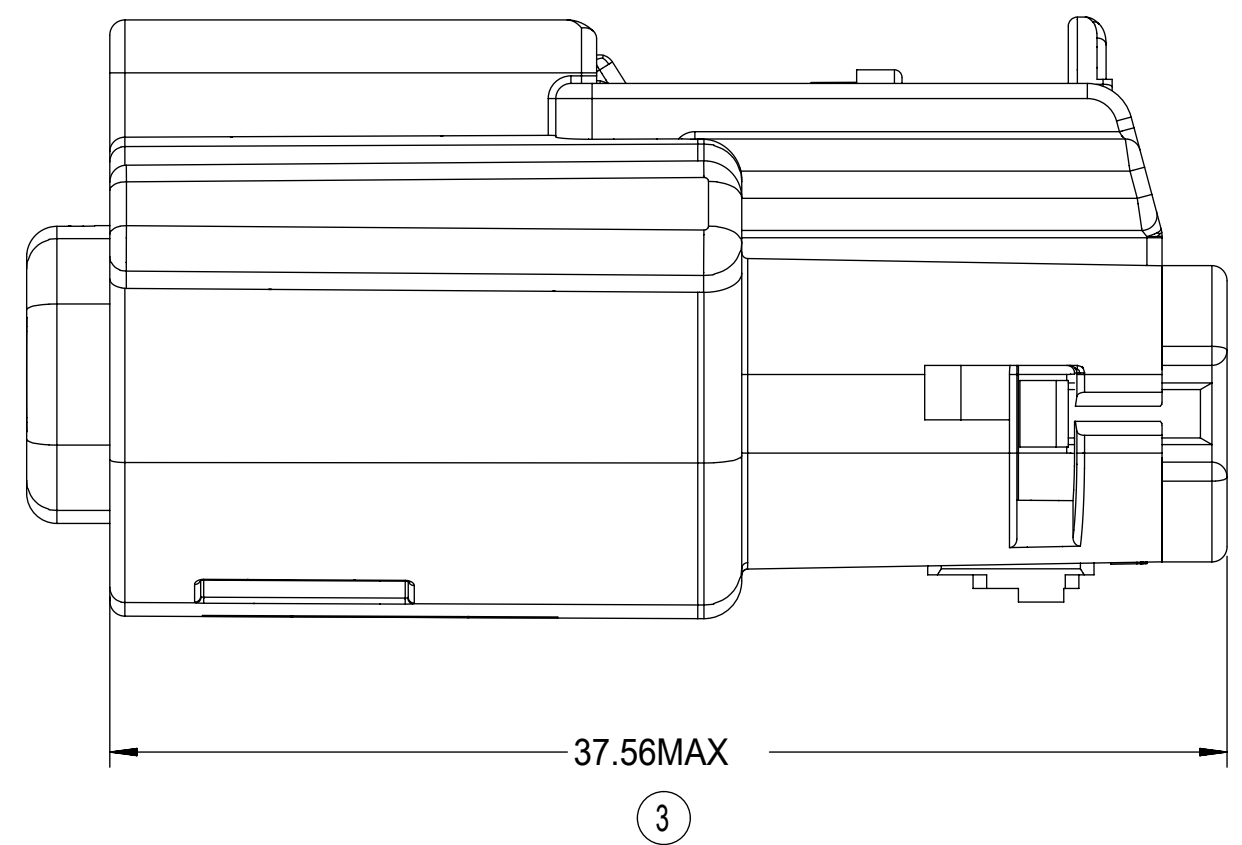
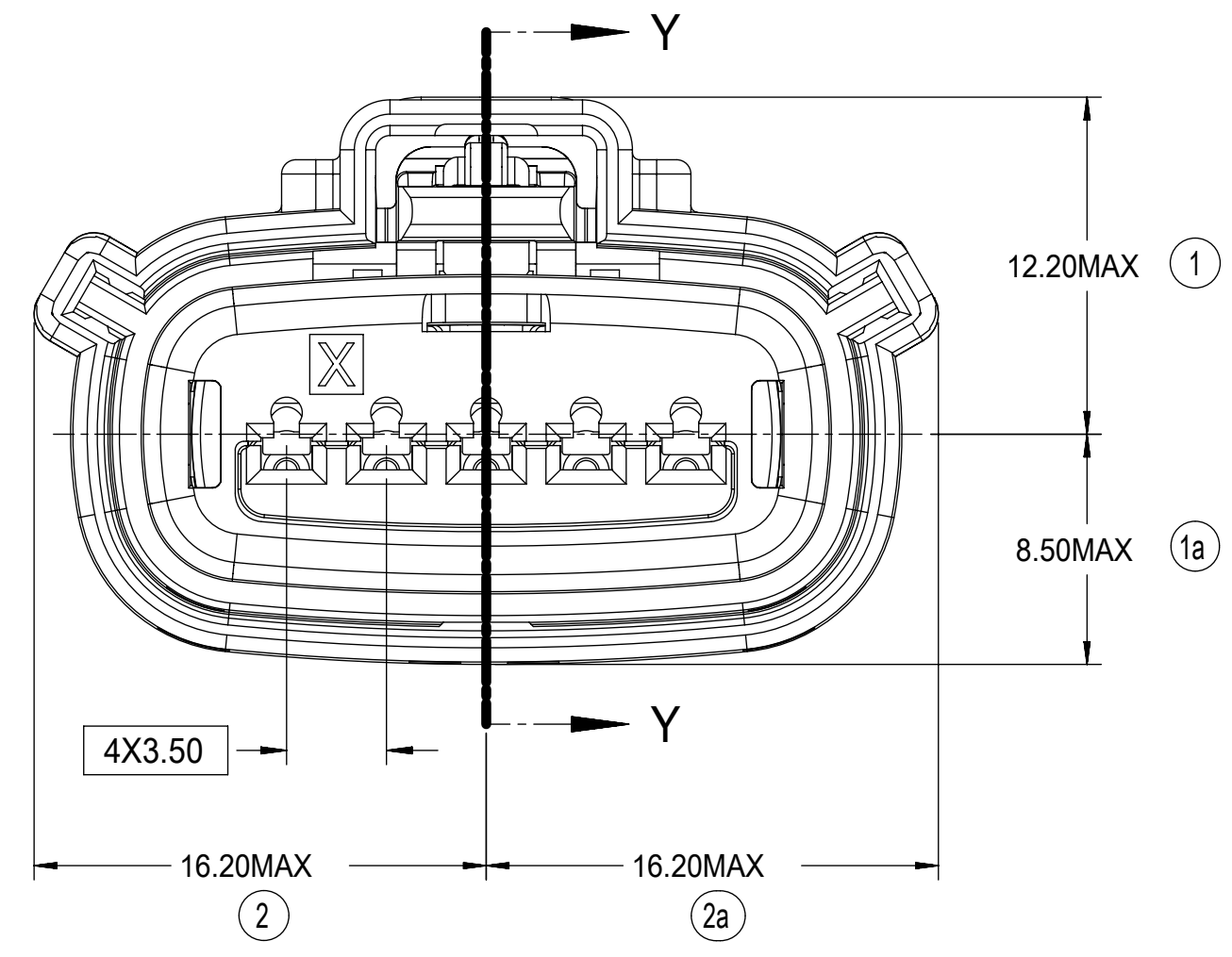
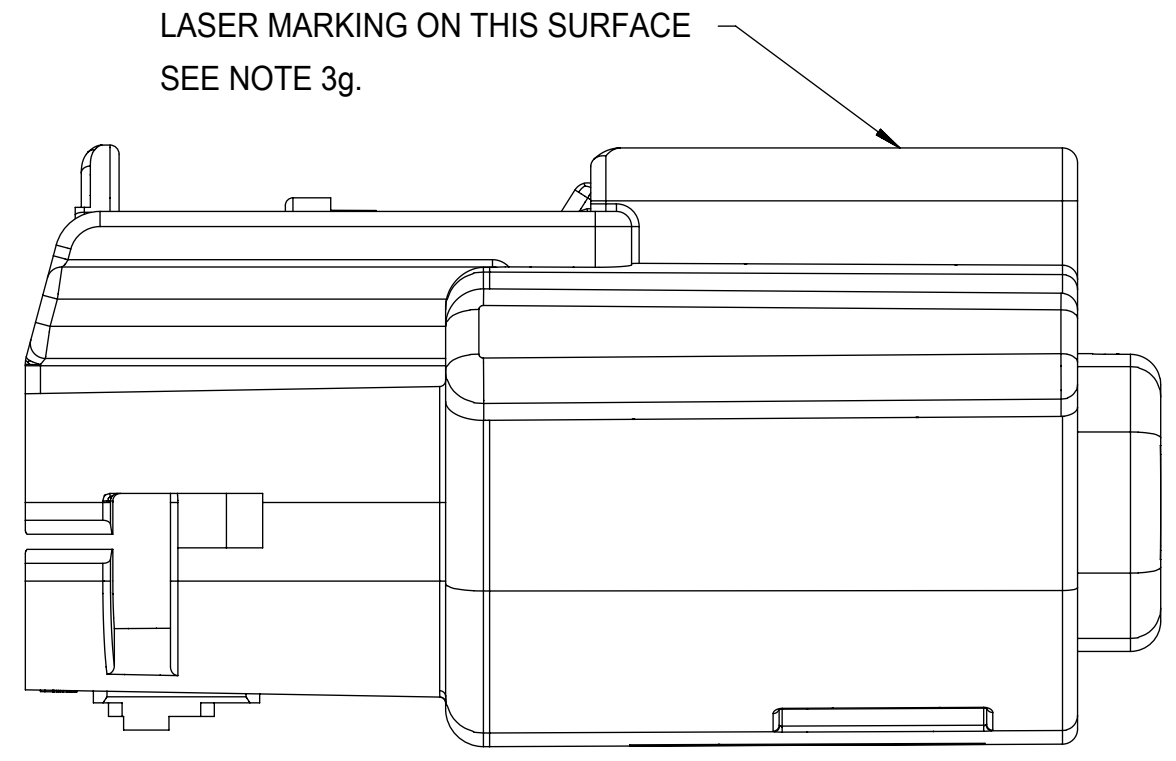
molex

MX150 1X5 RECEPTACLE
SEALED ASSEMBLY MAT SEAL

PRODUCT CUSTOMER DRAWING

DOCUMENT NUMBER
SD-33471-051

DOC TYPE DOC PART REVISION
PSD 001 M8



PRIMARY LOCK REINFORCEMENT (PLR) SHOWN
IN PRE-STAGED POSITION
SECTION Z-Z

PRIMARY LOCK REINFORCEMENT (PLR) SHOWN
IN FINAL-LOCK POSITION
SECTION Y-Y

| | | | | | | | |
|---|---|------------------------|-------------------|------------|-----------------|----------------|--------------|
| FUNCTIONAL SYMBOLS $F_A = 0$ $F_C = 0$ $F_D = 0$ DIVISIONAL SYMBOLS | THIS DRAWING CONTAINS INFORMATION THAT IS PROPRIETARY TO MOLEX ELECTRONIC TECHNOLOGIES, LLC AND SHOULD NOT BE USED WITHOUT WRITTEN PERMISSION | | CURRENT REV DESC: | | | | |
| | DIMENSION UNITS | SCALE | EC NO: 643941 | | | | |
| | mm | 4:1 | DRWN: XLDONG03 | 2020/08/21 | | | |
| | GENERAL TOLERANCES (UNLESS SPECIFIED) | | CHK'D: JDENG02 | 2020/08/26 | | | |
| | ANGULAR TOL ± 3.0° | | APPR: JDENG02 | 2020/08/26 | | | |
| 4 PLACES ± | | INITIAL REVISION: | | | | | |
| 3 PLACES ± | | DRWN: MDICK | 2012/06/01 | | | | |
| 2 PLACES ± 0.1 | | APPR: VKOSHY | 2012/06/01 | | | | |
| 1 PLACE ± 0.2 | | | | | | | |
| 0 PLACES ± | | | | | | | |
| DRAFT WHERE APPLICABLE MUST REMAIN WITHIN DIMENSIONS | | THIRD ANGLE PROJECTION | DRAWING | SERIES | MATERIAL NUMBER | CUSTOMER | SHEET NUMBER |
| | | | D-SIZE | 33471 | SEE BOM | GENERAL MARKET | 3 OF 5 |

| | | | |
|--|----------|----------|----------|
| molex | | | |
| MX150 1X5 RECEPTACLE SEALED ASSEMBLY MAT SEAL | | | |
| PRODUCT CUSTOMER DRAWING | | | |
| DOCUMENT NUMBER | DOC TYPE | DOC PART | REVISION |
| SD-33471-051 | PSD | 001 | M8 |


| ASSEMBLY DESCRIPTION | ASSEMBLY PART NUMBER | A | B | C | D | C | D | GCO | GCP | CPA | 1 | 2 | 3 | 4 | 5 | STATUS | COMMENTS |
|--------------------------|----------------------|---|---|---|---|---|---|-----|-----|-----|---|---|---|---|---|---|----------|
| KEY A W/ CPA, BLACK | 33471-0541 | A | | | | | | | GCP | CPA | | | | | | SALEABLE | |
| KEY D W/ CPA, STONE GRAY | 33471-0540 | | | | | | | D | GCO | CPA | | | | | | SALEABLE | |
| KEY C W/ CPA, DARK GRAY | 33471-0539 | | | | | C | | | GCO | CPA | | | | | | SALEABLE | |
| KEY D, STONE GRAY | 33471-0538 | | | | | | | D | GCO | | | | | | | SALEABLE | |
| KEY C, DARK GRAY | 33471-0537 | | | | | C | | | GCO | | | | | | | SALEABLE | |
| KEY A W/ CPA, BLACK | 33471-0536 | A | | | | | | | GCP | CPA | | 2 | | 4 | | SALEABLE | |
| VOID KEY | 33471-0535 | | | | | | | | | | | | | | | | |
| KEY D, GREEN | 33471-0534 | | | | | D | | | GCP | | 1 | 2 | 3 | 4 | 5 | OBSOLETE | |
| KEY C, BROWN | 33471-0533 | | | | | C | | | GCP | | 1 | 2 | 3 | 4 | 5 | OBSOLETE | |
| KEY B, LIGHT GRAY | 33471-0532 | | B | | | | | | GCP | | 1 | 2 | 3 | 4 | 5 | TOOLED BUT NOT VALIDATED | |
| KEY A, BLACK | 33471-0531 | A | | | | | | | GCP | | 1 | 2 | 3 | 4 | 5 | SALEABLE | |
| VOID KEY | 33471-0530 | | | | | | | | | | | | | | | | |
| KEY D W/ CPA, GREEN | 33471-0529 | | | | | D | | | GCP | CPA | 1 | | | | 5 | OBSOLETE | |
| KEY C W/ CPA, BROWN | 33471-0528 | | | | | C | | | GCP | CPA | 1 | | | | 5 | OBSOLETE | |
| KEY B W/ CPA, LIGHT GRAY | 33471-0527 | | B | | | | | | GCP | CPA | 1 | | | | 5 | TOOLED BUT NOT VALIDATED | |
| KEY A W/ CPA, BLACK | 33471-0526 | A | | | | | | | GCP | CPA | 1 | | | | 5 | SALEABLE | |
| VOID KEY | 33471-0525 | | | | | | | | | | | | | | | | |
| KEY D, GREEN | 33471-0524 | | | | | D | | | GCP | | 1 | | | | 5 | OBSOLETE | |
| KEY C, BROWN | 33471-0523 | | | | | C | | | GCP | | 1 | | | | 5 | OBSOLETE | |
| KEY B, LIGHT GRAY | 33471-0522 | | B | | | | | | GCP | | 1 | | | | 5 | TOOLED BUT NOT VALIDATED | |
| KEY A, BLACK | 33471-0521 | A | | | | | | | GCP | | 1 | | | | 5 | SALEABLE | |
| VOID KEY | 33471-0520 | | | | | | | | | | | | | | | | |
| KEY D W/ CPA, GREEN | 33471-0519 | | | | | D | | | GCP | CPA | | | | | 5 | OBSOLETE | |
| KEY C W/ CPA, BROWN | 33471-0518 | | | | | C | | | GCP | CPA | | | | | 5 | OBSOLETE | |
| KEY B W/ CPA, LIGHT GRAY | 33471-0517 | | B | | | | | | GCP | CPA | | | | | 5 | TOOLED BUT NOT VALIDATED | |
| KEY A W/ CPA, BLACK | 33471-0516 | A | | | | | | | GCP | CPA | | | | | 5 | SALEABLE | |
| VOID KEY | 33471-0515 | | | | | | | | | | | | | | | | |
| KEY D, GREEN | 33471-0514 | | | | | D | | | GCP | | | | | | 5 | OBSOLETE | |
| KEY C, BROWN | 33471-0513 | | | | | C | | | GCP | | | | | | 5 | OBSOLETE | |
| KEY B, LIGHT GRAY | 33471-0512 | | B | | | | | | GCP | | | | | | 5 | TOOLED BUT NOT VALIDATED | |
| KEY A, BLACK | 33471-0511 | A | | | | | | | GCP | | | | | | 5 | SALEABLE | |
| VOID KEY | 33471-0510 | | | | | | | | | | | | | | | | |
| KEY D W/ CPA, GREEN | 33471-0509 | | | | | D | | | GCO | CPA | | | | | | NOT RECOMMENDED USE,PLEASE USE 33471-0540 | |
| KEY C W/ CPA, BROWN | 33471-0508 | | | | | C | | | GCO | CPA | | | | | | NOT RECOMMENDED USE,PLEASE USE 33471-0539 | |
| KEY B W/ CPA, LIGHT GRAY | 33471-0507 | | B | | | | | | GCO | CPA | | | | | | TOOLED BUT NOT VALIDATED | |
| KEY A W/ CPA, BLACK | 33471-0506 | A | | | | | | | GCO | CPA | | | | | | SALEABLE | |
| VOID KEY | 33471-0505 | | | | | | | | | | | | | | | | |
| KEY D, GREEN | 33471-0504 | | | | | D | | | GCO | | | | | | | NOT RECOMMENDED USE,PLEASE USE 33471-0538 | |
| KEY C, BROWN | 33471-0503 | | | | | C | | | GCO | | | | | | | NOT RECOMMENDED USE,PLEASE USE 33471-0537 | |
| KEY B, LIGHT GRAY | 33471-0502 | | B | | | | | | GCO | | | | | | | TOOLED BUT NOT VALIDATED | |
| KEY A, BLACK | 33471-0501 | A | | | | | | | GCO | | | | | | | SALEABLE | |

| DESCRIPTION | COLOR | MATERIAL |
|-------------------------|------------|--------------------------------|
| MAT SEAL | ROYAL BLUE | INHERENTLY LUBRICATED SILICONE |
| RING SEAL | ROYAL BLUE | INHERENTLY LUBRICATED SILICONE |
| PLR | NATURAL | SPS/NYLON GF20 |
| CPA | RED | PBT GF30 |
| GROMMET CAP (PLUGGED) | BLACK | SPS/NYLON GF20 |
| GROMMET CAP (OPEN) | BLACK | SPS/NYLON GF20 |
| HOUSING KEYING OPTION D | STONE GRAY | SPS/NYLON GF20 |
| HOUSING KEYING OPTION C | DARK GRAY | SPS/NYLON GF20 |
| HOUSING KEYING OPTION D | GREEN | SPS/NYLON GF20 |
| HOUSING KEYING OPTION C | BROWN | SPS/NYLON GF20 |
| HOUSING KEYING OPTION B | LIGHT GRAY | SPS/NYLON GF20 |
| HOUSING KEYING OPTION A | BLACK | SPS/NYLON GF20 |

BOM/APPLICABLE COMPONENTS TABLE

LEGEND TABLE

| ABBREVIATION | COMPONENT |
|--------------|-----------------------|
| A | HOUSING KEY A |
| B | HOUSING KEY B |
| C | HOUSING KEY C |
| D | HOUSING KEY D |
| GCO | GROMMET CAP (OPEN) |
| GCP | GROMMET CAP (PLUGGED) |
| M | MAT SEAL |
| R | RING SEAL |
| P | PLR, STANDARD |
| CPA | CPA |

| | | | | |
|--|--|---|------------------------|--|
| FUNCTIONAL SYMBOLS FA = 0 FC = 0 FP = 0 | THIS DRAWING CONTAINS INFORMATION THAT IS PROPRIETARY TO MOLEX ELECTRONIC TECHNOLOGIES, LLC AND SHOULD NOT BE USED WITHOUT WRITTEN PERMISSION | CURRENT REV DESC: | |  <p>MX150 1X5 RECEPTACLE SEALED ASSEMBLY MAT SEAL</p> <p>PRODUCT CUSTOMER DRAWING</p> |
| | DIMENSION UNITS: mm SCALE: GENERAL TOLERANCES (UNLESS SPECIFIED) ANGULAR TOL ± 3.0° 4 PLACES ± 3 PLACES ± 2 PLACES ± 0.1 1 PLACE ± 0.2 0 PLACES ± | EC NO: 643941 DRWN: XLDONG03 2020/08/21 CHK'D: JDENG02 2020/08/26 APPR: JDENG02 2020/08/26 | | |
| DIVISIONAL SYMBOLS | DRAFT WHERE APPLICABLE MUST REMAIN WITHIN DIMENSIONS | THIRD ANGLE PROJECTION | DRAWING: D-SIZE | SHEET NUMBER: 4 OF 5 |

