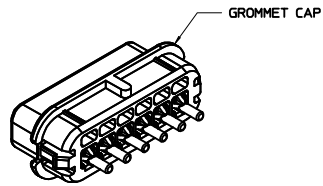
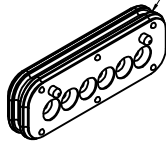


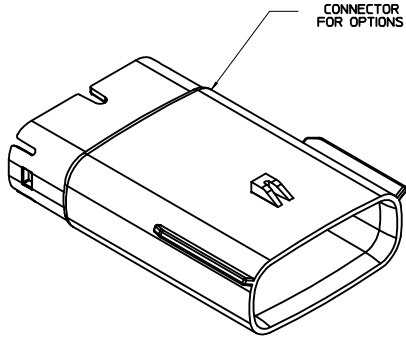
TABLE OF CONTENTS	
SHEET NO.	SHEET DESCRIPTION
1	NOTES
2	KEY CONFIGURATIONS
3	BLADE SEALED ASSEMBLY
4	SYSTEM PACKAGING
5	BOM



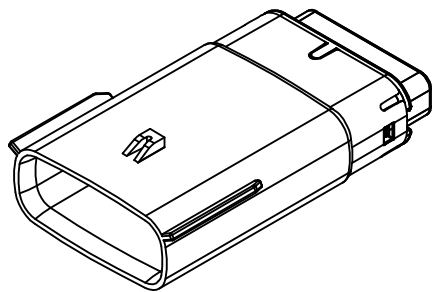
GROMMET CAP



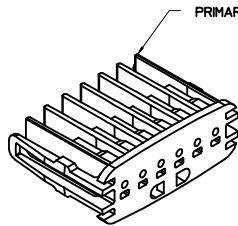
MAT SEAL



CONNECTOR HOUSING FOR OPTIONS SEE BOM



PRIMARY LOCK REINFORCEMENT (PLR)



NOTES: VALID UNLESS OTHERWISE SPECIFIED

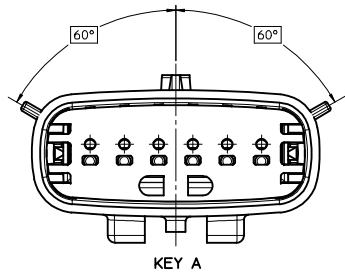
1. GENERAL:
  - a. APPLICATION SPECIFICATION SEE: AS-33472-100  
 CONTAINS: PRODUCT INTRODUCTION, PRODUCT SUMMARY, CONNECTOR ASSEMBLY, PACKAGING INFORMATION, CONNECTOR MATING, SERVICE INSTRUCTIONS, ELECTRICAL CONTINUITY CHECKING, CRIMPING, AND TROUBLESHOOTING.  
 -DESIGNED TO MATE WITH RECEPTACLE SEALED ASSEMBLY SPECIFIED IN MOLEX DRAWING SD-33471-061.  
 -FOR 1.5mm BLADE TERMINALS TO BE USED WITH THIS ASSEMBLY SEE MOLEX DRAWING SD-33000-001.  
 -SYSTEM TO BE USED WITH WIRE WITHIN DIAMETER RANGE OF 1.2mm TO 2.69mm.  
 -ASSEMBLY SHIPPED WITH PLR IN PRE-LOCK POSITION  
 -IN THE EVENT THAT THE PLR IS FOUND IN THE SEATED (FINAL LOCK) POSITION, REFER TO MOLEX SPECIFICATION PS-34646-001, AVAILABLE AT [www.molex.com](http://www.molex.com) -<http://www.molex.com>  
 -ASSEMBLY CONFORMS TO SAE/USCAR-2 REV.4 WITH THE FOLLOWING EXCEPTIONS: TERMINAL INSERTION FORCE FOR WIRE DIAMETER ABOVE 2.5mm NOT EXCEEDING 2.69mm SHALL NOT EXCEED 45 NEWTONS.
  - b. PRODUCT SPECIFICATION SEE: PS-33471-000  
 CONTAINS: PRODUCT INTRODUCTION, PRODUCT SUMMARY, RATINGS (CURRENT, TEMPERATURE, SEALING, AND FLAMMABILITY), AND PRODUCT VALIDATION.
  - c. PACKAGING SPECIFICATION PER MOLEX DRAWING: PK-31300-635
  - d. PARTS MUST BE IN COMPLIANCE TO MOLEX CHEMICAL SUBSTANCES FOR PRODUCTS AND PACKAGING SPECIFICATION: ES-40000-5016
  - e. DATA MUST BE SUBMITTED UNDER THE MOLEX PART NUMBER TO IMDS (COMPANY ID#13255)
2. DESIGN - MATERIALS:
  - a. CONNECTOR HOUSING, GROMMET CAP, PLR: SPS/NYLON BLEND 20% GLASS FILLED
  - b. MAT SEAL: INHERENTLY LUBRICATED SILICONE
3. DESIGN - GEOMETRY:
  - a. THIS IS A 100% CAD GENERATED PART. THE CAD MATHEMATICAL DATA IS THE MASTER FOR THIS PART. FOR DIMENSIONAL OR ANY INFORMATION NOT SHOWN ON THIS DRAWING, ANALYZE THE CAD MODEL.
  - b. GEOMETRIC DIMENSIONS AND TOLERANCES PER ASME Y14.5M - 1994
  - c. EDGES AND UNDIMENSIONED DETAILS PER ISO13715
  - d. CORNERS SHOWN AS SHARP TO BE R 0.2 MAX.
  - e. LETTERING SHALL BE 0.15 MAX RAISED IN 0.25 MAX RECESS PAD. THIS INCLUDES RECYCLING CODE, CAVITY ID, VENDOR IDENTIFICATION, AND CUSTOMER MATERIAL NUMBER.
  - f. VISUAL DEFECTS SHALL MEET COSMETIC STANDARD PS-45499-002 (Class B)
  - g. LASER MARKING: TBD

INSPECTION NUMBER LOG  
 LAST NUMBER USED: 8  
 ADDED:  
 REMOVED:

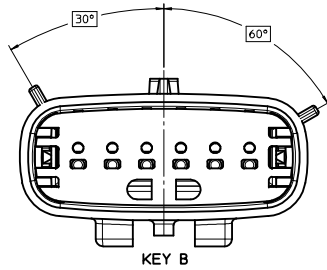
REV	DESCRIPTION
V3	ADD NEW P/N 33481-6601 TO 33481-6624
V2	ADD NEW P/N 33481-0624
V1	ADD NEW P/N 33481-0623
U	ADD NEW P/N 33481-0621 33481-0622
T	ADD NEW P/N 33481-0620
S	UPDATED GROMMET CAP
R1	UPDATED DIMENSIONS TO MATCH MODEL
R	COLOR REPLACEMENT FOR KEY C AND D PER USCAR STANDARD
D	REDRAWN

REVISED DEC NO: 11/01/2018-0293 V3 DRAWN: SONGOS 2017/10/14 CHECKED: HANSON APPROVED: HANSON/2017/10/30 DESCRIPTION:	QUALITY SYMBOLS	GENERAL TOLERANCES (UNLESS SPECIFIED):	DIMENSION STYLE	SCALE	DESIGN UNITS	THIRD ANGLE PROJECTION	
	▽=0	mm INCH	MM ONLY	3:1	METRIC		
	▽=0	4 PLACES ± --- ± ---	DRAWN BY DATE	TITLE			
	▽=0	3 PLACES ± 0.10 ± ---	DMARCOUX 06-14-02	MX150 1X6 BLADE SEALED ASSEMBLY MAT SEAL			
	2 PLACES ± 0.3 ± ---	CHECKED BY DATE	molex				
	1 PLACE ± ± ---	DGRIFFTH 06-14-02	SD-33481-061				
	0 PLACE ± ± ---	APPROVED BY DATE	SEE BOM				
		VKOSHY 2010/11/04	1 OF 5				
			THIS DRAWING CONTAINS INFORMATION THAT IS PROPRIETARY TO MOLEX INCORPORATED AND SHOULD NOT BE USED WITHOUT WRITTEN PERMISSION				

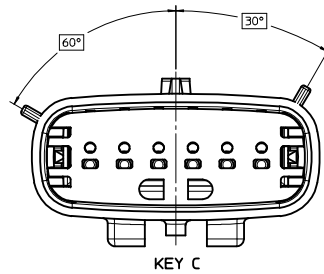
KEY CONFIGURATIONS



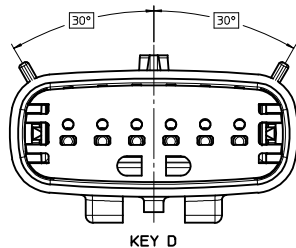
KEY A



KEY B



KEY C

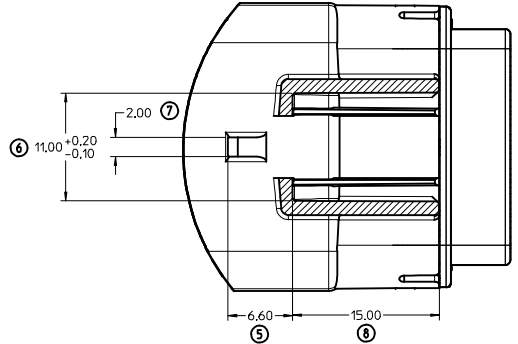
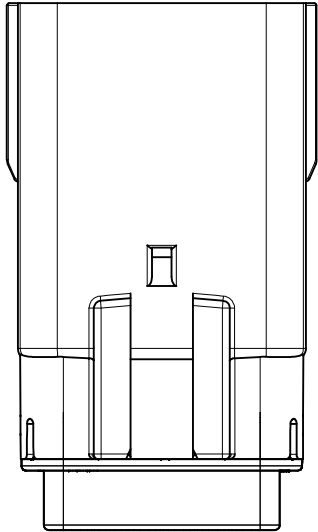
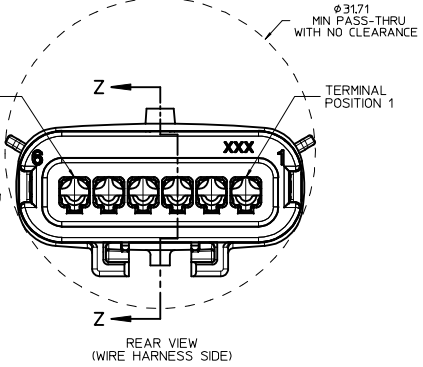
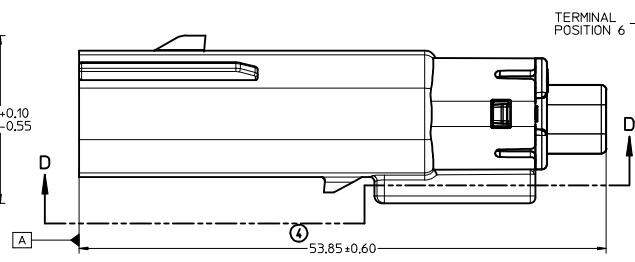
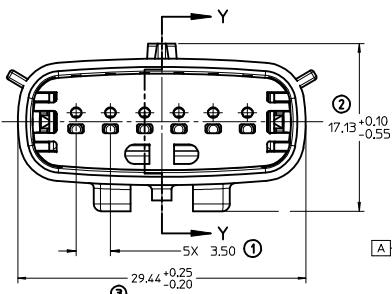
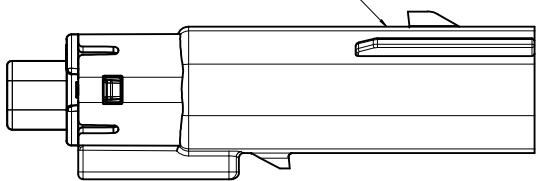


KEY D

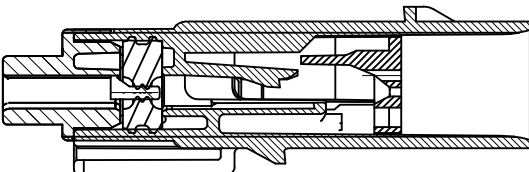
REVISED DEC NO. UAU2018-0293 DRAWN: SONGS 2017/10/14 CHECKED: VANSI ANBROU 2017/10/18 APPR: VANSI ANBROU 2017/10/30 VJ REVISIONS DESCRIPTION	QUALITY SYMBOLS	GENERAL TOLERANCES (UNLESS SPECIFIED)	DIMENSION STYLE	SCALE	DESIGN UNITS	THIRD ANGLE PROJECTION
	▽=0	4 PLACES ± mm ± INCH	MM ONLY	4:1	METRIC	⊕
	▽=0	3 PLACES ± 0.10 ± 0.004				
	▽=0	2 PLACES ± 0.3 ± 0.012				
		ANGULAR ± 3°	DRAWN BY	DATE	TITLE	
		DRAFT WHERE APPLICABLE MUST REMAIN WITHIN DIMENSIONS	DMARCOUX	06-14-02	MX150 1X6 BLADE SEALED ASSEMBLY MAT SEAL	
			CHECKED BY	DATE	molex	
			DGRIFITH	06-14-02	DOCUMENT NO.	
			APPROVED BY	DATE	SD-33481-061	
			VKOSHY	2010/11/04	SHEET NO.	
			MATERIAL NO.	SEE BOM	2 OF 5	
			SIZE	D	THIS DRAWING CONTAINS INFORMATION THAT IS PROPRIETARY TO MOLEX INCORPORATED AND SHOULD NOT BE USED WITHOUT WRITTEN PERMISSION	

BLADE SEALED ASSEMBLY

LASER MARKING THIS SURFACE  
SEE NOTE 3g.

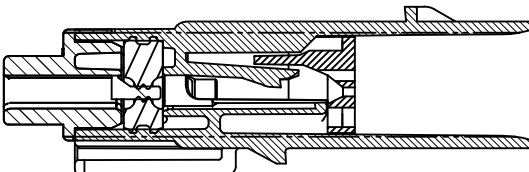


SECTION D-D



PRIMARY LOCK REINFORCEMENT (PLR) SHOWN  
IN PRE-STAGED POSITION

SECTION Z-Z

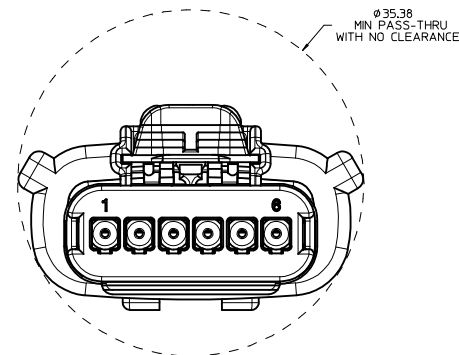
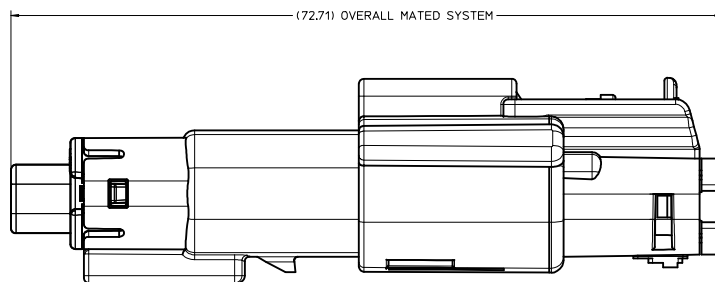


PRIMARY LOCK REINFORCEMENT (PLR) SHOWN  
IN FINAL-LOCK POSITION

SECTION Y-Y

REVISED IEC NO. UAU2018-0293 DRAWN BY 2017/10/14 CHYKCHANSI, ANBROU 2017/10/18 APPR: MYANSI, ANBROU 2017/10/30 VJ REVISIONS DESCRIPTION	QUALITY SYMBOLS	GENERAL TOLERANCES (UNLESS SPECIFIED)	DIMENSION STYLE	SCALE	DESIGN UNITS	THIRD ANGLE PROJECTION
	∇=0 ∇=0 ∇=0	4 PLACES ± mm INCH 3 PLACES ± --- ± --- 2 PLACES ± 0.10 ± --- 1 PLACE ± 0.3 ± --- 0 PLACE ± ±	MM ONLY	4:1	METRIC	DRAWN BY DATE DMARCOUX 06-14-02 CHECKED BY DATE DGRIFFTH 06-14-02 APPROVED BY DATE VKOSHY 2010/11/04
	ANGULAR ± 3 ° DRAFT WHERE APPLICABLE MUST REMAIN WITHIN DIMENSIONS	MATERIAL NO. SEE BOM	DOCUMENT NO. SD-33481-061	SHEET NO. 3 OF 5		
	THIS DRAWING CONTAINS INFORMATION THAT IS PROPRIETARY TO MOLEX INCORPORATED AND SHOULD NOT BE USED WITHOUT WRITTEN PERMISSION					

SYSTEM PACKAGING



REVISED IEC NO. UAU2018-0293 DRAWN: SONGS 2017/10/14 CHECKED: VJANSI/ANBR/2017/10/18 APPR: VJANSI/ANBR/2017/10/30 VJ	QUALITY SYMBOLS	GENERAL TOLERANCES (UNLESS SPECIFIED)	DIMENSION STYLE	SCALE	DESIGN UNITS	THIRD ANGLE PROJECTION
	▽=0	mm INCH	MM ONLY	4:1	METRIC	☉
	▽=0	4 PLACES ± --- ± ---	DRAWN BY DATE	TITLE		
	▽=0	3 PLACES ± --- ± ---	DMARCOUX 06-14-02	MX150 1X6 BLADE SEALED ASSEMBLY MAT SEAL		
	2 PLACES ± 0.10 ± ---	CHECKED BY DATE	MATERIAL NO.			SHEET NO.
	1 PLACE ± 0.3 ± ---	DGRIFITH 06-14-02	SEE BOM			4 OF 5
	0 PLACE ± ±	APPROVED BY DATE	DOCUMENT NO.			
	ANGULAR ± 3 °	VKOSHY 2010/11/04	SD-33481-061			
	DRAFT WHERE APPLICABLE MUST REMAIN WITHIN DIMENSIONS	SIZE D	THIS DRAWING CONTAINS INFORMATION THAT IS PROPRIETARY TO MOLEX INCORPORATED AND SHOULD NOT BE USED WITHOUT WRITTEN PERMISSION			

ASSEMBLY PART NUMBER	COLOR	KEYING OPTION	CAVITY TYPE & STATUS ( X = PLUGGED)						STATUS	COMMENTS
			1	2	3	4	5	6		
33481-0601	BLACK	A						SALEABLE		
33481-0602	LT.GRAY	B								
33481-0603	BROWN	C							NOT RECOMMENDED, SEE P/N 33481-0618	
33481-0604	GREEN	D							NOT RECOMMENDED, SEE P/N 33481-0619	
33481-0605	YELLOW	A						SALEABLE		
33481-0606	BLACK	A					X	SALEABLE		
33481-0607	LT.GRAY	B					X			
33481-0608	BROWN	C					X			
33481-0609	GREEN	D					X			
33481-0610	YELLOW	A					X	SALEABLE		
33481-0611	BLACK	A	X				X	SALEABLE		
33481-0612	LT.GRAY	B	X				X			
33481-0613	BROWN	C	X				X			
33481-0614	GREEN	D	X				X			
33481-0615	YELLOW	A	X				X	SALEABLE		
33481-0616	BLACK	A	X	X	X	X	X	SALEABLE		
33481-0617	BLACK	A					X	SALEABLE		
33481-0618	DK.GRAY	C								
33481-0619	ST.GRAY	D								
33481-0620	BLACK	A			X			SALEABLE		
33481-0621	ST.GRAY	D	X	X	X	X	X	SALEABLE		
33481-0622	ST.GRAY	D	X				X	SALEABLE		
33481-0623	BLACK	A	X		X		X	SALEABLE		
33481-0624	BLACK	A					X	SALEABLE		

ASSEMBLY PART NUMBER	COLOR	KEYING OPTION	CAVITY TYPE & STATUS ( X = PLUGGED)						STATUS	COMMENTS
			1	2	3	4	5	6		
33481-6601	BLACK	A						SALEABLE		
33481-6602	LT.GRAY	B								
33481-6603	BROWN	C							NOT RECOMMENDED, SEE P/N 33481-6618	
33481-6604	GREEN	D							NOT RECOMMENDED, SEE P/N 33481-6619	
33481-6605	YELLOW	A						SALEABLE		
33481-6606	BLACK	A					X	SALEABLE		
33481-6607	LT.GRAY	B					X			
33481-6608	BROWN	C					X			
33481-6609	GREEN	D					X			
33481-6610	YELLOW	A					X	SALEABLE		
33481-6611	BLACK	A	X				X	SALEABLE		
33481-6612	LT.GRAY	B	X				X			
33481-6613	BROWN	C	X				X			
33481-6614	GREEN	D	X				X			
33481-6615	YELLOW	A	X				X	SALEABLE		
33481-6616	BLACK	A	X	X	X	X	X	SALEABLE		
33481-6617	BLACK	A					X	SALEABLE		
33481-6618	DK.GRAY	C								
33481-6619	ST.GRAY	D								
33481-6620	BLACK	A			X			SALEABLE		
33481-6621	ST.GRAY	D	X	X	X	X	X	SALEABLE		
33481-6622	ST.GRAY	D	X				X	SALEABLE		
33481-6623	BLACK	A	X		X		X	SALEABLE		
33481-6624	BLACK	A					X	SALEABLE		

<b>REVISED</b> ELC NO: UAU2018-0293 DRAWN: SONGOS 2017/10/14 CHECKED: ANBROU 2017/10/18 APPR: MWANSI ANBROU 2017/10/30 <b>V3</b>	QUALITY SYMBOLS ∇=0 ∇=0 ∇=0	GENERAL TOLERANCES (UNLESS SPECIFIED) mm INCH 4 PLACES ±--- ±--- 3 PLACES ±--- ±--- 2 PLACES ±0.10 ±--- 1 PLACE ±0.3 ±--- 0 PLACE ± ±		DIMENSION STYLE <b>MM ONLY</b>		SCALE DESIGN UNITS <b>METRIC</b>	THIRD ANGLE PROJECTION
		DRAWN BY: DMARCOUX CHECKED BY: DGRIFITH APPROVED BY: VKOSHY		DATE: 06-14-02 DATE: 06-14-02 DATE: 2010/11/04		TITLE <b>MX150 1X6 BLADE SEALED ASSEMBLY MAT SEAL</b>	
		MATERIAL NO. <b>SEE BOM</b>		DOCUMENT NO. <b>SD-33481-061</b>		SHEET NO. <b>5 OF 5</b>	
		THIS DRAWING CONTAINS INFORMATION THAT IS PROPRIETARY TO MOLEX INCORPORATED AND SHOULD NOT BE USED WITHOUT WRITTEN PERMISSION					