

31771 ✓ ACTIVE

DIAMOND GRIP

TE Internal #: 31771

Ring Terminals & Spade Terminals, Ring Tongue, 12 – 10 AWG

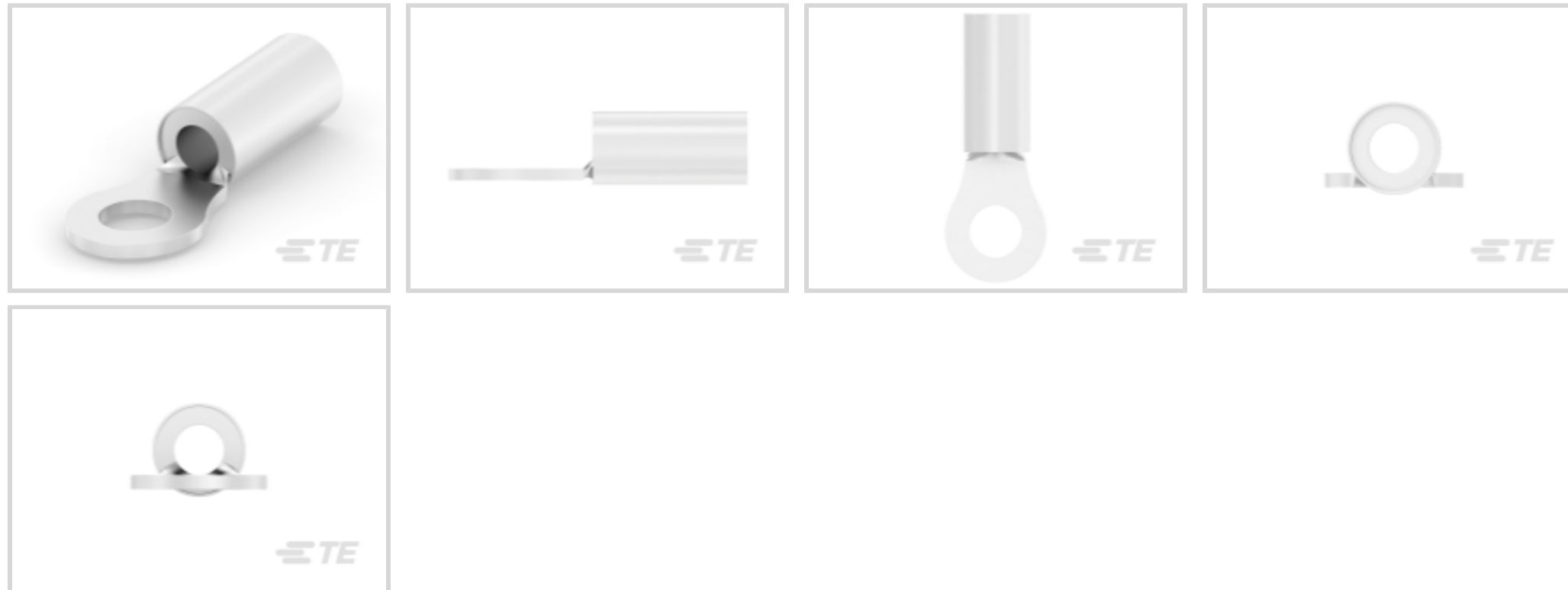
Wire Size, 3 – 6 mm<sup>2</sup> Wire Size, 5180 – 13100 CMA Wire Size, Stud

Size #10

[View on TE.com >](#)



Terminals & Splices > Ring Terminals & Spade Terminals



Ring & Spade Terminal Type: **Ring Tongue**

Wire Size: **5180 – 13100 CMA**

Stud Size: **#10**

### Features

#### Product Type Features

|                                        |                    |
|----------------------------------------|--------------------|
| Shape Description                      | RING-052           |
| Stud Size                              | #10                |
| Sealable                               | No                 |
| Wire Insulation Support Retention Type | Insulation Support |

#### Configuration Features

|                 |       |
|-----------------|-------|
| Number of Holes | 1     |
| Terminal Angle  | 180 ° |

#### Body Features

|                  |         |
|------------------|---------|
| Inspection Slot  | No      |
| Weight per Piece | 2.097 g |

#### Contact Features

|                            |             |
|----------------------------|-------------|
| Ring & Spade Terminal Type | Ring Tongue |
| Barrel Type                | Closed      |
| Terminal Orientation       | Straight    |
| Terminal Plating Material  | Tin         |



### Mechanical Attachment

|                         |      |
|-------------------------|------|
| Wire Insulation Support | With |
|-------------------------|------|

### Dimensions

|                                        |                              |
|----------------------------------------|------------------------------|
| Wire Size                              | 5180 – 13100 CMA             |
| Stud Diameter                          | 4.82 mm[.19 in]              |
| Tongue Thickness                       | 1.07 mm[.042 in]             |
| Overall Product Length                 | 26.19 mm[1.031 in]           |
| Accepts Wire Insulation Diameter (Max) | 5.84 mm[.23 in]              |
| Accepts Wire Insulation Diameter Range | 3.81 – 5.84 mm[.15 – .23 in] |

### Usage Conditions

|                             |                |
|-----------------------------|----------------|
| Insulation Option           | Uninsulated    |
| Operating Temperature Range | 170 °C[338 °F] |

### Operation/Application

|                                       |        |
|---------------------------------------|--------|
| Compatible With Wire Base Material    | Copper |
| Compatible With Wire Plating Material | Tin    |
| Heavy Duty                            | No     |

### Industry Standards

|                      |    |
|----------------------|----|
| Government Qualified | No |
|----------------------|----|

### Packaging Features

|                    |             |
|--------------------|-------------|
| Packaging Quantity | 500         |
| Packaging Method   | Loose Piece |

### Product Compliance

[For compliance documentation, visit the product page on TE.com>](#)

|                                               |                                                                                                                                          |
|-----------------------------------------------|------------------------------------------------------------------------------------------------------------------------------------------|
| EU RoHS Directive 2011/65/EU                  | Compliant                                                                                                                                |
| EU ELV Directive 2000/53/EC                   | Compliant                                                                                                                                |
| China RoHS 2 Directive MIIT Order No 32, 2016 | No Restricted Materials Above Threshold                                                                                                  |
| EU REACH Regulation (EC) No. 1907/2006        | Current ECHA Candidate List: JUNE 2022 (224)<br>Candidate List Declared Against: JAN 2022 (223)<br>SVHC > Threshold:<br>Not Yet Reviewed |
| Halogen Content                               | Low Halogen - Br, Cl, F, I < 900 ppm per                                                                                                 |



homogenous material. Also BFR/CFR/PVC Free

Solder Process Capability

Not applicable for solder process capability

Product Compliance Disclaimer

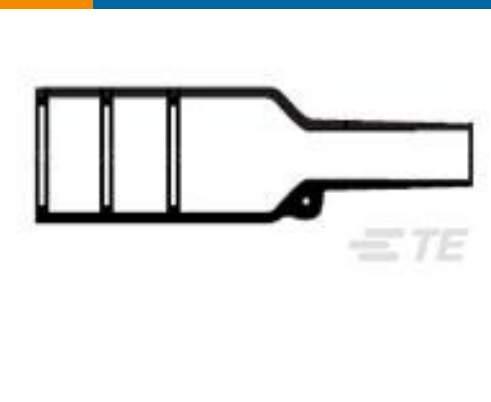
This information is provided based on reasonable inquiry of our suppliers and represents our current actual knowledge based on the information they provided. This information is subject to change. The part numbers that TE has identified as EU RoHS compliant have a maximum concentration of 0.1% by weight in homogenous materials for lead, hexavalent chromium, mercury, PBB, PBDE, DBP, BBP, DEHP, DIBP, and 0.01% for cadmium, or qualify for an exemption to these limits as defined in the Annexes of Directive 2011/65/EU (RoHS2). Finished electrical and electronic equipment products will be CE marked as required by Directive 2011/65/EU. Components may not be CE marked. Additionally, the part numbers that TE has identified as EU ELV compliant have a maximum concentration of 0.1% by weight in homogenous materials for lead, hexavalent chromium, and mercury, and 0.01% for cadmium, or qualify for an exemption to these limits as defined in the Annexes of Directive 2000/53/EC (ELV). Regarding the REACH Regulation, the information TE provides on SVHC in articles for this part number is based on the latest European Chemicals Agency (ECHA) 'Guidance on requirements for substances in articles' posted at this URL: <https://echa.europa.eu/guidance-documents/guidance-on-reach>

### Compatible Parts



TE Part # 59054  
HHHT DIAMOND GRIP 12-10 ASSY

### Customers Also Bought



TE Part #634051-000  
202K121-25/225-0



TE Part #CB7764-000  
RW-200-1/8-0-SP



TE Part #325805-1  
AMPPOWER TERM.300 MCM.1/2,STD.



TE Part #1011-255-0205  
BKSHL, 2P, BLK, PLG,ST,SR,NW6/7.5/8.5/10



TE Part #963205-1  
SEAL



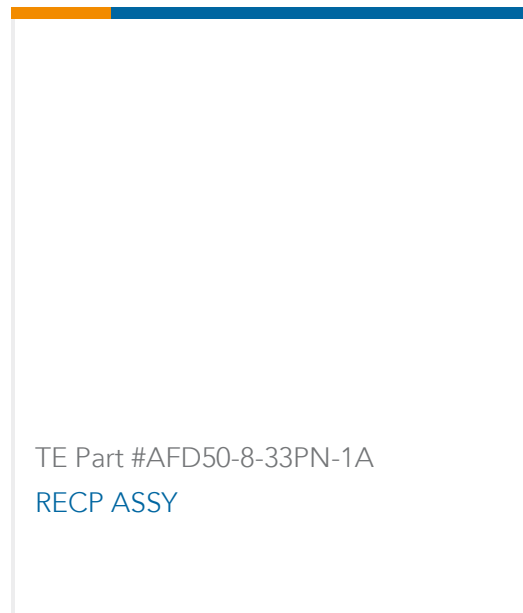
TE Part #31897  
PIDG R 22-16COMM 22-18MIL 3/8



TE Part #195133-000  
S1255-04-3/4X100FT



TE Part #33467  
TERMINAL,SOLIS R 6 3/8



## Documents

### Product Drawings

[TERMINAL,DG R 12-10 10](#)

English

### CAD Files

Customer View Model

[ENG\\_CVM\\_CVM\\_31771\\_D.2d\\_dxf.zip](#)

English

[3D PDF](#)

3D

Customer View Model

[ENG\\_CVM\\_CVM\\_31771\\_D.3d\\_igs.zip](#)

English

Customer View Model

[ENG\\_CVM\\_CVM\\_31771\\_D.3d\\_stp.zip](#)

English

By downloading the CAD file I accept and agree to the [Terms and Conditions](#) of use.

### Product Environmental Compliance

[Product Compliance](#)

English

[Product Compliance](#)

English

### Agency Approvals

[UL Report](#)

English

[UL Report](#)

English