

344271-1 ACTIVE

AMP | Econoseal

TE Internal #: 344271-1

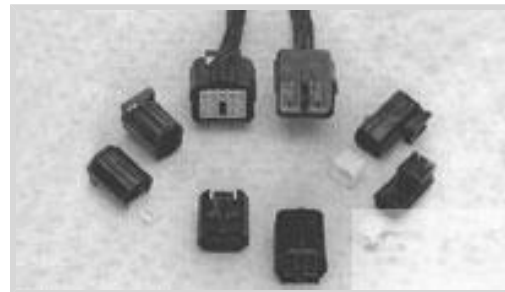
Housing for Male Terminals, Wire-to-Wire, 3 Position, .188 in [4.8 mm] Centerline, Black, Signal, Cable Mount (Free-Hanging),

Econoseal

[View on TE.com >](#)



Connectors > Automotive Connectors > Connector Housings > ECONOSEAL, CONNECTOR HOUSING



Connector & Housing Type: **Housing for Male Terminals**

Connector System: **Wire-to-Wire**

Number of Positions: **3**

Centerline (Pitch): **4.8 mm [.188 in]**

Sealable: **No**

[All ECONOSEAL, CONNECTOR HOUSING \(90\)](#)

Features

Product Type Features

| | |
|---------------------------|----------------------------|
| Connector & Housing Shape | Rectangular |
| Connector & Housing Type | Housing for Male Terminals |
| Connector System | Wire-to-Wire |
| Sealable | No |
| Hybrid Connector | No |
| Primary Locking Feature | Integrated in Housing |

Configuration Features

| | |
|---------------------|---|
| Number of Positions | 3 |
| Number of Rows | 1 |

Body Features

| | |
|-----------------------|-------|
| Cable Exit Angle | 180° |
| Body Material | PA |
| Primary Product Color | Black |

Contact Features

| | |
|--------------|-------|
| Contact Size | 1.8mm |
|--------------|-------|

Mechanical Attachment



| | |
|-----------------------------|----------------------------|
| Mounting Feature | Without |
| Terminal Position Assurance | No |
| Strain Relief | Without |
| Mating Alignment Type | Polarized |
| Mating Alignment | With |
| Connector Mounting Type | Cable Mount (Free-Hanging) |

Housing Features

| | |
|--------------------|------------------|
| Centerline (Pitch) | 4.8 mm [.188 in] |
|--------------------|------------------|

Dimensions

| | |
|----------------|--------------------|
| Product Width | 33.35 mm [1.31 in] |
| Product Length | 20.1 mm [.791 in] |
| Product Height | 19.8 mm [.779 in] |

Operation/Application

| | |
|---------------------|--------|
| Circuit Application | Signal |
|---------------------|--------|

Packaging Features

| | |
|--------------------|---------|
| Packaging Quantity | 1200 |
| Packaging Method | Package |

Other

| | |
|--------------------------------------|----|
| Serviceable | No |
| Connector Position Assurance Capable | No |

Product Compliance

[For compliance documentation, visit the product page on TE.com>](#)

| | |
|---|---|
| EU RoHS Directive 2011/65/EU | Compliant |
| EU ELV Directive 2000/53/EC | Compliant |
| China RoHS 2 Directive MIIT Order No 32, 2016 | No Restricted Materials Above Threshold |
| EU REACH Regulation (EC) No. 1907/2006 | Current ECHA Candidate List: JUNE 2022 (224) Candidate List Declared Against: JUNE 2022 (224) Does not contain REACH SVHC |
| Halogen Content | Low Halogen - Br, Cl, F, I < 900 ppm per homogenous material. Also BFR/CFR/PVC Free |

Solder Process Capability

Not applicable for solder process capability

Product Compliance Disclaimer

This information is provided based on reasonable inquiry of our suppliers and represents our current actual knowledge based on the information they provided. This information is subject to change. The part numbers that TE has identified as EU RoHS compliant have a maximum concentration of 0.1% by weight in homogenous materials for lead, hexavalent chromium, mercury, PBB, PBDE, DBP, BBP, DEHP, DIBP, and 0.01% for cadmium, or qualify for an exemption to these limits as defined in the Annexes of Directive 2011/65/EU (RoHS2). Finished electrical and electronic equipment products will be CE marked as required by Directive 2011/65/EU. Components may not be CE marked. Additionally, the part numbers that TE has identified as EU ELV compliant have a maximum concentration of 0.1% by weight in homogenous materials for lead, hexavalent chromium, and mercury, and 0.01% for cadmium, or qualify for an exemption to these limits as defined in the Annexes of Directive 2000/53/EC (ELV). Regarding the REACH Regulation, the information TE provides on SVHC in articles for this part number is based on the latest European Chemicals Agency (ECHA) 'Guidance on requirements for substances in articles' posted at this URL: <https://echa.europa.eu/guidance-documents/guidance-on-reach>

Compatible Parts



TE Part # CAT-EC7491-T273
Econoseal Receptacles and Tabs




TE Part # 1-344273-1
3 WAY REC. HSG. NBR. SEALECONO

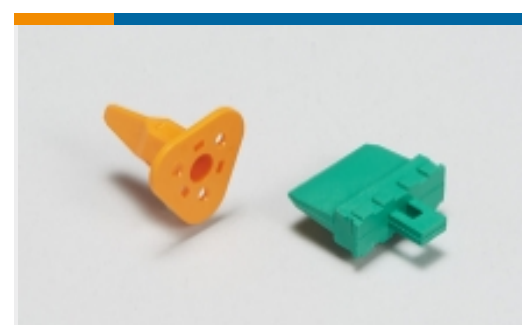


TE Part # 344273-1
3 WAY REC. HSG. SIL. SEALECONO


Also in the Series | Econoseal




Automotive Connector Caps & Covers (1)




Automotive Connector Locks & Position Assurance(25)




Automotive Housings(62)




Automotive Seals & Cavity Plugs(17)



Automotive Terminals(47)



Insertion & Extraction Tools(7)



Other Automotive Connector Accessories(5)

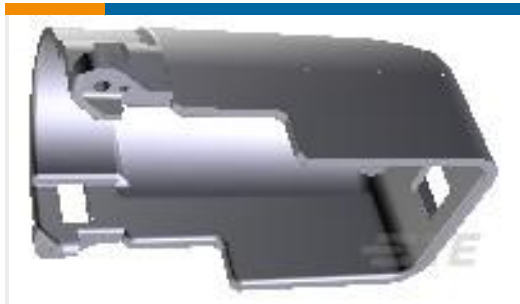


PCB Headers & Receptacles(4)



Primary Wire(1)

Customers Also Bought



TE Part #9-1394049-1
COVER F.15P REC-HSG



TE Part #1623929-1
CFR200 5% 100K



TE Part #8-1625892-0
3W SM M/OX 5% 1R2



TE Part #344270-1
4 WAY REC.HSG. SIL. SEAL ECONO



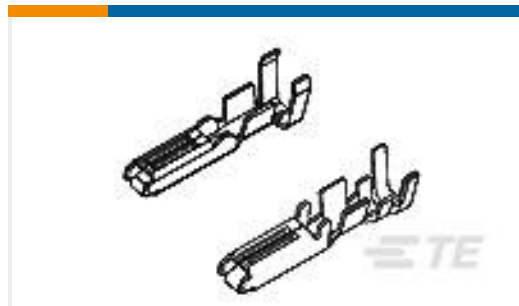
TE Part #347874-1
CABLE SEAL LC SILICON 0.5 T



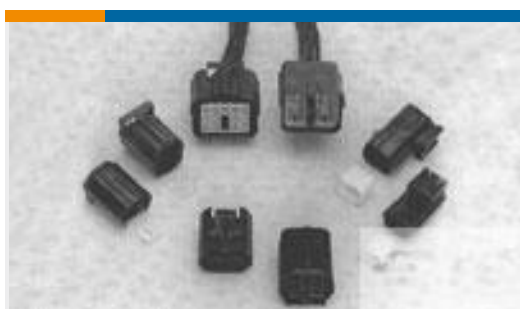
TE Part #345260-1
ANTI-BACKOUT 6WAY REC
HSGECONO



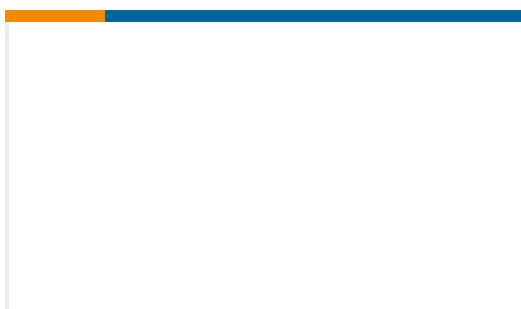
TE Part #344267-1
6 WAY REC. HSG. SIL. SEALECONO



TE Part #345208-1
070 SERIES RECEPT.



TE Part #345255-1
ANTI-BACKOUT 3WAY TAB
HSGECONO



TE Part #345256-1
ANTI-BACKOUT 3WAY REC
HSGECONO

Documents

Product Drawings

[3 WAY TAB HOUSING BLACK ECONO](#)

English

CAD Files

[Customer View Model](#)

[ENG_CVM_344271-1_D.3d_igs.zip](#)

English

[Customer View Model](#)



[ENG_CVM_344271-1_D.3d_stp.zip](#)

English

Customer View Model

[ENG_CVM_344271-1_D.2d_dxf.zip](#)

English

3D PDF

English

By downloading the CAD file I accept and agree to the [Terms and Conditions](#) of use.

Datasheets & Catalog Pages

Econoseal Connector Series

English