

34136 ✓ ACTIVE

PLASTI-GRIP

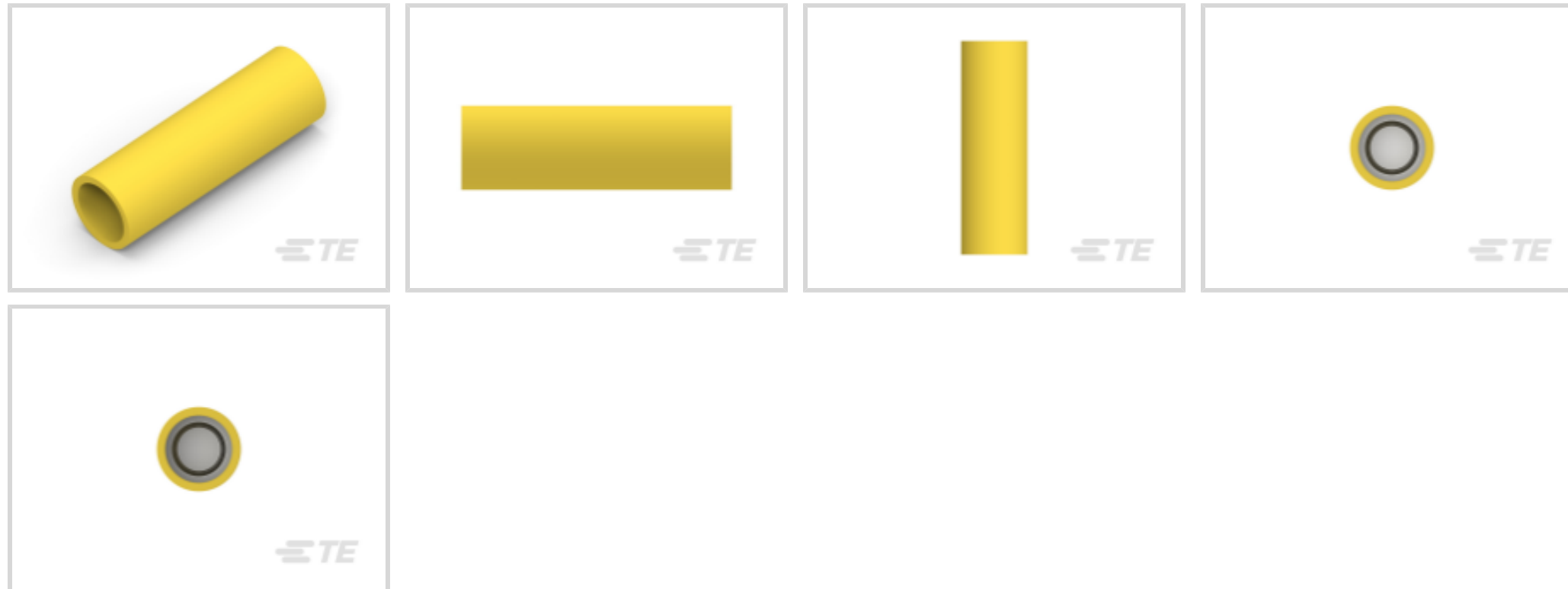
TE Internal #: 34136

Splices, 12 – 10 AWG Wire Size, 3 – 6 mm<sup>2</sup> Wire Size, Standard, 5180 – 13100 CMA Wire Size, Copper, Yellow, Parallel Splice Splice, PLASTI-GRIP

[View on TE.com >](#)



Terminals & Splices > Splices



Wire Size: 3 – 6 mm<sup>2</sup>

Sealable: No

Splice Features: **Standard**

Accepts Wire Insulation Diameter Range: 5.84 mm [ .23 in ]

### Features

#### Product Type Features

Splice Accessory Type	Splice
Sealable	No
Splice Type	Parallel Splice
Serrated	Yes
Compatible With Discrete Wire Type	Solid, Stranded
Wire Insulation Support Retention Type	Insulation Support

#### Configuration Features

Compatible With Wire & Cable Type	Discrete Wire
-----------------------------------	---------------

#### Body Features

Insulation Sleeve Material	Vinyl
Weight per Piece	.43 g
Plating Material	Tin
Splice Features	Standard
Primary Product Material	Copper
Primary Product Color	Yellow

### Contact Features

Contact Plating Material	Tin
Barrel Type	Closed

### Mechanical Attachment

Wire Insulation Support	With
-------------------------	------

### Dimensions

Wire Size	5180 – 13100 CMA
Accepts Wire Insulation Diameter Range	5.84 mm[.23 in]
Overall Product Length	22.1 mm[.87 in]

### Usage Conditions

Insulation Option	Fully Insulated
Operating Temperature Range	90 °C[221 °F]

### Operation/Application

Heavy Duty	No
Compatible With Wire Base Material	Copper

### Industry Standards

Government Qualified Splice	No
-----------------------------	----

### Packaging Features

Packaging Quantity	500
Packaging Method	Loose Piece

### Other

Military Category	No
-------------------	----

### Product Compliance

[For compliance documentation, visit the product page on TE.com>](#)

EU RoHS Directive 2011/65/EU	Compliant
EU ELV Directive 2000/53/EC	Compliant
China RoHS 2 Directive MIIT Order No 32, 2016	No Restricted Materials Above Threshold
EU REACH Regulation (EC) No. 1907/2006	Current ECHA Candidate List: JUNE 2022 (224) Candidate List Declared Against: JUL 2021 (219) SVHC > Threshold:



Not Yet Reviewed

Halogen Content

Not Low Halogen - contains Br or Cl > 900 ppm.

Solder Process Capability

Not applicable for solder process capability

Product Compliance Disclaimer

This information is provided based on reasonable inquiry of our suppliers and represents our current actual knowledge based on the information they provided. This information is subject to change. The part numbers that TE has identified as EU RoHS compliant have a maximum concentration of 0.1% by weight in homogenous materials for lead, hexavalent chromium, mercury, PBB, PBDE, DBP, BBP, DEHP, DIBP, and 0.01% for cadmium, or qualify for an exemption to these limits as defined in the Annexes of Directive 2011/65/EU (RoHS2). Finished electrical and electronic equipment products will be CE marked as required by Directive 2011/65/EU. Components may not be CE marked. Additionally, the part numbers that TE has identified as EU ELV compliant have a maximum concentration of 0.1% by weight in homogenous materials for lead, hexavalent chromium, and mercury, and 0.01% for cadmium, or qualify for an exemption to these limits as defined in the Annexes of Directive 2000/53/EC (ELV). Regarding the REACH Regulation, the information TE provides on SVHC in articles for this part number is based on the latest European Chemicals Agency (ECHA) 'Guidance on requirements for substances in articles' posted at this URL: <https://echa.europa.eu/guidance-documents/guidance-on-reach>

### Compatible Parts




TE Part # 5-1377173-7  
SMP 0-0034136-0



TE Part # 59270  
HHHT PG PARALLEL 12-10 ASSY


### Also in the Series | PLASTI-GRIP




Compression Connectors(3)



Crimp Wire Pins, Tabs & Ferrules(25)



Ring Terminals & Spade Terminals(537)



Special Purpose Terminals(1)



Splices(49)

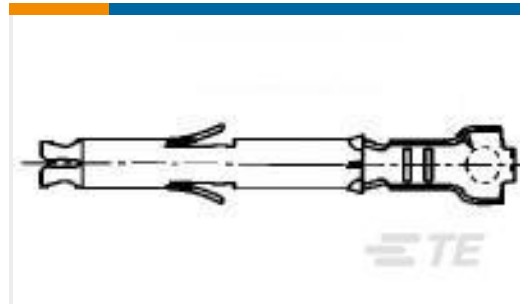
## Customers Also Bought



TE Part #33458  
TERMINAL,SOLIS R 12-10 1/4



TE Part #320575  
TERMINAL,PIDG R 16-14 5/16



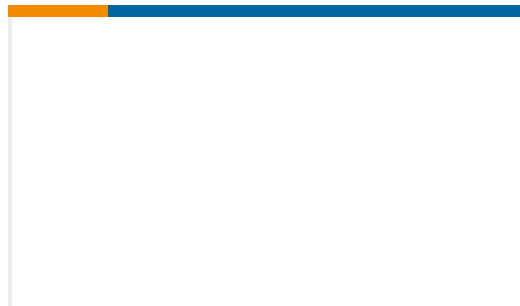
TE Part #170366-3  
MINI UNIVERSAL M-N-L SOCKET LP



TE Part #1SNA115120R1700  
M10/10



TE Part #1SNK900001R0000  
BAM4



TE Part #1SNA115143R1200  
M70/31.FF



TE Part #1SNA176667R0400  
BJMI6-10

## Documents

### Product Drawings

[SPLICE,PG PARA 12-10](#)

English

### CAD Files

[3D PDF](#)

3D

Customer View Model

[ENG\\_CVM\\_CVM\\_34136\\_H.2d\\_dxf.zip](#)

English

Customer View Model

[ENG\\_CVM\\_CVM\\_34136\\_H.3d\\_igs.zip](#)

English

Customer View Model

[ENG\\_CVM\\_CVM\\_34136\\_H.3d\\_stp.zip](#)

English

By downloading the CAD file I accept and agree to the [Terms and Conditions](#) of use.



---

**Product Specifications**

**Application Specification**

English

---

**Product Environmental Compliance**

**Product Compliance**

English

**Product Compliance**

English

---

**Instruction Sheets**

**Instruction Sheet (U.S.)**

English

---

**Agency Approvals**

**UL Report**

English

**UL Report**

English