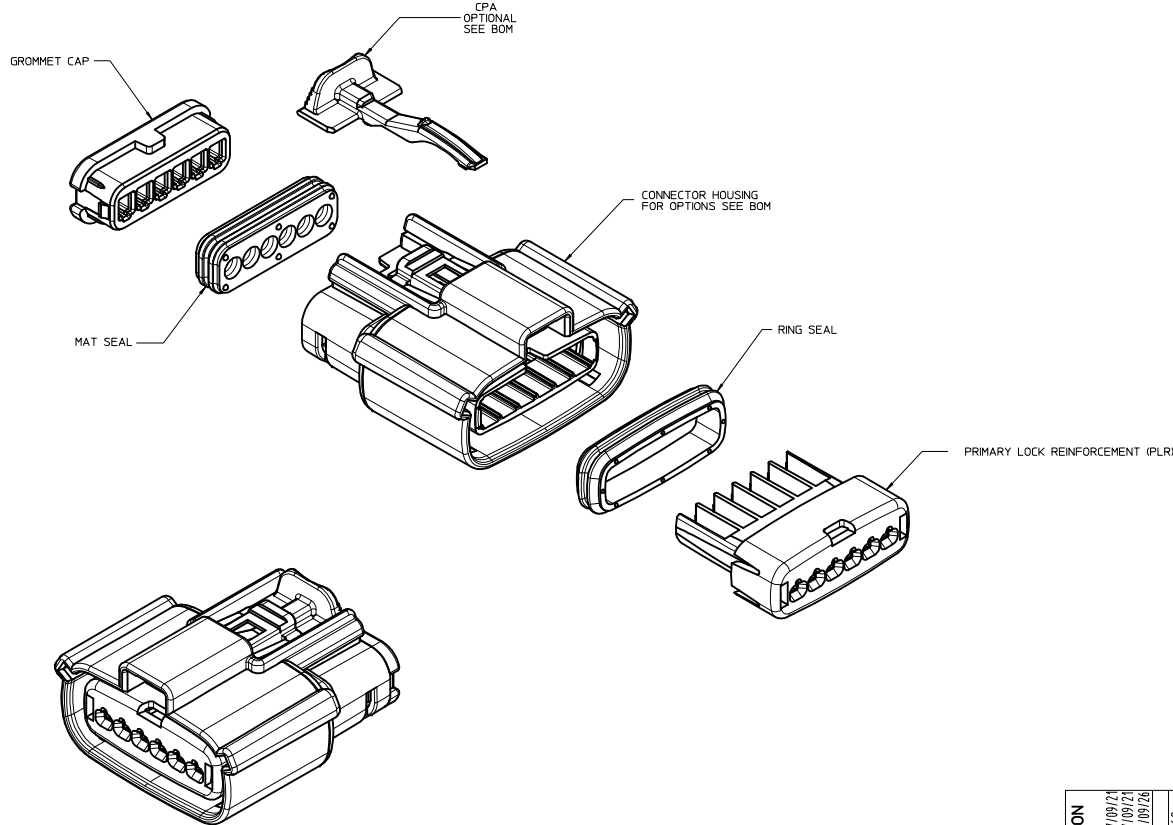


TABLE OF CONTENTS	
SHEET NO.	SHEET DESCRIPTION
1	NOTES
2	KEY CONFIGURATIONS
3	RECEPTACLE SEALED ASSEMBLY
4	BOM SHEET 1
5	BOM SHEET 2



NOTES: VALID UNLESS OTHERWISE SPECIFIED

1. GENERAL:
- a. APPLICATION SPECIFICATION SEE: AS-33472-100
 -CONTAINS: PRODUCT INTRODUCTION, PRODUCT SUMMARY, CONNECTOR ASSEMBLY, PACKAGING INFORMATION, CONNECTOR MATING, SERVICE INSTRUCTIONS, ELECTRICAL CONTINUITY CHECKING, CRIMPING, AND TROUBLESHOOTING.
 -DESIGNED TO MATE WITH DEVICE CONNECTION AS SPECIFIED IN DRAWING EWCAP 150-S-006-1-Z03, AVAILABLE AT <http://ewcap.uscorteams.org/>
 -DESIGNED TO MATE WITH BLADE SEALED ASSEMBLY AS SPECIFIED IN DRAWING SD-33481-061
 -FOR 15mm RECEPTACLE TERMINALS TO BE USED WITH THIS ASSEMBLY. SEE MOLEX DRAWING SD-33012-002.
 -SYSTEM TO BE USED WITH WIRE WITHIN DIAMETER RANGE OF 1.2 mm TO 2.69 mm.
 -ASSEMBLY SHIPPED WITH PLR AND CPA IN PRE-LOCK POSITION (SEE SECTION 2-2 PRE-LOCK).
 -IN THE EVENT THAT THE PLR IS FOUND IN THE SEATED (FINAL LOCK) POSITION, REFER TO MOLEX SPECIFICATION PS-34646-001, AVAILABLE AT www.molex.com <http://www.molex.com>.
 -ASSEMBLY CONFORMS TO SAE/J59CAR-2 REV.4 WITH THE FOLLOWING EXCEPTIONS:
 ENGAGEMENT FORCE TO MOVE CPA FROM PRE-LOCK TO FINAL LOCK POSITION WHEN UNMATED: 40N MIN.
 DISENGAGEMENT FORCE TO MOVE CPA FROM FINAL LOCK TO PRE-LOCK POSITION: 3N MIN. 40N MAX
 TERMINAL INSERTION FORCE FOR WIRE DIAMETER ABOVE 2.5mm NOT EXCEEDING 2.69mm SHALL NOT EXCEED 40 NEWTONS.
 - b. PRODUCT SPECIFICATION SEE: PS-33471-000
 CONTAINS: PRODUCT INTRODUCTION, PRODUCT SUMMARY, AND PRODUCT VALIDATION.
 - c. PACKAGING SPECIFICATION PER MOLEX DRAWING: PK-31300-903
 - d. PARTS MUST BE IN COMPLIANCE TO MOLEX CHEMICAL SUBSTANCES FOR PRODUCTS AND PACKAGING SPECIFICATION: ES-40000-5016
 - e. DATA MUST BE SUBMITTED UNDER THE MOLEX PART NUMBER TO IMDS (COMPANY ID=19255)
2. DESIGN - MATERIALS:
- a. CONNECTOR HOUSING, GROMMET CAP, PLR: SPS/NYLON BLEND 20% GLASS FILLED
 - b. CPA: PBT 20% GLASS FILLED
 - c. MAT SEAL AND RING SEAL: INHERENTLY LUBRICATED SILICONE
3. DESIGN - GEOMETRY:
- a. THIS IS A 100% CAD GENERATED PART. THE CAD MATHEMATICAL DATA IS THE MASTER FOR THIS PART. FOR DIMENSIONAL OR ANY INFORMATION NOT SHOWN ON THIS DRAWING, ANALYZE THE CAD MODEL.
 - b. GEOMETRIC DIMENSIONS AND TOLERANCES PER ASME Y14.5M - 1994.
 - c. EDGES AND UNDIMENSIONED DETAILS PER ISO13715
 - d. CORNERS SHOWN AS SHARP TO BE R 0.2 MAX.
 - e. LETTERING SHALL BE 0.15 MAX RAISED IN 0.25 MAX RECESS PAD. THIS INCLUDES RECYCLING CODE, CAVITY ID, VENDOR IDENTIFICATION, AND CUSTOMER MATERIAL NUMBER.
 - f. VISUAL DEFECTS SHALL MEET COSMETIC STANDARD PS-45499-002 (Class B)
 - g. LASER MARKING: TBD

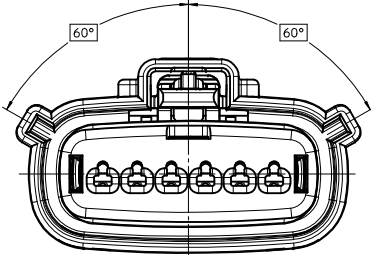
T1	ADDED BOM SHEET 2
T	ADDED NEW P/N 33471-0677
S9	ADDED NEW P/N 33471-0676
S8	ADDED NEW P/N 33471-0675
S7	ADDED NEW P/N 33471-0674
S6	UPDATED VIEWS
S5	UPDATED VIEWS
S4	ADDED NEW P/N 33471-0673
S3	CHANGE PART NUMBER STATUS ADDED NEW P/N 33471-0659 33471-0660 33471-0661 33471-0662 33471-0663 33471-0664 33471-0665 33471-0666 33471-0667 33471-0668 33471-0669 33471-0670 33471-0671 33471-0672
S2	ADDED NEW P/N 33471-0658
S1	UPDATED CONFIGURATIONS SHEET 3
S	REDRAWN
REV	DESCRIPTION

INSPECTION NUMBER LOG
 LAST NUMBER USED: 5
 ADDED:
 REMOVED:

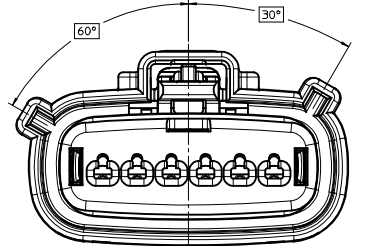
ENTER DESCRIPTION IEC NO: UAU2018-0229 DRAWN: SONG05 2017/09/21 CHECKED: WANGSLANBR012017/09/21 APPR: WANGSLANBR012017/09/26 REV: 1	QUALITY SYMBOLS	GENERAL TOLERANCES (UNLESS SPECIFIED)	DIMENSION STYLE	SCALE	DESIGN UNITS	THIRD ANGLE PROJECTION
	▽=0	4 PLACES ± --- ± ---	MM ONLY	3:1	METRIC	☉
	▽=0	3 PLACES ± --- ± ---				
	▽=0	2 PLACES ± 0.10 ± ---				
		1 PLACE ± 0.3 ± ---				
		0 PLACE ± ±				
		ANGULAR ± 3 °				
		DRAFT WHERE APPLICABLE MUST REMAIN WITHIN DIMENSIONS				
			MATERIAL NO.	DOCUMENT NO.		
			SEE BOM	SD-33471-061		
			SIZE D			
			THIS DRAWING CONTAINS INFORMATION THAT IS PROPRIETARY TO MOLEX INCORPORATED AND SHOULD NOT BE USED WITHOUT WRITTEN PERMISSION			

TITLE
MX150 1X6 RECEPTACLE SEALED ASSEMBLY MAT SEAL
molex

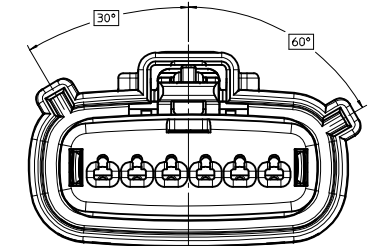
KEY CONFIGURATIONS



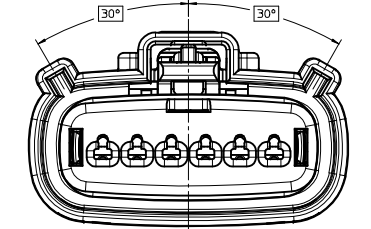
KEY A



KEY B



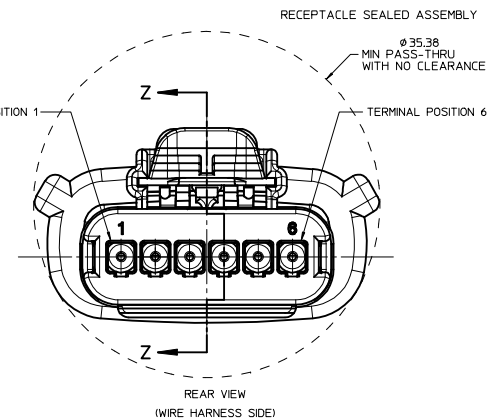
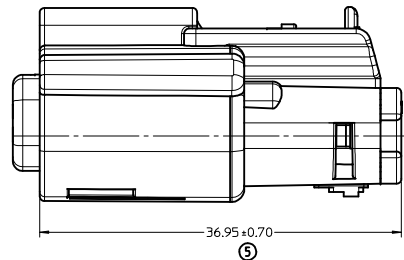
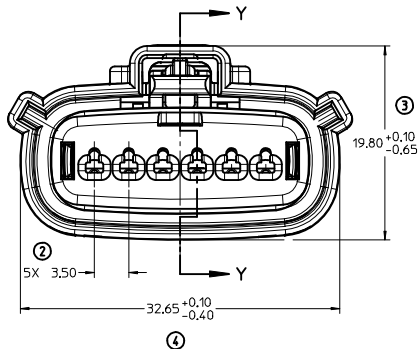
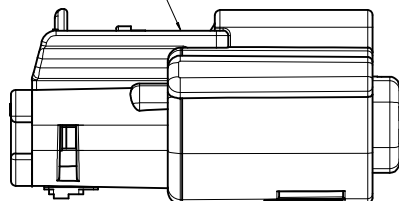
KEY C



KEY D

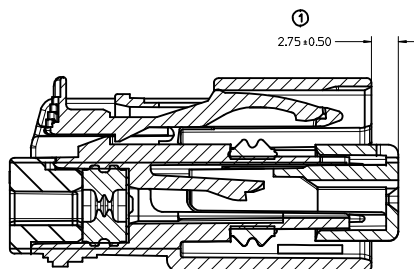
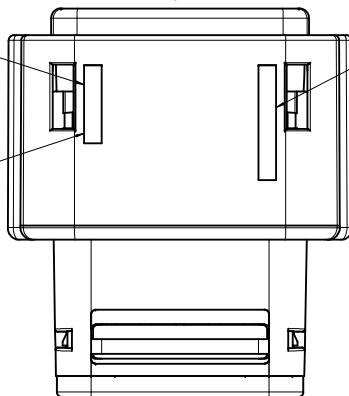
ENTER DESCRIPTION IEC NO. UAU2018-0229 DRAWN: SONGS 2017/09/21 CHECKED: VANSI, ANBROU 2017/09/21 APPR: VANSI, ANBROU 2017/09/26	QUALITY SYMBOLS ∇=0 ∇=0 ∇=0	GENERAL TOLERANCES (UNLESS SPECIFIED)		DIMENSION STYLE MM ONLY	SCALE 4:1	DESIGN UNITS METRIC	THIRD ANGLE PROJECTION
		4 PLACES ± mm ± INCH	DRAWN BY DGRIFITHS	DATE 06-03-03	TITLE MX150 1X6 RECEPTACLE SEALED ASSEMBLY MAT SEAL		
		3 PLACES ± 0.10 ± ---	CHECKED BY DGRIFITHS	DATE 06-03-03	MATERIAL NO. SEE BOM		
		2 PLACES ± 0.3 ± ---	APPROVED BY DGRIFITHS	DATE 06-03-03	DOCUMENT NO. SD-33471-061	SHEET NO. 2 OF 5	
1 PLACE ± --- ± ---	ANGULAR ± 3 °		THIS DRAWING CONTAINS INFORMATION THAT IS PROPRIETARY TO MOLEX INCORPORATED AND SHOULD NOT BE USED WITHOUT WRITTEN PERMISSION				
0 PLACE ± --- ± ---	DRAFT WHERE APPLICABLE MUST REMAIN WITHIN DIMENSIONS						

LASER MARKING THIS SURFACE
SEE NOTE 3g.



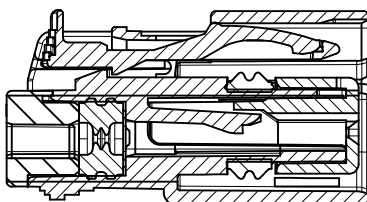
MOLD CAVITY CODE RECYCLE CODE

LOCATION CODE



PRIMARY LOCK REINFORCEMENT (PLR) SHOWN
IN PRE-STAGED POSITION

SECTION Z-Z



PRIMARY LOCK REINFORCEMENT (PLR) SHOWN
IN FINAL-LOCK POSITION

SECTION Y-Y

ENTER DESCRIPTION IEC NO. UAU2018-0229 DRAWN: SONGS 2017/09/21 CHECK: WANSI, ANBROU 2017/09/21 APPR: WANSI, ANBROU 2017/09/26	QUALITY SYMBOLS	GENERAL TOLERANCES (UNLESS SPECIFIED)	DIMENSION STYLE	SCALE	DESIGN UNITS	THIRD ANGLE PROJECTION
	▽=0	mm INCH	MM ONLY	4:1	METRIC	☉
	▽=0	4 PLACES ± --- ± ---	DRAWN BY DATE			
	▽=0	3 PLACES ± --- ± ---	DGRIFITHS 06-03-03			
		2 PLACES ± 0.10 ± ---	CHECKED BY DATE			
		1 PLACE ± 0.3 ± ---	DGRIFITHS 06-03-03			
		0 PLACE ± ±	APPROVED BY DATE			
		ANGULAR ± 3 °	DGRIFITHS 06-03-03			
		DRAFT WHERE APPLICABLE MUST REMAIN WITHIN DIMENSIONS	MATERIAL NO.	SEE BOM	DOCUMENT NO.	
			SIZE	D		
			THIS DRAWING CONTAINS INFORMATION THAT IS PROPRIETARY TO MOLEX INCORPORATED AND SHOULD NOT BE USED WITHOUT WRITTEN PERMISSION			
			TITLE		MX150 1X6 RECEPTACLE SEALED ASSEMBLY MAT SEAL	
			SHEET NO.		3 OF 5	

ASSEMBLY PART NUMBER	COLOR	KEYING OPTION	CAVITY TYPE & STATUS (X = PLUGGED)						CPA	STATUS	COMMENTS
			1	2	3	4	5	6			
33471-0601	BLACK	A							-	SALEABLE	
33471-0602	LT. GRAY	B							-		
33471-0603	BROWN	C							-	NOT RECOMMENDED	SEE P/N 33471-0659
33471-0604	GREEN	D							-	NOT RECOMMENDED	SEE P/N 33471-0660
33471-0605	YELLOW	A							-	SALEABLE	
33471-0606	BLACK	A							YES	SALEABLE	
33471-0607	LT. GRAY	B							YES		
33471-0608	BROWN	C							YES	NOT RECOMMENDED	SEE P/N 33471-0661
33471-0609	GREEN	D							YES	NOT RECOMMENDED	SEE P/N 33471-0662
33471-0610	YELLOW	A							YES	SALEABLE	
33471-0611	BLACK	A						X	-	SALEABLE	
33471-0612	LT. GRAY	B						X	-		
33471-0613	BROWN	C						X	-	NOT RECOMMENDED	SEE P/N 33471-0663
33471-0614	GREEN	D						X	-	NOT RECOMMENDED	SEE P/N 33471-0664
33471-0615	YELLOW	A						X	-	SALEABLE	
33471-0616	BLACK	A						X	YES	SALEABLE	
33471-0617	LT. GRAY	B						X	YES		
33471-0618	BROWN	C						X	YES	NOT RECOMMENDED	SEE P/N 33471-0665
33471-0619	GREEN	D						X	YES	NOT RECOMMENDED	SEE P/N 33471-0666
33471-0620	YELLOW	A						X	YES	SALEABLE	
33471-0621	BLACK	A	X					X	-	SALEABLE	
33471-0622	LT. GRAY	B	X					X	-		
33471-0623	BROWN	C	X					X	-	NOT RECOMMENDED	SEE P/N 33471-0667
33471-0624	GREEN	D	X					X	-	NOT RECOMMENDED	SEE P/N 33471-0668
33471-0625	YELLOW	A	X					X	-	SALEABLE	
33471-0626	BLACK	A	X					X	YES	SALEABLE	
33471-0627	LT. GRAY	B	X					X	YES		
33471-0628	BROWN	C	X					X	YES	NOT RECOMMENDED	SEE P/N 33471-0669
33471-0629	GREEN	D	X					X	YES	NOT RECOMMENDED	SEE P/N 33471-0670
33471-0630	YELLOW	A	X					X	YES	SALEABLE	
33471-0631	BLACK	A	X	X	X	X	X	X	-	SALEABLE	
33471-0632	LT. GRAY	B	X	X	X	X	X	X	-		
33471-0633	BROWN	C	X	X	X	X	X	X	-	NOT RECOMMENDED	SEE P/N 33471-0671
33471-0634	GREEN	D	X	X	X	X	X	X	-	NOT RECOMMENDED	SEE P/N 33471-0672
33471-0635	YELLOW	A	X	X	X	X	X	X	-	SALEABLE	
33471-0650	BLACK	A						X	X	-	SALEABLE
33471-0651	BLACK	A	X	X	X	X	X	X	YES	SALEABLE	
33471-0652	BLACK	A						X	YES	SALEABLE	
33471-0653	BLACK	A			X				YES	SALEABLE	
33471-0654	BLACK	A			X				-	SALEABLE	
33471-0655	BLACK	A			X	X	X		-	SALEABLE	
33471-0656	BLACK	A						X	-	SALEABLE	
33471-0657	BLACK	A						X	-	SALEABLE	
33471-0658	BLACK	A	X	X	X	X			-	SALEABLE	
33471-0659	DK GRAY	C							-	SALEABLE	
33471-0660	ST GRAY	D							-	SALEABLE	
33471-0661	DK GRAY	C							YES	SALEABLE	
33471-0662	ST GRAY	D							YES	SALEABLE	
33471-0663	DK GRAY	C						X	-	SALEABLE	
33471-0664	ST GRAY	D						X	-	SALEABLE	
33471-0665	DK GRAY	C						X	YES	SALEABLE	
33471-0666	ST GRAY	D						X	YES	SALEABLE	
33471-0667	DK GRAY	C	X					X	-	SALEABLE	
33471-0668	ST GRAY	D	X					X	-	SALEABLE	
33471-0669	DK GRAY	C	X					X	YES	SALEABLE	
33471-0670	ST GRAY	D	X					X	YES	SALEABLE	
33471-0671	DK GRAY	C	X	X	X	X	X	X	-	SALEABLE	
33471-0672	ST GRAY	D	X	X	X	X	X	X	-	SALEABLE	
33471-0673	BLACK	A			X				-	SALEABLE	
33471-0674	BLACK	A			X				-	SALEABLE	
33471-0675	BLACK	A	X	X	X	X			YES	SALEABLE	
33471-0676	BLACK	A	X						-	SALEABLE	
33471-0677	BLACK	A		X	X	X			-	SALEABLE	

ENTER DESCRIPTION IEC NO. UAU2018-0229 DRAWN: SONGS 2017/09/21 CHECKED: VANSI, ANBROU 2017/09/21 APPROVED: VANSI, ANBROU 2017/09/26 REV: 1	QUALITY SYMBOLS ∇=0 ∇=0 ∇=0	GENERAL TOLERANCES (UNLESS SPECIFIED) mm INCH		DIMENSION STYLE MM ONLY		SCALE	DESIGN UNITS	THIRD ANGLE PROJECTION	
		4 PLACES ± --- ± --- 3 PLACES ± 0.10 ± --- 2 PLACES ± 0.3 ± --- 1 PLACE ± ± 0 PLACE ± ±		DRAWN BY DATE DGR1FF1THS 06-03-03 CHECKED BY DATE DGR1FF1THS 06-03-03 APPROVED BY DATE DGR1FF1THS 06-03-03		TITLE MX150 1X6 RECEPTACLE SEALED ASSEMBLY MAT SEAL			
		ANGULAR ± 3 ° DRAFT WHERE APPLICABLE MUST REMAIN WITHIN DIMENSIONS		MATERIAL NO. SEE BOM		DOCUMENT NO. SD-33471-061		SHEET NO. 4 OF 5	
		THIS DRAWING CONTAINS INFORMATION THAT IS PROPRIETARY TO MOLEX INCORPORATED AND SHOULD NOT BE USED WITHOUT WRITTEN PERMISSION							

ASSEMBLY PART NUMBER	COLOR	KEYING OPTION	CAVITY TYPE & STATUS (X = PLUGGED)						CPA	STATUS	COMMENTS
			1	2	3	4	5	6			
33471-6601	BLACK	A							-	SALEABLE	
33471-6602	LT. GRAY	B							-		
33471-6603	BROWN	C							-	NOT RECOMMENDED	SEE P/N 33471-6659
33471-6604	GREEN	D							-	NOT RECOMMENDED	SEE P/N 33471-6660
33471-6605	YELLOW	A							-	SALEABLE	
33471-6606	BLACK	A							YES	SALEABLE	
33471-6607	LT. GRAY	B							YES		
33471-6608	BROWN	C							YES	NOT RECOMMENDED	SEE P/N 33471-6661
33471-6609	GREEN	D							YES	NOT RECOMMENDED	SEE P/N 33471-6662
33471-6610	YELLOW	A							YES	SALEABLE	
33471-6611	BLACK	A						X	-	SALEABLE	
33471-6612	LT. GRAY	B						X	-		
33471-6613	BROWN	C						X	-	NOT RECOMMENDED	SEE P/N 33471-6663
33471-6614	GREEN	D						X	-	NOT RECOMMENDED	SEE P/N 33471-6664
33471-6615	YELLOW	A						X	-	SALEABLE	
33471-6616	BLACK	A						X	YES	SALEABLE	
33471-6617	LT. GRAY	B						X	YES		
33471-6618	BROWN	C						X	YES	NOT RECOMMENDED	SEE P/N 33471-6665
33471-6619	GREEN	D						X	YES	NOT RECOMMENDED	SEE P/N 33471-6666
33471-6620	YELLOW	A						X	YES	SALEABLE	
33471-6621	BLACK	A	X					X	-	SALEABLE	
33471-6622	LT. GRAY	B	X					X	-		
33471-6623	BROWN	C	X					X	-	NOT RECOMMENDED	SEE P/N 33471-6667
33471-6624	GREEN	D	X					X	-	NOT RECOMMENDED	SEE P/N 33471-6668
33471-6625	YELLOW	A	X					X	-	SALEABLE	
33471-6626	BLACK	A	X					X	YES	SALEABLE	
33471-6627	LT. GRAY	B	X					X	YES		
33471-6628	BROWN	C	X					X	YES	NOT RECOMMENDED	SEE P/N 33471-6669
33471-6629	GREEN	D	X					X	YES	NOT RECOMMENDED	SEE P/N 33471-6670
33471-6630	YELLOW	A	X					X	YES	SALEABLE	
33471-6631	BLACK	A	X	X	X	X	X	X	-	SALEABLE	
33471-6632	LT. GRAY	B	X	X	X	X	X	X	-		
33471-6633	BROWN	C	X	X	X	X	X	X	-	NOT RECOMMENDED	SEE P/N 33471-6671
33471-6634	GREEN	D	X	X	X	X	X	X	-	NOT RECOMMENDED	SEE P/N 33471-6672
33471-6635	YELLOW	A	X	X	X	X	X	X	-	SALEABLE	
33471-6650	BLACK	A						X	X	-	SALEABLE
33471-6651	BLACK	A	X	X	X	X	X	X	YES	SALEABLE	
33471-6652	BLACK	A						X	YES	SALEABLE	
33471-6653	BLACK	A						X	YES	SALEABLE	
33471-6654	BLACK	A						X	-	SALEABLE	
33471-6655	BLACK	A						X	X	-	SALEABLE
33471-6656	BLACK	A						X	-	SALEABLE	
33471-6657	BLACK	A						X	-	SALEABLE	
33471-6658	BLACK	A	X	X	X	X			-	SALEABLE	
33471-6659	DK GRAY	C							-	SALEABLE	
33471-6660	ST GRAY	D							-	SALEABLE	
33471-6661	DK GRAY	C							YES	SALEABLE	
33471-6662	ST GRAY	D							YES	SALEABLE	
33471-6663	DK GRAY	C						X	-	SALEABLE	
33471-6664	ST GRAY	D						X	-	SALEABLE	
33471-6665	DK GRAY	C						X	YES	SALEABLE	
33471-6666	ST GRAY	D						X	YES	SALEABLE	
33471-6667	DK GRAY	C	X					X	-	SALEABLE	
33471-6668	ST GRAY	D	X					X	-	SALEABLE	
33471-6669	DK GRAY	C	X					X	YES	SALEABLE	
33471-6670	ST GRAY	D	X					X	YES	SALEABLE	
33471-6671	DK GRAY	C	X	X	X	X	X	X	-	SALEABLE	
33471-6672	ST GRAY	D	X	X	X	X	X	X	-	SALEABLE	
33471-6673	BLACK	A						X	-	SALEABLE	
33471-6674	BLACK	A						X	-	SALEABLE	
33471-6675	BLACK	A	X					X	YES	SALEABLE	
33471-6676	BLACK	A	X						-	SALEABLE	
33471-6677	BLACK	A		X	X				-	SALEABLE	

ENTER DESCRIPTION IEC NO. UAU2018-0229 DRAWN: SONGS 2017/09/21 CHECKED: ANS/ANBROU 2017/09/21 APPROVED: ANS/ANBROU 2017/09/26 REV DESCRIPTION	QUALITY SYMBOLS ▽=0 ▽=0 ▽=0		GENERAL TOLERANCES (UNLESS SPECIFIED) mm INCH 4 PLACES ± --- ± --- 3 PLACES ± 0.10 ± --- 2 PLACES ± 0.3 ± --- 1 PLACE ± ± 0 PLACE ± ±		DIMENSION STYLE MM ONLY DRAWN BY DATE DGRAFF ITHS 06-03-03 CHECKED BY DATE DGRAFF ITHS 06-03-03 APPROVED BY DATE DGRAFF ITHS 06-03-03		SCALE 2:1 DESIGN UNITS METRIC THIRD ANGLE PROJECTION		TITLE MX150 1X6 RECEPTACLE SEALED ASSEMBLY MAT SEAL molex		MATERIAL NO. SEE BOM DOCUMENT NO. SD-33471-061		SHEET NO. 5 OF 5	
	ANGULAR ± 3 ° DRAFT WHERE APPLICABLE MUST REMAIN WITHIN DIMENSIONS													
	THIS DRAWING CONTAINS INFORMATION THAT IS PROPRIETARY TO MOLEX INCORPORATED AND SHOULD NOT BE USED WITHOUT WRITTEN PERMISSION													
	SIZE D													