



Terminals & Splices > Automotive Terminals > Econoseal Receptacles and Tabs



Terminal Type: **Receptacle**

Mating Tab Width: **6.3 mm [.248 in]**

Mating Tab Thickness: **.8 mm [.031 in]**

Terminal Transmits: **0 – 24 A (Low Power)**

Wire Size: **14 – 12 AWG**

[All Econoseal Receptacles and Tabs \(45\)](#)

Features

Product Type Features

Receptacle Style	180°
Sealable	Yes

Body Features

Terminal Seal Type	Single Wire Seal (SWS)
--------------------	------------------------

Contact Features

Contact Size	6.35mm
Contact Fabrication	Stamped & Formed
Typical Current Rating	20 A
Crimp Type	F-Crimp
Terminal Type	Receptacle
Mating Tab Width	6.3 mm [.248 in]
Mating Tab Thickness	.8 mm [.031 in]
Interface Plating	Tin (Sn)
Contact Termination Area Plating Material	Tin (Sn)

Termination Features

Termination Method to Wire & Cable	Crimp
Product Terminates To	Wire

Dimensions

Wire Size	2 – 3 mm ²
Wire Size Search	12 AWG, 13 AWG, 14 AWG
Wire Insulation Diameter	2.6 – 3.4 mm

Usage Conditions

Insulation Option	Uninsulated
-------------------	-------------

Operation/Application

Compatible With Wire Base Material	Copper
------------------------------------	--------

Packaging Features

Packaging Method	Reel
Packaging Quantity	3000

Other

Terminal Transmits	0 – 24 A (Low Power)
--------------------	----------------------

Product Compliance

[For compliance documentation, visit the product page on TE.com>](#)

EU RoHS Directive 2011/65/EU	Out of Scope
EU ELV Directive 2000/53/EC	Compliant
China RoHS 2 Directive MIIT Order No 32, 2016	Not reviewed for China RoHS compliance
EU REACH Regulation (EC) No. 1907/2006	Current ECHA Candidate List: JUNE 2022 (224) Candidate List Declared Against: JUL 2021 (219) SVHC > Threshold: Not Yet Reviewed
Halogen Content	Out of Scope - excluded from Halogen requirements
Solder Process Capability	Not applicable for solder process capability

Product Compliance Disclaimer

This information is provided based on reasonable inquiry of our suppliers and represents our current actual knowledge based on the information they provided. This information is subject to change. The part numbers that TE has identified as EU RoHS compliant have a maximum concentration of 0.1% by weight in homogenous materials for lead, hexavalent chromium, mercury, PBB, PBDE, DBP, BBP, DEHP, DIBP, and 0.01% for cadmium, or qualify for an exemption to these limits as defined in the Annexes of Directive 2011/65/EU (RoHS2). Finished electrical and electronic equipment products will be CE marked as required by Directive 2011/65/EU. Components may not be CE marked. Additionally, the part numbers that TE has identified as EU ELV compliant have a maximum concentration of 0.1% by weight in homogenous materials for lead, hexavalent chromium, and mercury, and 0.01% for cadmium, or qualify for an exemption to these limits as defined in the Annexes of Directive 2000/53/EC (ELV). Regarding the REACH Regulation, the information TE provides on SVHC in articles for this part number is based on the latest European Chemicals Agency (ECHA) 'Guidance on

requirements for substances in articles' posted at this URL: <https://echa.europa.eu/guidance-documents/guidance-on-reach>

Compatible Parts



TE Part # 2-2150945-1
OCEAN-2.0-APPLICATOR-E-110F2300



TE Part # 2-2150945-2
OCEAN-2.0-APPLICATOR-E-110F2300



TE Part # 2150945-1
OCEAN-2.0-APPLICATOR-E-110F2300



TE Part # 2150945-2
OCEAN-2.0-APPLICATOR-E-110F2300



TE Part # 344525-1
ASSY TOOL FOR ECONOSEAL 3HIGH




KIT
TE Part # 7-2150945-7
OCEAN_2.0_SPARE_PART_KIT-110F2300



TE Part # 724712-1
.250 REC EXT. TOOL


Also in the Series | Econoseal



Automotive Connector Caps & Covers (1)




Automotive Connector Locks & Position Assurance(25)




Automotive Housings(62)




Automotive Seals & Cavity Plugs(17)



Automotive Terminals(47)



Insertion & Extraction Tools(7)



Other Automotive Connector Accessories(5)



PCB Headers & Receptacles(4)



Primary Wire(1)

Customers Also Bought



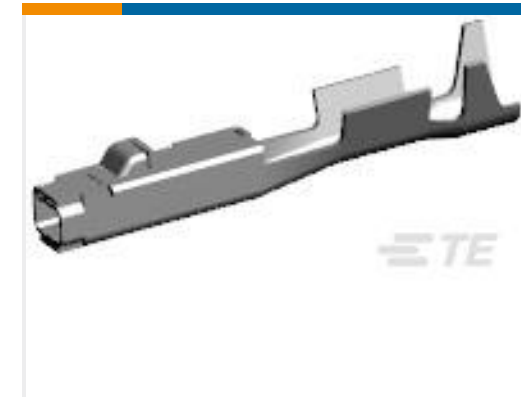
TE Part #1-967624-1
TIMER, CONNECTOR HOUSING



TE Part #962930-1
TIMER, RECEPTACLE AND TAB



TE Part #925712-2
.140 DIA SOCKET



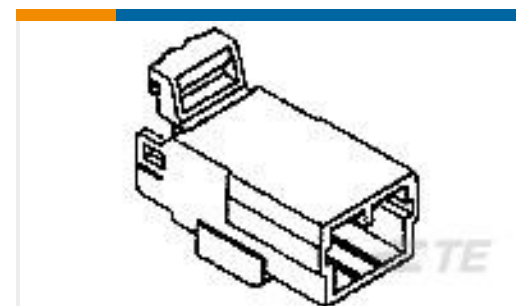
TE Part #1670144-3
MCON 1.2 CB REC SRC AG



TE Part #282308-1
5MM PITCH RCPT CONTACT



TE Part #344081-1
RECPT. HSG. ASSY. 2 WAY



TE Part #174929-1
070 MLC W-W CAP HSG 4P NATURAL

Documents

Product Drawings

[.250" SPEC.F.RECP.\(PLATED\)](#)

English

CAD Files

[3D PDF](#)

English

Customer View Model

[ENG_CVM_344009-1_B.3d_igs.zip](#)

English

Customer View Model

[ENG_CVM_344009-1_B.3d_stp.zip](#)

English

Customer View Model

[ENG_CVM_344009-1_B.2d_dxf.zip](#)

English

By downloading the CAD file I accept and agree to the [Terms and Conditions](#) of use.



Datasheets & Catalog Pages

Econoseal Connector Series

English

Product Environmental Compliance

Product Compliance

English

Product Compliance

English