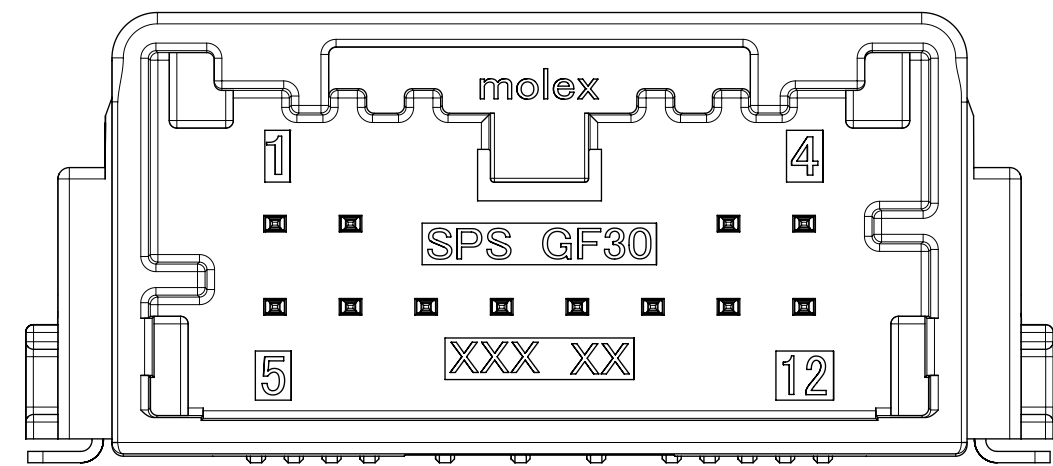
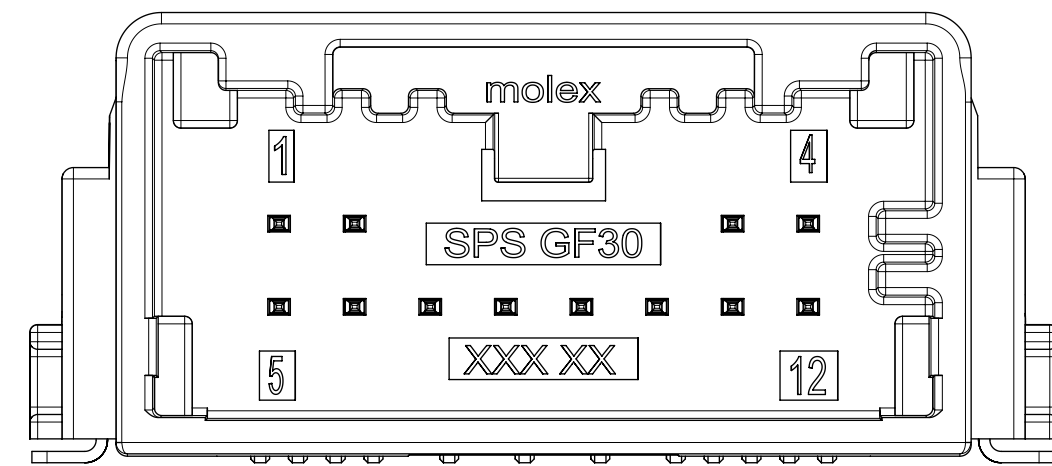


12 CIRCUIT SMT USCAR HEADER
POLARIZATION OPTION A

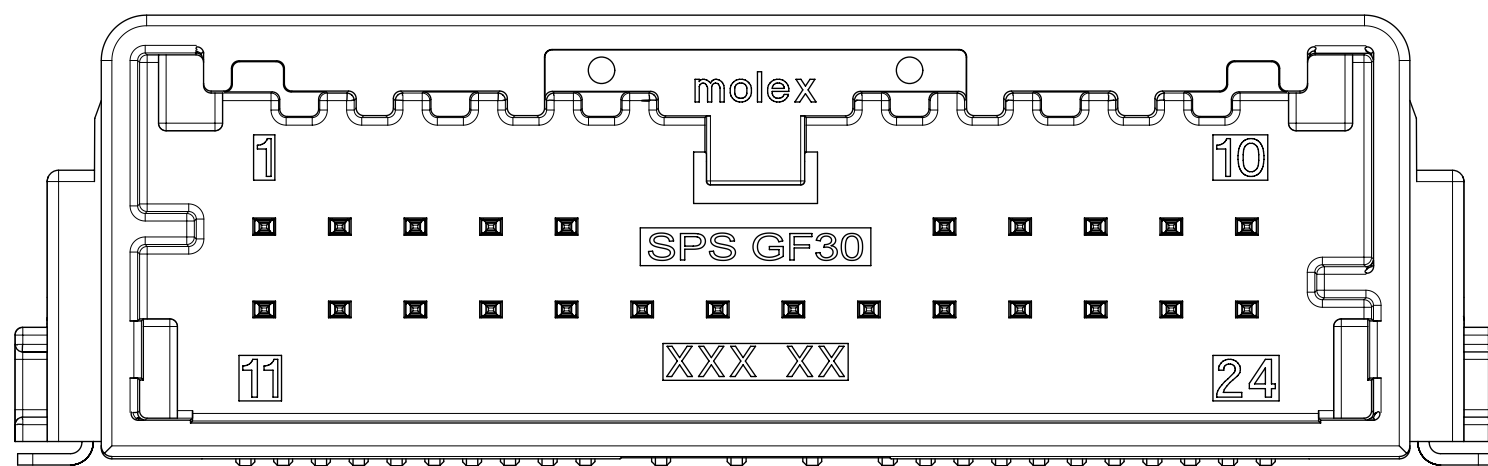


12 CIRCUIT SMT USCAR HEADER
POLARIZATION OPTION B

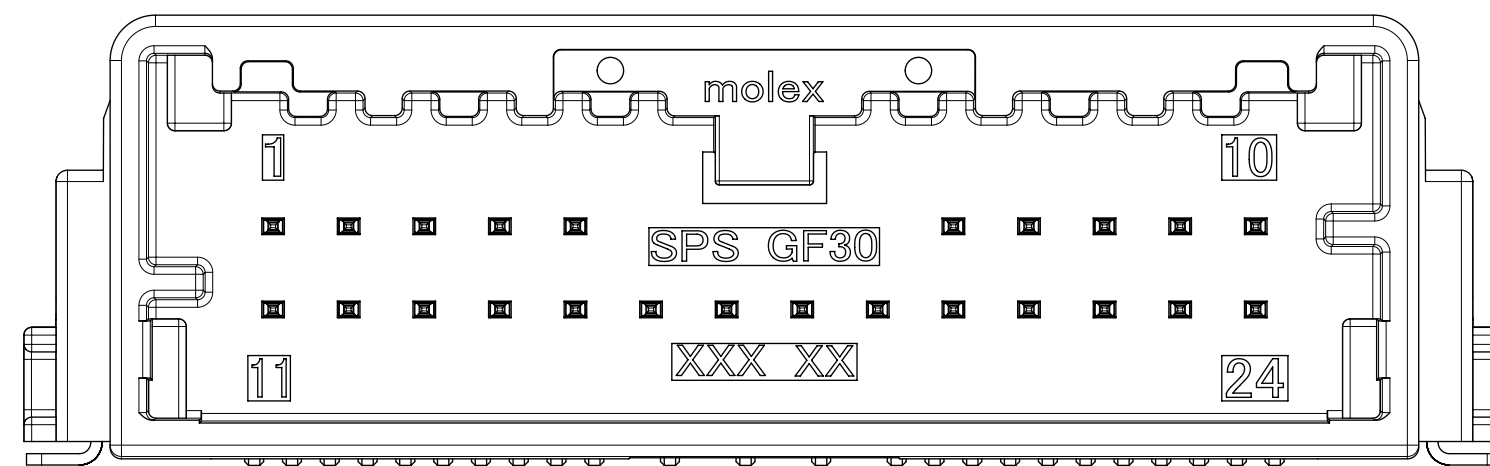


12 CIRCUIT SMT USCAR HEADER
POLARIZATION OPTION C

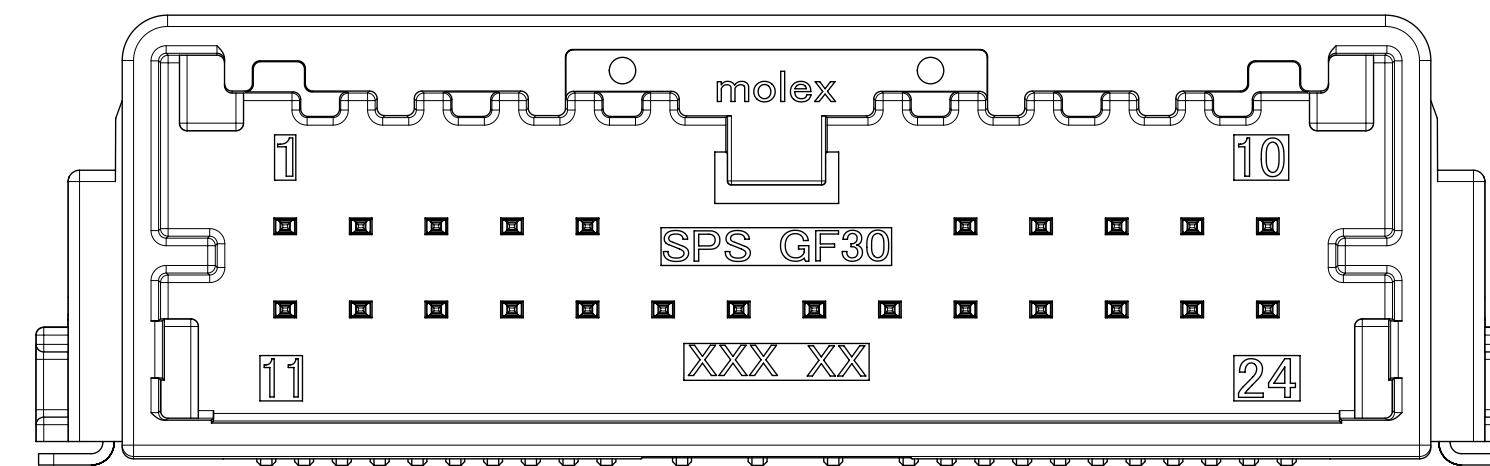
24CKT POLARIZATION OPTIONS SHOWN BELOW
ARE REPRESENTATIVE FOR 16 AND 20CKT



24 CIRCUIT SMT HEADER
POLARIZATION OPTION A



24 CIRCUIT SMT HEADER
POLARIZATION OPTION B



24 CIRCUIT SMT HEADER
POLARIZATION OPTION C

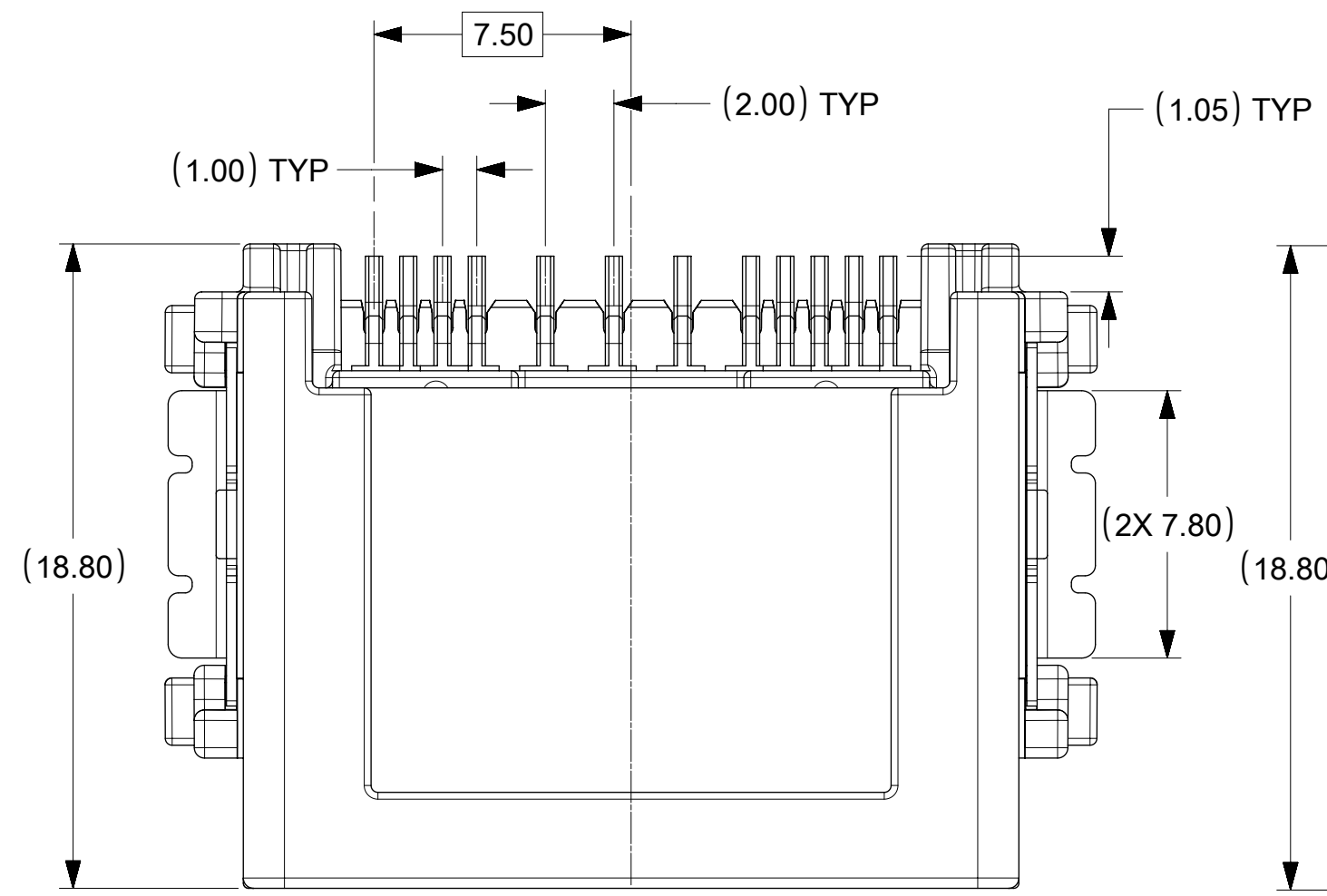
NOTES: VALID UNLESS OTHERWISE SPECIFIED

1. GENERAL:
 - a. APPLICATION SPECIFICATION SEE: AS-34791-020
 - b. PRODUCT SPECIFICATION SEE: PS-34791-020
 - c. PACKAGING SPECIFICATION PER MOLEX DRAWING: SEE CHART
 - d. SOLDERABILITY PER SMES-152
 - e. PARTS MUST BE IN COMPLIANCE TO MOLEX CHEMICAL SUBSTANCES FOR PRODUCTS AND PACKAGING SPECIFICATION: QEHS-699000-300
 - f. DATA MUST BE SUBMITTED UNDER THE MOLEX PART NUMBER TO IMDS (COMPANY ID#13255)
 - g. FLAMMABILITY REQUIREMENT: PER ISO3795 OR GM3191
 - h. VISUAL DEFECTS SHALL MEET COSMETIC STANDARD PS-45499-002 (Class B)
 2. DESIGN - MATERIALS:
 - a. SHROUD (PLASTIC HOUSING): SPS 30% GF, 25% REGRIND MAX PER WEIGHT
 - b. BLADES:
 - BASE METAL: C260 BRASS
 - PLATING REQUIREMENTS:
 - TIN:
 - UNDERPLATING:
 - OVERALL NICKEL: 1.25 - 2.25 MICROMETERS
 - OVERPLATING:
 - OVERALL TIN: 2.5 - 4.0 MICROMETERS
 - GOLD:
 - UNDERPLATING:
 - OVERALL NICKEL: 1.25 - 2.25 MICROMETERS
 - OVERPLATING:
 - CONTACT AREA: ELECTRODEPOSITED GOLD
 - MINIMUM 0.76 MICROMETERS HARD GOLD
 - PCB CONTACT AREA: ELECTRODEPOSITED TIN MATTE FINISH
 - MINIMUM 2.5 - 4.0 MICROMETERS
3. DESIGN - GEOMETRY:
 - a. THIS IS A 100% CAD GENERATED PART. THE CAD MATHEMATICAL DATA IS THE MASTER FOR THIS PART. FOR DIMENSIONAL OR ANY INFORMATION NOT SHOWN ON THIS DRAWING, ANALYZE THE CAD MODEL.
 - b. GEOMETRIC DIMENSIONS AND TOLERANCES PER ASME Y14.5M - 2009
 - c. GENERAL TOLERANCES: SEE TITLE BLOCK
 - d. EDGES AND UNDIMENSIONED DETAILS PER ISO13715
 - e. CORNERS SHOWN AS SHARP TO BE R 0.1 MAX
 - f. LETTERING SHALL BE BELOW SURROUNDING SURFACE OF PART. THIS INCLUDES RECYCLING CODE, PLANT AND CAVITY ID, VENDOR ID, AND CIRCUIT ID.

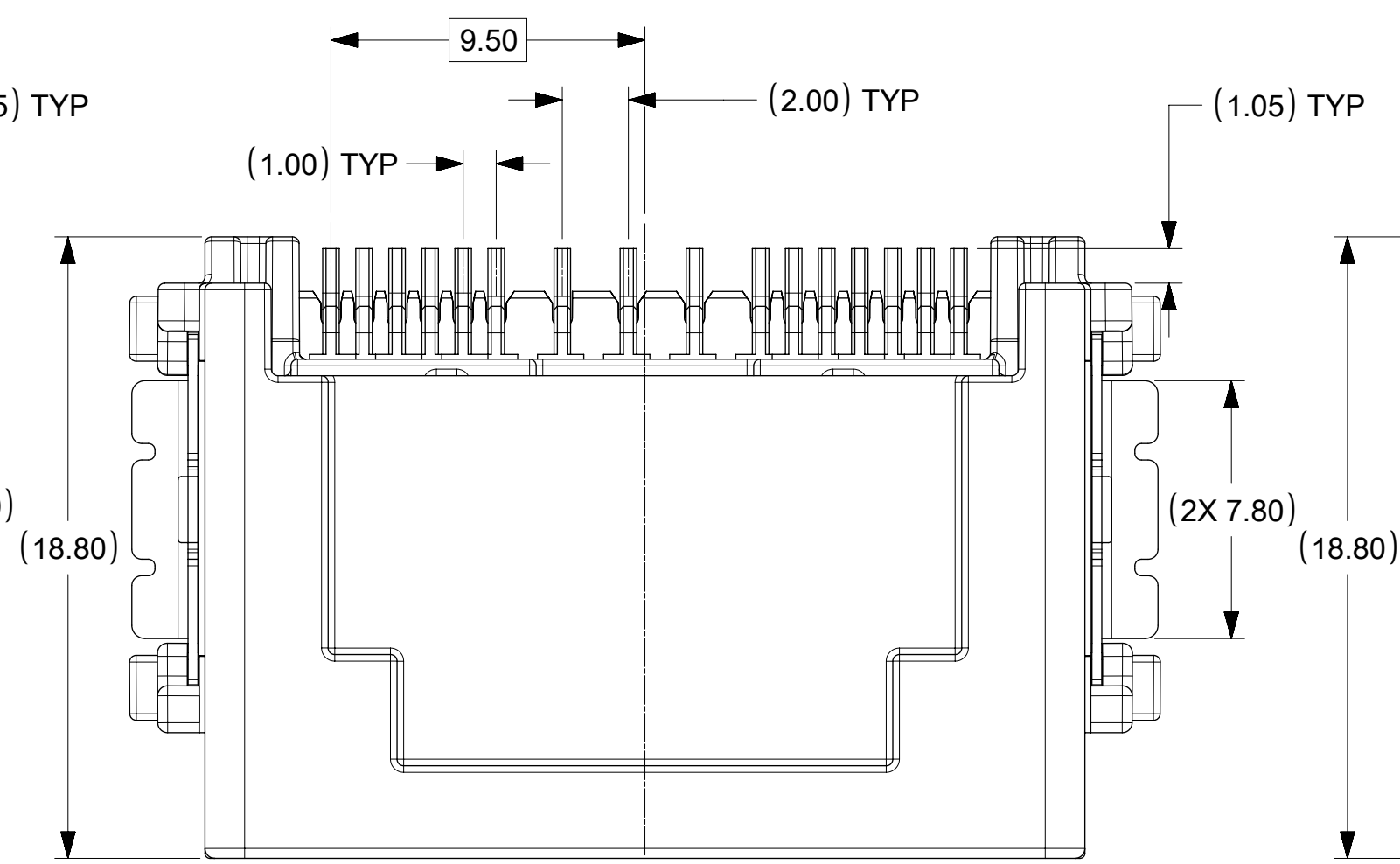
INSPECTION BALLON NUMBER LOG	
PER DRAWING REVISION: W7	W7 UPDATED INSPECTION LOG, CHANGED DESCRIPTION, ADDED BASIC DIMS TO SHEET 2
LAST BALLOON USED: 16	W6 DELETED 34897-6164
ADDED BALLOON NUMBERS:	W5 ADDED DIM BALLOON 15 & 16
	W4 ADDED 16CKT GOLD DEPOPULATED POL A P/N
	W3 NX REMASTERING
REMOVED BALLOON NUMBERS:	REV DESCRIPTION

QUALITY SYMBOLS ▽ = 0 ▽ = 0 ▽ = 0 ▽ = 0 ▽ = 0 ▽ = 0 ▽ = 0 ▽ = 0 ▽ = 0	THIS DRAWING CONTAINS INFORMATION THAT IS PROPRIETARY TO MOLEX ELECTRONIC TECHNOLOGIES, LLC AND SHOULD NOT BE USED WITHOUT WRITTEN PERMISSION		GENERAL TOLERANCES (UNLESS SPECIFIED) DIMENSION UNITS: MM ONLY SCALE: 5:1 DRWN BY: TMACHUGA DATE: 2011/11/23 CHKD BY: SMARCEAU DATE: 2011/12/19 APPR BY: SMARCEAU DATE: 2011/12/19 DRAWING SIZE: D THIRD ANGLE PROJECTION		 MINI 50 DUAL ROW SMT HEADER ASSEMBLY SALES DRAWING PRODUCT CUSTOMER DRAWING SERIES: 34897 MATERIAL NUMBER: SEE CHART CUSTOMER: GENERAL MARKET DOCUMENT NUMBER: SD-34897-001 DOC TYPE: PSD DOC PART: 000 SHEET NUMBER: 1 OF 5
	EC NO: 624745 DRWN: SRUSS CHKD: JDUNAJ REV APPR: JDUNAJ	2019/09/11 2019/09/26 2019/09/26	DIMENSION UNITS: MM ONLY SCALE: 5:1 DRWN BY: TMACHUGA DATE: 2011/11/23 CHKD BY: SMARCEAU DATE: 2011/12/19 APPR BY: SMARCEAU DATE: 2011/12/19 DRAWING SIZE: D THIRD ANGLE PROJECTION	SERIES: 34897 MATERIAL NUMBER: SEE CHART CUSTOMER: GENERAL MARKET DOCUMENT NUMBER: SD-34897-001 DOC TYPE: PSD DOC PART: 000 SHEET NUMBER: 1 OF 5	
	THIS DRAWING CONTAINS INFORMATION THAT IS PROPRIETARY TO MOLEX ELECTRONIC TECHNOLOGIES, LLC AND SHOULD NOT BE USED WITHOUT WRITTEN PERMISSION		DIMENSION UNITS: MM ONLY SCALE: 5:1 DRWN BY: TMACHUGA DATE: 2011/11/23 CHKD BY: SMARCEAU DATE: 2011/12/19 APPR BY: SMARCEAU DATE: 2011/12/19 DRAWING SIZE: D THIRD ANGLE PROJECTION	SERIES: 34897 MATERIAL NUMBER: SEE CHART CUSTOMER: GENERAL MARKET DOCUMENT NUMBER: SD-34897-001 DOC TYPE: PSD DOC PART: 000 SHEET NUMBER: 1 OF 5	
	THIS DRAWING CONTAINS INFORMATION THAT IS PROPRIETARY TO MOLEX ELECTRONIC TECHNOLOGIES, LLC AND SHOULD NOT BE USED WITHOUT WRITTEN PERMISSION		DIMENSION UNITS: MM ONLY SCALE: 5:1 DRWN BY: TMACHUGA DATE: 2011/11/23 CHKD BY: SMARCEAU DATE: 2011/12/19 APPR BY: SMARCEAU DATE: 2011/12/19 DRAWING SIZE: D THIRD ANGLE PROJECTION	SERIES: 34897 MATERIAL NUMBER: SEE CHART CUSTOMER: GENERAL MARKET DOCUMENT NUMBER: SD-34897-001 DOC TYPE: PSD DOC PART: 000 SHEET NUMBER: 1 OF 5	

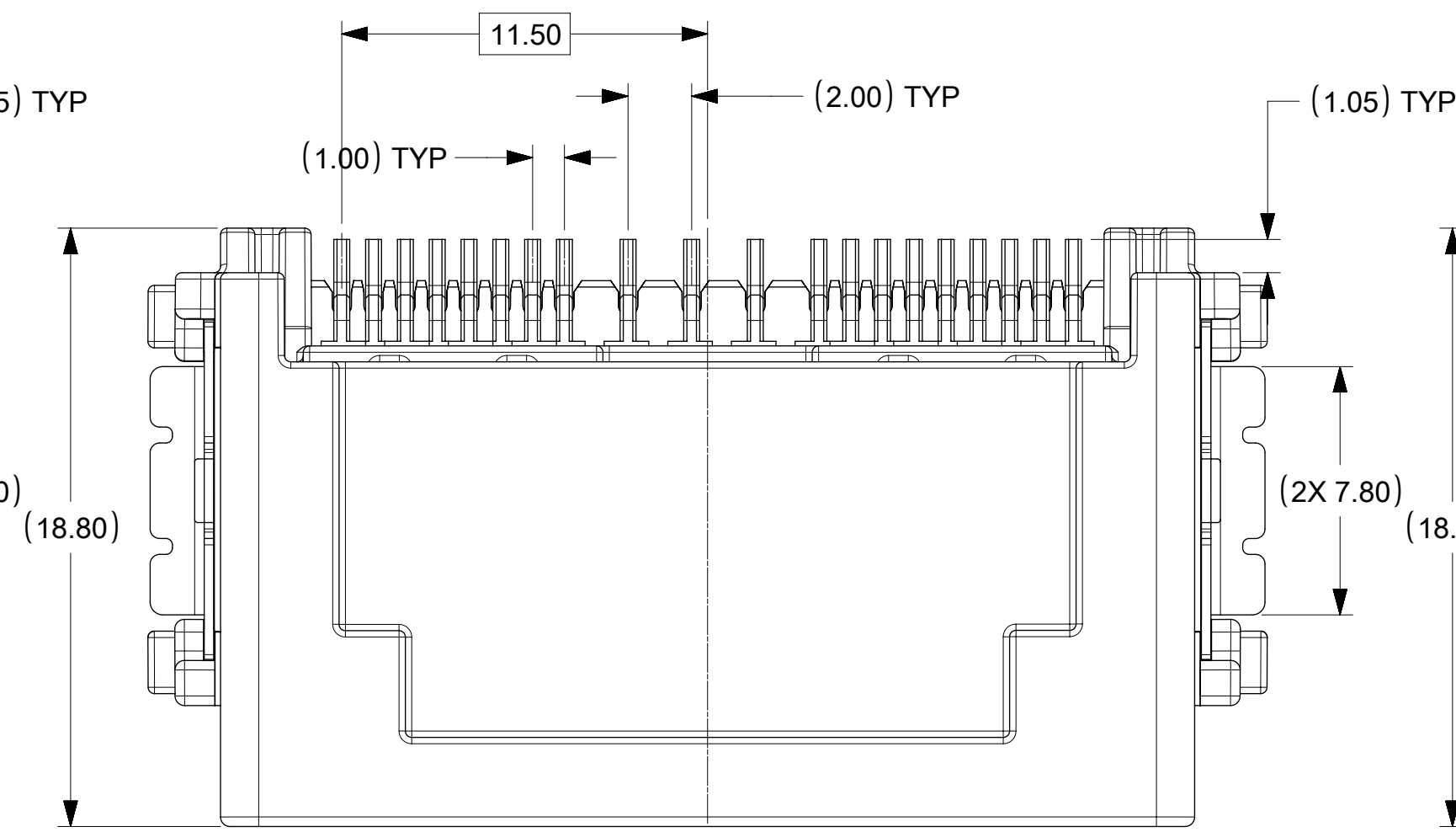
12 CKT SMT USCAR HEADER



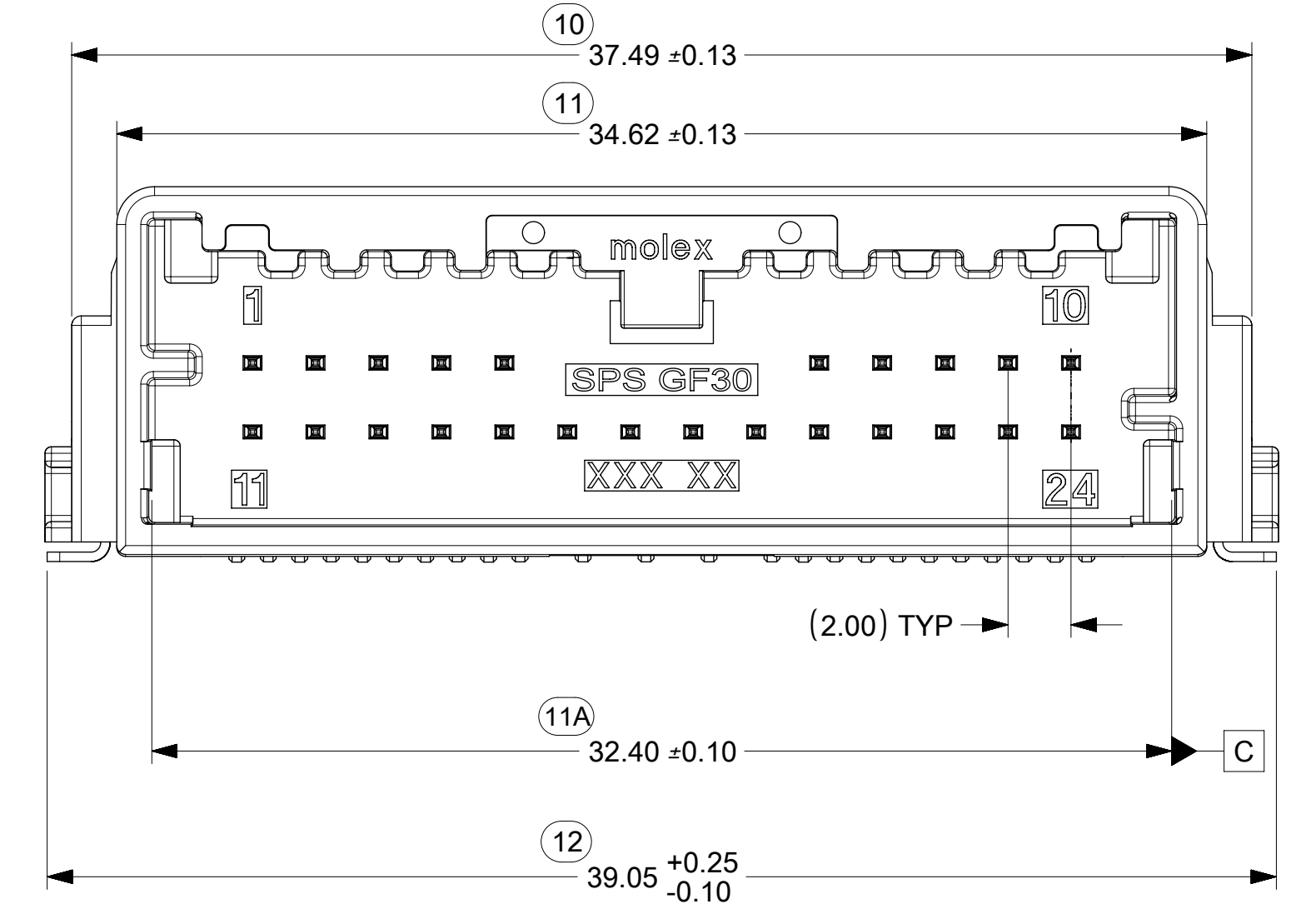
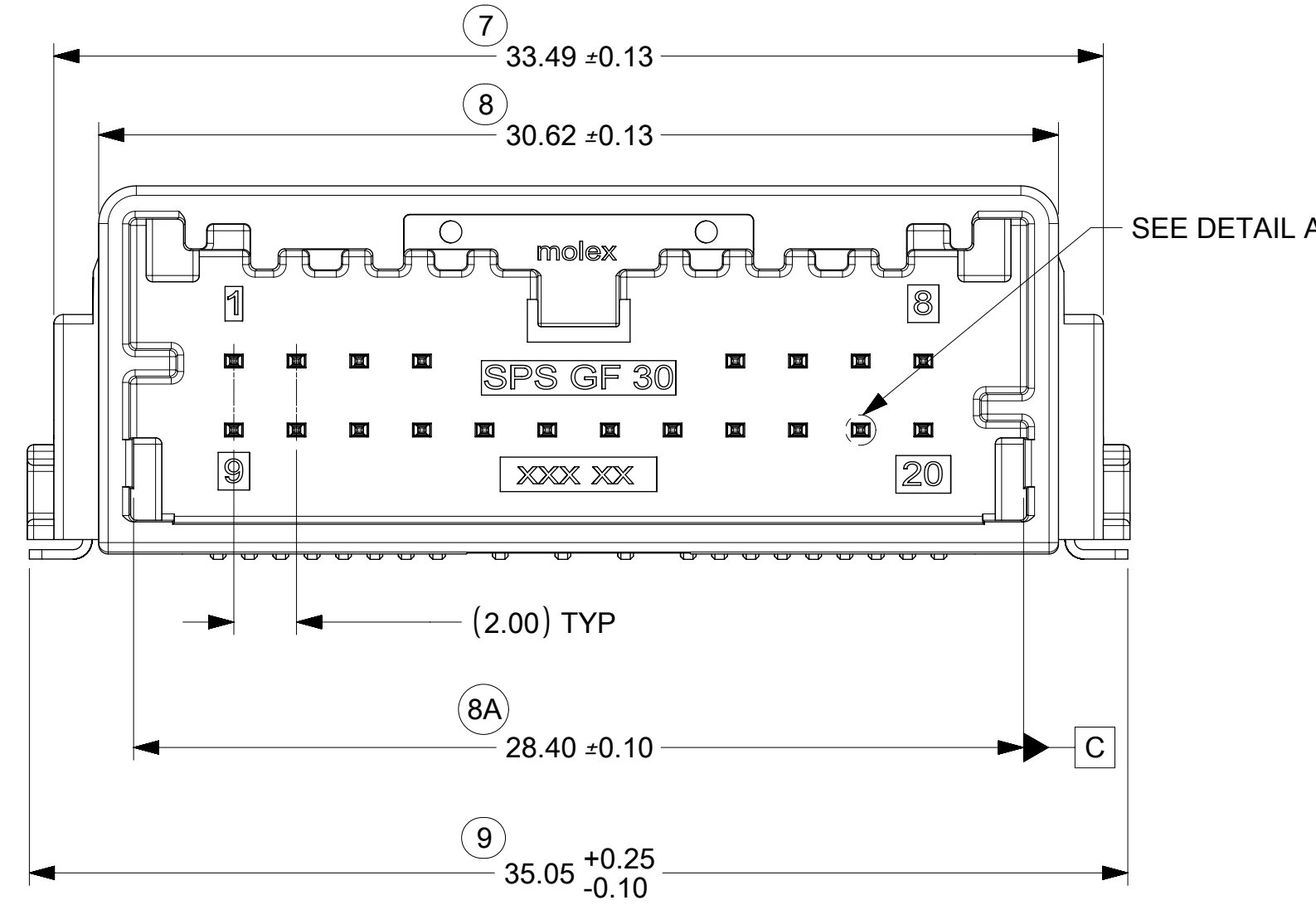
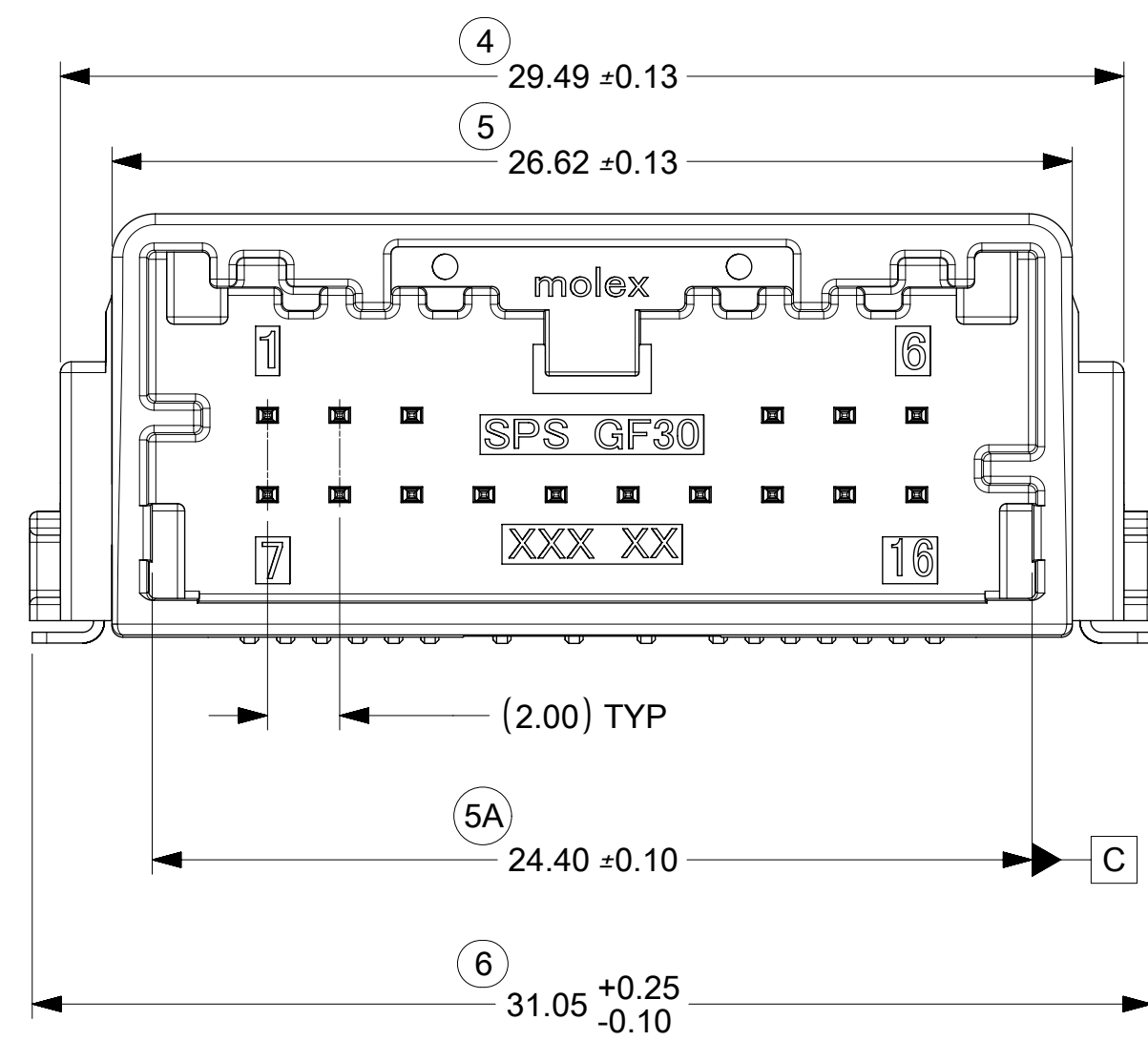
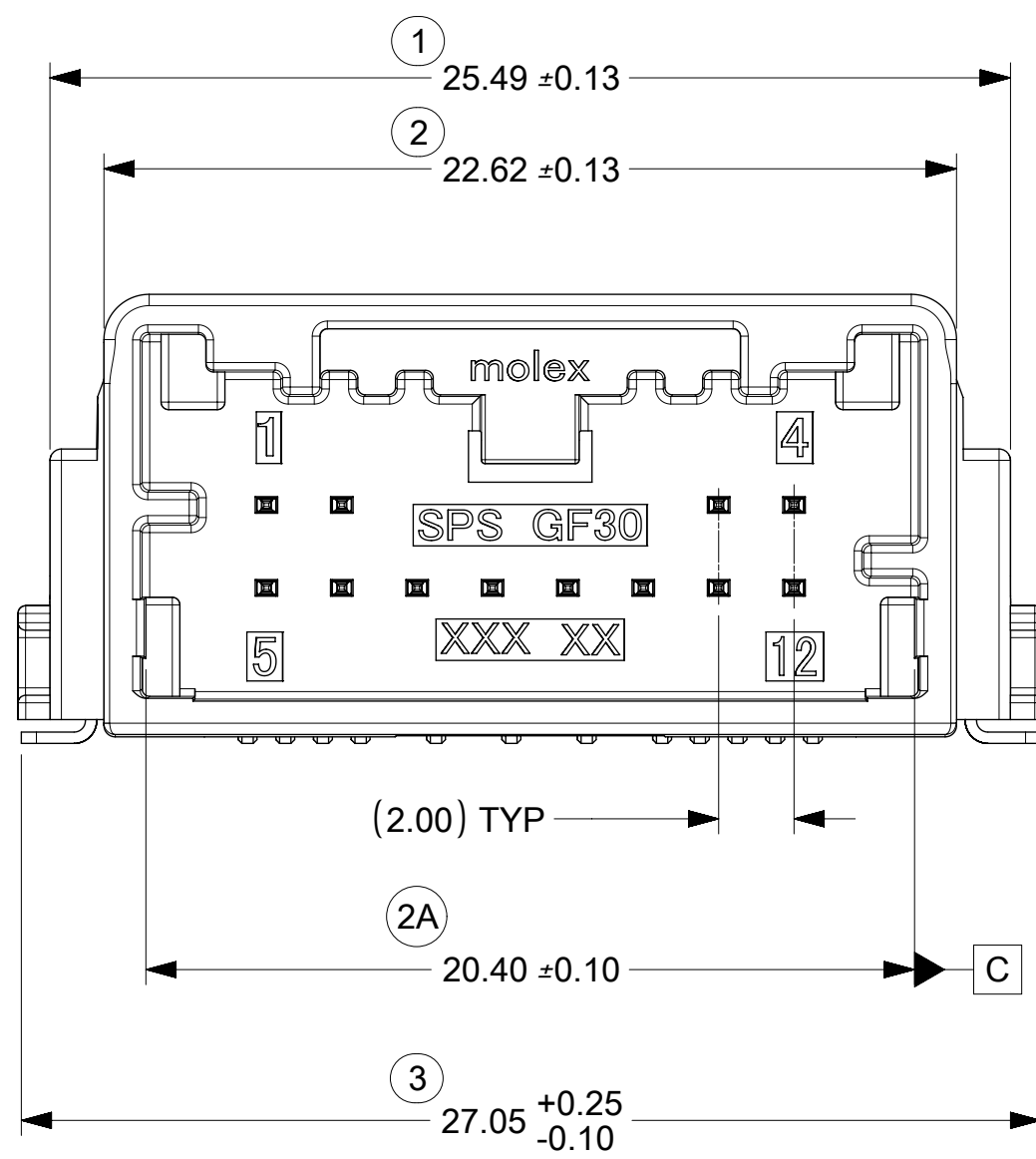
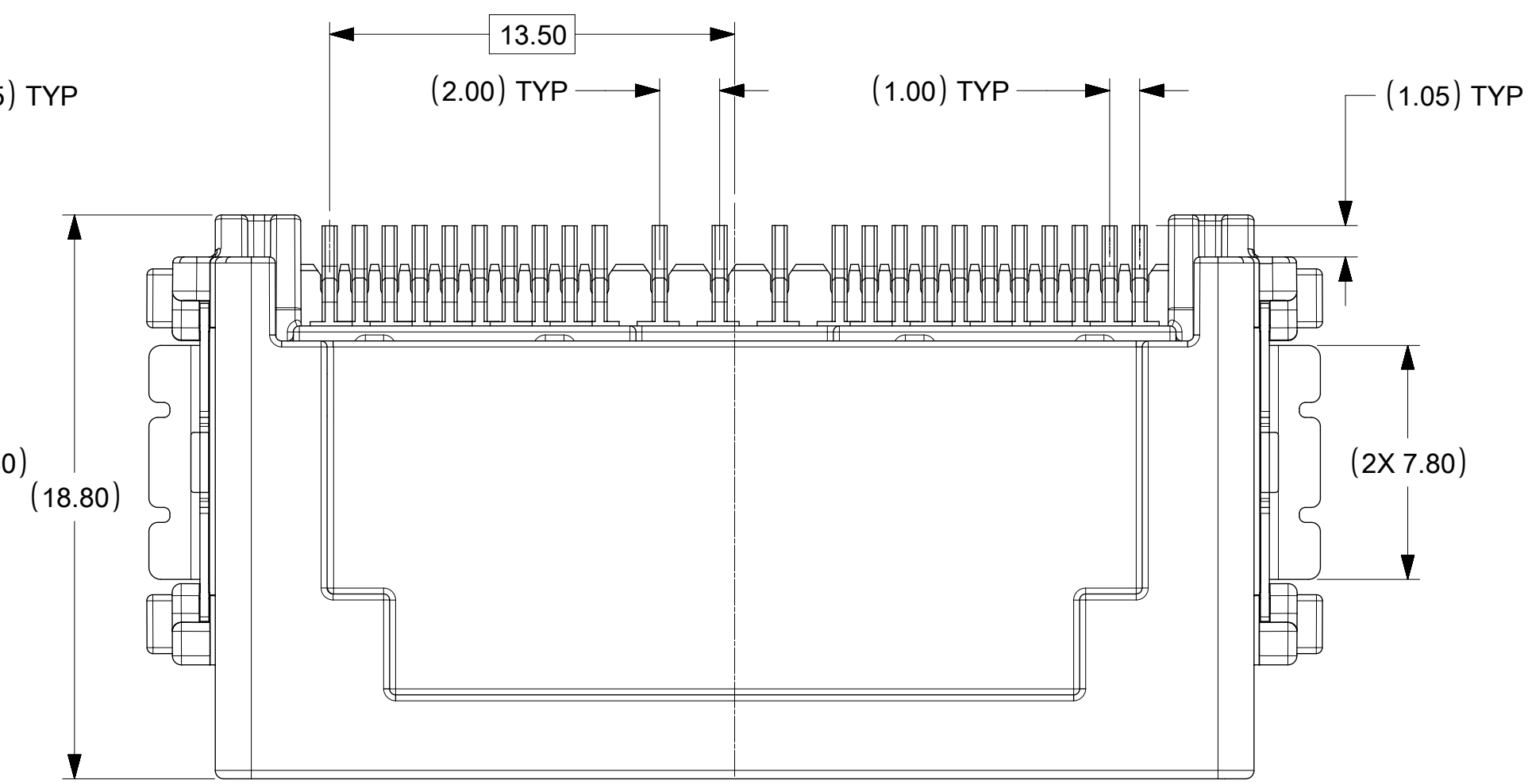
16 CKT SMT HEADER



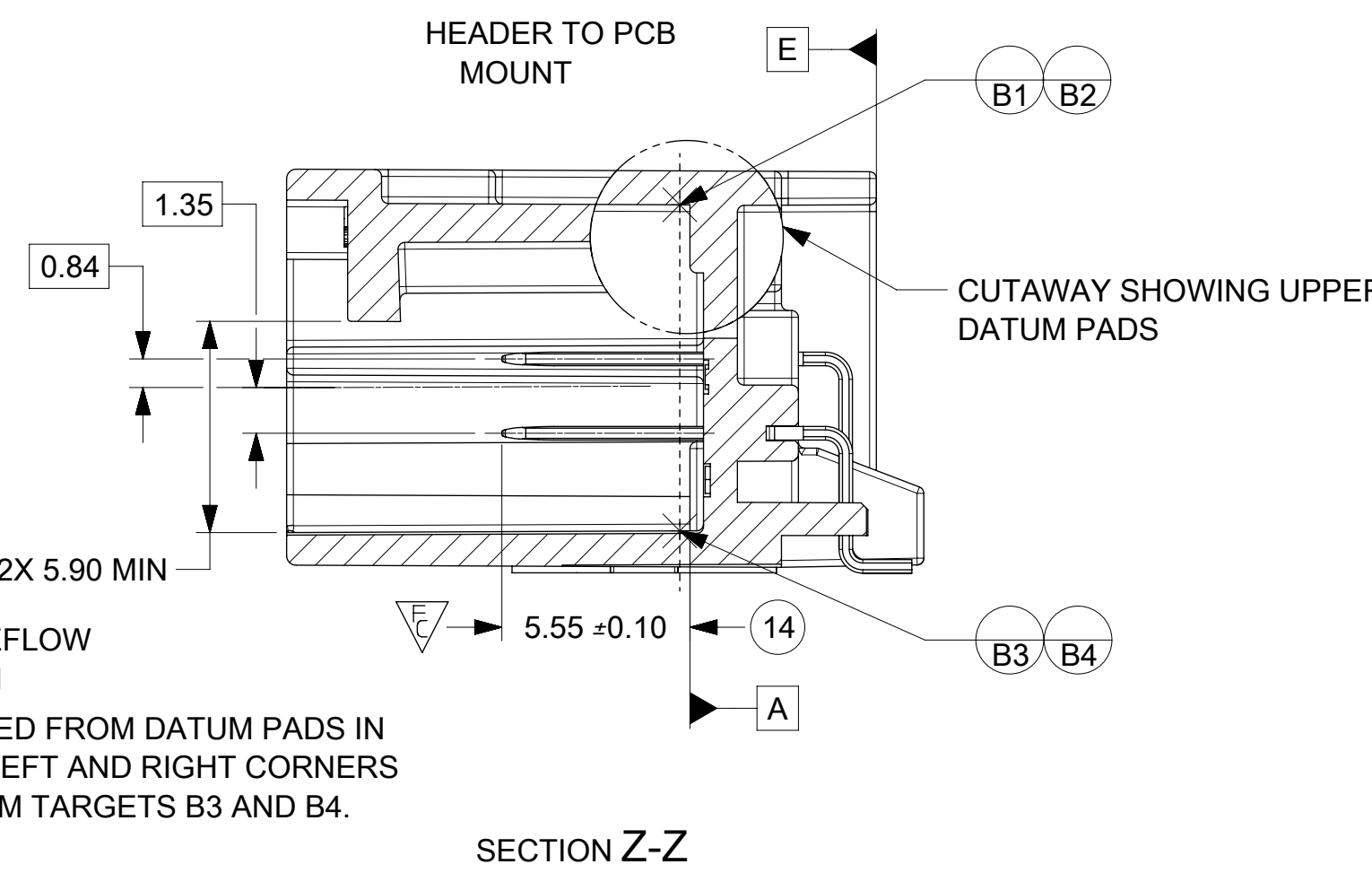
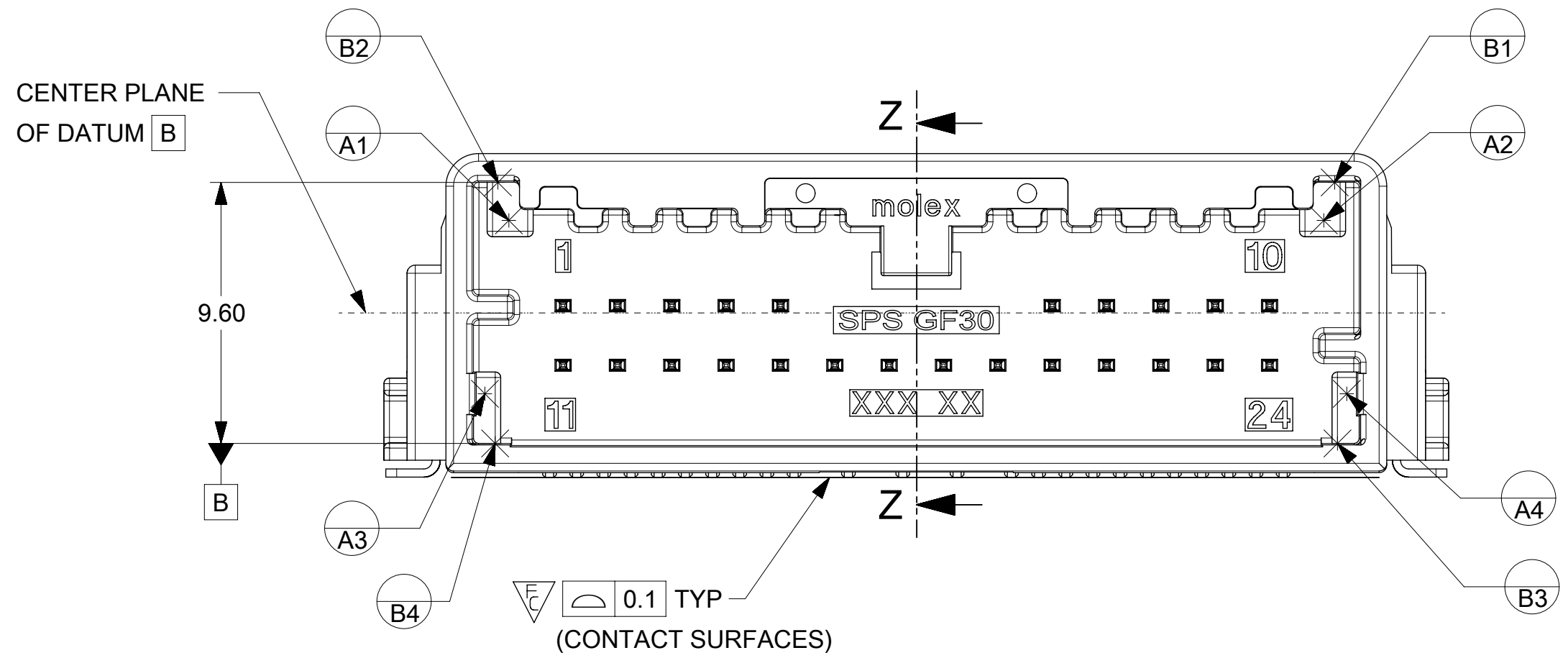
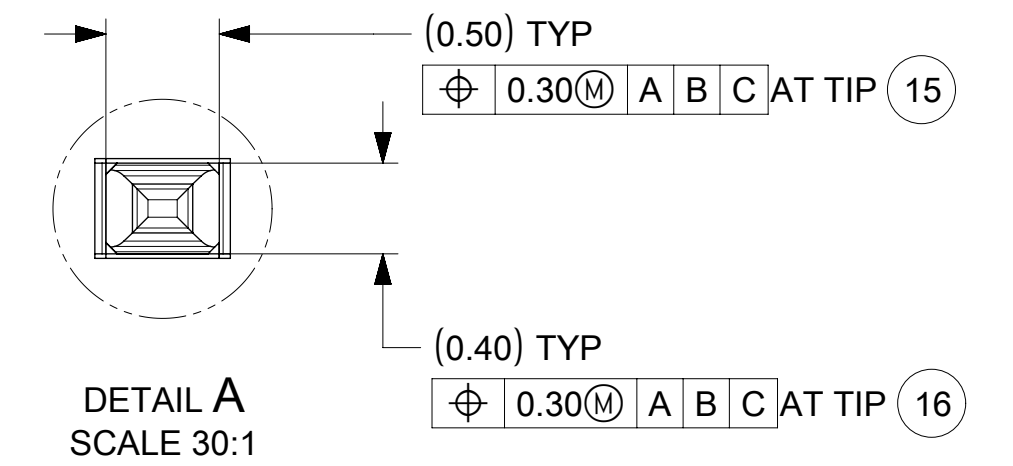
20 CKT SMT HEADER



24 CKT SMT HEADER



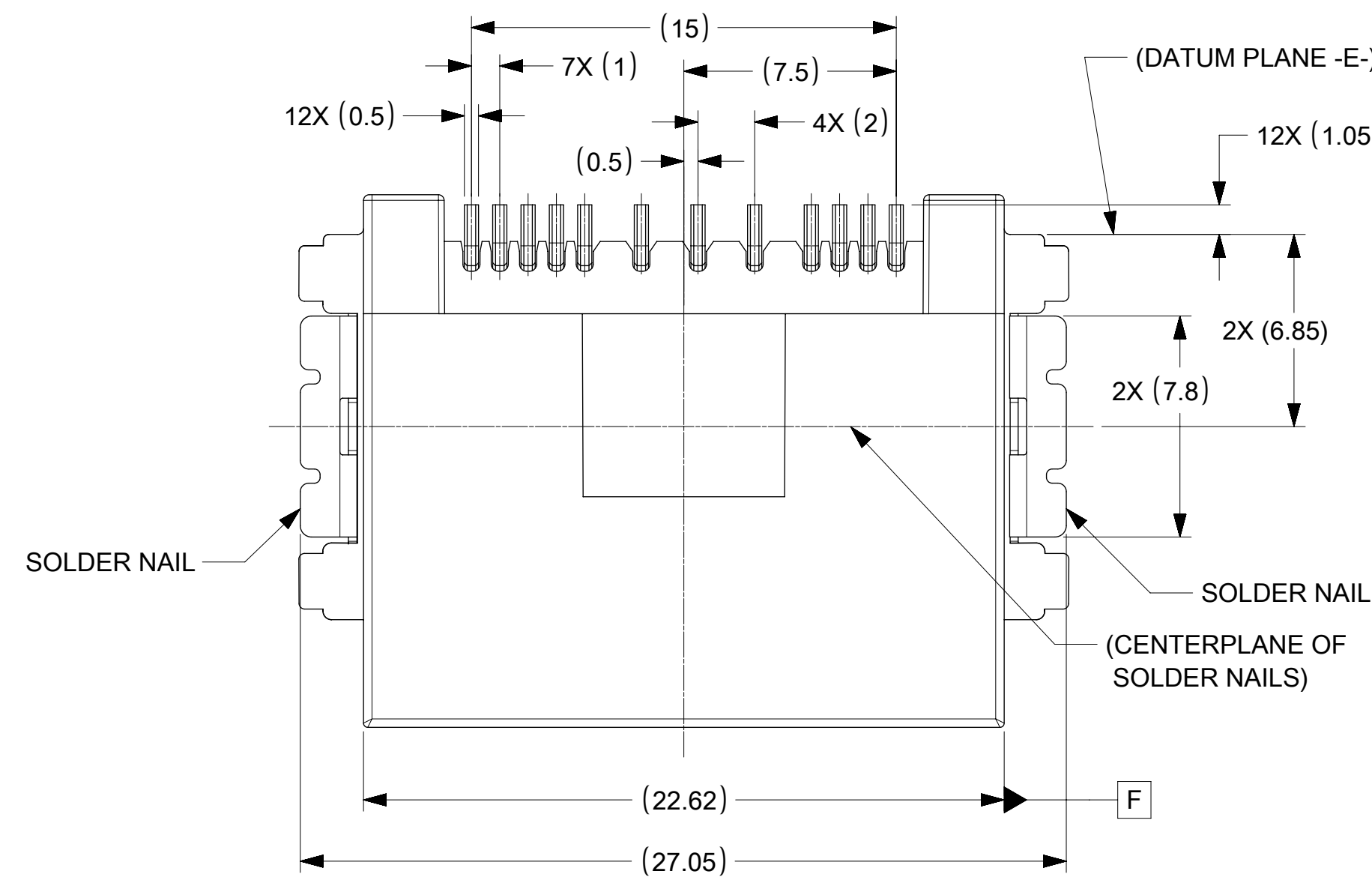
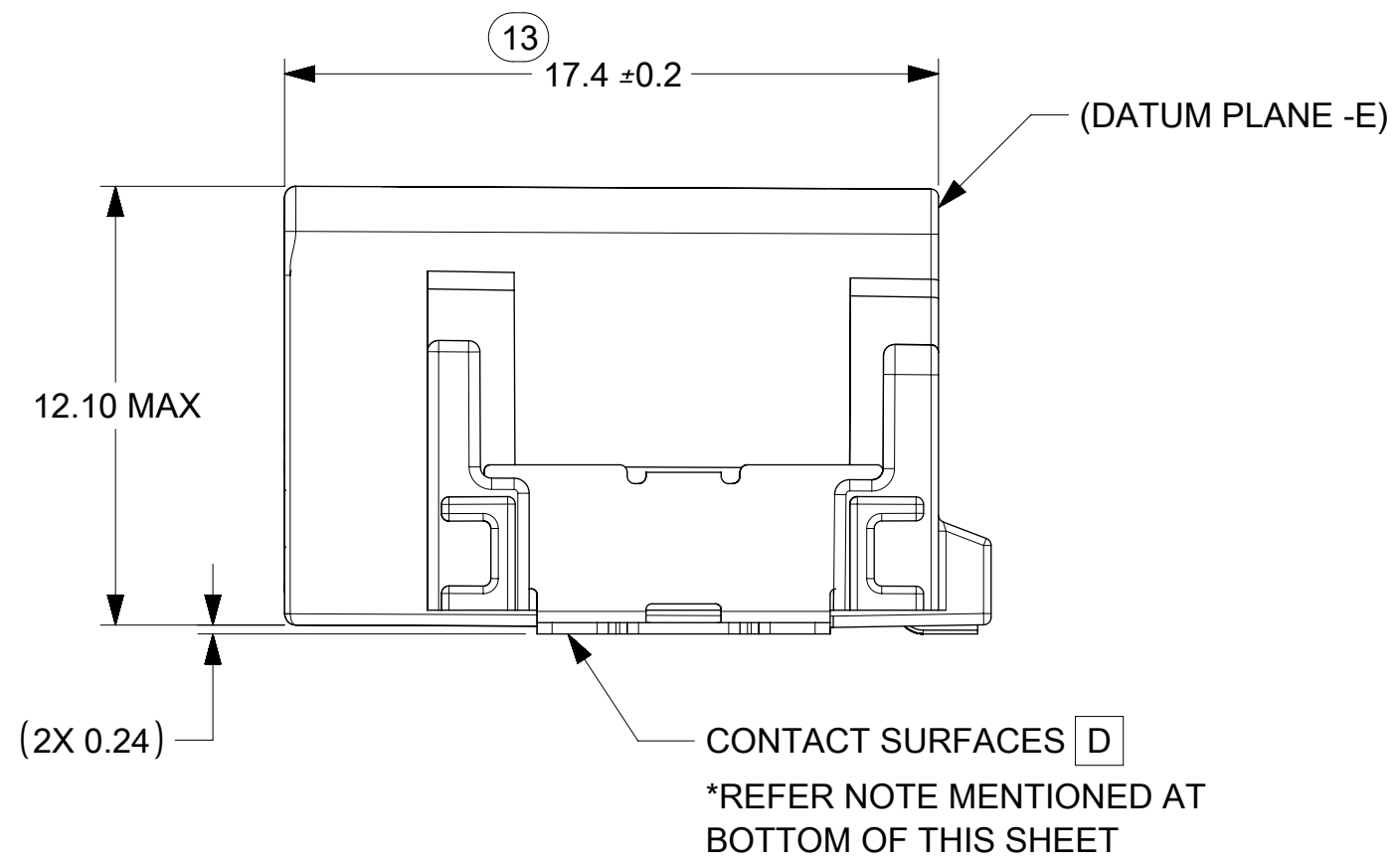
POST-REFLOW MINIMUM LATCH HEIGHT
24 CKT HEADER ASSEMBLY SHOWN AS EXAMPLE



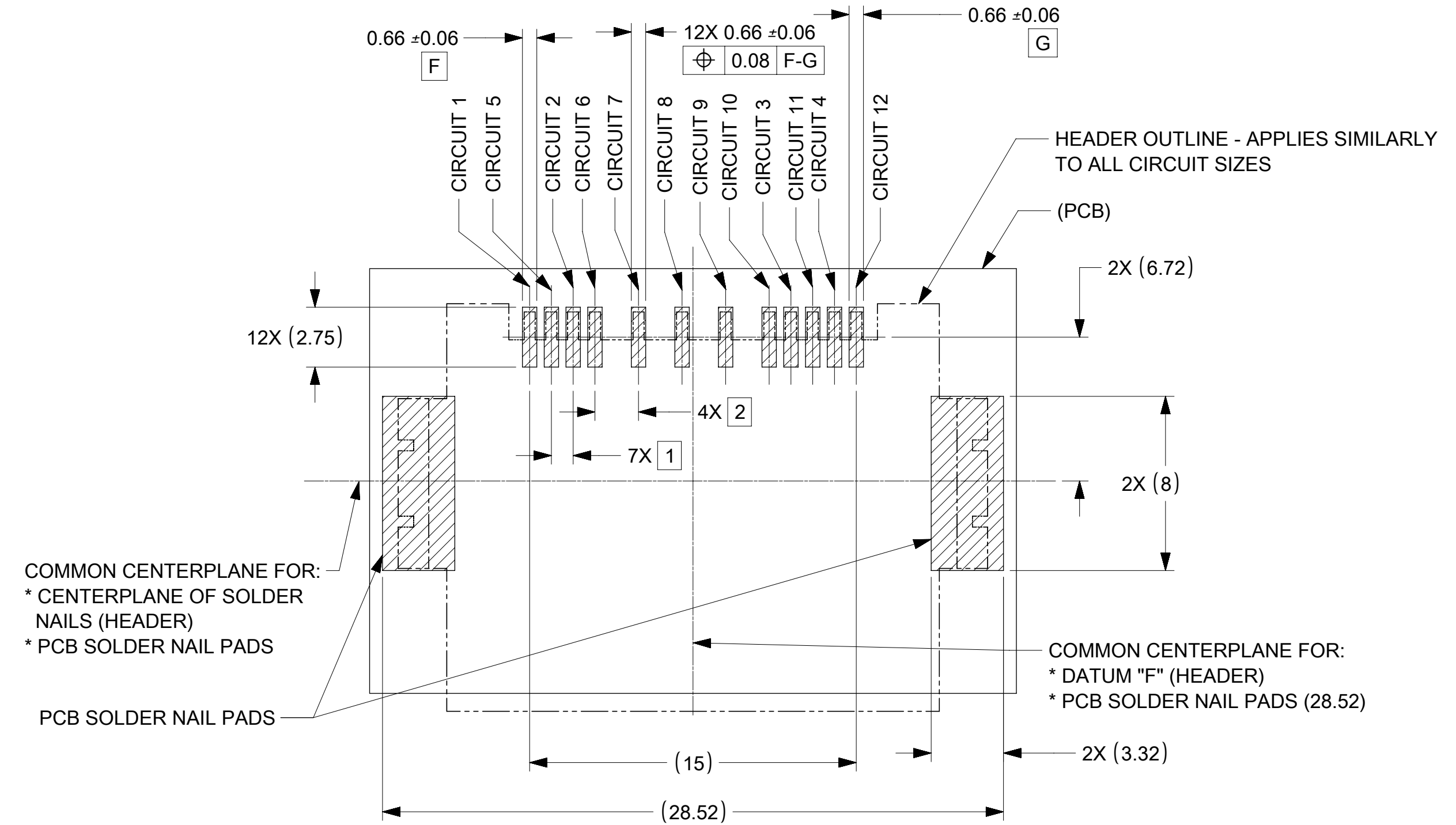
*POST REFLOW MINIMUM MEASURED FROM DATUM PADS IN LOWER LEFT AND RIGHT CORNERS TO DATUM TARGETS B3 AND B4.

QUALITY SYMBOLS F = 0 F = 0 F = 0 F = 0 C = 0 C = 0 C = 0 W7	THIS DRAWING CONTAINS INFORMATION THAT IS PROPRIETARY TO MOLEX ELECTRONIC TECHNOLOGIES, LLC AND SHOULD NOT BE USED WITHOUT WRITTEN PERMISSION		DIMENSION UNITS MM ONLY	SCALE 5:1			
	GENERAL TOLERANCES (UNLESS SPECIFIED) ANGULAR TOL ± 1.0 ° 4 PLACES ± 3 PLACES ± 2 PLACES ± 0.1 1 PLACE ± 0.2 0 PLACES ± DRAFT WHERE APPLICABLE MUST REMAIN WITHIN DIMENSIONS		DRWN BY TMACHUGA	DATE 2011/11/23		MINI 50 DUAL ROW SMT HEADER ASSEMBLY SALES DRAWING PRODUCT CUSTOMER DRAWING	
	EC NO: 624745 DRWN: SRUSS CHKD: JDUNAJ REV APPR: JDUNAJ		APPR BY SMARCEAU	DATE 2011/12/19			SERIES 34897
	DRAWING SIZE D		THIRD ANGLE PROJECTION	MATERIAL NUMBER SEE CHART			CUSTOMER GENERAL MARKET
RELEASE STATUS	RELEASE DATE	DOCUMENT NUMBER SD-34897-001	DOC TYPE PSD	DOC PART 000	SHEET NUMBER 2 OF 5		

BEFORE REFLOW SOLDERING
TEMPERATURE EXPOSURE

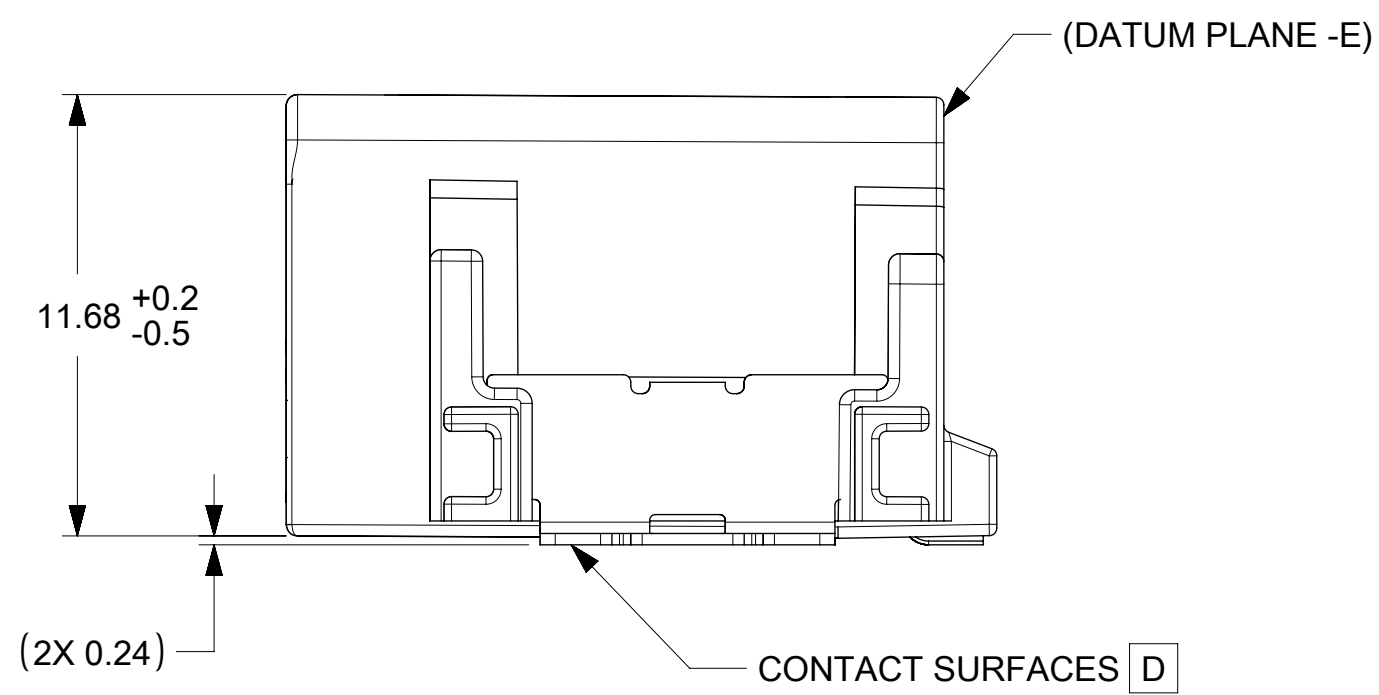


12 CKT SMT USCAR HEADER (BOTTOM VIEW)
(OTHER CIRCUIT SIZES ARE SIMILAR)



12 CKT PCB LAYOUT

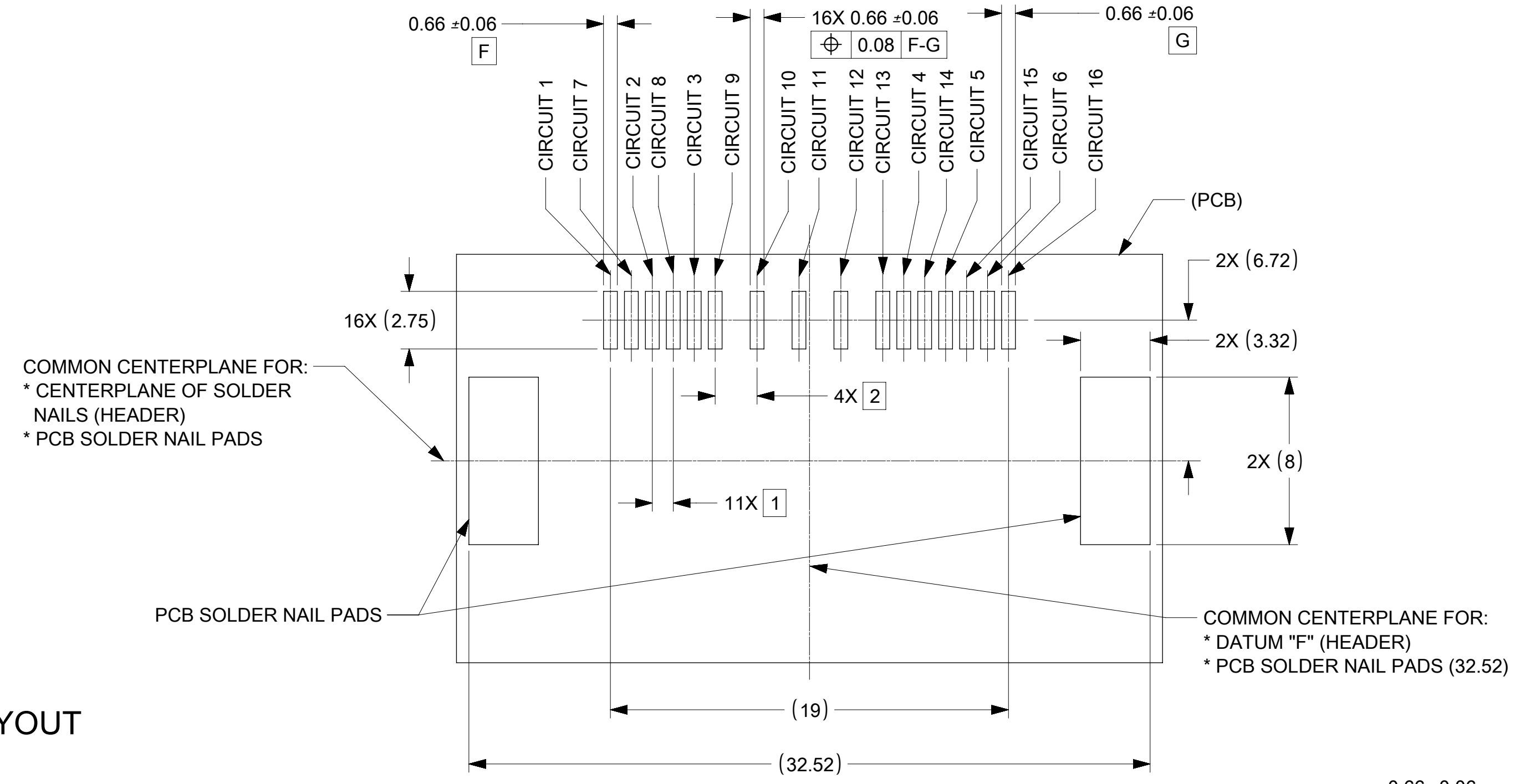
AFTER REFLOW SOLDERING
TEMPERATURE EXPOSURE



NOTE:
CONTACTS PER CKT:
12 CKT - 14 CONTACTS
16 CKT - 18 CONTACTS
20 CKT - 22 CONTACTS
24 CKT - 26 CONTACTS

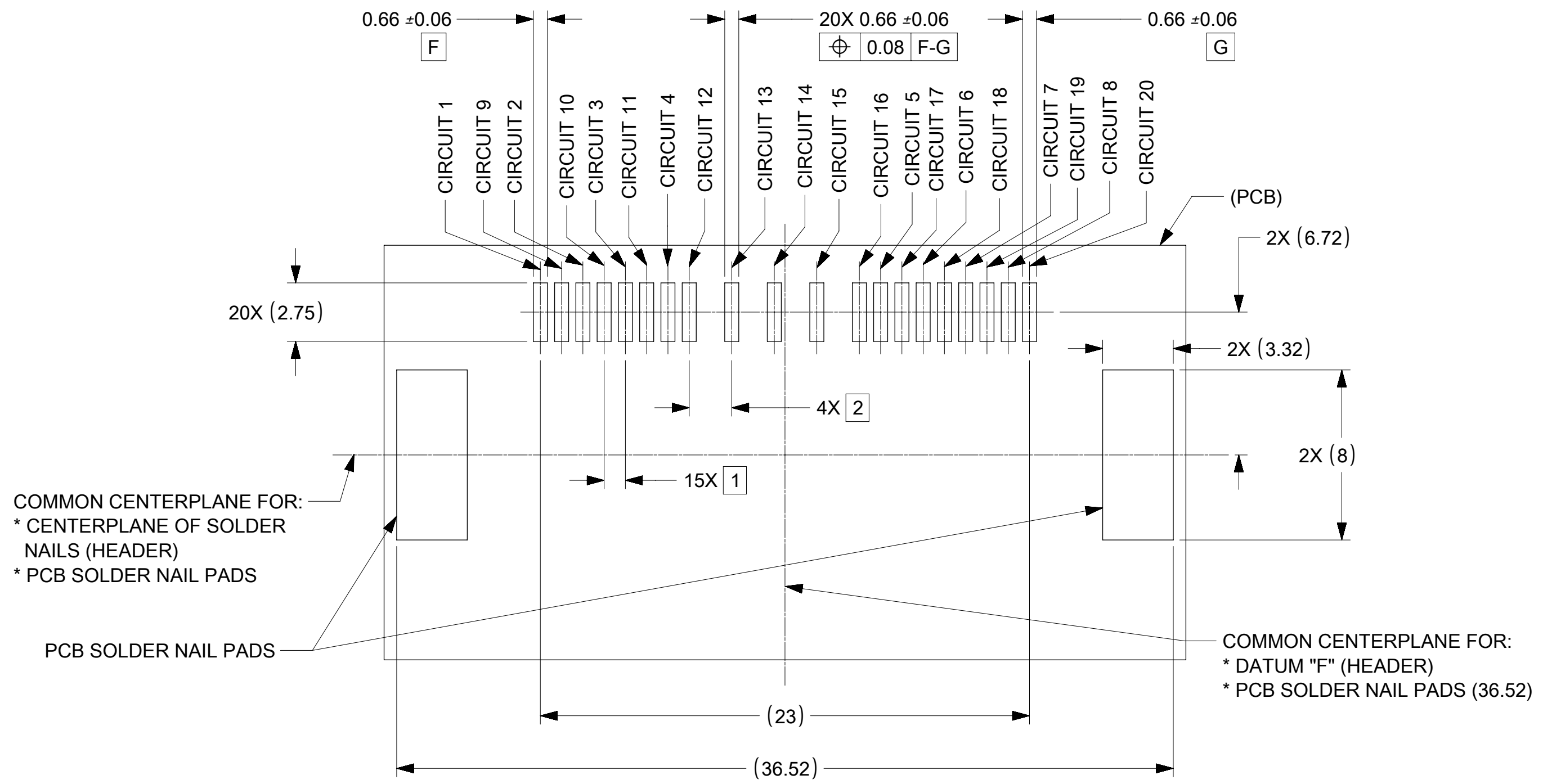
THIS DRAWING CONTAINS INFORMATION THAT IS PROPRIETARY TO MOLEX ELECTRONIC TECHNOLOGIES, LLC AND SHOULD NOT BE USED WITHOUT WRITTEN PERMISSION											
QUALITY SYMBOLS		GENERAL TOLERANCES (UNLESS SPECIFIED)				DIMENSION UNITS		SCALE			
F = 0 F = 0 F = 0 ▽ = 0 C = 0 ⊠ = 0 ■ = 0 ▽ = 0		ANGULAR TOL ± 1.0 ° 4 PLACES ± 3 PLACES ± 2 PLACES ± 0.1 1 PLACE ± 0.2 0 PLACES ± DRAFT WHERE APPLICABLE MUST REMAIN WITHIN DIMENSIONS				MM ONLY		5:1			
EC NO: 624745 DRWN: SRUSS CHKD: JDUNAJ REV APPR: JDUNAJ		2019/09/11 2019/09/26 2019/09/26		DRWN BY: TMACHUGA CHKD BY:		DATE: 2011/11/23		DATE: 2011/12/19		PRODUCT CUSTOMER DRAWING	
RELEASE STATUS RELEASE DATE		SERIES: 34897 MATERIAL NUMBER: SEE CHART CUSTOMER: GENERAL MARKET		DOCUMENT NUMBER: SD-34897-001 DOC TYPE: PSD DOC PART: 000 SHEET NUMBER: 3 OF 5		DRAWING SIZE: D THIRD ANGLE PROJECTION		DIMENSION UNITS: MM ONLY		SCALE: 5:1	

16 CKT PCB LAYOUT

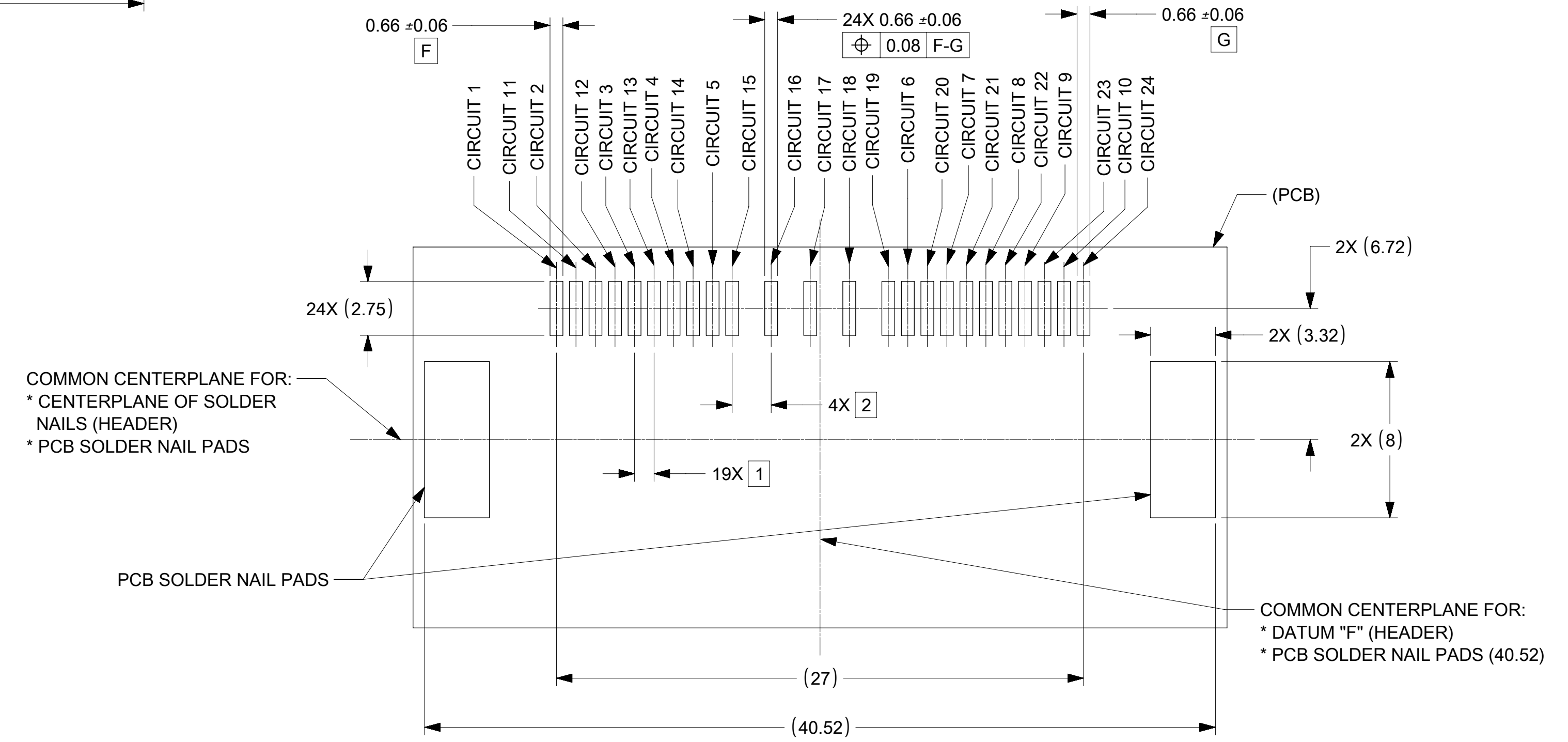


RECOMMENDED PCB LAYOUT:

20 CKT PCB LAYOUT



24 CKT PCB LAYOUT



QUALITY SYMBOLS F = 0 F = 0 F = 0 ▽ = 0 C = 0 ⊠ = 0 ■ = 0 ▽ = 0	THIS DRAWING CONTAINS INFORMATION THAT IS PROPRIETARY TO MOLEX ELECTRONIC TECHNOLOGIES, LLC AND SHOULD NOT BE USED WITHOUT WRITTEN PERMISSION				DIMENSION UNITS: MM ONLY SCALE: 5:1			
	GENERAL TOLERANCES (UNLESS SPECIFIED) ANGULAR TOL ± 1.0 °		DRWN BY: TMACHUGA DATE: 2011/11/23		PRODUCT CUSTOMER DRAWING			
	4 PLACES ± 3 PLACES ± 2 PLACES ± 0.1 1 PLACE ± 0.2 0 PLACES ±		CHKD BY: SMARCEAU DATE: 2011/12/19		SERIES: 34897 MATERIAL NUMBER: SEE CHART CUSTOMER: GENERAL MARKET			
	DRAFT WHERE APPLICABLE MUST REMAIN WITHIN DIMENSIONS		DRAWING SIZE: D THIRD ANGLE PROJECTION		DOCUMENT NUMBER: SD-34897-001 DOC TYPE: PSD DOC PART: 000 SHEET NUMBER: 4 OF 5			

MINI50 SMT DUAL ROW HEADER ASSEMBLIES

GOLD:

MATERIAL NUMBER		CONFIGURATION	CIRCUIT	POL	DEPOPULATED	VOIDED CKTS	COLOR	BLADE PLATING	MATING COMPONENT	
TUBE PACKAGING PK-31301-688	TAPE AND REEL PACKAGING PK-31301-786								UN-BRIDGED	BRIDGED
34897-5120	34897-6120	USCAR	12	A	NO	N/A	BLACK	GOLD	34824-0124	34824-1124
34897-5121	34897-6121	USCAR	12	B	NO	N/A	GRAY	GOLD	34824-0125	34824-1125
34897-5122	34897-6122	USCAR	12	C	NO	N/A	DARK GRAY	GOLD	34824-0126	34824-1126
34897-5160	34897-6160	USCAR	16	A	NO	N/A	BLACK	GOLD	34824-0164	34824-1164
34897-5161	34897-6161	USCAR	16	B	NO	N/A	GRAY	GOLD	34824-0165	34824-1165
34897-5162	34897-6162	USCAR	16	C	NO	N/A	DARK GRAY	GOLD	34824-0166	34824-1166
34897-5200	34897-6200	USCAR	20	A	NO	N/A	BLACK	GOLD	34824-0204	34824-1204
34897-5201	34897-6201	USCAR	20	B	NO	N/A	GRAY	GOLD	34824-0205	34824-1205
34897-5202	34897-6202	USCAR	20	C	NO	N/A	DARK GRAY	GOLD	34824-0206	34824-1206
34897-5240	34897-6240	USCAR	24	A	NO	N/A	BLACK	GOLD	34824-0244	34824-1244
34897-5241	34897-6241	USCAR	24	B	NO	N/A	GRAY	GOLD	34824-0245	34824-1245
34897-5242	34897-6242	USCAR	24	C	NO	N/A	DARK GRAY	GOLD	34824-0246	34824-1246

TIN:

MATERIAL NUMBER		CONFIGURATION	CIRCUIT	POL	COLOR	BLADE PLATING	MATING COMPONENT	
TUBE PACKAGING PK-31301-688	TAPE AND REEL PACKAGING PK-31301-786						UN-BRIDGED	BRIDGED
34897-9120	34897-8120	USCAR	12	A	BLACK	TIN	34824-0124	34824-1124
34897-9121	34897-8121	USCAR	12	B	GRAY	TIN	34824-0125	34824-1125
34897-9122	34897-8122	USCAR	12	C	DARK GRAY	TIN	34824-0126	34824-1126
34897-9160	34897-8160	USCAR	16	A	BLACK	TIN	34824-0164	34824-1164
34897-9161	34897-8161	USCAR	16	B	GRAY	TIN	34824-0165	34824-1165
34897-9162	34897-8162	USCAR	16	C	DARK GRAY	TIN	34824-0166	34824-1166
34897-9200	34897-8200	USCAR	20	A	BLACK	TIN	34824-0204	34824-1204
34897-9201	34897-8201	USCAR	20	B	GRAY	TIN	34824-0205	34824-1205
34897-9202	34897-8202	USCAR	20	C	DARK GRAY	TIN	34824-0206	34824-1206
34897-9240	34897-8240	USCAR	24	A	BLACK	TIN	34824-0244	34824-1244
34897-9241	34897-8241	USCAR	24	B	GRAY	TIN	34824-0245	34824-1245
34897-9242	34897-8242	USCAR	24	C	DARK GRAY	TIN	34824-0246	34824-1246

QUALITY SYMBOLS 	THIS DRAWING CONTAINS INFORMATION THAT IS PROPRIETARY TO MOLEX ELECTRONIC TECHNOLOGIES, LLC AND SHOULD NOT BE USED WITHOUT WRITTEN PERMISSION										
	2019/09/11 2019/09/26 2019/09/26	GENERAL TOLERANCES (UNLESS SPECIFIED)		DIMENSION UNITS	SCALE						
		ANGULAR TOL ± 1.0 °		MM ONLY	1:1						
		4 PLACES ±		DRWN BY	DATE						
	EC NO: 624745 DRWN: SRUSS CHKD: JDUNAJ REV APPR: JDUNAJ	3 PLACES ±		TMACHUGA	2011/11/23	MINI 50 DUAL ROW SMT HEADER ASSEMBLY SALES DRAWING					
		2 PLACES ± 0.1		CHKD BY	DATE						
		1 PLACE ± 0.2		APPR BY	DATE						
	0 PLACES ±		SMARCEAU	2011/12/19	PRODUCT CUSTOMER DRAWING						
	DRAFT WHERE APPLICABLE MUST REMAIN WITHIN DIMENSIONS		DRAWING SIZE	THIRD ANGLE PROJECTION							
			D								
W7		SERIES	MATERIAL NUMBER	CUSTOMER	34897 SEE CHART GENERAL MARKET						
		DOCUMENT NUMBER	DOC TYPE	DOC PART							SHEET NUMBER
		SD-34897-001		PSD	000	5 OF 5					