

342166-1 ✓ ACTIVE

PLASTI-GRIP

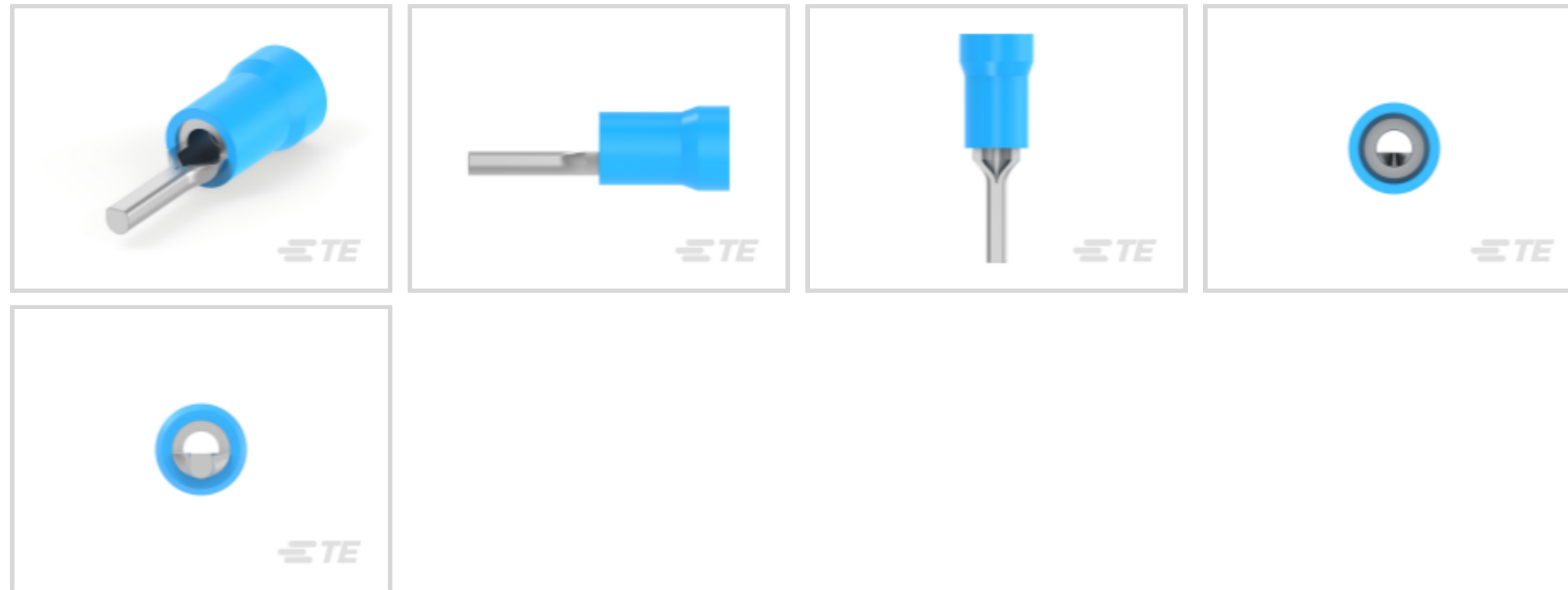
TE Internal #: 342166-1

Crimp Wire Pins, Tabs & Ferrules, Wire Pin, Pin Diameter 1.78 mm [.07 in], 17 – 13 AWG Wire Size, 1 – 2.5 mm<sup>2</sup> Wire Size, PLASTI-GRIP

[View on TE.com >](#)



Terminals & Splices > Crimp Wire Pins, Tabs & Ferrules



Crimp Wire Pin, Tab & Ferrule Terminal Type: **Wire Pin**

Pin Diameter: **1.78 mm [.07 in]**

Accepts Wire Insulation Diameter Range: **3 – 4.9 mm, 4.9 mm [.118 – .193 in, .193 in]**

Wire Size: **1 – 2.5 mm<sup>2</sup>**

### Features

#### Product Type Features

Sealable	No
Compatible With Discrete Wire Type	Solid, Stranded
Wire Insulation Support Retention Type	Insulation Support

#### Configuration Features

Compatible With Wire & Cable Type	Discrete Wire
-----------------------------------	---------------

#### Body Features

Insulation Sleeve Material	PVC
Double Wire	No

#### Contact Features

Crimp Wire Pin, Tab & Ferrule Terminal Type	Wire Pin
Barrel Type	Closed
Terminal Plating Material	Tin
Pin Type	Formed
Pin Style	Round
Terminal Orientation	Straight



### Termination Features

Bullet Terminal	Without
-----------------	---------

### Mechanical Attachment

Wire Insulation Support	With
-------------------------	------

### Dimensions

Pin Diameter	1.78 mm [.07 in]
Accepts Wire Insulation Diameter Range	3 – 4.9 mm, 4.9 mm [.118 – .193 in] [.193 in]
Wire Size	2050 – 5180 CMA
Terminal Material Thickness	.79 mm [.031 in]
Overall Product Length	20.57 mm [.81 in]

### Usage Conditions

Insulation Option	Partially Insulated
Operating Temperature Range	105 °C [221 °F]

### Operation/Application

Heavy Duty	No
------------	----

### Packaging Features

Packaging Method	Loose Piece
------------------	-------------

### Other

Barrel Color	Blue
--------------	------

### Product Compliance

[For compliance documentation, visit the product page on TE.com>](#)

EU RoHS Directive 2011/65/EU	Compliant
EU ELV Directive 2000/53/EC	Compliant
China RoHS 2 Directive MIIT Order No 32, 2016	No Restricted Materials Above Threshold
EU REACH Regulation (EC) No. 1907/2006	Current ECHA Candidate List: JUNE 2022 (224) Candidate List Declared Against: JAN 2021 (211) SVHC > Threshold: Not Yet Reviewed
Halogen Content	Not Low Halogen - contains Br or Cl > 900 ppm.
Solder Process Capability	Not applicable for solder process capability

Product Compliance Disclaimer

This information is provided based on reasonable inquiry of our suppliers and represents our current actual knowledge based on the information they provided. This information is subject to change. The part numbers that TE has identified as EU RoHS compliant have a maximum concentration of 0.1% by weight in homogenous materials for lead, hexavalent chromium, mercury, PBB, PBDE, DBP, BBP, DEHP, DIBP, and 0.01% for cadmium, or qualify for an exemption to these limits as defined in the Annexes of Directive 2011/65/EU (RoHS2). Finished electrical and electronic equipment products will be CE marked as required by Directive 2011/65/EU. Components may not be CE marked. Additionally, the part numbers that TE has identified as EU ELV compliant have a maximum concentration of 0.1% by weight in homogenous materials for lead, hexavalent chromium, and mercury, and 0.01% for cadmium, or qualify for an exemption to these limits as defined in the Annexes of Directive 2000/53/EC (ELV). Regarding the REACH Regulation, the information TE provides on SVHC in articles for this part number is based on the latest European Chemicals Agency (ECHA) 'Guidance on requirements for substances in articles' posted at this URL: <https://echa.europa.eu/guidance-documents/guidance-on-reach>

## Compatible Parts



TE Part # 59824-1  
TETRA-CRIMP PIDG PG FASTON 22-10 ASSY



TE Part # 58433-3  
PRO CR ASSY, RBY IS9252



TE Part # 47387  
DAHT PG PIDG 20-14 ASSY



TE Part # 58423-1  
DIE, RBY IS9252



TE Part # 1SET191001R0000  
CRIMP-HT




TE Part # 1SET191002R0000  
TET CRIMP-HT



TE Part # 169404  
CERTI-LOK DIE


## Also in the Series | PLASTI-GRIP




Compression Connectors(3)



Crimp Wire Pins, Tabs & Ferrules(25)



Ring Terminals & Spade Terminals(537)

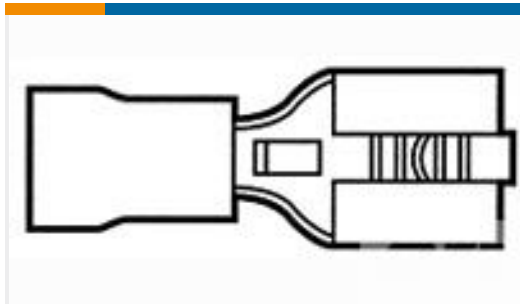


Special Purpose Terminals(1)



Splices(49)

## Customers Also Bought



TE Part #160314-2  
250 FASTON



TE Part #3-1622820-4  
3520 2R2 5%



TE Part #52291-1  
TERMINAL R PG 8 3/8



TE Part #53041  
TERMINAL,T-N R 8 8



TE Part #52264-1  
TERMINAL R PG 6 3/8



TE Part #53247-1  
TERMINAL,PG SPR SPD 12-10 8



TE Part #62050-2  
110 FASTON REC 20-16 AWG NPST



TE Part #53244-2  
TERMINAL,PG SPR SPD 16-14 8



TE Part #52963-5  
TERMINAL,PG SPR SPD 12-10 10



TE Part #53241-2  
PG SPR SPD 22-16COMM 22-18MIL8

## Documents

### Product Drawings

[16-14 F.E.P.G. WIRE PIN](#)

English

### CAD Files

[3D PDF](#)

3D

[Customer View Model](#)

[ENG\\_CVM\\_CVM\\_342166-1\\_S.2d\\_dxf.zip](#)



English

**Customer View Model**

[ENG\\_CVM\\_CVM\\_342166-1\\_S.3d\\_igs.zip](#)

English

**Customer View Model**

[ENG\\_CVM\\_CVM\\_342166-1\\_S.3d\\_stp.zip](#)

English

By downloading the CAD file I accept and agree to the [Terms and Conditions](#) of use.

---

## Datasheets & Catalog Pages

[RADIATION\\_RESISTANT\\_PRE-INSULATED\\_TERMINALS\\_SPLICES](#)

English

---

## Product Specifications

[Application Specification](#)

English