



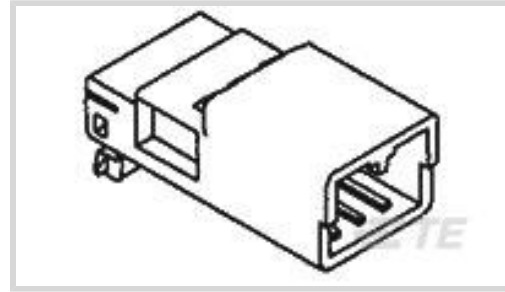
AMP | Multilock Connector System

TE Internal #: 345178-2

Housing for Male Terminals, Wire-to-Wire, 6 Position, .098 in [2.5 mm] Centerline, Black, Signal, Multilock Connector System

[View on TE.com >](#)

Connectors > Automotive Connectors > Connector Housings > MULTILOCK, CONNECTOR HOUSING



Connector & Housing Type: **Housing for Male Terminals**

Mating Tab Width: **1 mm [.039 in]**

Connector System: **Wire-to-Wire**

Number of Positions: **6**

Centerline (Pitch): **2.5 mm [.098 in]**

[All MULTILOCK, CONNECTOR HOUSING \(576\)](#)

Features

Product Type Features

Connector & Housing Shape	Rectangular
Connector & Housing Type	Housing for Male Terminals
Connector System	Wire-to-Wire
Sealable	No
Hybrid Connector	No
Primary Locking Feature	Integrated in Housing

Configuration Features

Number of Positions	6
Number of Rows	1

Body Features

Cable Exit Angle	180°
Body Material	PBT GF
Primary Product Color	Black

Contact Features

Contact Size	1mm
Contact Type	Tab
Mating Tab Width	1 mm[.039 in]



Mechanical Attachment

Mounting Feature	Without
Terminal Position Assurance	Yes
Mating Alignment Type	Polarized
Mating Alignment	With
Connector Mounting Type	Cable Mount (Free-Hanging)

Housing Features

Centerline (Pitch)	2.5 mm[.098 in]
--------------------	-----------------

Dimensions

Product Width	29.3 mm[1.154 in]
Product Length	19.1 mm[.752 in]
Product Height	11.7 mm[.461 in]

Operation/Application

Circuit Application	Signal
---------------------	--------

Packaging Features

Packaging Quantity	500
Packaging Method	Bag

Other

Serviceable	Yes
Connector Position Assurance Capable	No

Product Compliance

[For compliance documentation, visit the product page on TE.com>](#)

EU RoHS Directive 2011/65/EU	Compliant
EU ELV Directive 2000/53/EC	Compliant
China RoHS 2 Directive MIIT Order No 32, 2016	No Restricted Materials Above Threshold
EU REACH Regulation (EC) No. 1907/2006	Current ECHA Candidate List: JUNE 2022 (224) Candidate List Declared Against: JAN 2022 (223) SVHC > Threshold: Not Yet Reviewed
Halogen Content	Low Halogen - Br, Cl, F, I < 900 ppm per homogenous material. Also BFR/CFR/PVC Free

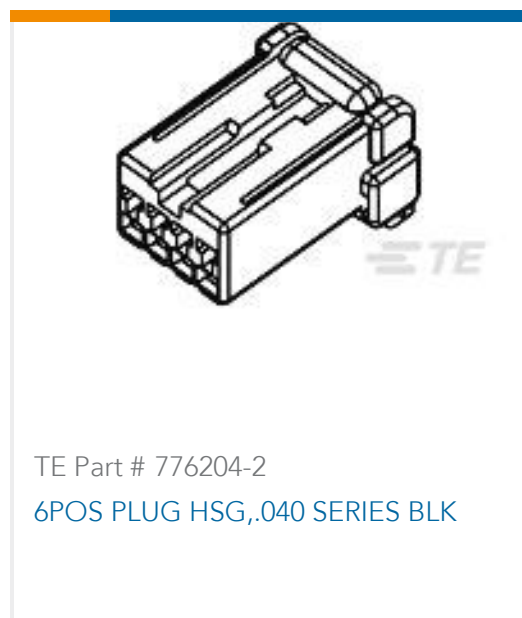
Solder Process Capability

Not applicable for solder process capability

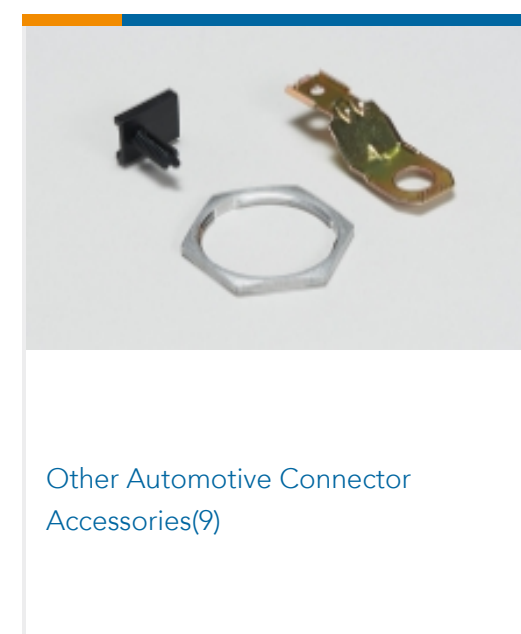
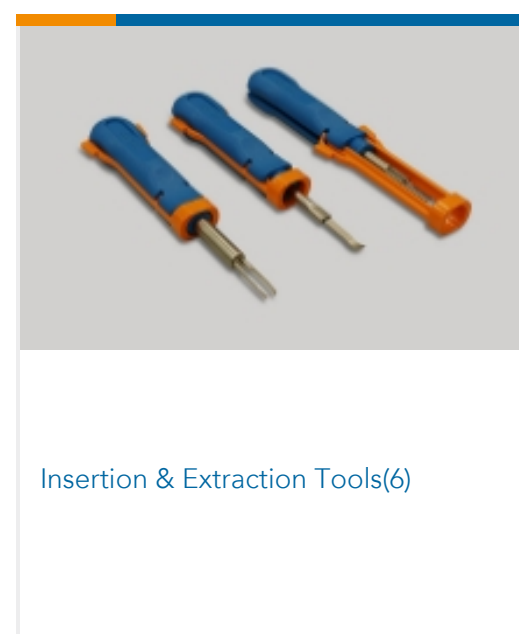
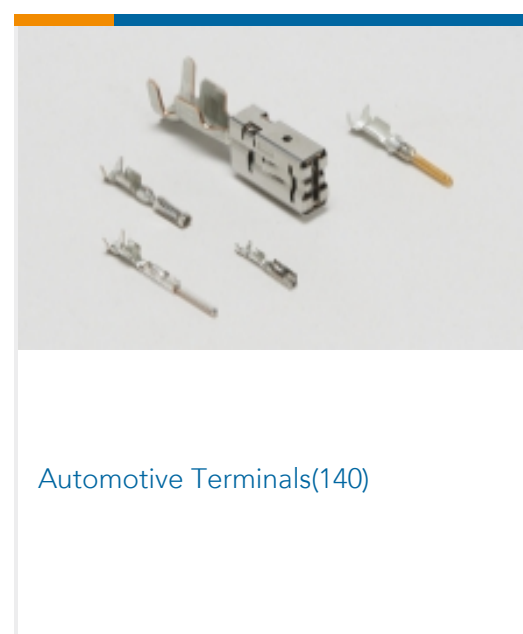
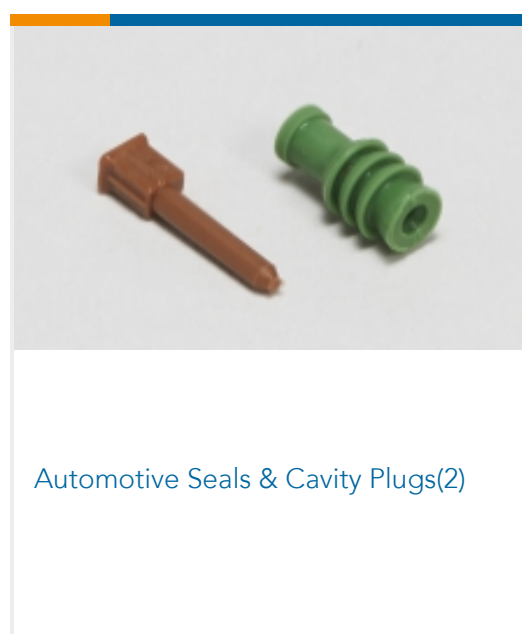
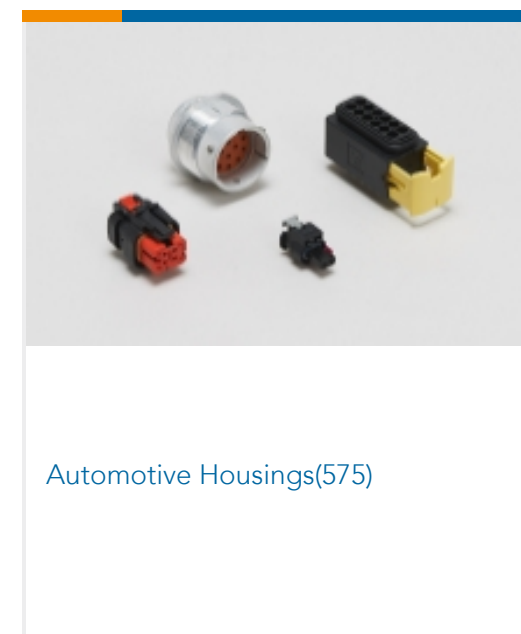
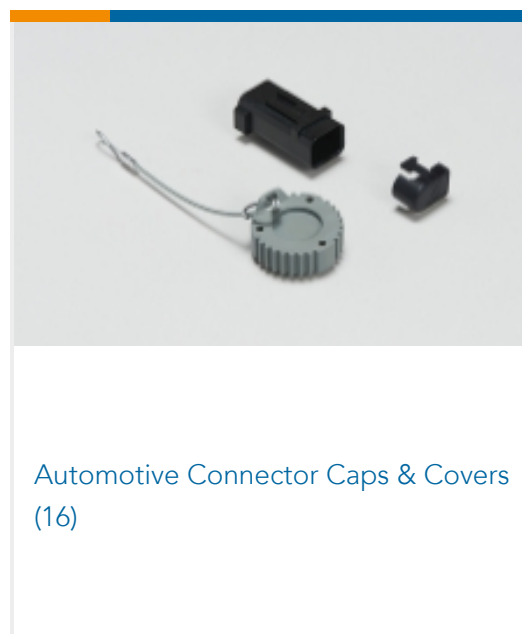
Product Compliance Disclaimer

This information is provided based on reasonable inquiry of our suppliers and represents our current actual knowledge based on the information they provided. This information is subject to change. The part numbers that TE has identified as EU RoHS compliant have a maximum concentration of 0.1% by weight in homogenous materials for lead, hexavalent chromium, mercury, PBB, PBDE, DBP, BBP, DEHP, DIBP, and 0.01% for cadmium, or qualify for an exemption to these limits as defined in the Annexes of Directive 2011/65/EU (RoHS2). Finished electrical and electronic equipment products will be CE marked as required by Directive 2011/65/EU. Components may not be CE marked. Additionally, the part numbers that TE has identified as EU ELV compliant have a maximum concentration of 0.1% by weight in homogenous materials for lead, hexavalent chromium, and mercury, and 0.01% for cadmium, or qualify for an exemption to these limits as defined in the Annexes of Directive 2000/53/EC (ELV). Regarding the REACH Regulation, the information TE provides on SVHC in articles for this part number is based on the latest European Chemicals Agency (ECHA) 'Guidance on requirements for substances in articles' posted at this URL: <https://echa.europa.eu/guidance-documents/guidance-on-reach>

Compatible Parts



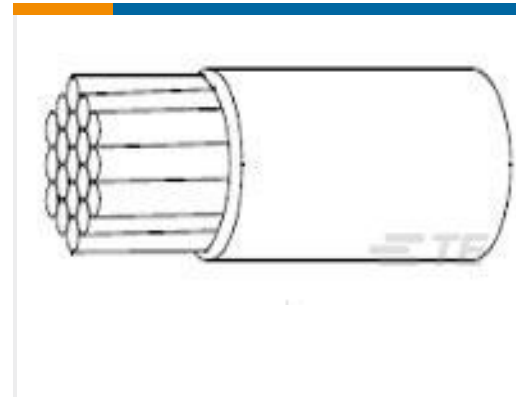
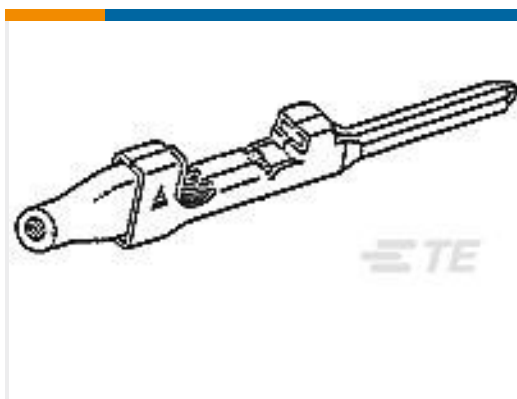
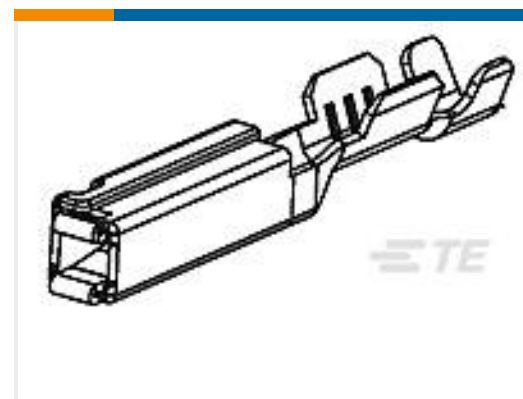
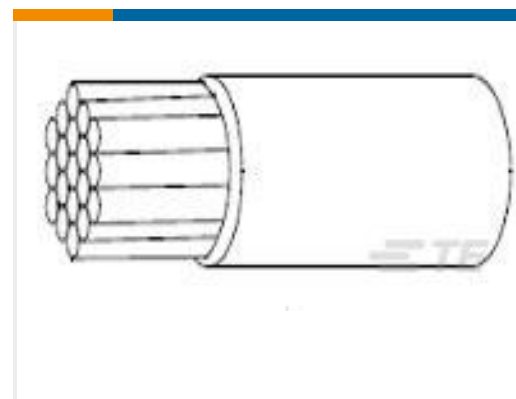
Also in the Series | Multilock Connector System





PCB Headers & Receptacles(129)

Customers Also Bought

TE Part #174966-2
MULTILOCK, CONNECTOR HOUSINGTE Part #794941-1
08P MINI UMNL CAP HSGTE Part #216010-000
55A0111-14-9TE Part #927770-3
JPT REC 2.8 Contact SWS SnTE Part #173682-1
040 MLC TAB CONTACTTE Part #1393364-1
V23540X7000Y10=GET-FEM TERM AUTE Part #216017-000
55A0111-14-2TE Part #NB3273-000
ES2000-NO.2-B9-0-COIL

Documents

Product Drawings

040 SERIES CAP HSG. 6 POSMULTI

English

CAD Files

Customer View Model

[ENG_CVM_345178-2_A.3d_igs.zip](#)

English

Customer View Model

[ENG_CVM_345178-2_A.3d_stp.zip](#)

English

Customer View Model

[ENG_CVM_345178-2_A.2d_dxf.zip](#)

English

3D PDF

English

By downloading the CAD file I accept and agree to the [Terms and Conditions](#) of use.

345178-2

Housing for Male Terminals, Wire-to-Wire, 6 Position, .098 in [2.5 mm] Centerline,
Black, Signal, Multilock Connector System



[Datasheets & Catalog Pages](#)

[MULTILOCK Connector System](#)

English