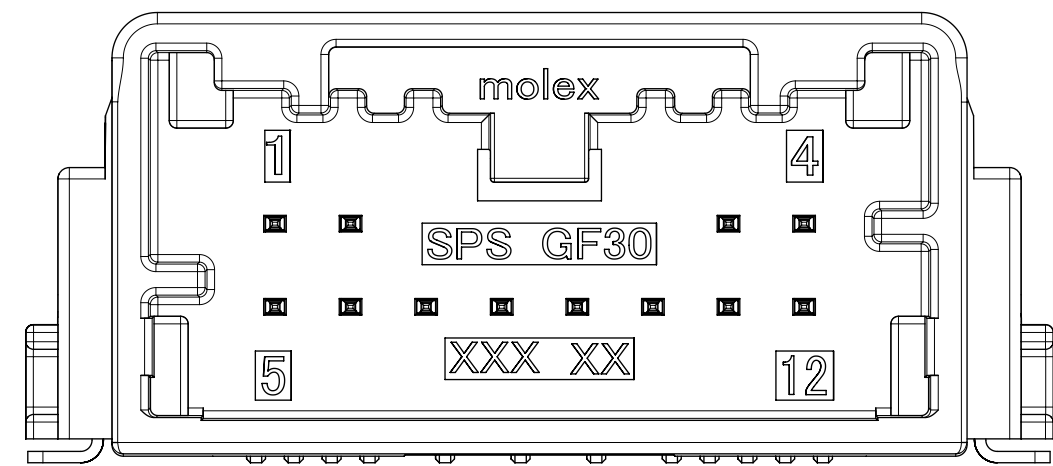
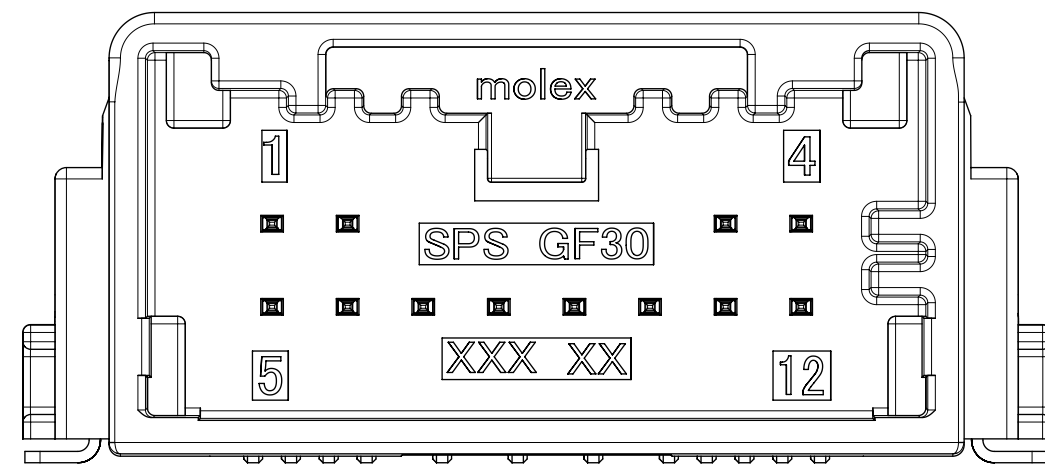


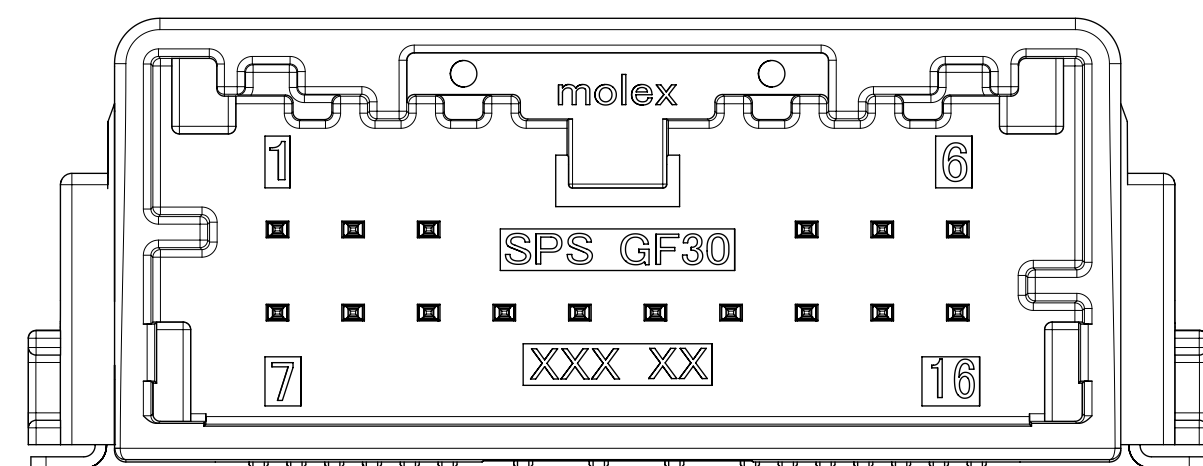
12 CIRCUIT SMT USCAR HEADER  
POLARIZATION OPTION A



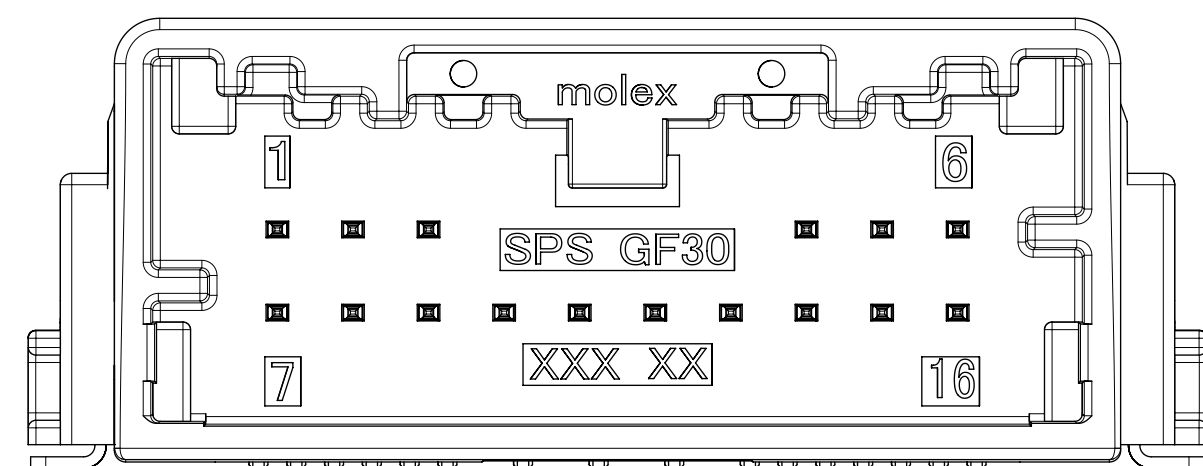
12 CIRCUIT SMT USCAR HEADER  
POLARIZATION OPTION B



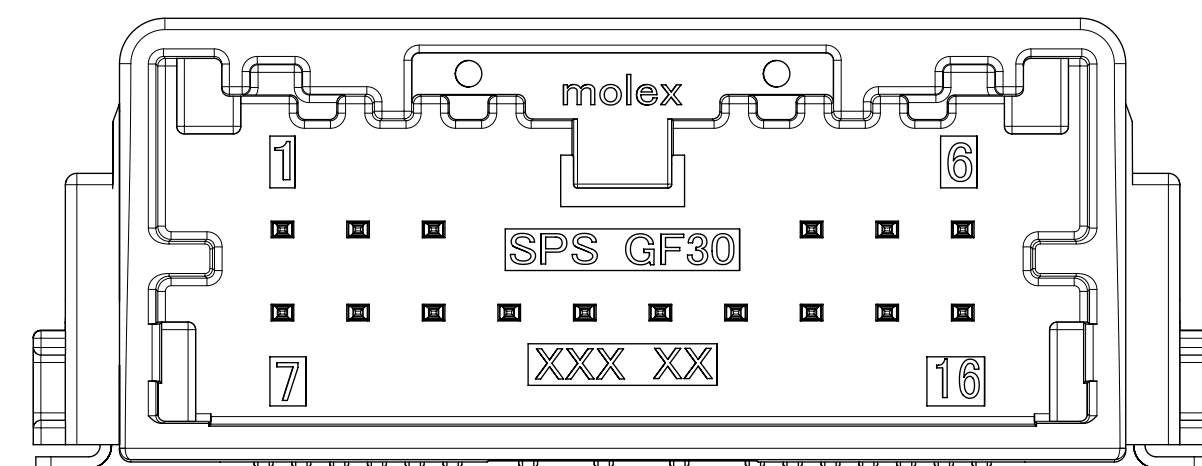
12 CIRCUIT SMT USCAR HEADER  
POLARIZATION OPTION C



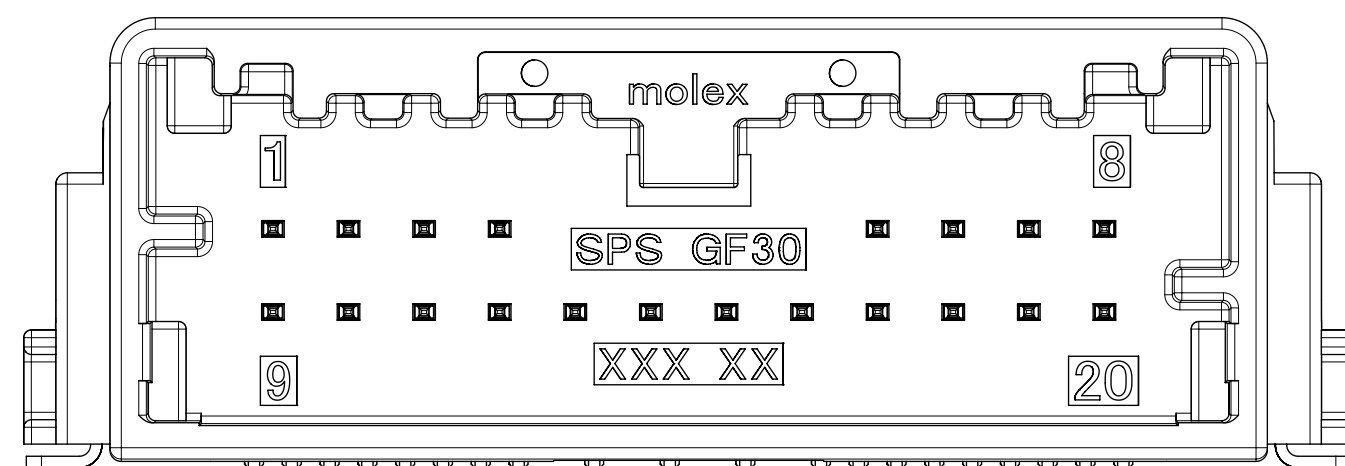
16 CIRCUIT SMT HEADER  
POLARIZATION OPTION A



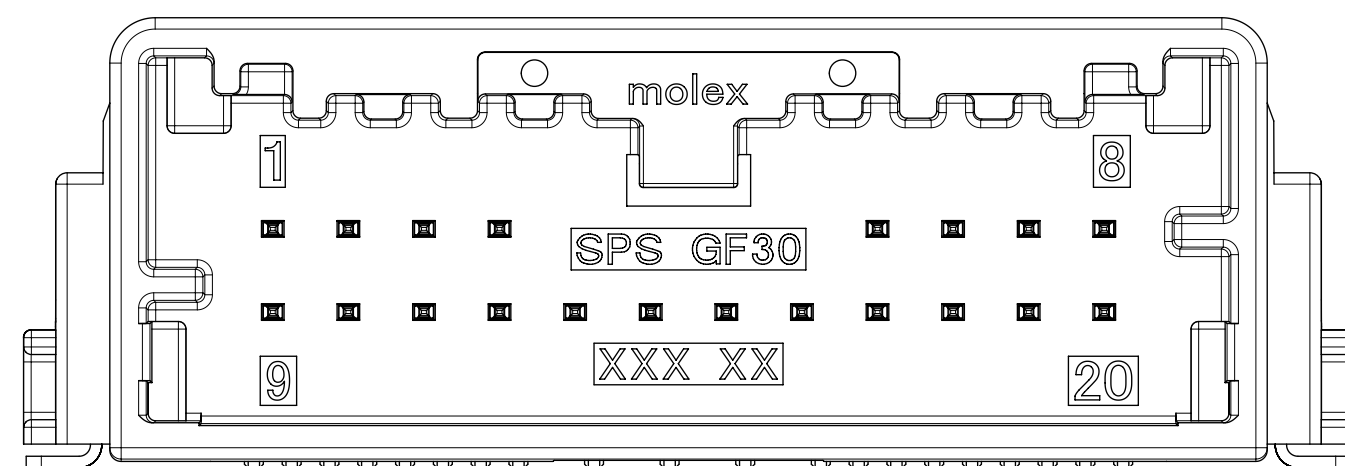
16 CIRCUIT SMT HEADER  
POLARIZATION OPTION B



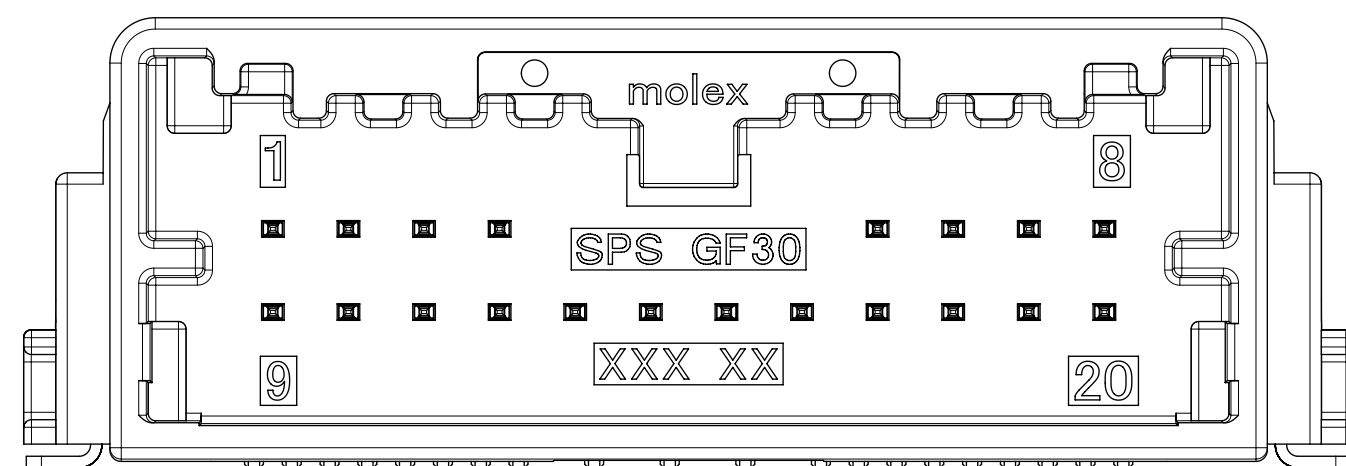
16 CIRCUIT SMT HEADER  
POLARIZATION OPTION C



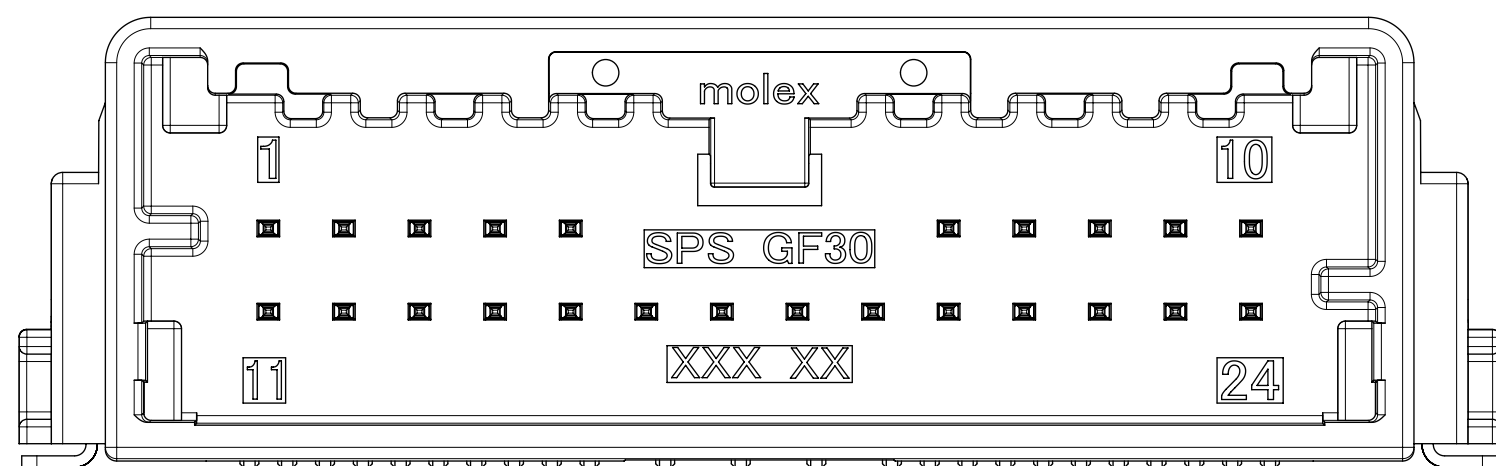
20 CIRCUIT SMT HEADER  
POLARIZATION OPTION A



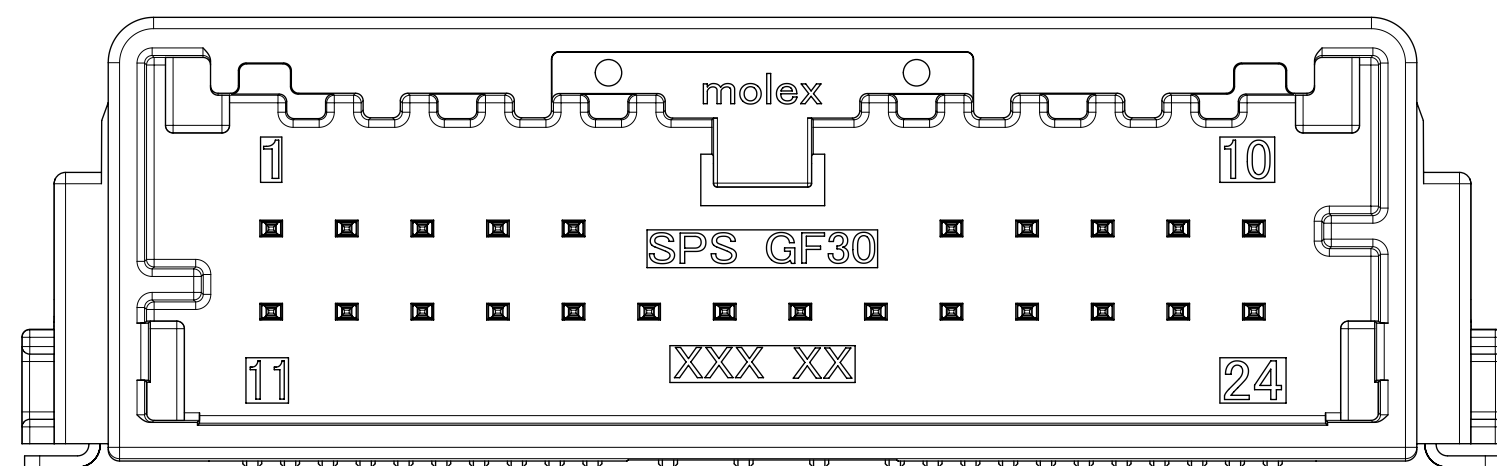
20 CIRCUIT SMT HEADER  
POLARIZATION OPTION B



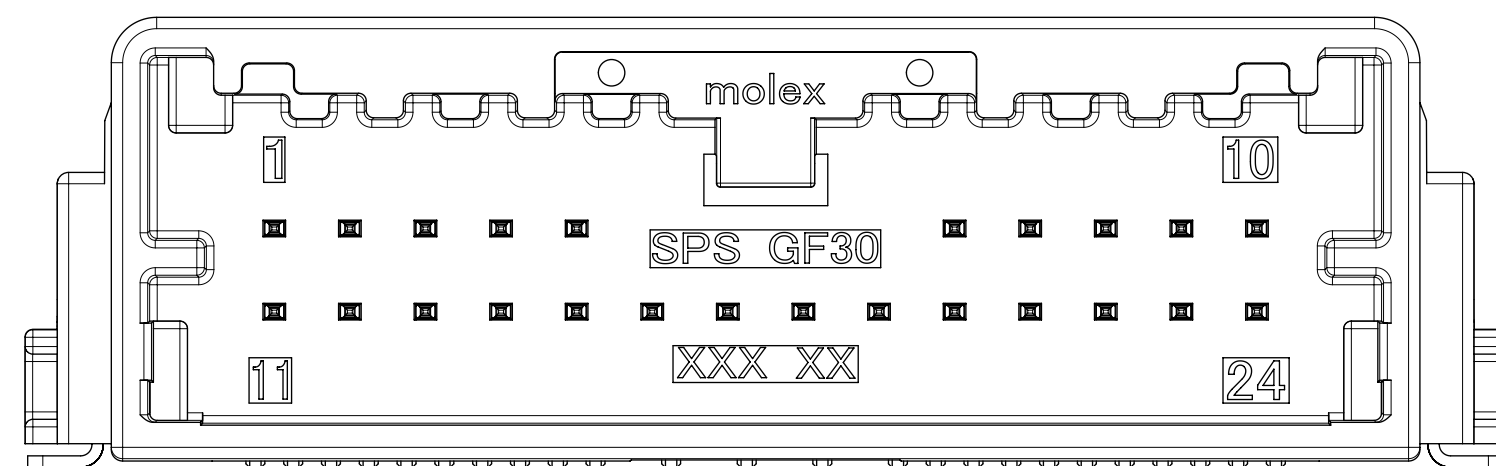
20 CIRCUIT SMT HEADER  
POLARIZATION OPTION C



24 CIRCUIT SMT HEADER  
POLARIZATION OPTION A



24 CIRCUIT SMT HEADER  
POLARIZATION OPTION B



24 CIRCUIT SMT HEADER  
POLARIZATION OPTION C

NOTES: VALID UNLESS OTHERWISE SPECIFIED

1. GENERAL:
  - a. APPLICATION SPECIFICATION SEE: AS-34791-020
  - b. PRODUCT SPECIFICATION SEE: PS-34791-020
  - c. PACKAGING SPECIFICATION PER MOLEX DRAWING: SEE CHART
  - d. SOLDERABILITY PER SMES-152
  - e. PARTS MUST BE IN COMPLIANCE TO MOLEX CHEMICAL SUBSTANCES FOR PRODUCTS AND PACKAGING SPECIFICATION: QEHS-699000-300
  - f. DATA MUST BE SUBMITTED UNDER THE MOLEX PART NUMBER TO IMDS (COMPANY ID#13255)
  - g. FLAMMABILITY REQUIREMENT: PER ISO3795 OR GM3191
  - h. VISUAL DEFECTS SHALL MEET COSMETIC STANDARD PS-45499-002 (Class B)

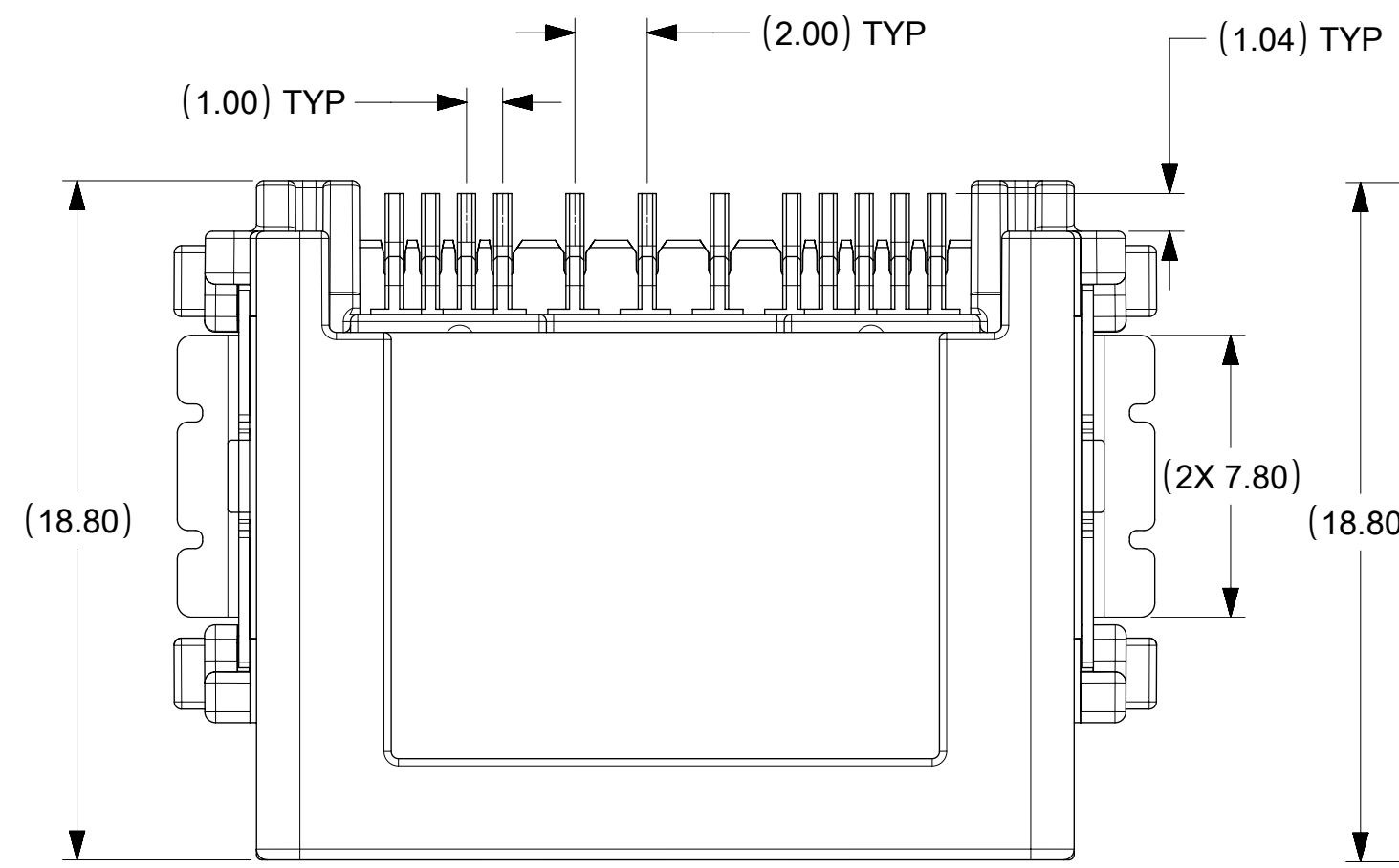
2. DESIGN - MATERIALS:
  - a. SHROUD (PLASTIC HOUSING): SPS 30% GF, 20% REGRIND MAX PER WEIGHT
  - b. BLADES:
    - BASE METAL: C260 BRASS
    - PLATING REQUIREMENTS:
      - TIN OVER NICKEL:
        - UNDERPLATING:
          - OVERALL NICKEL: 1.25 - 2.25 MICROMETERS THICKNESS
          - OVERPLATING:
            - OVERALL TIN: 2.5 - 4.0 MICROMETERS THICKNESS
      - GOLD:
        - UNDERPLATING:
          - OVERALL NICKEL: 1.25 - 2.25 MICROMETERS THICKNESS
          - OVERPLATING:
            - CONTACT AREA: ELECTRODEPOSITED GOLD
              - 0.76 MICROMETERS MINIMUM HARD GOLD
            - PCB CONTACT AREA: ELECTRODEPOSITED TIN MATTE FINISH
              - 2.5 - 4.0 MICROMETERS MINIMUM THICKNESS

3. DESIGN - GEOMETRY:
  - a. THIS IS A 100% CAD GENERATED PART. THE CAD MATHEMATICAL DATA IS THE MASTER FOR THIS PART. FOR DIMENSIONAL OR ANY INFORMATION NOT SHOWN ON THIS DRAWING, ANALYZE THE CAD MODEL.
  - b. GEOMETRIC DIMENSIONS AND TOLERANCES PER ASME Y14.5M - 2009
  - c. GENERAL TOLERANCES: SEE TITLE BLOCK
  - d. EDGES AND UNDIMENSIONED DETAILS PER ISO13715
  - e. CORNERS SHOWN AS SHARP TO BE R 0.1 MAX
  - f. LETTERING SHALL BE BELOW SURROUNDING SURFACE OF PART. THIS INCLUDES RECYCLING CODE, PLANT AND CAVITY ID, VENDOR ID, AND CIRCUIT ID.

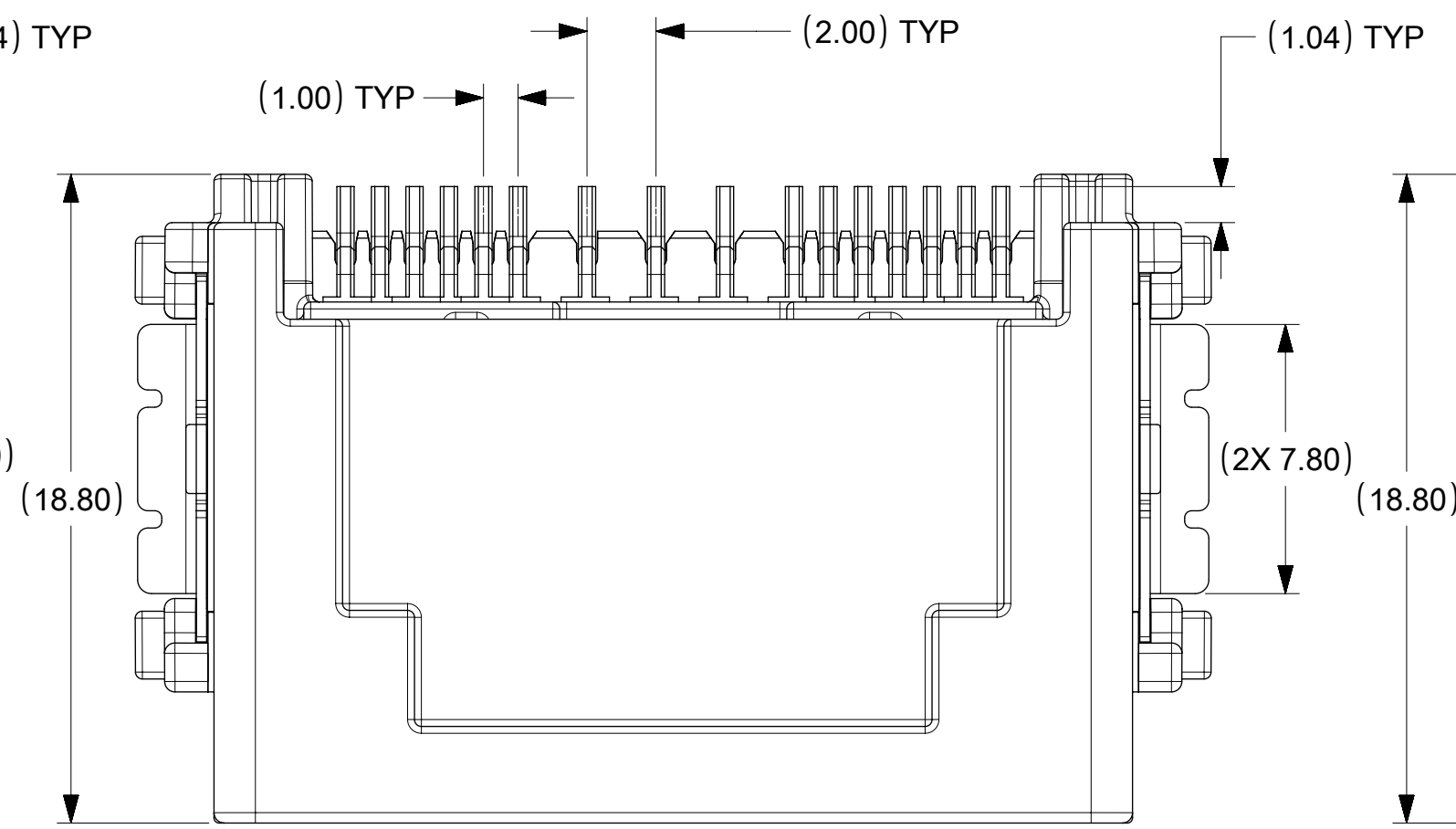
INSPECTION BALLOON NUMBER LOG	
PER DRAWING REVISION: W1	
LAST BALLOON USED: 14	
ADDED BALLOON NUMBERS:	
REMOVED BALLOON NUMBERS:	
W2	NX REMASTERING
REV	DESCRIPTION

QUALITY SYMBOLS ▽ = 0 ▽ = 0 ▽ = 0 ▽ = 0 ▽ = 0 ▽ = 0 ▽ = 0 ▽ = 0 ▽ = 0	THIS DRAWING CONTAINS INFORMATION THAT IS PROPRIETARY TO MOLEX ELECTRONIC TECHNOLOGIES, LLC AND SHOULD NOT BE USED WITHOUT WRITTEN PERMISSION		DIMENSION UNITS: MM ONLY SCALE: 5:1		<b>molex</b>  MINI 50 DUAL ROW SMT HEADER ASSEMBLY SALES DRAWING  PRODUCT CUSTOMER DRAWING
	EC NO: 119768 DRWN: SMAHESHBABU CHKD: TMACHUGA REV: APPR:	2017/07/24 2017/07/27	GENERAL TOLERANCES (UNLESS SPECIFIED) ANGULAR TOL ± 1.0 ° 4 PLACES ± 3 PLACES ± 2 PLACES ± 0.1 1 PLACE ± 0.2 0 PLACES ± DRAFT WHERE APPLICABLE MUST REMAIN WITHIN DIMENSIONS	DRWN BY: TMACHUGA DATE: 2011/11/23 CHKD BY: CHKD BY DATE: APPR BY: SMARCEAU DATE: 2011/12/19	
W2	DOCUMENT NUMBER: SD-34897-001 DOC TYPE: PSD DOC PART: 000 SHEET NUMBER: 1 OF 5				

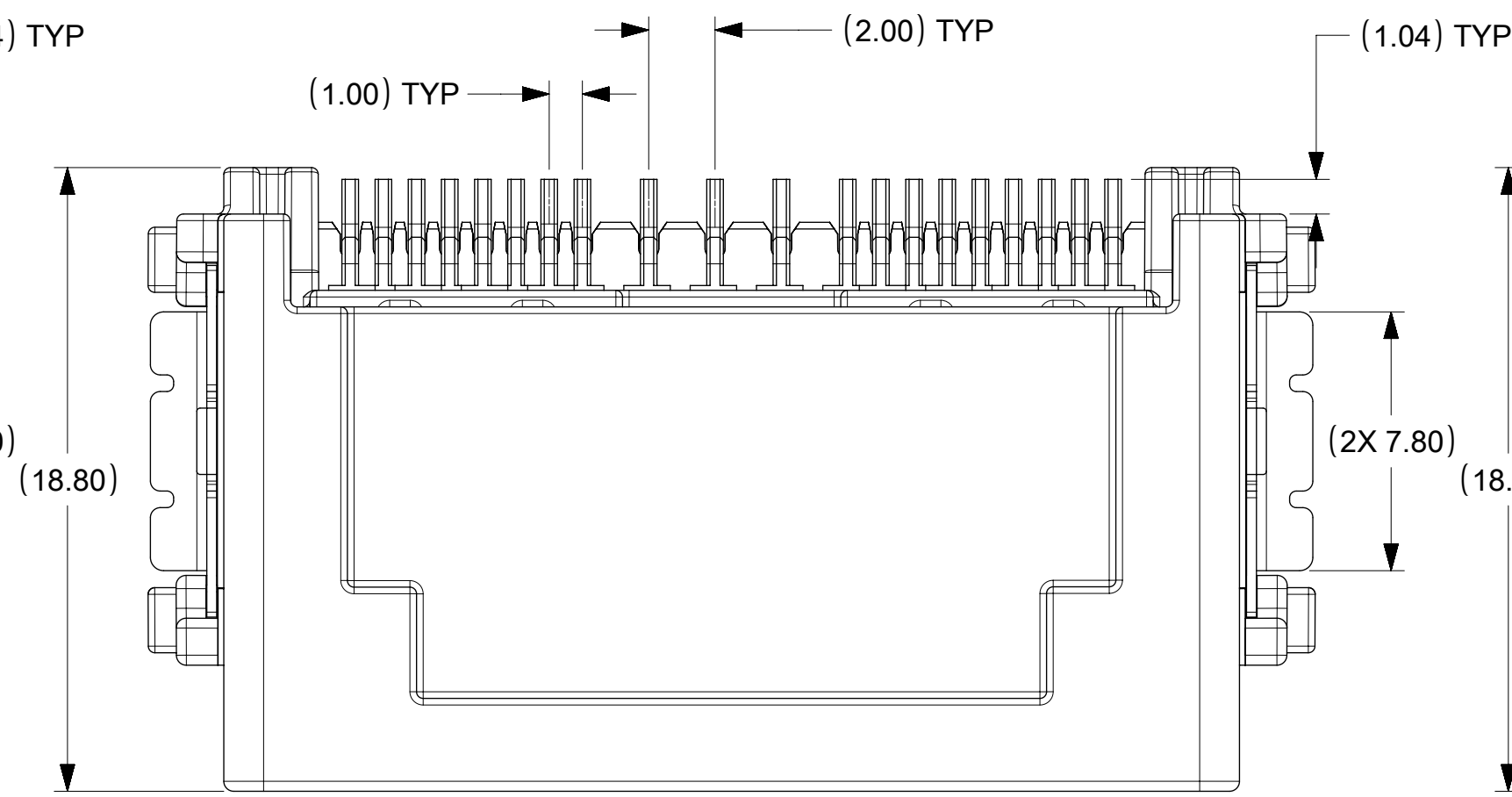
12 CKT SMT USCAR HEADER



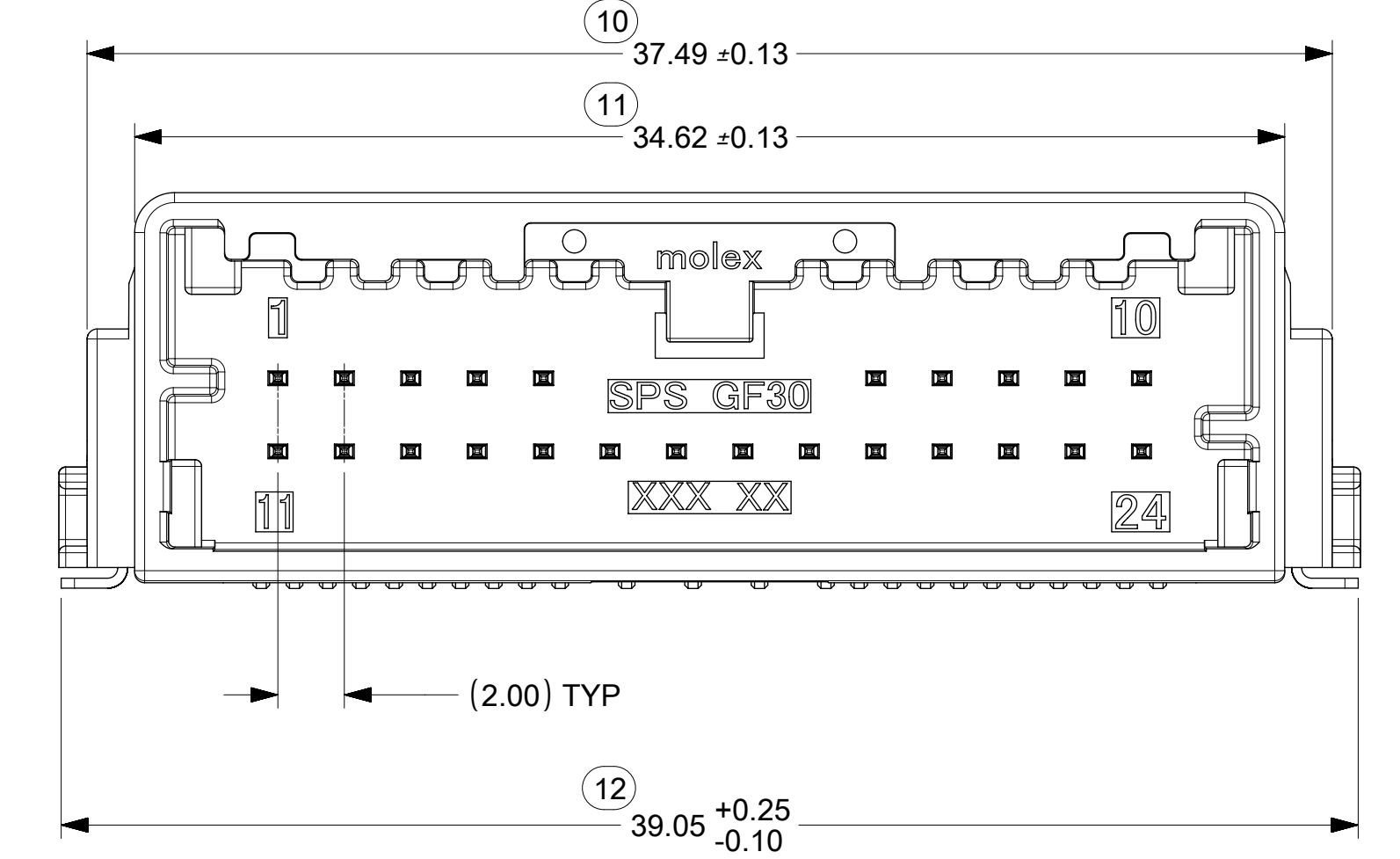
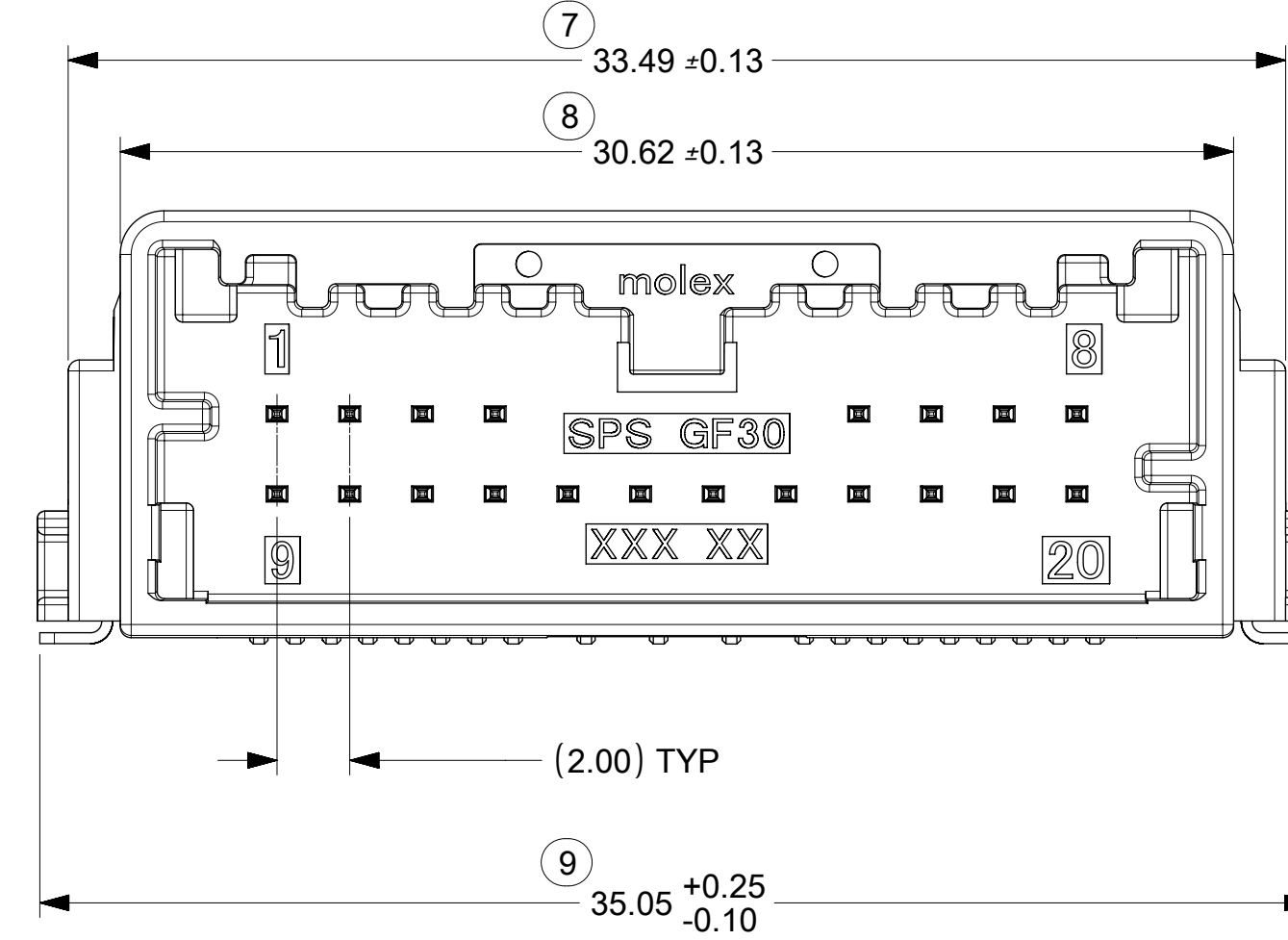
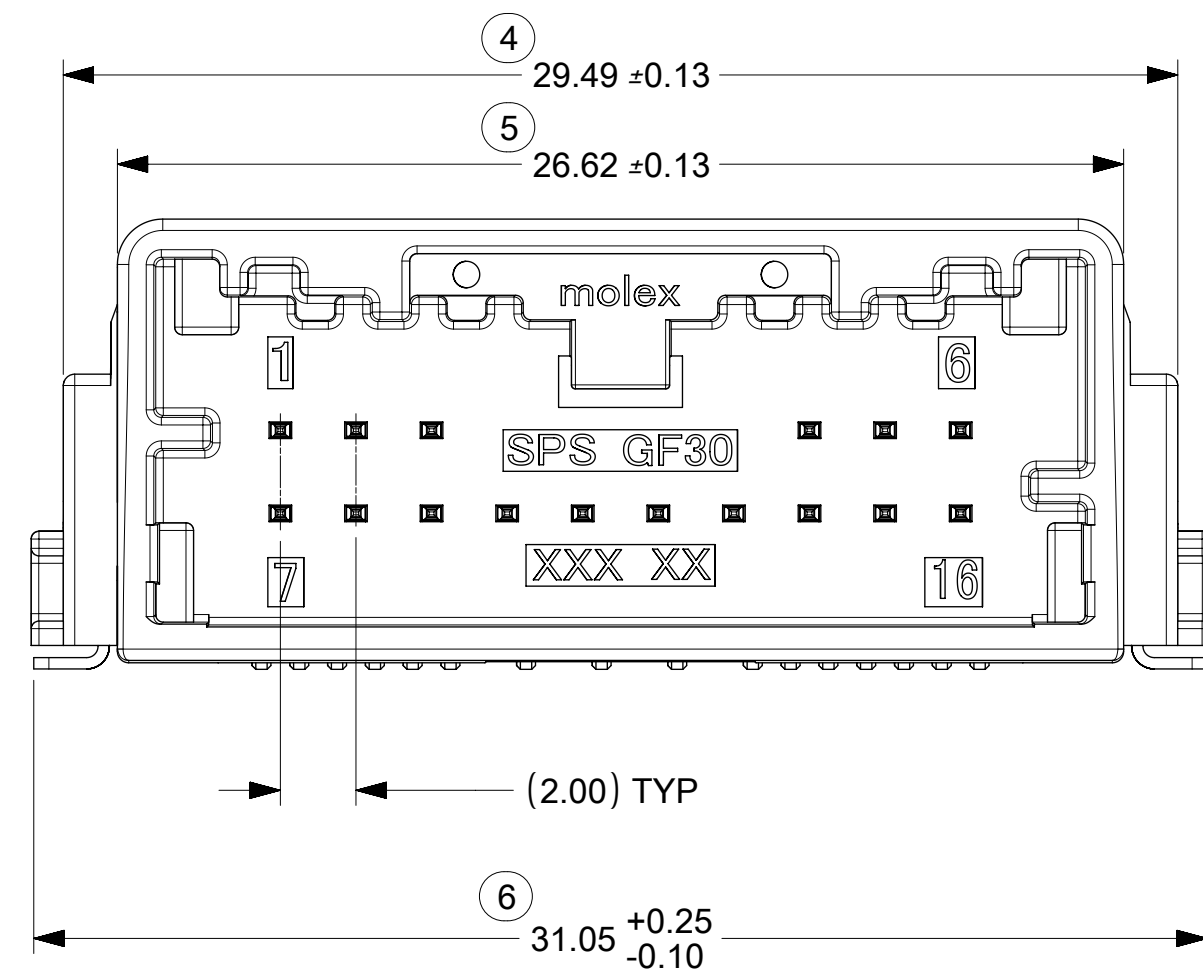
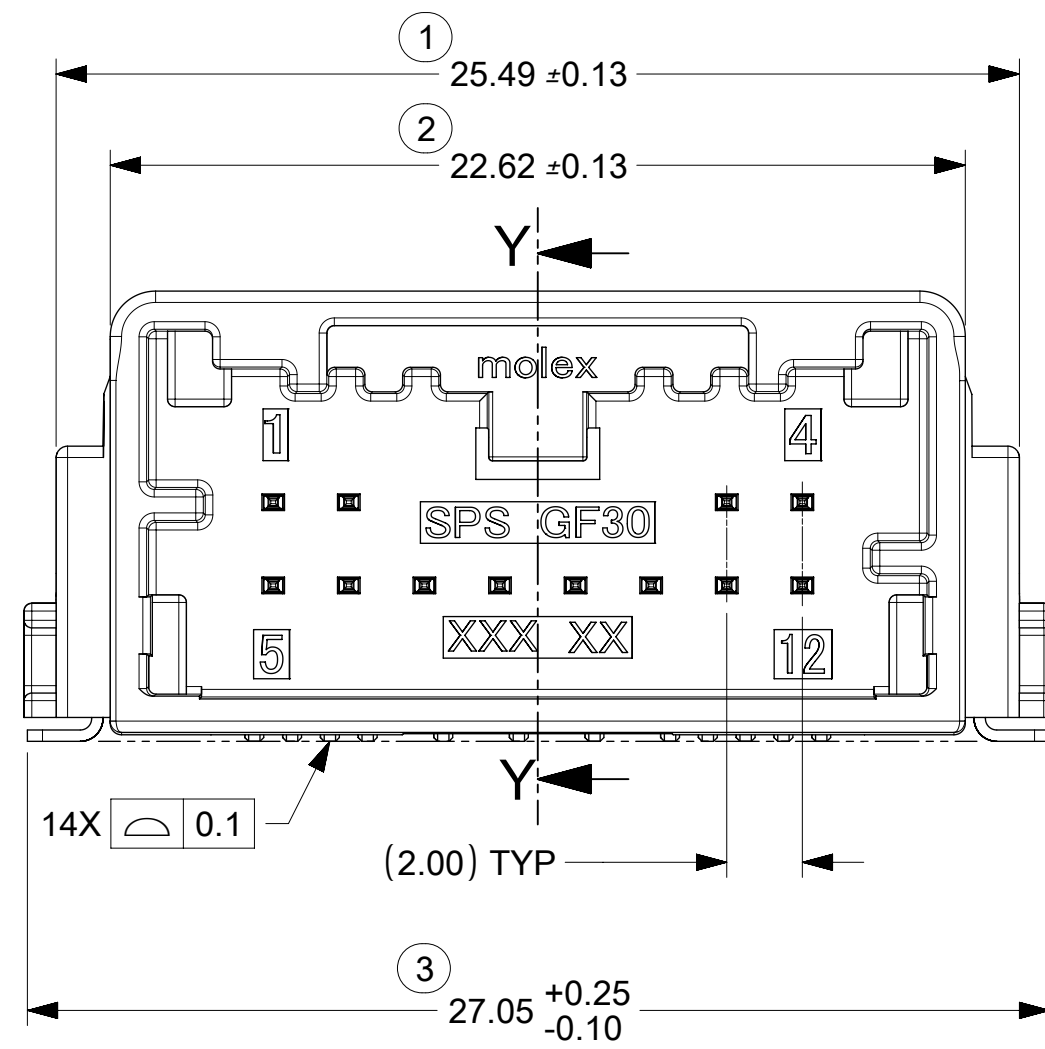
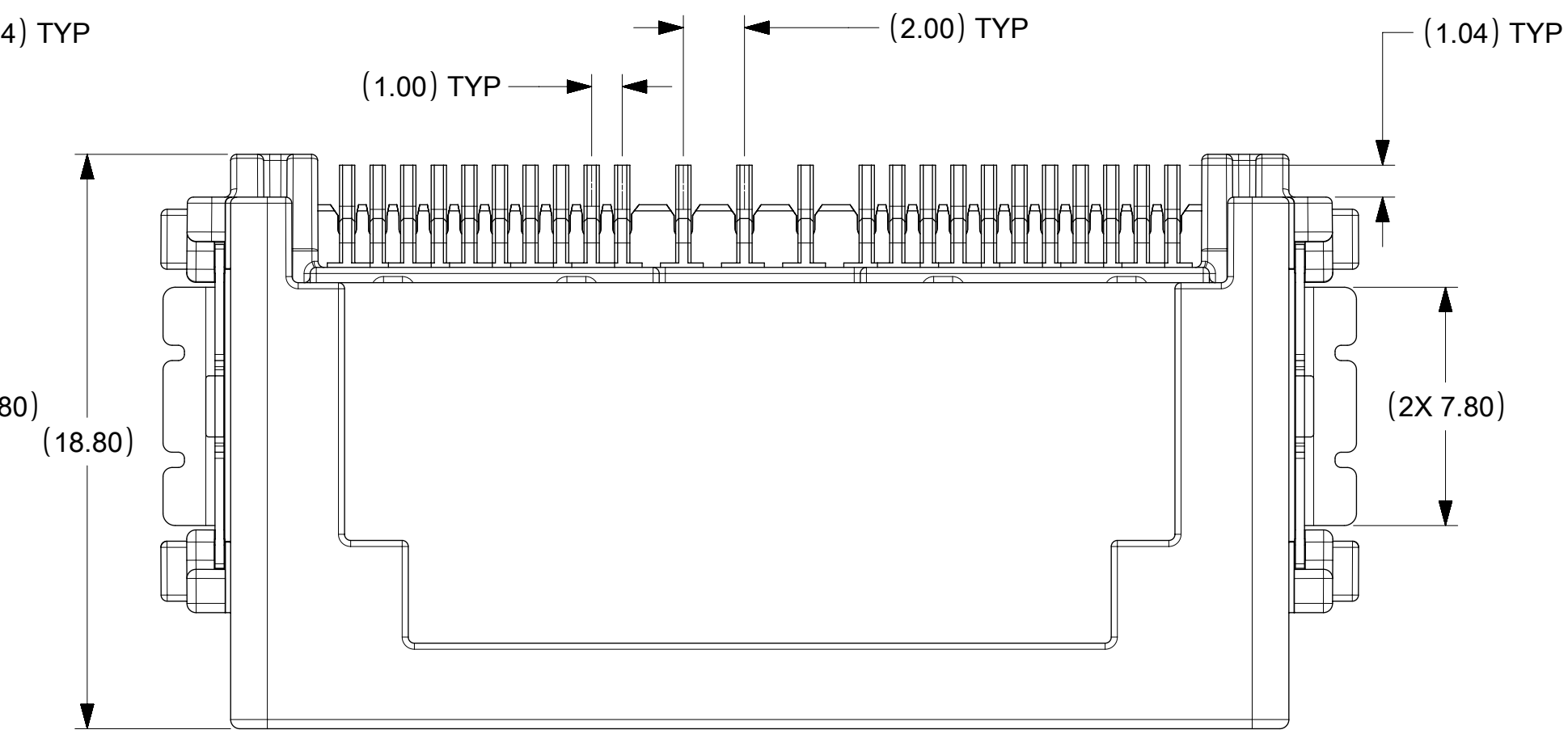
16 CKT SMT HEADER



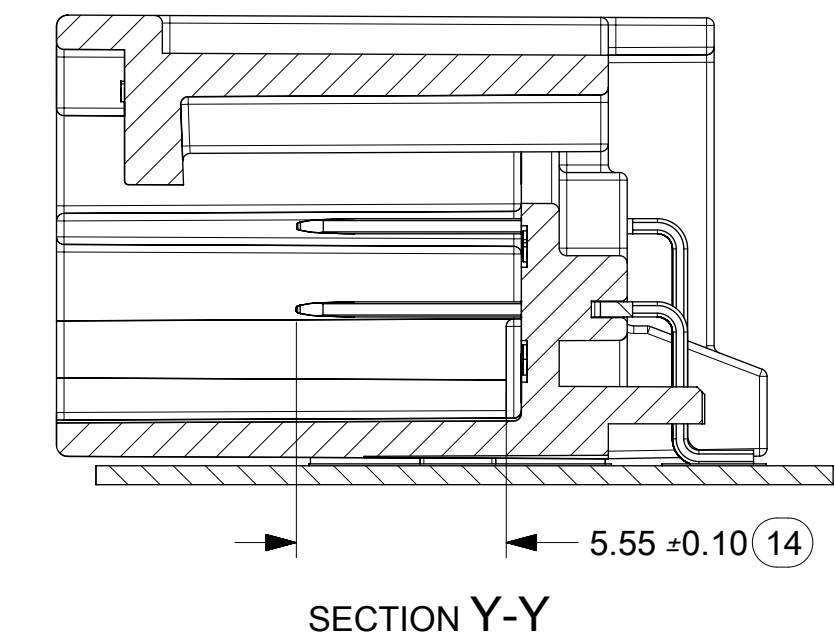
20 CKT SMT HEADER



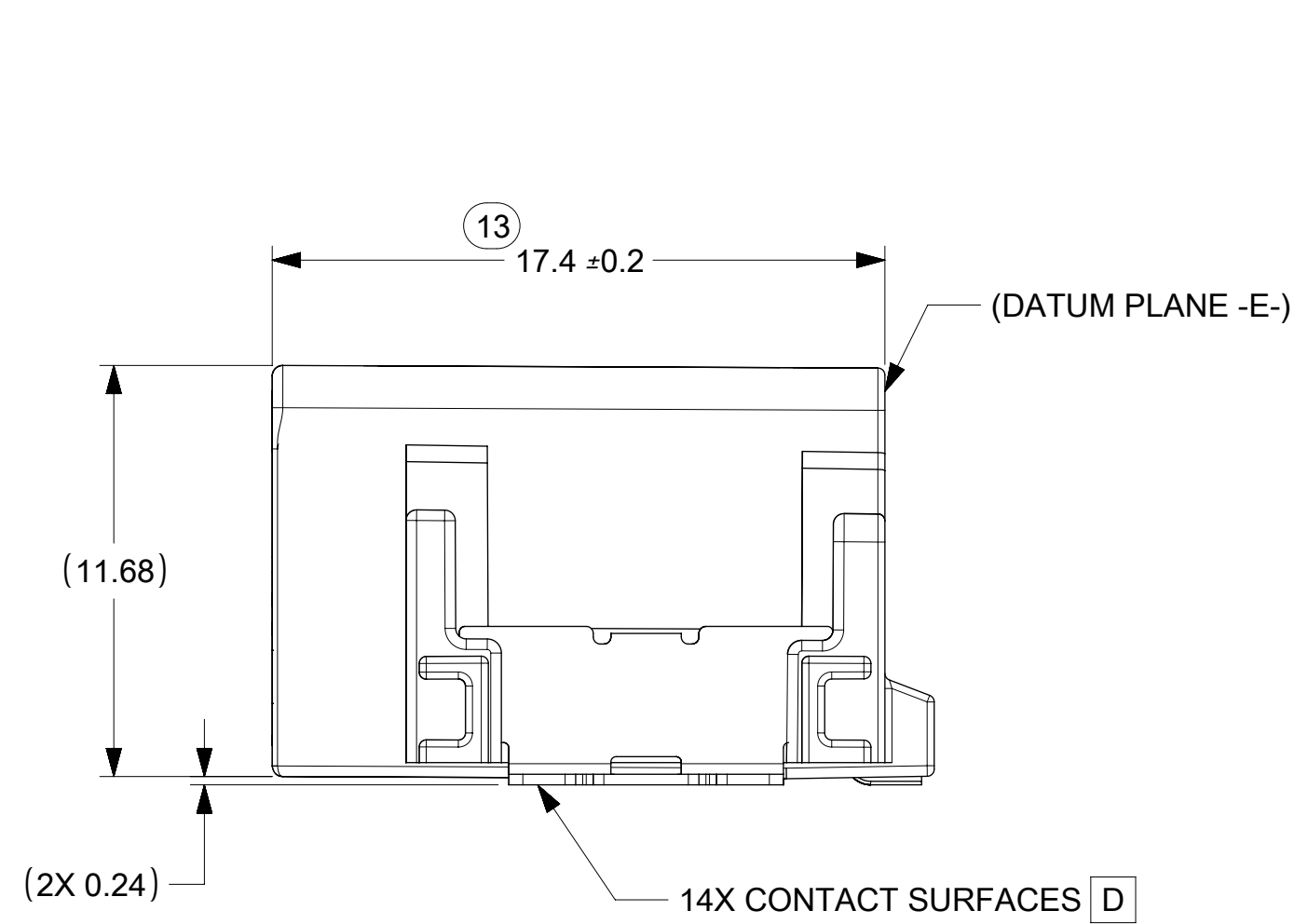
24 CKT SMT HEADER



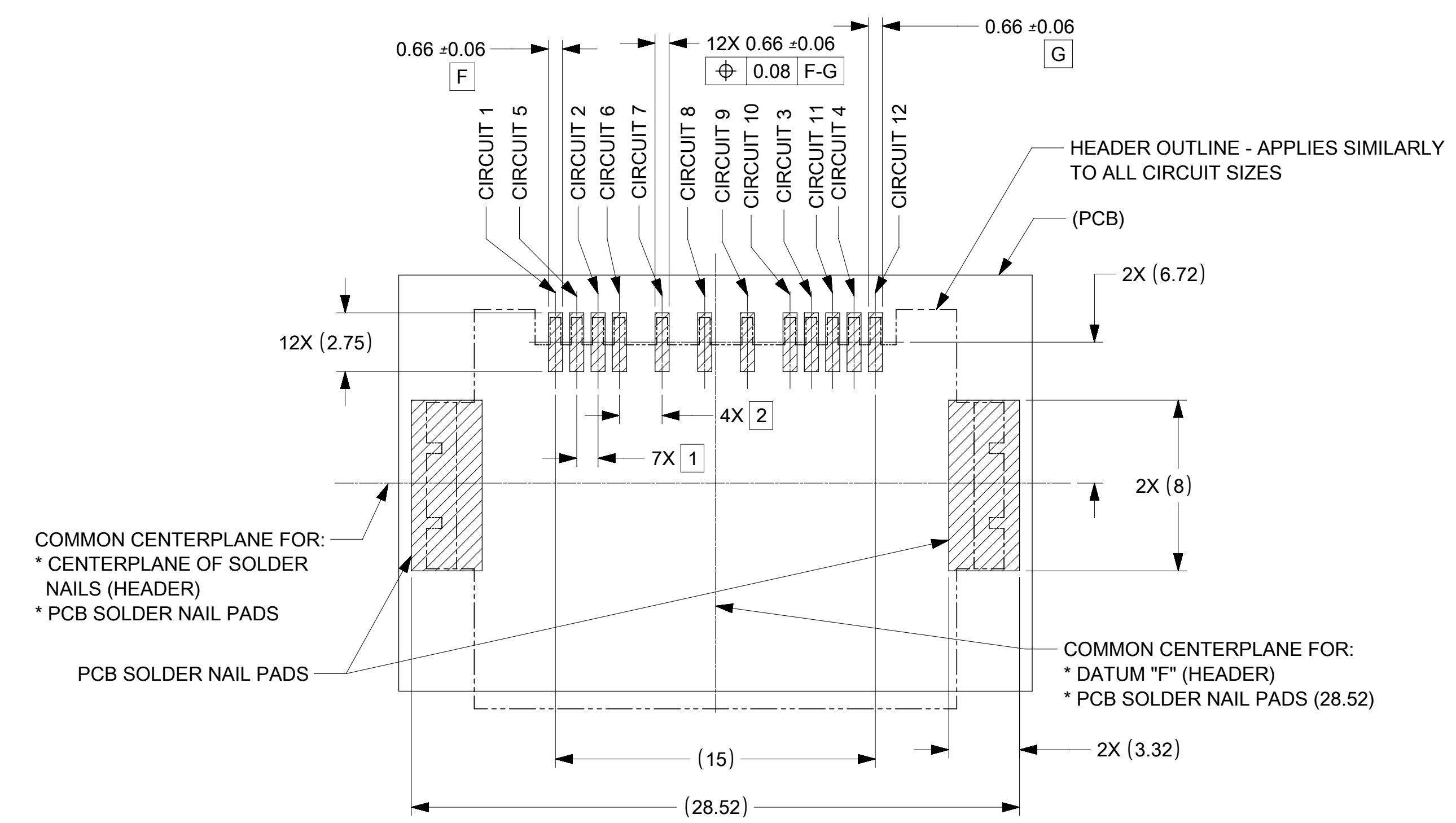
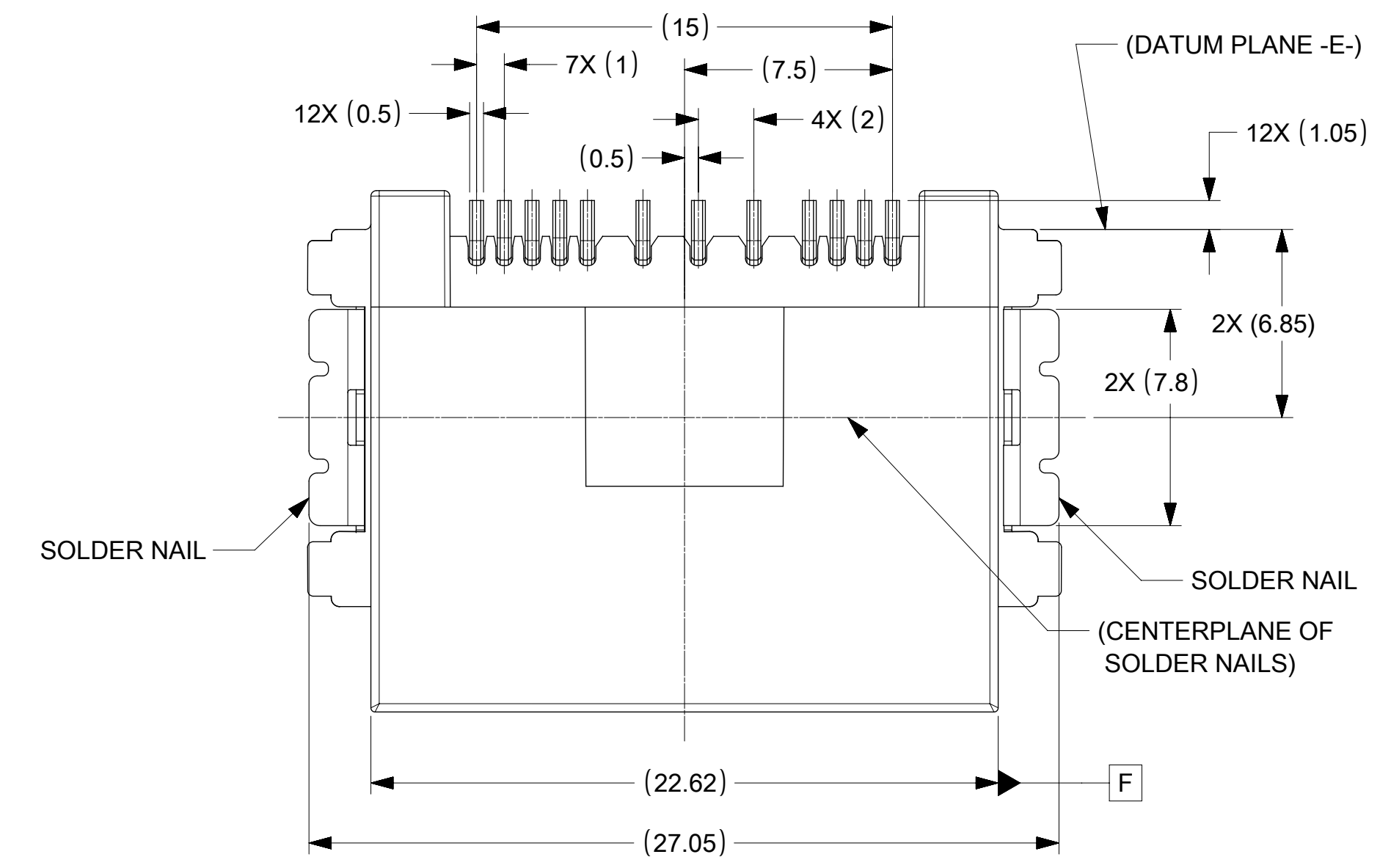
HEADER TO PCB MOUNT



<p>QUALITY SYMBOLS</p> <p>▽ = 0</p> <p>▽ = 0</p> <p>▽ = 0</p> <p>▽ = 0</p> <p>▽ = 0</p> <p>▽ = 0</p> <p>▽ = 0</p> <p>▽ = 0</p> <p>▽ = 0</p> <p>▽ = 0</p>	THIS DRAWING CONTAINS INFORMATION THAT IS PROPRIETARY TO MOLEX ELECTRONIC TECHNOLOGIES, LLC AND SHOULD NOT BE USED WITHOUT WRITTEN PERMISSION										
	EC NO: 119768	DRWN: SMAHESHBABU	CHKD: TMACHUGA	REV: W2	DATE: 2017/07/27	DATE: 2017/07/27	DATE: 2011/11/23	DATE: 2011/12/19	SERIES: 34897	MATERIAL NUMBER: SEE CHART	CUSTOMER: GENERAL MARKET
	GENERAL TOLERANCES (UNLESS SPECIFIED)						DIMENSION UNITS: MM ONLY	SCALE: 5:1	<p><b>molex</b></p> <p>MINI 50 DUAL ROW SMT HEADER ASSEMBLY SALES DRAWING</p> <p>PRODUCT CUSTOMER DRAWING</p>		
	ANGULAR TOL ± 1.0 °						DRWN BY: TMACHUGA	DATE: 2011/11/23			
	4 PLACES ±						CHKD BY: CHKD BY	DATE:	<p>SERIES: 34897</p> <p>MATERIAL NUMBER: SEE CHART</p> <p>CUSTOMER: GENERAL MARKET</p>		
	3 PLACES ±						APPR BY: SMARCEAU	DATE: 2011/12/19			
	2 PLACES ± 0.1						DRAWING SIZE: D	THIRD ANGLE PROJECTION:	<p>DOCUMENT NUMBER: SD-34897-001</p> <p>DOC TYPE: PSD</p> <p>DOC PART: 000</p> <p>SHEET NUMBER: 2 OF 5</p>		
	1 PLACE ± 0.2										
	0 PLACES ±										
	DRAFT WHERE APPLICABLE MUST REMAIN WITHIN DIMENSIONS										



12 CKT SMT USCAR HEADER (BOTTOM VIEW)

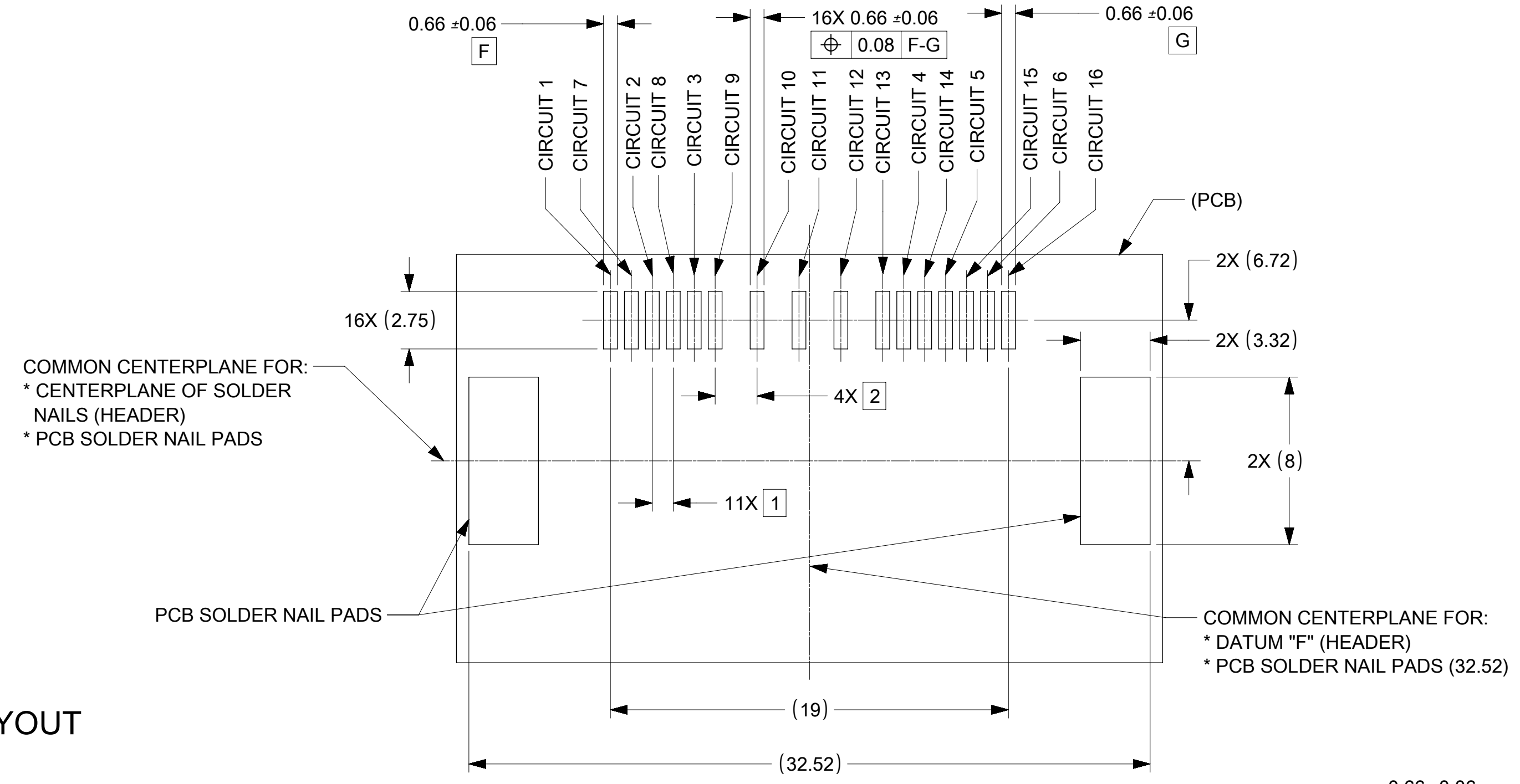


12 CKT PCB LAYOUT (OTHER CIRCUIT SIZES ARE SIMILAR)

<b>QUALITY SYMBOLS</b> □ = 0 ▽ = 0 ▽ = 0 ▽ = 0 ▽ = 0 ▽ = 0 ▽ = 0 ▽ = 0 ▽ = 0	THIS DRAWING CONTAINS INFORMATION THAT IS PROPRIETARY TO MOLEX ELECTRONIC TECHNOLOGIES, LLC AND SHOULD NOT BE USED WITHOUT WRITTEN PERMISSION										
	EC NO: 119768	DRWN: SMAHESHBABU	CHKD: TMACHUGA	APPR: TMACHUGA	DATE: 2017/07/27	DATE: 2017/07/27	DATE: 2011/11/23	DATE: 2011/12/19	SERIES: 34897	MATERIAL NUMBER: SEE CHART	CUSTOMER: GENERAL MARKET
	GENERAL TOLERANCES (UNLESS SPECIFIED)					DIMENSION UNITS: MM ONLY	SCALE: 5:1				
	ANGULAR TOL ± 1.0 °					DRWN BY: TMACHUGA	DATE: 2011/11/23				
	4 PLACES ±					CHKD BY: CHKD BY	DATE:	PRODUCT CUSTOMER DRAWING			
	3 PLACES ±					APPR BY: SMARCEAU	DATE: 2011/12/19				
	2 PLACES ± 0.1					DRAWING SIZE: D	THIRD ANGLE PROJECTION:	DOCUMENT NUMBER: SD-34897-001 DOC TYPE: PSD DOC PART: 000 SHEET NUMBER: 3 OF 5			
	1 PLACE ± 0.2										
	0 PLACES ±										
	DRAFT WHERE APPLICABLE MUST REMAIN WITHIN DIMENSIONS										

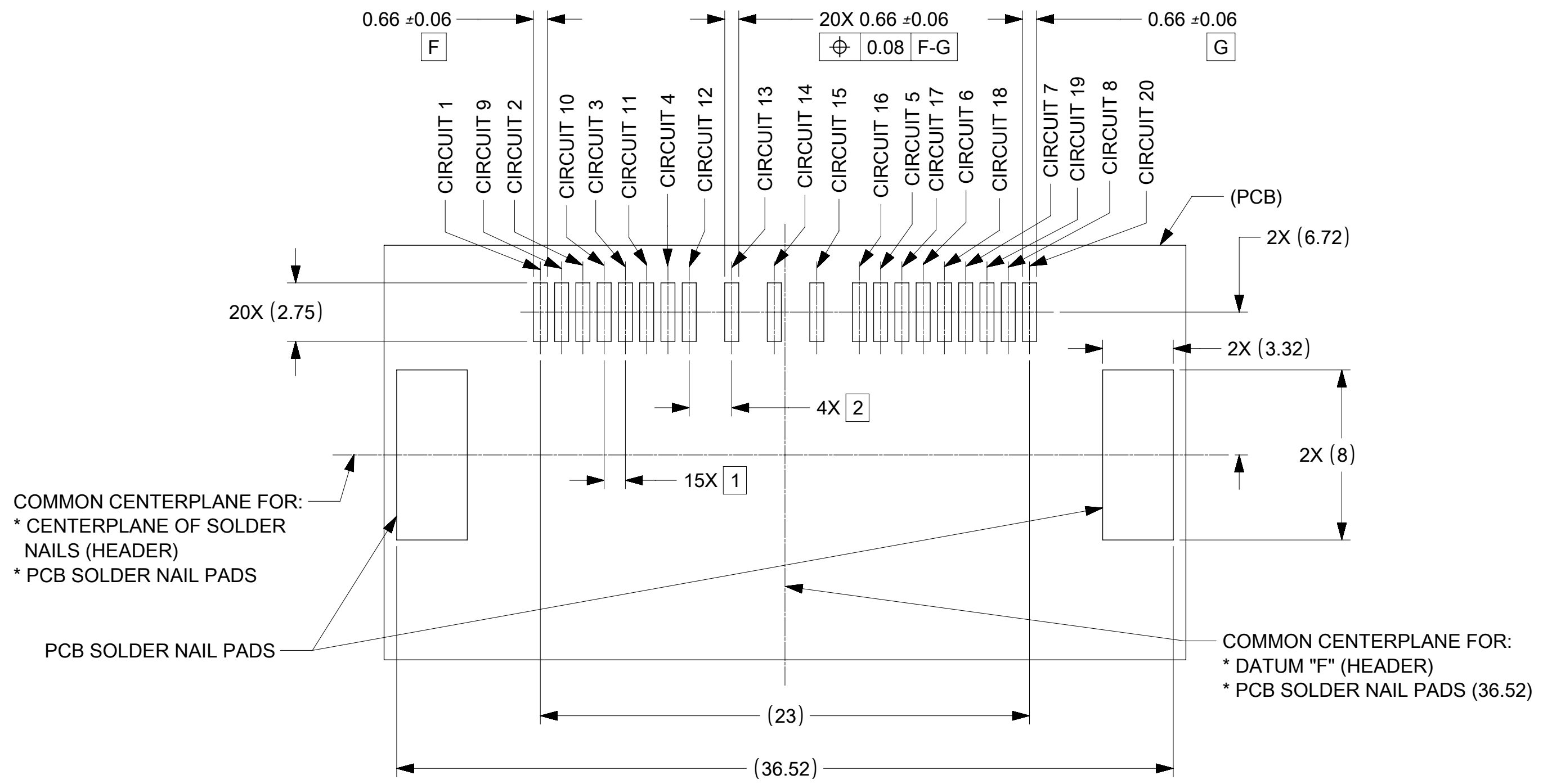
RELEASE STATUS	RELEASE DATE
----------------	--------------

### 16 CKT PCB LAYOUT

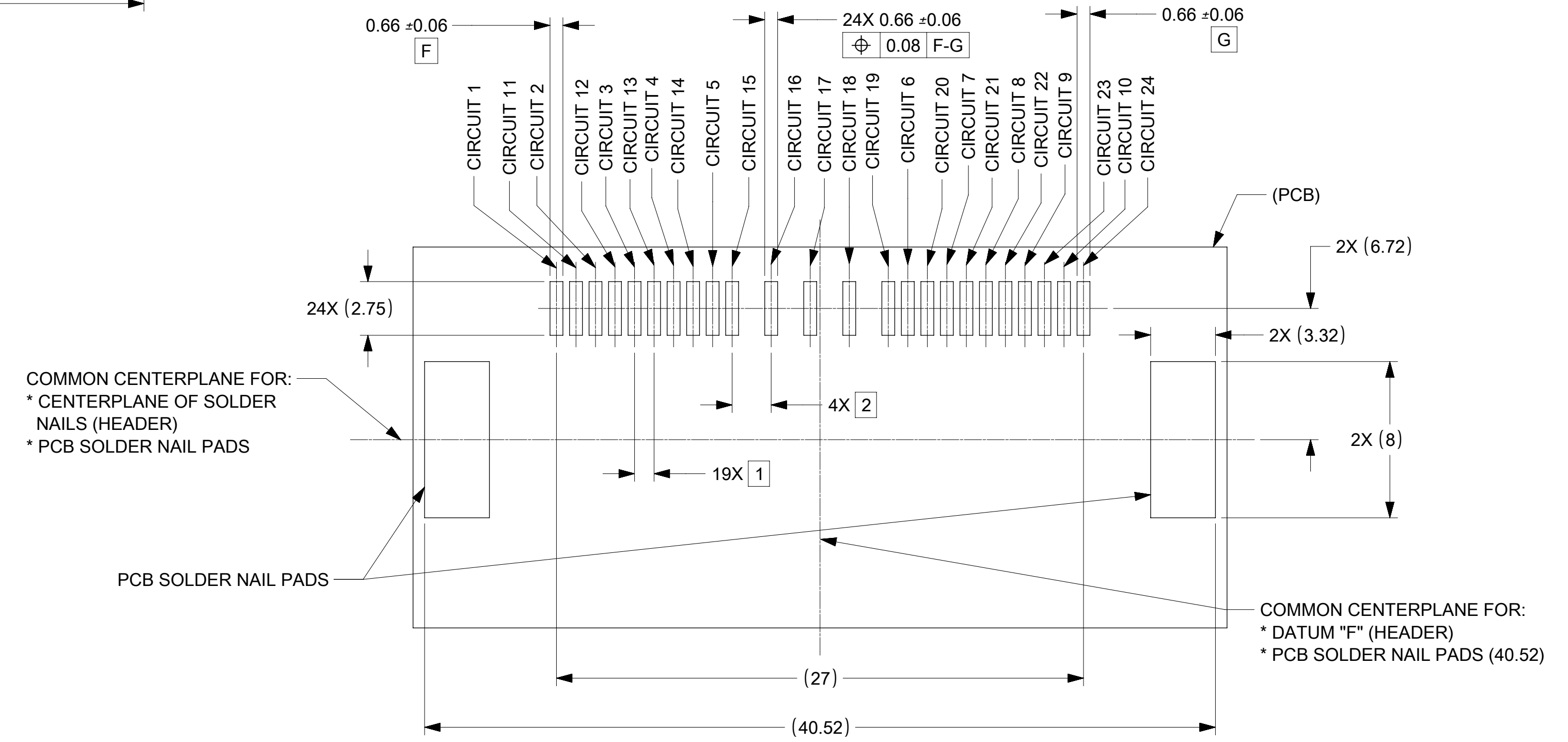


### RECOMMENDED PCB LAYOUT:

### 20 CKT PCB LAYOUT



### 24 CKT PCB LAYOUT



QUALITY SYMBOLS F = 0 F = 0 F = 0 ▽ = 0 C = 0 ⊠ = 0 ■ = 0 ▽ = 0	THIS DRAWING CONTAINS INFORMATION THAT IS PROPRIETARY TO MOLEX ELECTRONIC TECHNOLOGIES, LLC AND SHOULD NOT BE USED WITHOUT WRITTEN PERMISSION											
	DRWN BY: SMAHESHBABU	2017/07/24	GENERAL TOLERANCES (UNLESS SPECIFIED)	DIMENSION UNITS: MM ONLY	SCALE: 5:1							
	CHKD BY: TMACHUGA	2017/07/27	ANGULAR TOL ± 1.0 °	DRWN BY: TMACHUGA	DATE: 2011/11/23							
	EC NO: 119768	DRWN: SMAHESHBABU	CHKD: TMACHUGA	4 PLACES ±	CHKD BY: CHKD BY	PRODUCT CUSTOMER DRAWING						
	REV: W2	APPR: TMACHUGA	1 PLACE ± 0.2	3 PLACES ±	APPR BY: SMARCEAU						DATE: 2011/12/19	
	DRAFT WHERE APPLICABLE MUST REMAIN WITHIN DIMENSIONS			2 PLACES ± 0.1	DRAWING SIZE: D	THIRD ANGLE PROJECTION	SERIES: 34897	MATERIAL NUMBER: SEE CHART	CUSTOMER: GENERAL MARKET	DOCUMENT NUMBER: SD-34897-001		
				1 PLACE ± 0.2			DOC TYPE: PSD	DOC PART: 000	DOC PART SHEET NUMBER: 4 OF 5			
				0 PLACES ±								

## MINI50 SMT DUAL ROW HEADER ASSEMBLIES

MATERIAL NUMBER TUBE PACKAGING PK-31301-688	MATERIAL NUMBER TAPE AND REEL PACKAGING PK-31301-786	CONFIGURATION	CIRCUIT	POL	COLOR	BLADE PLATING	MATING COMPONENT	
							UN-BRIDGED	BRIDGED
34897-5120	34897-6120	USCAR	12	A	BLACK	GOLD	34824-0124	34824-1124
34897-5121	34897-6121	USCAR	12	B	GRAY	GOLD	34824-0125	34824-1125
34897-5122	34897-6122	USCAR	12	C	DARK GRAY	GOLD	34824-0126	34824-1126
34897-5160	34897-6160	USCAR	16	A	BLACK	GOLD	34824-0160	34824-1160
34897-5161	34897-6161	USCAR	16	B	GRAY	GOLD	34824-0161	34824-1161
34897-5162	34897-6162	USCAR	16	C	DARK GRAY	GOLD	34824-0162	34824-1162
34897-5200	34897-6200	USCAR	20	A	BLACK	GOLD	34824-0200	34824-1200
34897-5201	34897-6201	USCAR	20	B	GRAY	GOLD	34824-0201	34824-1201
34897-5202	34897-6202	USCAR	20	C	DARK GRAY	GOLD	34824-0202	34824-1202
34897-5240	34897-6240	USCAR	24	A	BLACK	GOLD	34824-0240	34824-1240
34897-5241	34897-6241	USCAR	24	B	GRAY	GOLD	34824-0241	34824-1241
34897-5242	34897-6242	USCAR	24	C	DARK GRAY	GOLD	34824-0242	34824-1242

MATERIAL NUMBER TUBE PACKAGING PK-31301-688	MATERIAL NUMBER TAPE AND REEL PACKAGING PK-31301-786	CONFIGURATION	CIRCUIT	POL	COLOR	BLADE PLATING	MATING COMPONENT	
							UN-BRIDGED	BRIDGED
34897-9120	34897-8120	USCAR	12	A	BLACK	TIN OVER NICKEL	34824-0124	34824-1124
34897-9121	34897-8121	USCAR	12	B	GRAY	TIN OVER NICKEL	34824-0125	34824-1125
34897-9122	34897-8122	USCAR	12	C	DARK GRAY	TIN OVER NICKEL	34824-0126	34824-1126
34897-9160	34897-8160	USCAR	16	A	BLACK	TIN OVER NICKEL	34824-0160	34824-1160
34897-9161	34897-8161	USCAR	16	B	GRAY	TIN OVER NICKEL	34824-0161	34824-1161
34897-9162	34897-8162	USCAR	16	C	DARK GRAY	TIN OVER NICKEL	34824-0162	34824-1162
34897-9200	34897-8200	USCAR	20	A	BLACK	TIN OVER NICKEL	34824-0200	34824-1200
34897-9201	34897-8201	USCAR	20	B	GRAY	TIN OVER NICKEL	34824-0201	34824-1201
34897-9202	34897-8202	USCAR	20	C	DARK GRAY	TIN OVER NICKEL	34824-0202	34824-1202
34897-9240	34897-8240	USCAR	24	A	BLACK	TIN OVER NICKEL	34824-0240	34824-1240
34897-9241	34897-8241	USCAR	24	B	GRAY	TIN OVER NICKEL	34824-0241	34824-1241
34897-9242	34897-8242	USCAR	24	C	DARK GRAY	TIN OVER NICKEL	34824-0242	34824-1242

QUALITY SYMBOLS □ = 0 ▽ = 0 ▽ = 0 ▽ = 0 ▽ = 0 □ = 0 ■ = 0 ▽ = 0	THIS DRAWING CONTAINS INFORMATION THAT IS PROPRIETARY TO MOLEX ELECTRONIC TECHNOLOGIES, LLC AND SHOULD NOT BE USED WITHOUT WRITTEN PERMISSION												
	EC NO: 119768 DRWN: SMASHESHABU CHKD: TTMACHUGA REV: APPR: TTMACHUGA	2017/07/24 2017/07/27	GENERAL TOLERANCES (UNLESS SPECIFIED) ANGULAR TOL ± 1.0 ° 4 PLACES ± 3 PLACES ± 2 PLACES ± 0.1 1 PLACE ± 0.2 0 PLACES ±	DIMENSION UNITS MM ONLY	SCALE 1:1								
	DRWN BY TTMACHUGA		DATE 2011/11/23		CHKD BY CHKD BY		DATE 2011/12/19		PRODUCT CUSTOMER DRAWING				
	APPR BY SMARCEAU		DATE 2011/12/19		DRAWING SIZE D	THIRD ANGLE PROJECTION 	SERIES 34897	MATERIAL NUMBER SEE CHART	CUSTOMER GENERAL MARKET				
DRAFT WHERE APPLICABLE MUST REMAIN WITHIN DIMENSIONS				DOCUMENT NUMBER SD-34897-001							DOC TYPE PSD	DOC PART 000	SHEET NUMBER 5 OF 5