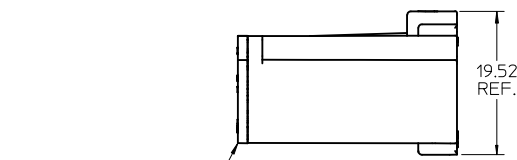
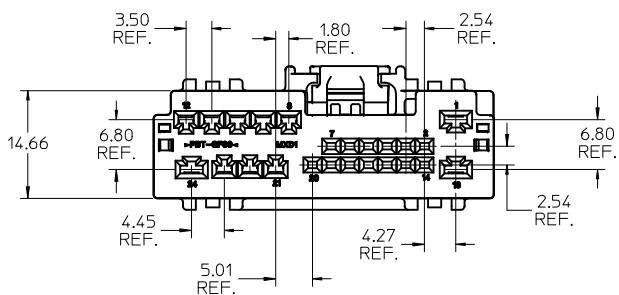
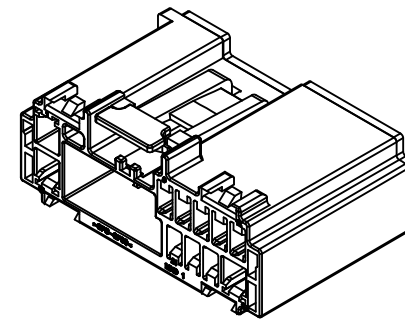
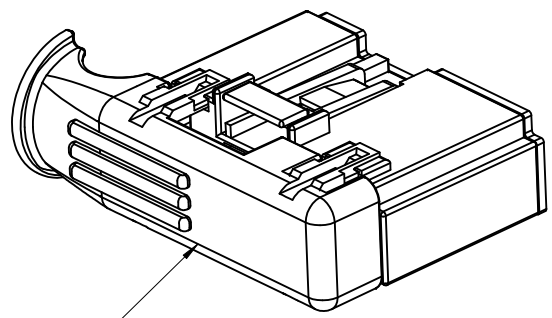
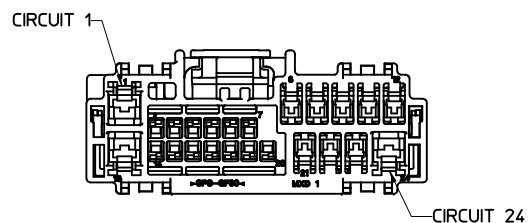


TPA SHOWN IN FULLY SEATED POSITION



TPA SHOWN IN AS-SHIPPED POSITION



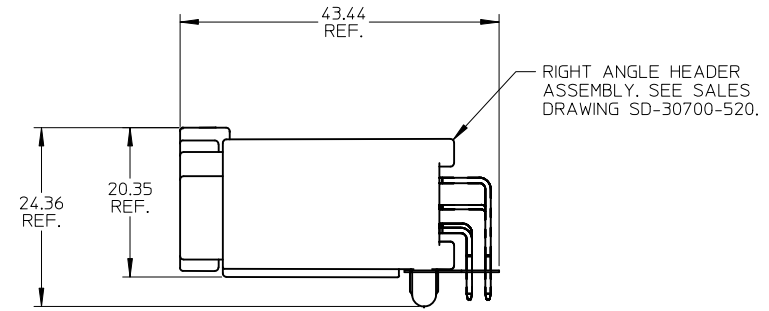
OPTIONAL WIRE DRESS COVER MOLEX P/N 30700-9010.

NOTES:

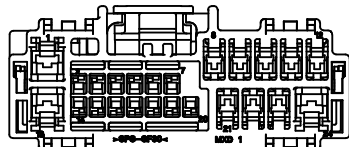
1. MATERIAL: HOUSING: SPS-PA66, GLASS FILLED, COLOR: SEE CHART. TPA: PBT, GLASS FILLED, COLOR: RED.
2. PACKAGING SPECIFICATION : PK-30907-417 AND PK-31301-429.
3. MATES WITH: SERIES 30700 & 30968, SEE SALES DRAWINGS SD-30700-524, SD-30700-424 & SD-30968-124.

SEE ECN# UAU2001-0258 EC NO: UAU2010-0331 DRWN:PPHELPS 2009/11/16 CHKD: 2009/11/24 APPR: JNORTHRO 2009/11/24	QUALITY SYMBOLS	GENERAL TOLERANCES (UNLESS SPECIFIED)		SCALE 2:1	DESIGN UNITS METRIC	THIRD ANGLE PROJECTION	REVISE ON CAD ONLY	
	▽ 0 ∇ 0	mm	INCH	DIMENSION STYLE MM ONLY		TITLE		
		4 PLACES ±---	±---	DRAWN BY RCARLSON		DATE 01/04/04		
	E1	2 PLACES ±0.13	±---	CHECKED BY CKRISHNA		DATE 01/04/24		
1 PLACE ±0.25		±---	APPROVED BY LGEIB		DATE 01/04/24			
ANGULAR ± 1°		DRAFT WHERE APPLICABLE		MATERIAL NO. SEE CHART				
MUST REMAIN WITHIN DIMENSIONS		THIS DRAWING CONTAINS INFORMATION THAT IS PROPRIETARY TO MOLEX INCORPORATED AND SHOULD NOT BE USED WITHOUT WRITTEN PERMISSION		DOCUMENT NO. SD-30700-124		SHEET NO. 1 OF 2		

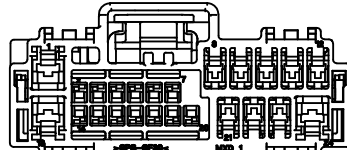
PACKAGING	POLARIZATION OPTIONS & COLOR	
ASSEMBLY P/N BULK PACKED	HARNESS ASSEMBLY (POLARIZATION OPTIONS)	HOUSING COLOR
30700-1244	WITHOUT BRIDGE - 'A'	GRAY
30700-1245	WITHOUT BRIDGE - 'B'	BLACK
30700-1246	WITHOUT BRIDGE - 'C'	NATURAL
31389-1244	WITH BRIDGE - 'A'	GRAY
31389-1245	WITH BRIDGE - 'B'	BLACK
31389-1246	WITH BRIDGE - 'C'	NATURAL



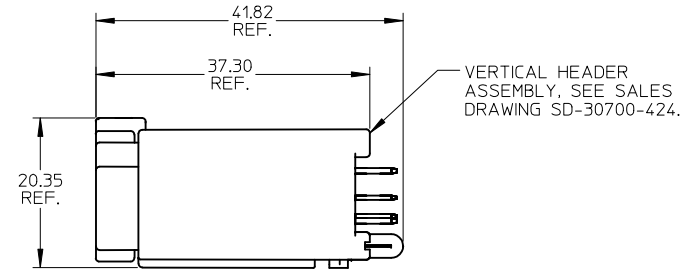
MATED VIEW



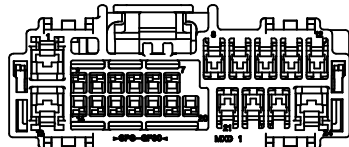
30700-1244 WITHOUT BRIDGE



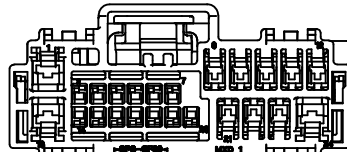
31389-1244 WITH BRIDGE



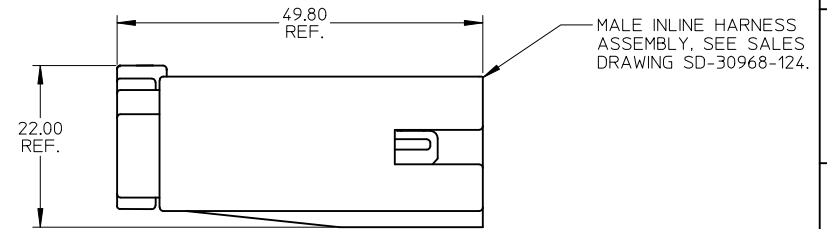
MATED VIEW



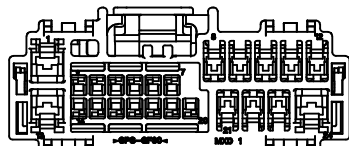
30700-1245 WITHOUT BRIDGE



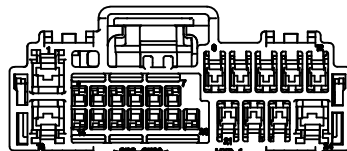
31389-1245 WITH BRIDGE



MATED VIEW



30700-1246 WITHOUT BRIDGE



31389-1246 WITH BRIDGE

SEE ECN# UAU2001-0258 EC NO: UAU2010-0331 DRWN: PPH/ELPS 2009/11/16 CHKD: 2009/11/24 APPR: JNORTHRO 2009/11/24	QUALITY SYMBOLS	GENERAL TOLERANCES (UNLESS SPECIFIED)		SCALE 2:1	DESIGN UNITS METRIC	THIRD ANGLE PROJECTION	REVISE ON CAD ONLY
	-0 -0		mm	INCH	DIMENSION STYLE MM ONLY		TITLE
		4 PLACES	±---	±---	DRAWN BY	DATE	24 CIRCUIT FEMALE HARNESS ASSEMBLY
		3 PLACES	±---	±---	RCARLSON	01/04/04	
2 PLACES	±0.13	±---	CHECKED BY	DATE	MOLEX INCORPORATED		
1 PLACE	±0.25	±---	CKRISHNA	01/04/24			
		ANGULAR ± 1°		APPROVED BY	DATE	MATERIAL NO.	DOCUMENT NO.
		DRAFT WHERE APPLICABLE		LGEIB	01/04/24	ENTER-PART	SD-30700-124
		MUST REMAIN WITHIN DIMENSIONS		THIS DRAWING CONTAINS INFORMATION THAT IS PROPRIETARY TO MOLEX INCORPORATED AND SHOULD NOT BE USED WITHOUT WRITTEN PERMISSION		SHEET NO.	2 OF 2
E1	REV						