

293041-2 ✓ ACTIVE

FASTIN-FASTON | FASTIN-FASTON 250

TE Internal #: 293041-2

Quick Disconnects, Tab, 22 – 17 AWG Wire Size, .32 – 1.04 mm²

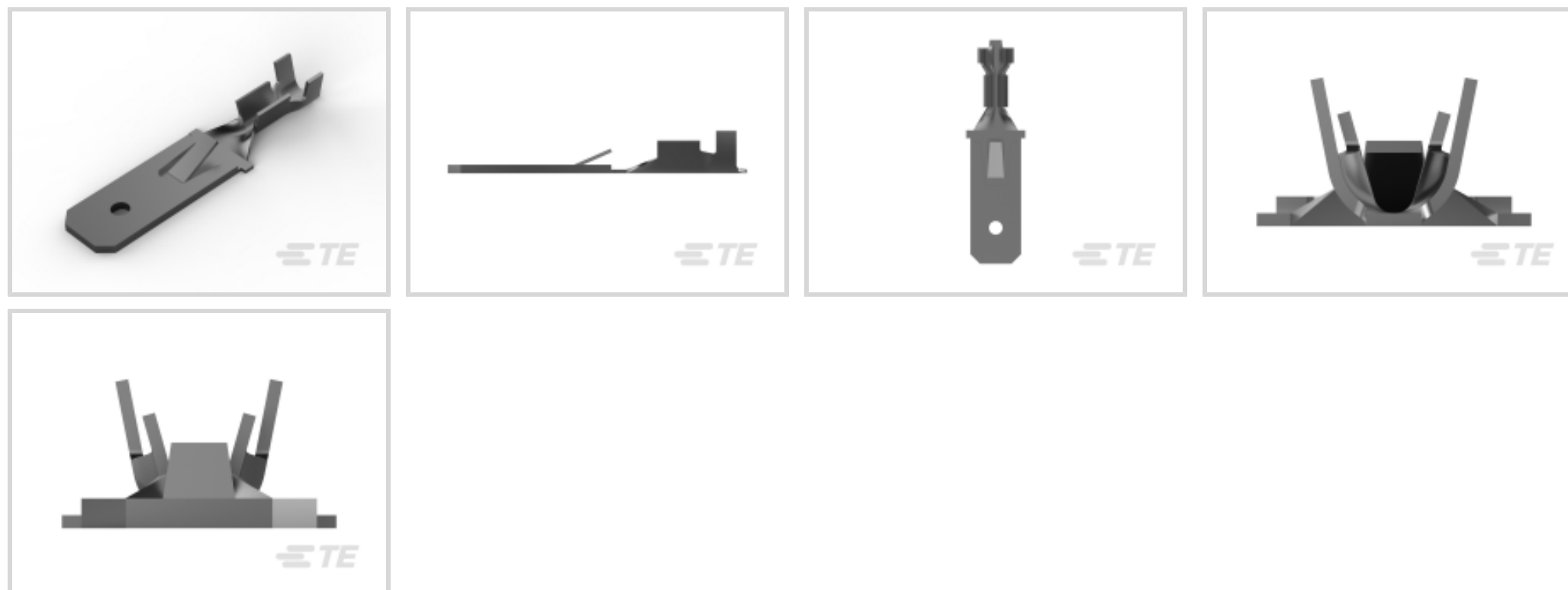
Wire Size, Mating Tab Width .25 in [6.35 mm], Straight, Brass,

FASTIN-FASTON 250

[View on TE.com >](#)



Terminals & Splices > Quick Disconnects



Quick Disconnect Terminal Type: **Tab**

Wire Size: .32 – 1.04 mm²

Mating Tab Width: 6.35 mm [.25 in]

Mating Tab Thickness: .81 mm [.032 in]

Features

Product Type Features

Terminates To	Wire & Cable
Wire/Cable Type	Regular Wire
Insertion Force	Normal
Sealable	No

Configuration Features

Connection Capacity	Single
---------------------	--------

Electrical Characteristics

Voltage (Max)	250 V
---------------	-------

Contact Features

Quick Disconnect Terminal Type	Tab
Mating Tab Width	6.35 mm [.25 in]
Mating Tab Thickness	.81 mm [.032 in]
Terminal Orientation	Straight
Contact Base Material	Brass



Terminal Plating Material	Pre-Tin
---------------------------	---------

Crimp Type	F-Crimp
------------	---------

Barrel Type	Open
-------------	------

Mechanical Attachment

Mating Retention Type	Locking Lance
-----------------------	---------------

Locking Lance Height	1.5 mm[.06 in]
----------------------	----------------

Wire Insulation Support	With
-------------------------	------

Dimensions

Accepts Wire Insulation Diameter Range	2.31 mm[.091 in]
--	------------------

Receptacle Terminal Stock Thickness	.36 mm[.014 in]
-------------------------------------	-----------------

Overall Length	27 mm[1.063 in]
----------------	-----------------

Wire Size	.32 – 1.04 mm ²
-----------	----------------------------

Usage Conditions

Insulation Option	Uninsulated
-------------------	-------------

Operating Temperature Range	-40 – 110 °C[-40 – 230 °F]
-----------------------------	----------------------------

Packaging Features

Packaging Quantity	3000
--------------------	------

Packaging Method	Strip/Reel
------------------	------------

Other

Comment	With hole
---------	-----------

Product Compliance

[For compliance documentation, visit the product page on TE.com>](#)

EU RoHS Directive 2011/65/EU	Compliant
------------------------------	-----------

EU ELV Directive 2000/53/EC	Compliant
-----------------------------	-----------

China RoHS 2 Directive MIIT Order No 32, 2016	No Restricted Materials Above Threshold
---	---

EU REACH Regulation (EC) No. 1907/2006	Current ECHA Candidate List: JUNE 2022 (224) Candidate List Declared Against: JAN 2022 (223) SVHC > Threshold: Not Yet Reviewed
--	--

Halogen Content	Low Halogen - Br, Cl, F, I < 900 ppm per homogenous material. Also BFR/CFR/PVC Free
-----------------	---



Solder Process Capability

Not applicable for solder process capability

Product Compliance Disclaimer

This information is provided based on reasonable inquiry of our suppliers and represents our current actual knowledge based on the information they provided. This information is subject to change. The part numbers that TE has identified as EU RoHS compliant have a maximum concentration of 0.1% by weight in homogenous materials for lead, hexavalent chromium, mercury, PBB, PBDE, DBP, BBP, DEHP, DIBP, and 0.01% for cadmium, or qualify for an exemption to these limits as defined in the Annexes of Directive 2011/65/EU (RoHS2). Finished electrical and electronic equipment products will be CE marked as required by Directive 2011/65/EU. Components may not be CE marked. Additionally, the part numbers that TE has identified as EU ELV compliant have a maximum concentration of 0.1% by weight in homogenous materials for lead, hexavalent chromium, and mercury, and 0.01% for cadmium, or qualify for an exemption to these limits as defined in the Annexes of Directive 2000/53/EC (ELV). Regarding the REACH Regulation, the information TE provides on SVHC in articles for this part number is based on the latest European Chemicals Agency (ECHA) 'Guidance on requirements for substances in articles' posted at this URL: <https://echa.europa.eu/guidance-documents/guidance-on-reach>

Compatible Parts

TE Part # 144838-2
 FF 5MM TAB 22-17 AWG .031 PTPB

TE Part # 2-2150035-2
 OCEAN_2.0_Applicator-E-080F130F

TE Part # 2150035-2
 OCEAN_2.0_Applicator-E-080F130F

TE Part # 7-2150035-2
 OCEAN_2.0_Applicator-E-080F130F

KIT
 REPRESENTATION ONLY

TE Part # 7-2150035-7
 OCEAN_2.0_SPARE_PART_KIT-080F130F

TE Part # 1-1241857-5
 5POS. FASTIN-FASTON* TAB HSG, RAST5

Also in the Series | FASTIN-FASTON 250

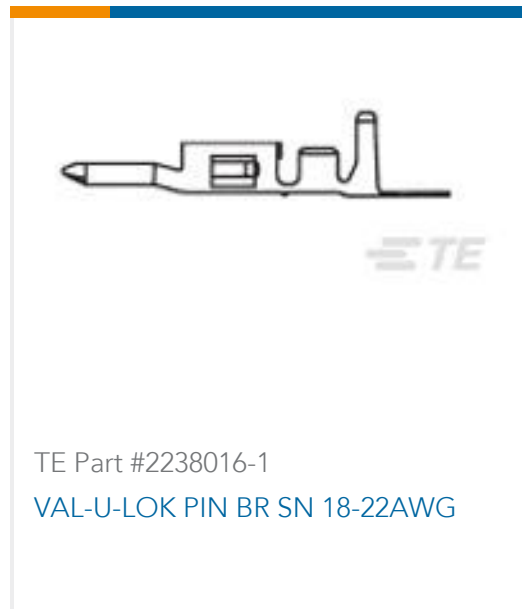
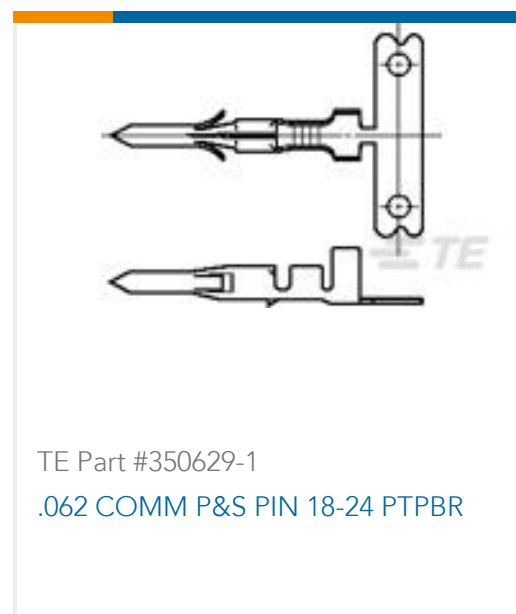
Crimp Terminal Housings(218)

Insertion & Extraction Tools(2)

PCB Terminals(2)

Quick Disconnects(255)

Customers Also Bought



Documents

Product Drawings

[FF 250 TAB 0.35-1.0MM² TPBR](#)

English

CAD Files

[3D PDF](#)

3D

Customer View Model

[ENG_CVM_CVM_293041-2_C_c-293041-2-c.2d_dxf.zip](#)

English

Customer View Model

[ENG_CVM_CVM_293041-2_C_c-293041-2-c.3d_igs.zip](#)

English

Customer View Model

[ENG_CVM_CVM_293041-2_C_c-293041-2-c.3d_stp.zip](#)

English

By downloading the CAD file I accept and agree to the [Terms and Conditions](#) of use.

Product Specifications



FASTIN-FASTON* Connectors, 6.3 mm series TAB CONTACT.

Application Specification

Product Environmental Compliance

[MD_293041-2_112520182251_dmtec](#)

English

[MD_293041-2_112520182251_dmtec](#)

English