

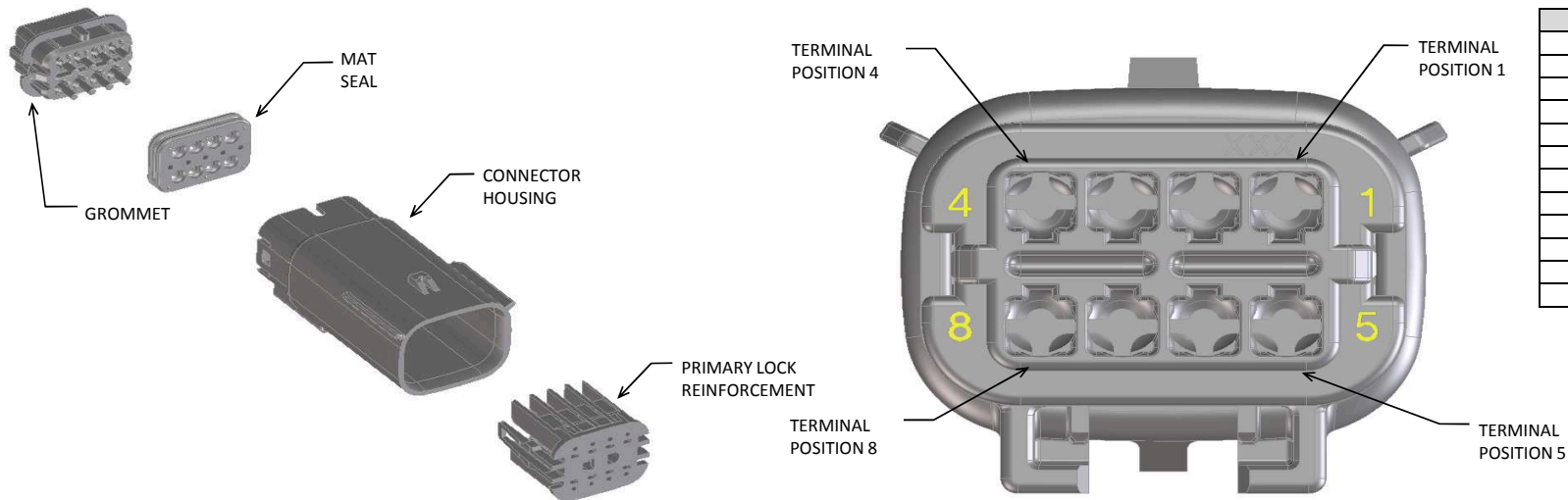




**MX150 2X3 BLADE SEALED ASSEMBLY MAT SEAL  
BOM AND PIN OUT SHEET**

ASSEMBLY DESCRIPTION	ASSEMBLY PART NUMBER	COMPONENT				BLOCKED TERMINALS										STATUS	COMMENTS	OPTIONAL ATTACHMENTS SOLD SEPERATELY			
		THE PRESENCE OF AN ABBREVIATION INDICATES THE PRESENCE OF THAT COMPONENT.				CAVITY WITH A NUMBER INDICATES BLOCKED TERMINAL POSITION CAVITY WITHOUT A NUMBER INDICATES OPEN TERMINAL POSITION												BACKSHELL WITH RIBS	BACKSHELL WITHOUT RIBS		
		HOUSING KEY/COLOR	GROMMET CAP	PLR	MAT SEAL	1	2	3	4	5	6										
KEY A, BLACK	33482-3650	A-BLK	GC	PLR	M	1		3		5								SALEABLE		34950-0610	34950-0620
KEY A, BLACK	33482-3651	A-BLK	GC	PLR	M		2		4		6							SALEABLE		34950-0610	34950-0620
KEY A, BLACK	33482-3652	A-BLK	GC	PLR	M	1					6							SALEABLE		34950-0610	34950-0620
KEY A, BLACK	33482-3653	A-BLK	GC	PLR	M		2			5								SALEABLE		34950-0610	34950-0620
KEY A, BLACK	33482-3654	A-BLK	GC	PLR	M	1		3	4									SALEABLE		34950-0610	34950-0620

MX150 2X4 BLADE SEALED ASSEMBLY MAT SEAL  
BOM AND PIN OUT SHEET



ABBREVIATION	DESCRIPTION	COLOR	MATERIAL
A-BLK	HOUSING, KEYING OPTION A	BLACK	SPS/NYLON GF20
B-LG	HOUSING, KEYING OPTION B	LIGHT GRAY	SPS/NYLON GF20
C-BR	HOUSING, KEYING OPTION C	BROWN	SPS/NYLON GF20
D-GR	HOUSING, KEYING OPTION D	GREEN	SPS/NYLON GF20
C-DG	HOUSING, KEYING OPTION C	DARK GRAY	SPS/NYLON GF20
D-SG	HOUSING, KEYING OPTION D	STONE GRAY	SPS/NYLON GF20
A-YW	HOUSING, KEYING OPTION A	YELLOW	SPS/NYLON GF20
GCP	GROMMET CAP (PLUGGED)	BLACK	SPS/NYLON GF20
GCO	GROMMET CAP (OPEN)	BLACK	SPS/NYLON GF20
PLR	PLR	NATURAL	SPS/NYLON GF20
M-R	MAT SEAL	RUST RED	INHERENTLY LUBRICATED SILICONE
M-B	MAT SEAL	ROYAL BLUE	INHERENTLY LUBRICATED SILICONE

FOR ADDITIONAL INFORMATION SEE SD-33482-0001

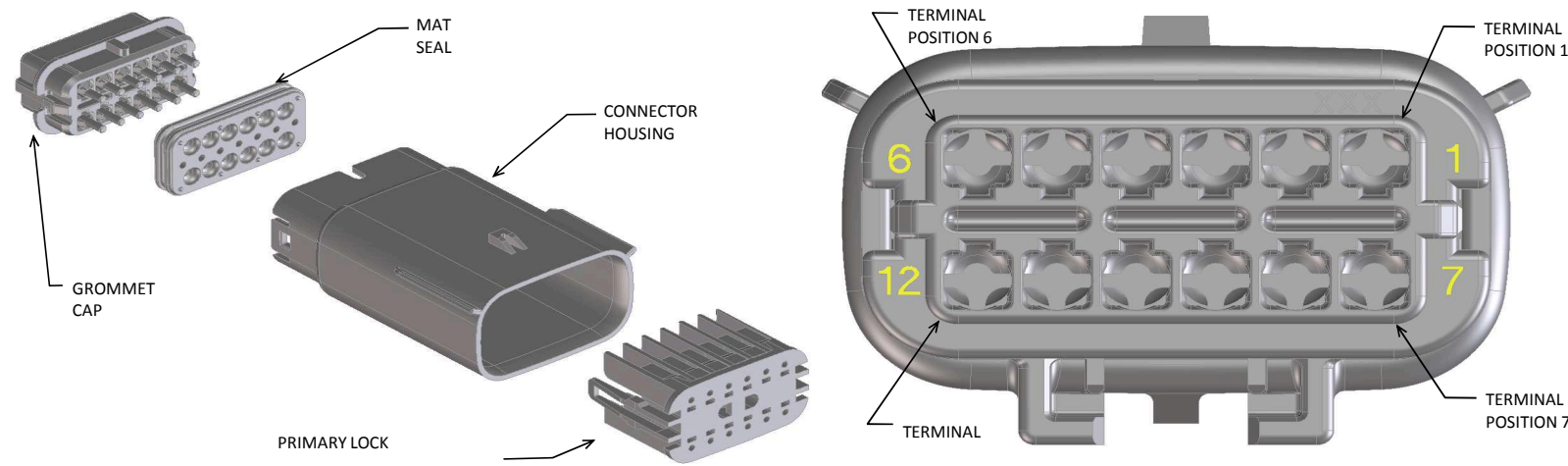
ASSEMBLY DESCRIPTION	ASSEMBLY PART NUMBER	COMPONENT				BLOCKED TERMINALS								STATUS	COMMENTS	OPTIONAL ATTACHMENTS SOLD SEPERATELY				
		THE PRESENCE OF AN ABBREVIATION INDICATES THE PRESENCE OF THAT COMPONENT.				CAVITY WITH A NUMBER INDICATES BLOCKED TERMINAL POSITION CAVITY WITHOUT A NUMBER INDICATES OPEN TERMINAL POSITION										BACKSHELL WITH RIBS	BACKSHELL WITHOUT RIBS			
		HOUSING KEY/COLOR	GROMMET CAP	PLR	MAT SEAL	1	2	3	4	5	6	7	8							
KEY A, BLACK	33482-0801	A-BLK	GCO	PLR	M-R											PLANNED OBSOLESCENCE	SEE 33482-4801	DESIGN CONCEPT	DESIGN CONCEPT	
KEY B, LIGHT GRAY	33482-0802	B-LG	GCO	PLR	M-R												PLANNED OBSOLESCENCE	SEE 33482-4802	DESIGN CONCEPT	DESIGN CONCEPT
KEY C, BROWN	33482-0803	C-BR	GCO	PLR	M-R												PLANNED OBSOLESCENCE	SEE 33482-4803	DESIGN CONCEPT	DESIGN CONCEPT
KEY D, GREEN	33482-0804	D-GR	GCO	PLR	M-R												PLANNED OBSOLESCENCE	SEE 33482-4804	DESIGN CONCEPT	DESIGN CONCEPT
VOID KEY	33482-0805																			
KEY A, BLACK	33482-0806	A-BLK	GCP	PLR	M-R				4								PLANNED OBSOLESCENCE	SEE 33482-4806	DESIGN CONCEPT	DESIGN CONCEPT
KEY B, LIGHT GRAY	33482-0807	B-LG	GCP	PLR	M-R				4								PLANNED OBSOLESCENCE	SEE 33482-4807	DESIGN CONCEPT	DESIGN CONCEPT
KEY C, BROWN	33482-0808	C-BR	GCP	PLR	M-R				4								PLANNED OBSOLESCENCE	SEE 33482-4808	DESIGN CONCEPT	DESIGN CONCEPT
KEY D, GREEN	33482-0809	D-GR	GCP	PLR	M-R				4								PLANNED OBSOLESCENCE	SEE 33482-4809	DESIGN CONCEPT	DESIGN CONCEPT
VOID KEY	33482-0810																			
KEY A, BLACK	33482-0811	A-BLK	GCP	PLR	M-R				4	5							PLANNED OBSOLESCENCE	SEE 33482-4811	DESIGN CONCEPT	DESIGN CONCEPT
KEY B, LIGHT GRAY	33482-0812	B-LG	GCP	PLR	M-R				4	5							PLANNED OBSOLESCENCE	SEE 33482-4812	DESIGN CONCEPT	DESIGN CONCEPT
KEY C, BROWN	33482-0813	C-BR	GCP	PLR	M-R				4	5							PLANNED OBSOLESCENCE	SEE 33482-4813	DESIGN CONCEPT	DESIGN CONCEPT
KEY D, GREEN	33482-0814	D-GR	GCP	PLR	M-R				4	5							PLANNED OBSOLESCENCE	SEE 33482-4814	DESIGN CONCEPT	DESIGN CONCEPT
VOID KEY	33482-0815																			
KEY A, BLACK	33482-0816	A-BLK	GCP	PLR	M-R	1			4	5							PLANNED OBSOLESCENCE	SEE 33482-4816	DESIGN CONCEPT	DESIGN CONCEPT
KEY B, LIGHT GRAY	33482-0817	B-LG	GCP	PLR	M-R	1			4	5							PLANNED OBSOLESCENCE	SEE 33482-4817	DESIGN CONCEPT	DESIGN CONCEPT
KEY C, BROWN	33482-0818	C-BR	GCP	PLR	M-R	1			4	5							PLANNED OBSOLESCENCE	SEE 33482-4818	DESIGN CONCEPT	DESIGN CONCEPT
KEY D, GREEN	33482-0819	D-GR	GCP	PLR	M-R	1			4	5							PLANNED OBSOLESCENCE	SEE 33482-4819	DESIGN CONCEPT	DESIGN CONCEPT
VOID KEY	33482-0820																			
KEY A, BLACK	33482-0821	A-BLK	GCP	PLR	M-R	1			4	5				8			PLANNED OBSOLESCENCE	SEE 33482-4821	DESIGN CONCEPT	DESIGN CONCEPT
KEY B, LIGHT GRAY	33482-0822	B-LG	GCP	PLR	M-R	1			4	5				8			PLANNED OBSOLESCENCE	SEE 33482-4822	DESIGN CONCEPT	DESIGN CONCEPT
KEY C, BROWN	33482-0823	C-BR	GCP	PLR	M-R	1			4	5				8			PLANNED OBSOLESCENCE	SEE 33482-4823	DESIGN CONCEPT	DESIGN CONCEPT
KEY D, GREEN	33482-0824	D-GR	GCP	PLR	M-R	1			4	5				8			PLANNED OBSOLESCENCE	SEE 33482-4824	DESIGN CONCEPT	DESIGN CONCEPT
VOID KEY	33482-0825																			
KEY A, BLACK	33482-0826	A-BLK	GCP	PLR	M-R	1	2	3				6	7	8			PLANNED OBSOLESCENCE	SEE 33482-4826	DESIGN CONCEPT	DESIGN CONCEPT
KEY A, BLACK	33482-0827	A-BLK	GCP	PLR	M-R									8			PLANNED OBSOLESCENCE	SEE 33482-4827	DESIGN CONCEPT	DESIGN CONCEPT
KEY A, BLACK	33482-0828	A-BLK	GCP	PLR	M-R			3		5							PLANNED OBSOLESCENCE	SEE 33482-4828	DESIGN CONCEPT	DESIGN CONCEPT
KEY A, BLACK	33482-0829	A-BLK	GCP	PLR	M-R		2	3	4	5	6	7					PLANNED OBSOLESCENCE	SEE 33482-4829	DESIGN CONCEPT	DESIGN CONCEPT
KEY A, BLACK	33482-0830	A-BLK	GCP	PLR	M-R						6						PLANNED OBSOLESCENCE	SEE 33482-4830	DESIGN CONCEPT	DESIGN CONCEPT
KEY A, BLACK	33482-0831	A-BLK	GCP	PLR	M-R			3		5	6						PLANNED OBSOLESCENCE	SEE 33482-4831	DESIGN CONCEPT	DESIGN CONCEPT
KEY A, BLACK	33482-0832	A-BLK	GCP	PLR	M-R					5	6			8			PLANNED OBSOLESCENCE	SEE 33482-4832	DESIGN CONCEPT	DESIGN CONCEPT
KEY A, BLACK	33482-0833	A-BLK	GCP	PLR	M-R	1		3		5							PLANNED OBSOLESCENCE	SEE 33482-4833	DESIGN CONCEPT	DESIGN CONCEPT
KEY A, BLACK	33482-0834	A-BLK	GCP	PLR	M-R	1	2	3	4	5	6	7	8				PLANNED OBSOLESCENCE	SEE 33482-4834	DESIGN CONCEPT	DESIGN CONCEPT
KEY A, BLACK	33482-0835	A-BLK	GCP	PLR	M-R							7	8				PLANNED OBSOLESCENCE	SEE 33482-4835	DESIGN CONCEPT	DESIGN CONCEPT
KEY A, BLACK	33482-0836	A-BLK	GCP	PLR	M-R		2	3			6	7	8				PLANNED OBSOLESCENCE	SEE 33482-4836	DESIGN CONCEPT	DESIGN CONCEPT
KEY A, BLACK	33482-0837	A-BLK	GCP	PLR	M-R	1			4								PLANNED OBSOLESCENCE	SEE 33482-4837	DESIGN CONCEPT	DESIGN CONCEPT
KEY A, BLACK	33482-0838	A-BLK	GCP	PLR	M-R		2	3		5	6	7	8				PLANNED OBSOLESCENCE	SEE 33482-4838	DESIGN CONCEPT	DESIGN CONCEPT
KEY B, LIGHT GRAY	33482-0839	B-LG	GCP	PLR	M-R								8				PLANNED OBSOLESCENCE	SEE 33482-4839	DESIGN CONCEPT	DESIGN CONCEPT
KEY A, BLACK	33482-0840	A-BLK	GCP	PLR	M-R		2	3		5	6		8				PLANNED OBSOLESCENCE	SEE 33482-4840	DESIGN CONCEPT	DESIGN CONCEPT
KEY A, BLACK	33482-0841	A-BLK	GCP	PLR	M-R						6	7					PLANNED OBSOLESCENCE	SEE 33482-4841	DESIGN CONCEPT	DESIGN CONCEPT
KEY A, BLACK	33482-0842	A-BLK	GCP	PLR	M-R							7					PLANNED OBSOLESCENCE	SEE 33482-4842	DESIGN CONCEPT	DESIGN CONCEPT
KEY A, BLACK	33482-0843	A-BLK	GCP	PLR	M-R				4			7					PLANNED OBSOLESCENCE	SEE 33482-4843	DESIGN CONCEPT	DESIGN CONCEPT
KEY A, BLACK	33482-0844	A-BLK	GCP	PLR	M-R			3			6						PLANNED OBSOLESCENCE	SEE 33482-4844	DESIGN CONCEPT	DESIGN CONCEPT
KEY A, BLACK	33482-0845	A-BLK	GCP	PLR	M-R		2	3	4	5	6						PLANNED OBSOLESCENCE	SEE 33482-4845	DESIGN CONCEPT	DESIGN CONCEPT
KEY A, BLACK	33482-0846	A-BLK	GCP	PLR	M-R				4	5		7	8				PLANNED OBSOLESCENCE	SEE 33482-4846	DESIGN CONCEPT	DESIGN CONCEPT
KEY B, LIGHT GRAY	33482-0847	B-LG	GCP	PLR	M-R	1	2	3	4	5	6	7	8				PLANNED OBSOLESCENCE	SEE 33482-4847	DESIGN CONCEPT	DESIGN CONCEPT
KEY A, BLACK	33482-0848	A-BLK	GCP	PLR	M-R	1				5							PLANNED OBSOLESCENCE	SEE 33482-4848	DESIGN CONCEPT	DESIGN CONCEPT



MX150 2X4 BLADE SEALED ASSEMBLY MAT SEAL  
BOM AND PIN OUT SHEET

ASSEMBLY DESCRIPTION	ASSEMBLY PART NUMBER	COMPONENT				BLOCKED TERMINALS								STATUS	COMMENTS	OPTIONAL ATTACHMENTS SOLD SEPERATELY		
		THE PRESENCE OF AN ABBREVIATION INDICATES THE PRESENCE OF THAT COMPONENT.				CAVITY WITH A NUMBER INDICATES BLOCKED TERMINAL POSITION CAVITY WITHOUT A NUMBER INDICATES OPEN TERMINAL POSITION										BACKSHELL WITH RIBS	BACKSHELL WITHOUT RIBS	
		HOUSING KEY/COLOR	GROMMET CAP	PLR	MAT SEAL	1	2	3	4	5	6	7	8					
KEY A, BLACK	33482-4835	A-BLK	GCP	PLR	M-B							7	8	SALEABLE		DESIGN CONCEPT	DESIGN CONCEPT	
KEY A, BLACK	33482-4836	A-BLK	GCP	PLR	M-B		2	3				6	7	8	SALEABLE		DESIGN CONCEPT	DESIGN CONCEPT
KEY A, BLACK	33482-4837	A-BLK	GCP	PLR	M-B	1			4						SALEABLE		DESIGN CONCEPT	DESIGN CONCEPT
KEY A, BLACK	33482-4838	A-BLK	GCP	PLR	M-B		2	3		5	6	7	8		SALEABLE		DESIGN CONCEPT	DESIGN CONCEPT
KEY B, LIGHT GRAY	33482-4839	B-LG	GCP	PLR	M-B								8		SALEABLE		DESIGN CONCEPT	DESIGN CONCEPT
KEY A, BLACK	33482-4840	A-BLK	GCP	PLR	M-B		2	3		5	6		8		SALEABLE		DESIGN CONCEPT	DESIGN CONCEPT
KEY A, BLACK	33482-4841	A-BLK	GCP	PLR	M-B						6	7			SALEABLE		DESIGN CONCEPT	DESIGN CONCEPT
KEY A, BLACK	33482-4842	A-BLK	GCP	PLR	M-B							7			SALEABLE		DESIGN CONCEPT	DESIGN CONCEPT
KEY A, BLACK	33482-4843	A-BLK	GCP	PLR	M-B				4			7			SALEABLE		DESIGN CONCEPT	DESIGN CONCEPT
KEY A, BLACK	33482-4844	A-BLK	GCP	PLR	M-B			3			6				SALEABLE		DESIGN CONCEPT	DESIGN CONCEPT
KEY A, BLACK	33482-4845	A-BLK	GCP	PLR	M-B		2	3	4	5	6				SALEABLE		DESIGN CONCEPT	DESIGN CONCEPT
KEY A, BLACK	33482-4846	A-BLK	GCP	PLR	M-B				4	5		7	8		SALEABLE		DESIGN CONCEPT	DESIGN CONCEPT
KEY B, LIGHT GRAY	33482-4847	B-LG	GCP	PLR	M-B	1	2	3	4	5	6	7	8		SALEABLE		DESIGN CONCEPT	DESIGN CONCEPT
KEY A, BLACK	33482-4848	A-BLK	GCP	PLR	M-B	1				5					SALEABLE		DESIGN CONCEPT	DESIGN CONCEPT
KEY B, LIGHT GRAY	33482-4849	B-LG	GCP	PLR	M-B	1					6				SALEABLE		DESIGN CONCEPT	DESIGN CONCEPT
KEY A, YELLOW	33482-4850	A-YW	GCP	PLR	M-B	1			4						SALEABLE		DESIGN CONCEPT	DESIGN CONCEPT
KEY A, YELLOW	33482-4851	A-YW	GCO	PLR	M-B										SALEABLE		DESIGN CONCEPT	DESIGN CONCEPT
KEY C, DARK GRAY	33482-4852	C-DG	GCO	PLR	M-B										SALEABLE		DESIGN CONCEPT	DESIGN CONCEPT
KEY D, STONE GRAY	33482-4853	D-SG	GCO	PLR	M-B										SALEABLE		DESIGN CONCEPT	DESIGN CONCEPT
KEY A, BLACK	33482-4854	A-BLK	GCP	PLR	M-B	1	2	3	4						SALEABLE		DESIGN CONCEPT	DESIGN CONCEPT
KEY A, BLACK	33482-4855	A-BLK	GCP	PLR	M-B	1	2			5	6	7	8		SALEABLE		DESIGN CONCEPT	DESIGN CONCEPT
KEY A, BLACK	33482-4856	A-BLK	GCP	PLR	M-B	1	2								SALEABLE		DESIGN CONCEPT	DESIGN CONCEPT
KEY A, BLACK	33482-4857	A-BLK	GCP	PLR	M-B	1	2	3		5					SALEABLE		DESIGN CONCEPT	DESIGN CONCEPT
KEY A, BLACK	33482-4858	A-BLK	GCP	PLR	M-B	1	2	3	4	5			8		SALEABLE		DESIGN CONCEPT	DESIGN CONCEPT
KEY A, BLACK	33482-4859	A-BLK	GCP	PLR	M-B	1		3		5	6	7			SALEABLE		DESIGN CONCEPT	DESIGN CONCEPT
KEY A, BLACK	33482-4860	A-BLK	GCP	PLR	M-B	1	2	3	4	5	6				SALEABLE		DESIGN CONCEPT	DESIGN CONCEPT
KEY A, BLACK	33482-4861	A-BLK	GCP	PLR	M-B	1	2	3			6				SALEABLE		DESIGN CONCEPT	DESIGN CONCEPT
KEY A, BLACK	33482-4862	A-BLK	GCP	PLR	M-B	1					6				SALEABLE		DESIGN CONCEPT	DESIGN CONCEPT
KEY A, BLACK	33482-4863	A-BLK	GCP	PLR	M-B	1					6	7	8		SALEABLE		DESIGN CONCEPT	DESIGN CONCEPT
KEY A, BLACK	33482-4864	A-BLK	GCP	PLR	M-B			3	4	5	6	7	8		SALEABLE		DESIGN CONCEPT	DESIGN CONCEPT
KEY A, BLACK	33482-4865	A-BLK	GCP	PLR	M-B				4			7	8		SALEABLE		DESIGN CONCEPT	DESIGN CONCEPT
KEY A, BLACK	33482-4866	A-BLK	GCP	PLR	M-B				4	5	6	7	8		SALEABLE		DESIGN CONCEPT	DESIGN CONCEPT
KEY A, BLACK	33482-4867	A-BLK	GCP	PLR	M-B		2	3	4		6	7	8		SALEABLE		DESIGN CONCEPT	DESIGN CONCEPT
KEY A, BLACK	33482-4868	A-BLK	GCP	PLR	M-B					5	6	7			SALEABLE		DESIGN CONCEPT	DESIGN CONCEPT
KEY A, BLACK	33482-4869	A-BLK	GCP	PLR	M-B			3	4						SALEABLE		DESIGN CONCEPT	DESIGN CONCEPT
KEY A, BLACK	33482-4870	A-BLK	GCP	PLR	M-B						6	7	8		SALEABLE		DESIGN CONCEPT	DESIGN CONCEPT
KEY B, LIGHT GRAY	33482-4871	B-LG	GCP	PLR	M-B							7	8		SALEABLE		DESIGN CONCEPT	DESIGN CONCEPT
KEY A, BLACK	33482-4872	A-BLK	GCP	PLR	M-B	1							8		SALEABLE		DESIGN CONCEPT	DESIGN CONCEPT
KEY A, BLACK	33482-4873	A-BLK	GCP	PLR	M-B						6		8		SALEABLE		DESIGN CONCEPT	DESIGN CONCEPT
KEY A, BLACK	33482-4874	A-BLK	GCP	PLR	M-B		2				5				SALEABLE		DESIGN CONCEPT	DESIGN CONCEPT
KEY A, BLACK	33482-4875	A-BLK	GCP	PLR	M-B						5				SALEABLE		DESIGN CONCEPT	DESIGN CONCEPT
KEY B, LIGHT GRAY	33482-4876	B-LG	GCP	PLR	M-B	1		3					8		SALEABLE		DESIGN CONCEPT	DESIGN CONCEPT
KEY B, LIGHT GRAY	33482-4877	B-LG	GCP	PLR	M-B			3					8		SALEABLE		DESIGN CONCEPT	DESIGN CONCEPT
KEY B, LIGHT GRAY	33482-4878	B-LG	GCP	PLR	M-B	1									SALEABLE		DESIGN CONCEPT	DESIGN CONCEPT
KEY A, BLACK	33482-4879	A-BLK	GCP	PLR	M-B	1	2	3	4	5		7			SALEABLE		DESIGN CONCEPT	DESIGN CONCEPT
KEY A, BLACK	33482-4880	A-BLK	GCP	PLR	M-B	1									SALEABLE		DESIGN CONCEPT	DESIGN CONCEPT
KEY A, BLACK	33482-4881	A-BLK	GCP	PLR	M-B					5			8		SALEABLE		DESIGN CONCEPT	DESIGN CONCEPT
KEY A, BLACK	33482-4882	A-BLK	GCP	PLR	M-B				4		6				SALEABLE		DESIGN CONCEPT	DESIGN CONCEPT
KEY A, BLACK	33482-4883	A-BLK	GCP	PLR	M-B	1						7			SALEABLE		DESIGN CONCEPT	DESIGN CONCEPT
KEY A, BLACK	33482-4884	A-BLK	GCP	PLR	M-B	1	2	3	4			7			SALEABLE		DESIGN CONCEPT	DESIGN CONCEPT
KEY A, BLACK	33482-4885	A-BLK	GCP	PLR	M-B	1	2			5	6		8		SALEABLE		DESIGN CONCEPT	DESIGN CONCEPT
KEY A, BLACK	33482-4886	A-BLK	GCP	PLR	M-B		2	3					8		SALEABLE		DESIGN CONCEPT	DESIGN CONCEPT
KEY A, BLACK	33482-4887	A-BLK	GCP	PLR	M-B	1		3	4			7	8		SALEABLE		DESIGN CONCEPT	DESIGN CONCEPT
KEY A, BLACK	33482-4888	A-BLK	GCP	PLR	M-B				4	5	6				SALEABLE		DESIGN CONCEPT	DESIGN CONCEPT
KEY A, BLACK	33482-4889	A-BLK	GCP	PLR	M-B	1	2		4	5	6		8		SALEABLE		DESIGN CONCEPT	DESIGN CONCEPT
KEY A, BLACK	33482-4890	A-BLK	GCP	PLR	M-B				4				8		SALEABLE		DESIGN CONCEPT	DESIGN CONCEPT

MX150 2X6 BLADE SEALED ASSY MAT SEAL  
BOM AND PIN OUT SHEET



ABBREVIATION	DESCRIPTION	COLOR	MATERIAL
A-BLK	HOUSING, KEYING OPTION A	BLACK	SPS/NYLON GF20
B-LG	HOUSING, KEYING OPTION B	LIGHT GRAY	SPS/NYLON GF20
C-BR	HOUSING, KEYING OPTION C	BROWN	SPS/NYLON GF20
D-GR	HOUSING, KEYING OPTION D	GREEN	SPS/NYLON GF20
A-YL	HOUSING, KEYING OPTION A	YELLOW	SPS/NYLON GF20
C-DG	HOUSING, KEYING OPTION C	DARK GRAY	SPS/NYLON GF20
D-SG	HOUSING, KEYING OPTION D	STONE GRAY	SPS/NYLON GF20
GCP	GROMMET CAP (PLUGGED)	BLACK	SPS/NYLON GF20
PLR	PLR	NATURAL	SPS/NYLON GF20
M-R	MAT SEAL	RUST RED	INHERENTLY LUBRICATED SILICONE
M-B	MAT SEAL	ROYAL BLUE	INHERENTLY LUBRICATED SILICONE

FOR ADDITIONAL INFORMATION SEE SD-33482-0001

ASSEMBLY DESCRIPTION	ASSEMBLY PART NUMBER	COMPONENT					BLOCKED TERMINALS												STATUS	COMMENTS	OPTIONAL ATTACHMENTS SOLD SEPERATELY	
		THE PRESENCE OF AN ABBREVIATION INDICATES THE PRESENCE OF THAT COMPONENT.					CAVITY WITH A NUMBER INDICATES BLOCKED TERMINAL POSITION CAVITY WITHOUT A NUMBER INDICATES OPEN TERMINAL POSITION														BACKSHELL WITH RIBS	BACKSHELL WITHOUT RIBS
		HOUSING KEY/COLOR	GROMMET CAP	PLR	MAT SEAL	1	2	3	4	5	6	7	8	9	10	11	12					
KEY A, BLACK	33482-1201	A-BLK	GCP	PLR	M-R														PLANNED OBSOLESCENCE	SEE 33482-6201	34950-1210	34950-1220
KEY B, LIGHT GRAY	33482-1202	B-LG	GCP	PLR	M-R														PLANNED OBSOLESCENCE	SEE 33482-6202	34950-1210	34950-1220
KEY C, BROWN	33482-1203	C-BR	GCP	PLR	M-R														PLANNED OBSOLESCENCE	SEE 33482-6203	34950-1210	34950-1220
KEY D, GREEN	33482-1204	D-GR	GCP	PLR	M-R														PLANNED OBSOLESCENCE	SEE 33482-6204	34950-1210	34950-1220
VOID KEY	33482-1205																					
KEY A, BLACK	33482-1206	A-BLK	GCP	PLR	M-R						6								PLANNED OBSOLESCENCE	SEE 33482-6206	34950-1210	34950-1220
KEY B, LIGHT GRAY	33482-1207	B-LG	GCP	PLR	M-R						6								PLANNED OBSOLESCENCE	SEE 33482-6207	34950-1210	34950-1220
KEY C, BROWN	33482-1208	C-BR	GCP	PLR	M-R						6								PLANNED OBSOLESCENCE	SEE 33482-6208	34950-1210	34950-1220
KEY D, GREEN	33482-1209	D-GR	GCP	PLR	M-R						6								PLANNED OBSOLESCENCE	SEE 33482-6209	34950-1210	34950-1220
VOID KEY	33482-1210																					
KEY A, BLACK	33482-1211	A-BLK	GCP	PLR	M-R						6	7							PLANNED OBSOLESCENCE	SEE 33482-6211	34950-1210	34950-1220
KEY B, LIGHT GRAY	33482-1212	B-LG	GCP	PLR	M-R						6	7							PLANNED OBSOLESCENCE	SEE 33482-6212	34950-1210	34950-1220
KEY C, BROWN	33482-1213	C-BR	GCP	PLR	M-R						6	7							PLANNED OBSOLESCENCE	SEE 33482-6213	34950-1210	34950-1220
KEY D, GREEN	33482-1214	D-GR	GCP	PLR	M-R						6	7							PLANNED OBSOLESCENCE	SEE 33482-6214	34950-1210	34950-1220
VOID KEY	33482-1215																					
KEY A, BLACK	33482-1216	A-BLK	GCP	PLR	M-R	1					6	7							PLANNED OBSOLESCENCE	SEE 33482-6216	34950-1210	34950-1220
KEY B, LIGHT GRAY	33482-1217	B-LG	GCP	PLR	M-R	1					6	7							PLANNED OBSOLESCENCE	SEE 33482-6217	34950-1210	34950-1220
KEY C, BROWN	33482-1218	C-BR	GCP	PLR	M-R	1					6	7							PLANNED OBSOLESCENCE	SEE 33482-6218	34950-1210	34950-1220
KEY D, GREEN	33482-1219	D-GR	GCP	PLR	M-R	1					6	7							PLANNED OBSOLESCENCE	SEE 33482-6219	34950-1210	34950-1220
VOID KEY	33482-1220																					
KEY A, BLACK	33482-1221	A-BLK	GCP	PLR	M-R	1					6	7					12		PLANNED OBSOLESCENCE	SEE 33482-6221	34950-1210	34950-1220
KEY B, LIGHT GRAY	33482-1222	B-LG	GCP	PLR	M-R	1					6	7					12		PLANNED OBSOLESCENCE	SEE 33482-6222	34950-1210	34950-1220
KEY C, BROWN	33482-1223	C-BR	GCP	PLR	M-R	1					6	7					12		PLANNED OBSOLESCENCE	SEE 33482-6223	34950-1210	34950-1220
KEY D, GREEN	33482-1224	D-GR	GCP	PLR	M-R	1					6	7					12		PLANNED OBSOLESCENCE	SEE 33482-6224	34950-1210	34950-1220
VOID KEY	33482-1225																					
KEY A, BLACK	33482-1226	A-BLK	GCP	PLR	M-R						6						12		PLANNED OBSOLESCENCE	SEE 33482-6226	34950-1210	34950-1220
KEY A, BLACK	33482-1227	A-BLK	GCP	PLR	M-R	1	2	3	4	5	6	7	8	9	10	11	12		PLANNED OBSOLESCENCE	SEE 33482-6227	34950-1210	34950-1220
KEY B, LIGHT GRAY	33482-1228	B-LG	GCP	PLR	M-R	1	2	3	4	5	6	7	8	9	10	11	12		PLANNED OBSOLESCENCE	SEE 33482-6228	34950-1210	34950-1220
KEY C, BROWN	33482-1229	C-BR	GCP	PLR	M-R	1	2	3	4	5	6	7	8	9	10	11	12		PLANNED OBSOLESCENCE	SEE 33482-6229	34950-1210	34950-1220
KEY D, GREEN	33482-1230	D-GR	GCP	PLR	M-R	1	2	3	4	5	6	7	8	9	10	11	12		PLANNED OBSOLESCENCE	SEE 33482-6230	34950-1210	34950-1220
VOID KEY	33482-1231																					
KEY A, BLACK	33482-1232	A-BLK	GCP	PLR	M-R		2	3					8				11		PLANNED OBSOLESCENCE	SEE 33482-6232	34950-1210	34950-1220
KEY A, BLACK	33482-1233	A-BLK	GCP	PLR	M-R		2	3			5	6	7	8			11		PLANNED OBSOLESCENCE	SEE 33482-6233	34950-1210	34950-1220
KEY A, BLACK	33482-1234	A-BLK	GCP	PLR	M-R						6	7							PLANNED OBSOLESCENCE	SEE 33482-6234	34950-1210	34950-1220
KEY A, BLACK	33482-1235	A-BLK	GCP	PLR	M-R		2	3			6	7	8		10	11			PLANNED OBSOLESCENCE	SEE 33482-6235	34950-1210	34950-1220
KEY B, LIGHT GRAY	33482-1236	B-LG	GCP	PLR	M-R	1					5	6	7	8	9	10			PLANNED OBSOLESCENCE	SEE 33482-6236	34950-1210	34950-1220
KEY A, BLACK	33482-1237	A-BLK	GCP	PLR	M-R														PLANNED OBSOLESCENCE	SEE 33482-6237	34950-1210	34950-1220
KEY B, LIGHT GRAY	33482-1238	B-LG	GCP	PLR	M-R		2							9	10				PLANNED OBSOLESCENCE	SEE 33482-6238	34950-1210	34950-1220
KEY A, BLACK	33482-1239	A-BLK	GCP	PLR	M-R	1					5	6	7	8	9	10	11		PLANNED OBSOLESCENCE	SEE 33482-6239	34950-1210	34950-1220
KEY A, BLACK	33482-1240	A-BLK	GCP	PLR	M-R		2	3					8	9	10	11			PLANNED OBSOLESCENCE	SEE 33482-6240	34950-1210	34950-1220
KEY A, BLACK	33482-1241	A-BLK	GCP	PLR	M-R								7	8	9	10	11		PLANNED OBSOLESCENCE	SEE 33482-6241	34950-1210	34950-1220
KEY A, BLACK	33482-1242	A-BLK	GCP	PLR	M-R								7	8					PLANNED OBSOLESCENCE	SEE 33482-6242	34950-1210	34950-1220
KEY A, BLACK	33482-1243	A-BLK	GCP	PLR	M-R		2							9	10				PLANNED OBSOLESCENCE	SEE 33482-6243	34950-1210	34950-1220
KEY A, BLACK	33482-1244	A-BLK	GCP	PLR	M-R		2			4									PLANNED OBSOLESCENCE	SEE 33482-6244	34950-1210	34950-1220
KEY A, BLACK	33482-1245	A-BLK	GCP	PLR	M-R									9	10	11	12		PLANNED OBSOLESCENCE	SEE 33482-6245	34950-1210	34950-1220
KEY A, BLACK	33482-1246	A-BLK	GCP	PLR	M-R												11		PLANNED OBSOLESCENCE	SEE 33482-6246	34950-1210	34950-1220
KEY A, BLACK	33482-1247	A-BLK	GCP	PLR	M-R		2	3	4				7	8					PLANNED OBSOLESCENCE	SEE 33482-6247	34950-1210	34950-1220
KEY A, BLACK	33482-1248	A-BLK	GCP	PLR	M-R	1			3	4	5	6	7	8					PLANNED OBSOLESCENCE	SEE 33482-6248	34950-1210	34950-1220
KEY A, BLACK	33482-1249	A-BLK	GCP	PLR	M-R										10	11	12		PLANNED OBSOLESCENCE	SEE 33482-6249	34950-1210	34950-1220
KEY A, BLACK	33482-1250	A-BLK	GCP	PLR	M-R					4	5	6	7	8	9				PLANNED OBSOLESCENCE	SEE 33482-6250	34950-1210	34950-1220
KEY A, BLACK	33482-1251	A-BLK	GCP	PLR	M-R		2		4	5					10	11			PLANNED OBSOLESCENCE	SEE 33482-6251	34950-1210	34950-1220
KEY A, BLACK	33482-1252	A-BLK	GCP	PLR	M-R								7						PLANNED OBSOLESCENCE	SEE 33482-6252	34950-1210	34950-1220
KEY A, BLACK	33482-1253	A-BLK	GCP	PLR	M-R		2	3	4	5	6	7	8		10	11	12		PLANNED OBSOLESCENCE	SEE 33482-6253	34950-1210	34950-1220
KEY A, BLACK	33482-1254	A-BLK	GCP	PLR	M-R		2	3	4	5					10	11	12		PLANNED OBSOLESCENCE	SEE 33482-6254	34950-1210	34950-1220

MX150 2X6 BLADE SEALED ASSY MAT SEAL  
BOM AND PIN OUT SHEET

ASSEMBLY DESCRIPTION	ASSEMBLY PART NUMBER	COMPONENT				BLOCKED TERMINALS												STATUS	COMMENTS	OPTIONAL ATTACHMENTS SOLD SEPERATELY	
		THE PRESENCE OF AN ABBREVIATION INDICATES THE PRESENCE OF THAT COMPONENT.				CAVITY WITH A NUMBER INDICATES BLOCKED TERMINAL POSITION CAVITY WITHOUT A NUMBER INDICATES OPEN TERMINAL POSITION														BACKSHELL WITH RIBS	BACKSHELL WITHOUT RIBS
		HOUSING KEY/COLOR	GROMMET CAP	PLR	MAT SEAL	1	2	3	4	5	6	7	8	9	10	11	12				
KEY A, BLACK	33482-1255	A-BLK	GCP	PLR	M-R		2	3	4	5	6	7		9	10	11	12	PLANNED OBSOLESCENCE	SEE 33482-6255	34950-1210	34950-1220
KEY A, BLACK	33482-1256	A-BLK	GCP	PLR	M-R	1					6	7						PLANNED OBSOLESCENCE	SEE 33482-6256	34950-1210	34950-1220
KEY A, BLACK	33482-1257	A-BLK	GCP	PLR	M-R									9	10		12	PLANNED OBSOLESCENCE	SEE 33482-6257	34950-1210	34950-1220
KEY A, BLACK	33482-1258	A-BLK	GCP	PLR	M-R		2	3								11		PLANNED OBSOLESCENCE	SEE 33482-6258	34950-1210	34950-1220
KEY A, BLACK	33482-1259	A-BLK	GCP	PLR	M-R	1	2	3	4	5				9	10	11	12	PLANNED OBSOLESCENCE	SEE 33482-6259	34950-1210	34950-1220
KEY A, BLACK	33482-1260	A-BLK	GCP	PLR	M-R										11	12		PLANNED OBSOLESCENCE	SEE 33482-6260	34950-1210	34950-1220
KEY C, DARK GRAY	33482-1261	C-DG	GCP	PLR	M-R													PLANNED OBSOLESCENCE	SEE 33482-6261	34950-1210	34950-1220
KEY D, STONE GRAY	33482-1262	D-SG	GCP	PLR	M-R													PLANNED OBSOLESCENCE	SEE 33482-6262	34950-1210	34950-1220
KEY C, DARK GRAY	33482-1263	C-DG	GCP	PLR	M-R	1	2	3	4	5	6	7	8	9	10	11	12	PLANNED OBSOLESCENCE	SEE 33482-6263	34950-1210	34950-1220
KEY D, STONE GRAY	33482-1264	D-SG	GCP	PLR	M-R	1	2	3	4	5	6	7	8	9	10	11	12	PLANNED OBSOLESCENCE	SEE 33482-6264	34950-1210	34950-1220
KEY A, BLACK	33482-1265	A-BLK	GCP	PLR	M-R						6	7	8	9	10	11		PLANNED OBSOLESCENCE	SEE 33482-6265	34950-1210	34950-1220
KEY A, BLACK	33482-1266	A-BLK	GCP	PLR	M-R	1	2	3	4	5	6	7	8			12		PLANNED OBSOLESCENCE	SEE 33482-6266	34950-1210	34950-1220
KEY A, BLACK	33482-1267	A-BLK	GCP	PLR	M-R			3	4	5	6	7						PLANNED OBSOLESCENCE	SEE 33482-6267	34950-1210	34950-1220
KEY A, BLACK	33482-1268	A-BLK	GCP	PLR	M-R			3	4	5	6	7	8	9	10	11		PLANNED OBSOLESCENCE	SEE 33482-6268	34950-1210	34950-1220
KEY A, BLACK	33482-1269	A-BLK	GCP	PLR	M-R	1	2	3	4	5			8	9	10	11	12	PLANNED OBSOLESCENCE	SEE 33482-6269	34950-1210	34950-1220
KEY A, BLACK	33482-1270	A-BLK	GCP	PLR	M-R		2		4				7	8	9	10		PLANNED OBSOLESCENCE	SEE 33482-6270	34950-1210	34950-1220
KEY A, BLACK	33482-1271	A-BLK	GCP	PLR	M-R		2						7	8	9			PLANNED OBSOLESCENCE	SEE 33482-6271	34950-1210	34950-1220
KEY A, BLACK	33482-1272	A-BLK	GCP	PLR	M-R		2						7	8	9	10		PLANNED OBSOLESCENCE	SEE 33482-6272	34950-1210	34950-1220
KEY A, BLACK	33482-1273	A-BLK	GCP	PLR	M-R								8					PLANNED OBSOLESCENCE	SEE 33482-6273	34950-1210	34950-1220
KEY A, BLACK	33482-1274	A-BLK	GCP	PLR	M-R	1		3	4	5	6		8		10	11	12	PLANNED OBSOLESCENCE	SEE 33482-6274	34950-1210	34950-1220
KEY A, BLACK	33482-1275	A-BLK	GCP	PLR	M-R				4				8		10			PLANNED OBSOLESCENCE	SEE 33482-6275	34950-1210	34950-1220
KEY A, BLACK	33482-1276	A-BLK	GCP	PLR	M-R	1	2	3	4		6		8		10	11	12	PLANNED OBSOLESCENCE	SEE 33482-6276	34950-1210	34950-1220
KEY A, BLACK	33482-1277	A-BLK	GCP	PLR	M-R	1	2	3							11	12		PLANNED OBSOLESCENCE	SEE 33482-6277	34950-1210	34950-1220
KEY A, BLACK	33482-1278	A-BLK	GCP	PLR	M-R						6					12		PLANNED OBSOLESCENCE	SEE 33482-6278	34950-1210	34950-1220
KEY A, BLACK	33482-1279	A-BLK	GCP	PLR	M-R	1	2	3	4	5		7	8	9	10	11		PLANNED OBSOLESCENCE	SEE 33482-6279	34950-1210	34950-1220
KEY A, BLACK	33482-1280	A-BLK	GCP	PLR	M-R	1	2	3	4	5	6			9				PLANNED OBSOLESCENCE	SEE 33482-6280	34950-1210	34950-1220
KEY A, BLACK	33482-1281	A-BLK	GCP	PLR	M-R		2		4		6			8		10	11	PLANNED OBSOLESCENCE	SEE 33482-6281	34950-1210	34950-1220
KEY A, BLACK	33482-1282	A-BLK	GCP	PLR	M-R	1	2	3	4	5	6			9	10	11	12	PLANNED OBSOLESCENCE	SEE 33482-6282	34950-1210	34950-1220
KEY A, BLACK	33482-1283	A-BLK	GCP	PLR	M-R						6			9	10	11	12	PLANNED OBSOLESCENCE	SEE 33482-6283	34950-1210	34950-1220
KEY A, BLACK	33482-1284	A-BLK	GCP	PLR	M-R	1		3	4	5	6	7	8		10	11	12	PLANNED OBSOLESCENCE	SEE 33482-6284	34950-1210	34950-1220
KEY D, STONE GRAY	33482-1285	D-SG	GCP	PLR	M-R	1					6	7						PLANNED OBSOLESCENCE	SEE 33482-6285	34950-1210	34950-1220
KEY A, BLACK	33482-1286	A-BLK	GCP	PLR	M-R		2	3					8	9				PLANNED OBSOLESCENCE	SEE 33482-6286	34950-1210	34950-1220
KEY A, BLACK	33482-1287	A-BLK	GCP	PLR	M-R	1						7						PLANNED OBSOLESCENCE	SEE 33482-6287	34950-1210	34950-1220
KEY A, BLACK	33482-1288	A-BLK	GCP	PLR	M-R	1					6							PLANNED OBSOLESCENCE	SEE 33482-6288	34950-1210	34950-1220
KEY A, BLACK	33482-1289	A-BLK	GCP	PLR	M-R	1	2	3	4	5	6		8					PLANNED OBSOLESCENCE	SEE 33482-6289	34950-1210	34950-1220
KEY A, BLACK	33482-1290	A-BLK	GCP	PLR	M-R	1						7				12		PLANNED OBSOLESCENCE	SEE 33482-6290	34950-1210	34950-1220
KEY A, BLACK	33482-1291	A-BLK	GCP	PLR	M-R	1	2	3	4	5	6	7	8			12		PLANNED OBSOLESCENCE	SEE 33482-6291	34950-1210	34950-1220
KEY A, BLACK	33482-1292	A-BLK	GCP	PLR	M-R								9					PLANNED OBSOLESCENCE	SEE 33482-6292	34950-1210	34950-1220
KEY A, BLACK	33482-1293	A-BLK	GCP	PLR	M-R			3	4					9	10	11	12	PLANNED OBSOLESCENCE	SEE 33482-6293	34950-1210	34950-1220
KEY A, BLACK	33482-1294	A-BLK	GCP	PLR	M-R	1	2			5	6	7	8					PLANNED OBSOLESCENCE	SEE 33482-6294	34950-1210	34950-1220
KEY A, BLACK	33482-1295	A-BLK	GCP	PLR	M-R	1	2			5	6	7	8		11	12		PLANNED OBSOLESCENCE	SEE 33482-6295	34950-1210	34950-1220
KEY A, BLACK	33482-1296	A-BLK	GCP	PLR	M-R	1	2	3	4	5	6	7	8	9	10			PLANNED OBSOLESCENCE	SEE 33482-6296	34950-1210	34950-1220
KEY A, BLACK	33482-1297	A-BLK	GCP	PLR	M-R				4		6				10	11	12	PLANNED OBSOLESCENCE	SEE 33482-6297	34950-1210	34950-1220
KEY A, BLACK	33482-1298	A-BLK	GCP	PLR	M-R						6				11	12		PLANNED OBSOLESCENCE	SEE 33482-6298	34950-1210	34950-1220
KEY A, BLACK	33482-1299	A-BLK	GCP	PLR	M-R	1	2					7	8					PLANNED OBSOLESCENCE	SEE 33482-6299	34950-1210	34950-1220
KEY A, BLACK	33482-1300	A-BLK	GCP	PLR	M-R	1	2	3					8		10	11	12	PLANNED OBSOLESCENCE	SEE 33482-6300	34950-1210	34950-1220
KEY A, BLACK	33482-1301	A-BLK	GCP	PLR	M-R	1	2					7	8			12		PLANNED OBSOLESCENCE	SEE 33482-6301	34950-1210	34950-1220
KEY B, LIGHT GRAY	33482-1302	B-LG	GCP	PLR	M-R										10	11		PLANNED OBSOLESCENCE	SEE 33482-6302	34950-1210	34950-1220
KEY A, BLACK	33482-1303	A-BLK	GCP	PLR	M-R	1	2	3	4			7	8	9	10		12	PLANNED OBSOLESCENCE	SEE 33482-6303	34950-1210	34950-1220
KEY A, BLACK	33482-1304	A-BLK	GCP	PLR	M-R	1	2	3	4			7	8	9	10			PLANNED OBSOLESCENCE	SEE 33482-6304	34950-1210	34950-1220
KEY B, LIGHT GRAY	33482-1305	B-LG	GCP	PLR	M-R										10	11	12	PLANNED OBSOLESCENCE	SEE 33482-6305	34950-1210	34950-1220
KEY B, LIGHT GRAY	33482-1306	B-LG	GCP	PLR	M-R	1	2	3	4	5	6	7	8	9	10	11	12	PLANNED OBSOLESCENCE	SEE 33482-6306	34950-1210	34950-1220
KEY A, BLACK	33482-1307	A-BLK	GCP	PLR	M-R	1	2											PLANNED OBSOLESCENCE	SEE 33482-6307	34950-1210	34950-1220
KEY A, BLACK	33482-1308	A-BLK	GCP	PLR	M-R							7	8	9	10	11	12	PLANNED OBSOLESCENCE	SEE 33482-6308	34950-1210	34950-1220
KEY A, BLACK	33482-1309	A-BLK	GCP	PLR	M-R	1							8		10	11		PLANNED OBSOLESCENCE	SEE 33482-6309	34950-1210	34950-1220
KEY A, BLACK	33482-1310	A-BLK	GCP	PLR	M-R	1			4							11		PLANNED OBSOLESCENCE	SEE 33482-6310	34950-1210	34950-1220
KEY A, BLACK	33482-1311	A-BLK	GCP	PLR	M-R	1	2		4	5	6	7		9	10	11	12	PLANNED OBSOLESCENCE	SEE 33482-6311	34950-1210	34950-1220
KEY A, BLACK	33482-1312	A-BLK	GCP	PLR	M-R								8	9				PLANNED OBSOLESCENCE	SEE 33482-6312	34950-1210	34950-1220
KEY A, BLACK	33482-1313	A-BLK	GCP	PLR	M-R			3	4	5	6		8	9	10	11		PLANNED OBSOLESCENCE	SEE 33482-6313	34950-1210	34950-1220
KEY A, BLACK	33482-1314	A-BLK	GCP	PLR	M-R			3			6	7	8	9	10			PLANNED OBSOLESCENCE	SEE 33482-6314	34950-1210	34950-1220
KEY A, BLACK	33482-1315	A-BLK	GCP	PLR	M-R						6	7	8	9				PLANNED OBSOLESCENCE	SEE 33482-6315	34950-1210	34950-1220
KEY A, BLACK	33482-1316	A-BLK	GCP	PLR	M-R					5	6	7	8			11		PLANNED OBSOLESCENCE	SEE 33482-6316	34950-1210	34950-1220
KEY A, BLACK	33482-1317	A-BLK	GCP	PLR	M-R	1	2											PLANNED OBSOLESCENCE	SEE 33482-6317	34950-1210	34950-1220
KEY A, BLACK	33482-1318	A-BLK	GCP	PLR	M-R	1	2	3	4	5	6	7	8					PLANNED OBSOLESCENCE	SEE 33482-6318	34950-1210	34950-1220
KEY A, BLACK	33482-1319	A-BLK	GCP	PLR	M-R	1	2	3	4	5	6	7	8	9				PLANNED OBSOLESCENCE	SEE 33482-6319	34950-1210	34950-1220
KEY C, DARK GRAY	33482-1320	C-DG	GCP	PLR	M-R	1					6	7						PLANNED OBSOLESCENCE	SEE 33482-6320	34950-1210	34950-1220
KEY C, BROWN	33482-1321	C-BR	GCP	PLR	M-R	1	2	3	4	5	6							PLANNED OBSOLESCENCE	SEE 33482-6321	34950-1210	34950-1220
KEY C, BROWN	33482-1322	C-BR	GCP	PLR	M-R	1	2			5	6							PLANNED OBSOLESCENCE	SEE 33482-6322	34950-1210	34950-1220



MX150 2X6 BLADE SEALED ASSY MAT SEAL  
BOM AND PIN OUT SHEET

ASSEMBLY DESCRIPTION	ASSEMBLY PART NUMBER	COMPONENT				BLOCKED TERMINALS												STATUS	COMMENTS	OPTIONAL ATTACHMENTS SOLD SEPERATELY		
		THE PRESENCE OF AN ABBREVIATION INDICATES THE PRESENCE OF THAT COMPONENT.				CAVITY WITH A NUMBER INDICATES BLOCKED TERMINAL POSITION CAVITY WITHOUT A NUMBER INDICATES OPEN TERMINAL POSITION														BACKSHELL WITH RIBS	BACKSHELL WITHOUT RIBS	
		HOUSING KEY/COLOR	GROMMET CAP	PLR	MAT SEAL	1	2	3	4	5	6	7	8	9	10	11	12					
KEY A, BLACK	33482-1334	A-BLK	GCP	PLR	M-R				4	5			8			10		PLANNED OBSOLESCENCE	SEE 33482-6334	34950-1210	34950-1220	
KEY A, BLACK	33482-1335	A-BLK	GCP	PLR	M-R	1	2		4	5	6	7				12		PLANNED OBSOLESCENCE	SEE 33482-6335	34950-1210	34950-1220	
KEY A, YELLOW	33482-1336	A-YL	GCP	PLR	M-R													PLANNED OBSOLESCENCE	SEE 33482-6336	34950-1210	34950-1220	
KEY B, LIGHT GRAY	33482-1337	B-LG	GCP	PLR	M-R					5			8					PLANNED OBSOLESCENCE	SEE 33482-6337	34950-1210	34950-1220	
KEY B, LIGHT GRAY	33482-1338	B-LG	GCP	PLR	M-R					5			8			11	12	PLANNED OBSOLESCENCE	SEE 33482-6338	34950-1210	34950-1220	
KEY B, LIGHT GRAY	33482-1339	B-LG	GCP	PLR	M-R			3	4	5			8	9	10	11	12	PLANNED OBSOLESCENCE	SEE 33482-6339	34950-1210	34950-1220	
KEY B, LIGHT GRAY	33482-1340	B-LG	GCP	PLR	M-R	1	2	3	4	5			8	9	10	11	12	PLANNED OBSOLESCENCE	SEE 33482-6340	34950-1210	34950-1220	
KEY A, BLACK	33482-1341	A-BLK	GCP	PLR	M-R	1	2	3		5			9			11		PLANNED OBSOLESCENCE	SEE 33482-6341	34950-1210	34950-1220	
KEY A, BLACK	33482-1342	A-BLK	GCP	PLR	M-R		2	3		5						11		PLANNED OBSOLESCENCE	SEE 33482-6342	34950-1210	34950-1220	
KEY A, BLACK	33482-1343	A-BLK	GCP	PLR	M-R	1	2	3								11		PLANNED OBSOLESCENCE	SEE 33482-6343	34950-1210	34950-1220	
KEY A, BLACK	33482-1344	A-BLK	GCP	PLR	M-R	1	2	3	4	5						11	12	PLANNED OBSOLESCENCE	SEE 33482-6344	34950-1210	34950-1220	
KEY A, BLACK	33482-1345	A-BLK	GCP	PLR	M-R		2	3	4	5						11	12	PLANNED OBSOLESCENCE	SEE 33482-6345	34950-1210	34950-1220	
KEY A, BLACK	33482-1346	A-BLK	GCP	PLR	M-R	1												PLANNED OBSOLESCENCE	SEE 33482-6346	34950-1210	34950-1220	
KEY A, BLACK	33482-1347	A-BLK	GCP	PLR	M-R	1	2	3										PLANNED OBSOLESCENCE	SEE 33482-6347	34950-1210	34950-1220	
KEY B, LIGHT GRAY	33482-1348	B-LG	GCP	PLR	M-R	1	2	3	4		6					11	12	PLANNED OBSOLESCENCE	SEE 33482-6348	34950-1210	34950-1220	
KEY A, BLACK	33482-1349	A-BLK	GCP	PLR	M-R				4			7	8					PLANNED OBSOLESCENCE	SEE 33482-6349	34950-1210	34950-1220	
KEY A, BLACK	33482-1350	A-BLK	GCP	PLR	M-R		2					8						PLANNED OBSOLESCENCE	SEE 33482-6350	34950-1210	34950-1220	
KEY A, BLACK	33482-1351	A-BLK	GCP	PLR	M-R		2		4						10			PLANNED OBSOLESCENCE	SEE 33482-6351	34950-1210	34950-1220	
KEY A, BLACK	33482-1352	A-BLK	GCP	PLR	M-R	1	2	3	4	5	6		8		10	11	12	PLANNED OBSOLESCENCE	SEE 33482-6352	34950-1210	34950-1220	
KEY A, BLACK	33482-1353	A-BLK	GCP	PLR	M-R	1				6	7	8				12		PLANNED OBSOLESCENCE	SEE 33482-6353	34950-1210	34950-1220	
KEY A, BLACK	33482-1354	A-BLK	GCP	PLR	M-R		2	3	4		6				10	11	12	PLANNED OBSOLESCENCE	SEE 33482-6354	34950-1210	34950-1220	
KEY A, BLACK	33482-1355	A-BLK	GCP	PLR	M-R		2			6	7	8			10	11		PLANNED OBSOLESCENCE	SEE 33482-6355	34950-1210	34950-1220	
KEY A, BLACK	33482-1356	A-BLK	GCP	PLR	M-R	1	2	3	4		6				10	11	12	PLANNED OBSOLESCENCE	SEE 33482-6356	34950-1210	34950-1220	
KEY A, BLACK	33482-1357	A-BLK	GCP	PLR	M-R					5			8					PLANNED OBSOLESCENCE	SEE 33482-6357	34950-1210	34950-1220	
KEY A, BLACK	33482-1358	A-BLK	GCP	PLR	M-R				4						10			PLANNED OBSOLESCENCE	SEE 33482-6358	34950-1210	34950-1220	
KEY A, BLACK	33482-1359	A-BLK	GCP	PLR	M-R				4			7	8	9	10	11	12	PLANNED OBSOLESCENCE	SEE 33482-6359	34950-1210	34950-1220	
KEY A, BLACK	33482-1360	A-BLK	GCP	PLR	M-R					5	6		8	9	10	11	12	PLANNED OBSOLESCENCE	SEE 33482-6360	34950-1210	34950-1220	
KEY A, BLACK	33482-1361	A-BLK	GCP	PLR	M-R				4	5	6		8	9	10	11	12	PLANNED OBSOLESCENCE	SEE 33482-6361	34950-1210	34950-1220	
KEY A, BLACK	33482-1362	A-BLK	GCP	PLR	M-R	1	2	3		5	6	7	8	9		11	12	PLANNED OBSOLESCENCE	SEE 33482-6362	34950-1210	34950-1220	
KEY A, BLACK	33482-1363	A-BLK	GCP	PLR	M-R				4	5		7	8	9	10	11	12	PLANNED OBSOLESCENCE	SEE 33482-6363	34950-1210	34950-1220	
KEY A, BLACK	33482-1364	A-BLK	GCP	PLR	M-R				4			7		9	10			PLANNED OBSOLESCENCE	SEE 33482-6364	34950-1210	34950-1220	
KEY A, BLACK	33482-1365	A-BLK	GCP	PLR	M-R					6	7	8	9	10	11	12		PLANNED OBSOLESCENCE	SEE 33482-6365	34950-1210	34950-1220	
KEY A, BLACK	33482-1366	A-BLK	GCP	PLR	M-R	1	2			6	7				11	12		PLANNED OBSOLESCENCE	SEE 33482-6366	34950-1210	34950-1220	
KEY A, BLACK	33482-1367	A-BLK	GCP	PLR	M-R					5			8					PLANNED OBSOLESCENCE	SEE 33482-6367	34950-1210	34950-1220	
KEY A, BLACK	33482-1368	A-BLK	GCP	PLR	M-R	1	2	3	4			7	8	9	10	11	12	PLANNED OBSOLESCENCE	SEE 33482-6368	34950-1210	34950-1220	
KEY A, BLACK	33482-1369	A-BLK	GCP	PLR	M-R				4									PLANNED OBSOLESCENCE	SEE 33482-6369	34950-1210	34950-1220	
KEY A, BLACK	33482-1370	A-BLK	GCP	PLR	M-R	1	2	3			6	7			10	11	12	PLANNED OBSOLESCENCE	SEE 33482-6370	34950-1210	34950-1220	
KEY A, BLACK	33482-1371	A-BLK	GCP	PLR	M-R							7	8			11		PLANNED OBSOLESCENCE	SEE 33482-6371	34950-1210	34950-1220	
KEY A, BLACK	33482-1372	A-BLK	GCP	PLR	M-R	1		3		5			8			10	12	PLANNED OBSOLESCENCE	SEE 33482-6372	34950-1210	34950-1220	
KEY A, BLACK	33482-1373	A-BLK	GCP	PLR	M-R		2		4		6	7		9		11		PLANNED OBSOLESCENCE	SEE 33482-6373	34950-1210	34950-1220	
KEY A, BLACK	33482-1374	A-BLK	GCP	PLR	M-R		2									11	12	PLANNED OBSOLESCENCE	SEE 33482-6374	34950-1210	34950-1220	
KEY A, BLACK	33482-1375	A-BLK	GCP	PLR	M-R							7		9	10			PLANNED OBSOLESCENCE	SEE 33482-6375	34950-1210	34950-1220	
KEY A, BLACK	33482-1376	A-BLK	GCP	PLR	M-R		2		4			7						PLANNED OBSOLESCENCE	SEE 33482-6376	34950-1210	34950-1220	
KEY A, BLACK	33482-1377	A-BLK	GCP	PLR	M-R	1	2	3	4		6			9	10	11	12	PLANNED OBSOLESCENCE	SEE 33482-6377	34950-1210	34950-1220	
KEY A, BLACK	33482-1378	A-BLK	GCP	PLR	M-R	1		3		5					11	12		PLANNED OBSOLESCENCE	SEE 33482-6378	34950-1210	34950-1220	
KEY A, BLACK	33482-1379	A-BLK	GCP	PLR	M-R	1		3		5				8		10	11	12	PLANNED OBSOLESCENCE	SEE 33482-6379	34950-1210	34950-1220
KEY A, BLACK	33482-1380	A-BLK	GCP	PLR	M-R							7	8					PLANNED OBSOLESCENCE	SEE 33482-6380	34950-1210	34950-1220	
KEY A, BLACK	33482-1381	A-BLK	GCP	PLR	M-R		2		4			7	8					PLANNED OBSOLESCENCE	SEE 33482-6381	34950-1210	34950-1220	
KEY A, BLACK	33482-1382	A-BLK	GCP	PLR	M-R				4	5	6				10	11		PLANNED OBSOLESCENCE	SEE 33482-6382	34950-1210	34950-1220	
KEY A, BLACK	33482-1383	A-BLK	GCP	PLR	M-R	1	2	3	4			7	8	9	10	11		PLANNED OBSOLESCENCE	SEE 33482-6383	34950-1210	34950-1220	
KEY A, BLACK	33482-1384	A-BLK	GCP	PLR	M-R			3	4					9	10			PLANNED OBSOLESCENCE	SEE 33482-6384	34950-1210	34950-1220	
KEY A, BLACK	33482-1385	A-BLK	GCP	PLR	M-R				3	4					11	12		PLANNED OBSOLESCENCE	SEE 33482-6385	34950-1210	34950-1220	
KEY A, BLACK	33482-1386	A-BLK	GCP	PLR	M-R	1	2	3	4		6	7	8	9	10	11		PLANNED OBSOLESCENCE	SEE 33482-6386	34950-1210	34950-1220	
KEY A, BLACK	33482-1387	A-BLK	GCP	PLR	M-R	1	2	3	4	5	6	7	8	9		12		PLANNED OBSOLESCENCE	SEE 33482-6387	34950-1210	34950-1220	
KEY A, BLACK	33482-1388	A-BLK	GCP	PLR	M-R	1	2	3							10	11	12	PLANNED OBSOLESCENCE	SEE 33482-6388	34950-1210	34950-1220	
KEY A, BLACK	33482-1389	A-BLK	GCP	PLR	M-R	1	2	3			6					11	12	PLANNED OBSOLESCENCE	SEE 33482-6389	34950-1210	34950-1220	
KEY A, BLACK	33482-1390	A-BLK	GCP	PLR	M-R			3	4							11		PLANNED OBSOLESCENCE	SEE 33482-6390	34950-1210	34950-1220	
KEY A, BLACK	33482-1391	A-BLK	GCP	PLR	M-R	1	2	3			6				10	11	12	PLANNED OBSOLESCENCE	SEE 33482-6391	34950-1210	34950-1220	
KEY A, BLACK	33482-1392	A-BLK	GCP	PLR	M-R	1		3	4							11	12	PLANNED OBSOLESCENCE	SEE 33482-6392	34950-1210	34950-1220	
KEY A, BLACK	33482-1393	A-BLK	GCP	PLR	M-R				4	5		7				11	12	PLANNED OBSOLESCENCE	SEE 33482-6393	34950-1210	34950-1220	
KEY B, LIGHT GRAY	33482-1394	B-LG	GCP	PLR	M-R	1	2	3	4				8	9	10	11	12	PLANNED OBSOLESCENCE	SEE 33482-6394	34950-1210	34950-1220	
KEY B, LIGHT GRAY	33482-1395	B-LG	GCP	PLR	M-R	1	2	3	4				8	9	10			PLANNED OBSOLESCENCE	SEE 33482-6395	34950-1210	34950-1220	
KEY A, BLACK	33482-1396	A-BLK	GCP	PLR	M-R						6	7	8	9	10			PLANNED OBSOLESCENCE	SEE 33482-6396	34950-1210	34950-1220	
KEY A, BLACK	33482-1397	A-BLK	GCP	PLR	M-R				4		6							PLANNED OBSOLESCENCE	SEE 33482-6397	34950-1210	34950-1220	
KEY A, BLACK	33482-1398	A-BLK	GCP	PLR	M-R				4	5	6	7				11	12	PLANNED OBSOLESCENCE	SEE 33482-6398	34950-1210	34950-1220	
KEY A, BLACK	33482-1399	A-BLK	GCP	PLR	M-R	1	2	3	4	5	6	7	8			11	12	PLANNED OBSOLESCENCE	SEE 33482-6399	34950-1210	34950-1220	
KEY A, BLACK	33482-1400	A-BLK	GCP	PLR	M-R	1	2	3				7	8					PLANNED OBSOLESCENCE	SEE 33482-6400	34950-1210	34950-1220	
KEY A, BLACK	33482-1401	A-BLK	GCP	PLR	M-R	1	2	3				7	8	9	10			PLANNED OBSOLESCENCE	SEE 33482-6401	34950-1210	34950-1220	
KEY A, BLACK																						

MX150 2X6 BLADE SEALED ASSY MAT SEAL  
BOM AND PIN OUT SHEET

ASSEMBLY DESCRIPTION	ASSEMBLY PART NUMBER	COMPONENT				BLOCKED TERMINALS												STATUS	COMMENTS	OPTIONAL ATTACHMENTS SOLD SEPERATELY		
		THE PRESENCE OF AN ABBREVIATION INDICATES THE PRESENCE OF THAT COMPONENT.				CAVITY WITH A NUMBER INDICATES BLOCKED TERMINAL POSITION CAVITY WITHOUT A NUMBER INDICATES OPEN TERMINAL POSITION														BACKSHELL WITH RIBS	BACKSHELL WITHOUT RIBS	
		HOUSING KEY/COLOR	GROMMET CAP	PLR	MAT SEAL	1	2	3	4	5	6	7	8	9	10	11	12					
KEY A, BLACK	33482-1413	A-BLK	GCP	PLR	M-R	1		3		5						11		PLANNED OBSOLESCENCE	SEE 33482-6413	34950-1210	34950-1220	
KEY A, BLACK	33482-1414	A-BLK	GCP	PLR	M-R	1		3		5		8		10		11		PLANNED OBSOLESCENCE	SEE 33482-6414	34950-1210	34950-1220	
KEY A, BLACK	33482-1415	A-BLK	GCP	PLR	M-R		2	3		5	6	7	9		11	12		PLANNED OBSOLESCENCE	SEE 33482-6415	34950-1210	34950-1220	
KEY A, BLACK	33482-1416	A-BLK	GCP	PLR	M-R	1			4	5	6	8		10		12		PLANNED OBSOLESCENCE	SEE 33482-6416	34950-1210	34950-1220	
KEY A, BLACK	33482-1417	A-BLK	GCP	PLR	M-R	1			4	5		8		10		12		PLANNED OBSOLESCENCE	SEE 33482-6417	34950-1210	34950-1220	
KEY A, BLACK	33482-1418	A-BLK	GCP	PLR	M-R	1	2	3	4	5		8		10	11	12		PLANNED OBSOLESCENCE	SEE 33482-6418	34950-1210	34950-1220	
KEY A, BLACK	33482-1419	A-BLK	GCP	PLR	M-R		2	3		5	6	7	9	10	11	12		PLANNED OBSOLESCENCE	SEE 33482-6419	34950-1210	34950-1220	
KEY A, BLACK	33482-1420	A-BLK	GCP	PLR	M-R	1	2	3	4			8	9					PLANNED OBSOLESCENCE	SEE 33482-6420	34950-1210	34950-1220	
KEY A, BLACK	33482-1421	A-BLK	GCP	PLR	M-R		2	3					9					PLANNED OBSOLESCENCE	SEE 33482-6421	34950-1210	34950-1220	
KEY A, BLACK	33482-1422	A-BLK	GCP	PLR	M-R							8		10	11			PLANNED OBSOLESCENCE	SEE 33482-6422	34950-1210	34950-1220	
KEY A, BLACK	33482-1423	A-BLK	GCP	PLR	M-R	1		3		5					11			PLANNED OBSOLESCENCE	SEE 33482-6423	34950-1210	34950-1220	
KEY A, BLACK	33482-1424	A-BLK	GCP	PLR	M-R	1		3		5		8		10	11			PLANNED OBSOLESCENCE	SEE 33482-6424	34950-1210	34950-1220	
KEY A, BLACK	33482-1425	A-BLK	GCP	PLR	M-R		2		4		6	7	8	9	10	11	12		PLANNED OBSOLESCENCE	SEE 33482-6425	34950-1210	34950-1220
KEY A, BLACK	33482-1426	A-BLK	GCP	PLR	M-R			3	4						11	12		PLANNED OBSOLESCENCE	SEE 33482-6426	34950-1210	34950-1220	
KEY A, BLACK	33482-1427	A-BLK	GCP	PLR	M-R			3	4					9	10	11	12		PLANNED OBSOLESCENCE	SEE 33482-6427	34950-1210	34950-1220
KEY A, BLACK	33482-1428	A-BLK	GCP	PLR	M-R	1	2			5	6	7	8	9	10			PLANNED OBSOLESCENCE	SEE 33482-6428	34950-1210	34950-1220	
KEY A, BLACK	33482-1429	A-BLK	GCP	PLR	M-R							9	10					PLANNED OBSOLESCENCE	SEE 33482-6429	34950-1210	34950-1220	
KEY A, BLACK	33482-1430	A-BLK	GCP	PLR	M-R			3	4	5	6	8	9					PLANNED OBSOLESCENCE	SEE 33482-6430	34950-1210	34950-1220	
KEY B, LIGHT GRAY	33482-1431	B-LG	GCP	PLR	M-R	1	2	3	4			8			11	12		PLANNED OBSOLESCENCE	SEE 33482-6431	34950-1210	34950-1220	
KEY B, LIGHT GRAY	33482-1432	B-LG	GCP	PLR	M-R	1	2	3	4			8						PLANNED OBSOLESCENCE	SEE 33482-6432	34950-1210	34950-1220	
KEY A, BLACK	33482-1433	A-BLK	GCP	PLR	M-R									10	11	12		PLANNED OBSOLESCENCE	SEE 33482-6433	34950-1210	34950-1220	
KEY B, LIGHT GRAY	33482-1434	B-LG	GCP	PLR	M-R							7	8	9		12		PLANNED OBSOLESCENCE	SEE 33482-6434	34950-1210	34950-1220	
KEY A, BLACK	33482-1435	A-BLK	GCP	PLR	M-R							7	8	9	10	11	12		PLANNED OBSOLESCENCE	SEE 33482-6435	34950-1210	34950-1220
KEY A, BLACK	33482-1436	A-BLK	GCP	PLR	M-R		2					8	9	10	11	12		PLANNED OBSOLESCENCE	SEE 33482-6436	34950-1210	34950-1220	
KEY A, BLACK	33482-1437	A-BLK	GCP	PLR	M-R		2					8	9					PLANNED OBSOLESCENCE	SEE 33482-6437	34950-1210	34950-1220	
KEY B, LIGHT GRAY	33482-1438	B-LG	GCP	PLR	M-R	1	2	3	4			8			11	12		PLANNED OBSOLESCENCE	SEE 33482-6438	34950-1210	34950-1220	
KEY B, LIGHT GRAY	33482-1439	B-LG	GCP	PLR	M-R	1	2	3	4			8						PLANNED OBSOLESCENCE	SEE 33482-6439	34950-1210	34950-1220	
KEY A, BLACK	33482-1440	A-BLK	GCP	PLR	M-R	1	2				6			9	10			PLANNED OBSOLESCENCE	SEE 33482-6440	34950-1210	34950-1220	
KEY A, BLACK	33482-1441	A-BLK	GCP	PLR	M-R	1	2	3			6	7		10	11	12		PLANNED OBSOLESCENCE	SEE 33482-6441	34950-1210	34950-1220	
KEY A, BLACK	33482-1442	A-BLK	GCP	PLR	M-R		2		4		6		8					PLANNED OBSOLESCENCE	SEE 33482-6442	34950-1210	34950-1220	
KEY A, BLACK	33482-1443	A-BLK	GCP	PLR	M-R		2		4		6							PLANNED OBSOLESCENCE	SEE 33482-6443	34950-1210	34950-1220	
KEY A, BLACK	33482-1444	A-BLK	GCP	PLR	M-R			3	4		6		8	9				PLANNED OBSOLESCENCE	SEE 33482-6444	34950-1210	34950-1220	
KEY A, BLACK	33482-1445	A-BLK	GCP	PLR	M-R			4	4			7	9	10	11	12		PLANNED OBSOLESCENCE	SEE 33482-6445	34950-1210	34950-1220	
KEY C, DARK GRAY	33482-1446	C-DG	GCP	PLR	M-R			3	4									PLANNED OBSOLESCENCE	SEE 33482-6446	34950-1210	34950-1220	
KEY A, BLACK	33482-1447	A-BLK	GCP	PLR	M-R	1	2	3			6		8		11	12		PLANNED OBSOLESCENCE	SEE 33482-6447	34950-1210	34950-1220	
KEY A, BLACK	33482-1448	A-BLK	GCP	PLR	M-R					5	6	7	8	9	10			PLANNED OBSOLESCENCE	SEE 33482-6448	34950-1210	34950-1220	
KEY A, BLACK	33482-6201	A-BLK	GCP	PLR	M-B													SALEABLE		34950-1210	34950-1220	
KEY B, LIGHT GRAY	33482-6202	B-LG	GCP	PLR	M-B													SALEABLE		34950-1210	34950-1220	
KEY C, BROWN	33482-6203	C-BR	GCP	PLR	M-B													NOT RECOMMENDED	SEE 33482-6261	34950-1210	34950-1220	
KEY D, GREEN	33482-6204	D-GR	GCP	PLR	M-B													NOT RECOMMENDED	SEE 33482-6262	34950-1210	34950-1220	
VOID KEY	33482-6205																					
KEY A, BLACK	33482-6206	A-BLK	GCP	PLR	M-B						6							SALEABLE		34950-1210	34950-1220	
KEY B, LIGHT GRAY	33482-6207	B-LG	GCP	PLR	M-B						6							SALEABLE		34950-1210	34950-1220	
KEY C, BROWN	33482-6208	C-BR	GCP	PLR	M-B						6							NOT RECOMMENDED		34950-1210	34950-1220	
KEY D, GREEN	33482-6209	D-GR	GCP	PLR	M-B						6							NOT RECOMMENDED		34950-1210	34950-1220	
VOID KEY	33482-6210																					
KEY A, BLACK	33482-6211	A-BLK	GCP	PLR	M-B						6	7						SALEABLE		34950-1210	34950-1220	
KEY B, LIGHT GRAY	33482-6212	B-LG	GCP	PLR	M-B						6	7						SALEABLE		34950-1210	34950-1220	
KEY C, BROWN	33482-6213	C-BR	GCP	PLR	M-B						6	7						NOT RECOMMENDED		34950-1210	34950-1220	
KEY D, GREEN	33482-6214	D-GR	GCP	PLR	M-B						6	7						NOT RECOMMENDED		34950-1210	34950-1220	
VOID KEY	33482-6215																					
KEY A, BLACK	33482-6216	A-BLK	GCP	PLR	M-B	1					6	7						SALEABLE		34950-1210	34950-1220	
KEY B, LIGHT GRAY	33482-6217	B-LG	GCP	PLR	M-B	1					6	7						SALEABLE		34950-1210	34950-1220	
KEY C, BROWN	33482-6218	C-BR	GCP	PLR	M-B	1					6	7						NOT RECOMMENDED	SEE 33482-6320	34950-1210	34950-1220	
KEY D, GREEN	33482-6219	D-GR	GCP	PLR	M-B	1					6	7						NOT RECOMMENDED	SEE 33482-6285	34950-1210	34950-1220	
VOID KEY	33482-6220																					
KEY A, BLACK	33482-6221	A-BLK	GCP	PLR	M-B	1					6	7				12		SALEABLE		34950-1210	34950-1220	
KEY B, LIGHT GRAY	33482-6222	B-LG	GCP	PLR	M-B	1					6	7				12		SALEABLE		34950-1210	34950-1220	
KEY C, BROWN	33482-6223	C-BR	GCP	PLR	M-B	1					6	7				12		NOT RECOMMENDED		34950-1210	34950-1220	
KEY D, GREEN	33482-6224	D-GR	GCP	PLR	M-B	1					6	7				12		NOT RECOMMENDED		34950-1210	34950-1220	
VOID KEY	33482-6225																					
KEY A, BLACK	33482-6226	A-BLK	GCP	PLR	M-B						6					12		SALEABLE		34950-1210	34950-1220	
KEY A, BLACK	33482-6227	A-BLK	GCP	PLR	M-B	1	2	3	4	5	6	7	8	9	10	11	12		SALEABLE		34950-1210	34950-1220
KEY B, LIGHT GRAY	33482-6228	B-LG	GCP	PLR	M-B	1	2	3	4	5	6	7	8	9	10	11	12		SALEABLE		34950-1210	34950-1220
KEY C, BROWN	33482-6229	C-BR	GCP	PLR	M-B	1	2	3	4	5	6	7	8	9	10	11	12		NOT RECOMMENDED	SEE 33482-6263	34950-1210	34950-1220
KEY D, GREEN	33482-6230	D-GR	GCP	PLR	M-B	1	2	3	4	5	6	7	8	9	10	11	12		NOT RECOMMENDED	SEE 33482-6264	34950-1210	34950-1220
VOID KEY	33482-6231																					
KEY A, BLACK	33482-6232	A-BLK	GCP	PLR	M-B		2	3				8			11			SALEABLE		34950-1210	34950-1220	
KEY A, BLACK	33482-6233	A-BLK	GCP	PLR	M-B		2	3		5	6	7	8		11			SALEABLE		34950-1210	34950-1220	
KEY A, BLACK	33482-6234	A-BLK	GCP	PLR	M-B						6	7						SALEABLE		34950-1210	34950-1220	
KEY A, BLACK	33482-6235	A-BLK	GCP	PLR	M-B		2	3			6	7	8		10	11		SALEABLE		34950-1210	34950-1220	
KEY B, LIGHT GRAY	33482-6236	B-LG	GCP	PLR	M-B	1				5	6	7	8	9	10			SALEABLE		34950-1210	34950-1220	
KEY A, BLACK	33482-6237	A-BLK	GCP	PLR	M-B		2											SALEABLE		34950-1210	34950-1220	
KEY B, LIGHT GRAY	33482-6238	B-LG	G																			



MX150 2X6 BLADE SEALED ASSY MAT SEAL  
BOM AND PIN OUT SHEET

ASSEMBLY DESCRIPTION	ASSEMBLY PART NUMBER	COMPONENT				BLOCKED TERMINALS												STATUS	COMMENTS	OPTIONAL ATTACHMENTS SOLD SEPERATELY	
		THE PRESENCE OF AN ABBREVIATION INDICATES THE PRESENCE OF THAT COMPONENT.				CAVITY WITH A NUMBER INDICATES BLOCKED TERMINAL POSITION CAVITY WITHOUT A NUMBER INDICATES OPEN TERMINAL POSITION														BACKSHELL WITH RIBS	BACKSHELL WITHOUT RIBS
		HOUSING KEY/COLOR	GROMMET CAP	PLR	MAT SEAL	1	2	3	4	5	6	7	8	9	10	11	12				
KEY A, BLACK	33482-6323	A-BLK	GCP	PLR	M-B			3				7		9	10	11	12	SALEABLE		34950-1210	34950-1220
KEY A, BLACK	33482-6324	A-BLK	GCP	PLR	M-B			3						9	10	11	12	SALEABLE		34950-1210	34950-1220
KEY A, BLACK	33482-6325	A-BLK	GCP	PLR	M-B			3						9				SALEABLE		34950-1210	34950-1220
KEY A, BLACK	33482-6326	A-BLK	GCP	PLR	M-B					5	6	7			10	11		SALEABLE		34950-1210	34950-1220
KEY A, BLACK	33482-6327	A-BLK	GCP	PLR	M-B							7				11		SALEABLE		34950-1210	34950-1220
KEY C, DARK GRAY	33482-6328	C-DG	GCP	PLR	M-B	1	2	3	4	5	6							SALEABLE		34950-1210	34950-1220
KEY C, DARK GRAY	33482-6329	C-DG	GCP	PLR	M-B	1	2			5	6							SALEABLE		34950-1210	34950-1220
KEY A, BLACK	33482-6330	A-BLK	GCP	PLR	M-B	1	2	3	4					9	10	11	12	SALEABLE		34950-1210	34950-1220
KEY A, BLACK	33482-6331	A-BLK	GCP	PLR	M-B	1	2				6	7	8			12		SALEABLE		34950-1210	34950-1220
KEY A, BLACK	33482-6332	A-BLK	GCP	PLR	M-B				4	5		7	8	9	10			SALEABLE		34950-1210	34950-1220
KEY A, BLACK	33482-6333	A-BLK	GCP	PLR	M-B				4					9	10			SALEABLE		34950-1210	34950-1220
KEY A, BLACK	33482-6334	A-BLK	GCP	PLR	M-B				4	5			8		10			SALEABLE		34950-1210	34950-1220
KEY A, BLACK	33482-6335	A-BLK	GCP	PLR	M-B	1	2		4	5	6	7					12	SALEABLE		34950-1210	34950-1220
KEY A, YELLOW	33482-6336	A-YL	GCP	PLR	M-B													SALEABLE		34950-1210	34950-1220
KEY B, LIGHT GRAY	33482-6337	B-LG	GCP	PLR	M-B					5			8					SALEABLE		34950-1210	34950-1220
KEY B, LIGHT GRAY	33482-6338	B-LG	GCP	PLR	M-B					5			8			11	12	SALEABLE		34950-1210	34950-1220
KEY B, LIGHT GRAY	33482-6339	B-LG	GCP	PLR	M-B				3	4	5			9	10	11	12	SALEABLE		34950-1210	34950-1220
KEY B, LIGHT GRAY	33482-6340	B-LG	GCP	PLR	M-B	1	2	3	4	5			8	9	10	11	12	SALEABLE		34950-1210	34950-1220
KEY A, BLACK	33482-6341	A-BLK	GCP	PLR	M-B	1	2	3		5				9		11		SALEABLE		34950-1210	34950-1220
KEY A, BLACK	33482-6342	A-BLK	GCP	PLR	M-B			2	3		5					11		SALEABLE		34950-1210	34950-1220
KEY A, BLACK	33482-6343	A-BLK	GCP	PLR	M-B	1	2	3						9		11		SALEABLE		34950-1210	34950-1220
KEY A, BLACK	33482-6344	A-BLK	GCP	PLR	M-B	1	2	3	4	5				9		11	12	SALEABLE		34950-1210	34950-1220
KEY A, BLACK	33482-6345	A-BLK	GCP	PLR	M-B			2	3	4	5					11	12	SALEABLE		34950-1210	34950-1220
KEY A, BLACK	33482-6346	A-BLK	GCP	PLR	M-B	1												SALEABLE		34950-1210	34950-1220
KEY A, BLACK	33482-6347	A-BLK	GCP	PLR	M-B	1	2	3										SALEABLE		34950-1210	34950-1220
KEY B, LIGHT GRAY	33482-6348	B-LG	GCP	PLR	M-B	1	2	3	4		6					11	12	SALEABLE		34950-1210	34950-1220
KEY A, BLACK	33482-6349	A-BLK	GCP	PLR	M-B				4			7	8					SALEABLE		34950-1210	34950-1220
KEY A, BLACK	33482-6350	A-BLK	GCP	PLR	M-B			2					8					SALEABLE		34950-1210	34950-1220
KEY A, BLACK	33482-6351	A-BLK	GCP	PLR	M-B			2	4				8		10			SALEABLE		34950-1210	34950-1220
KEY A, BLACK	33482-6352	A-BLK	GCP	PLR	M-B	1	2	3	4	5	6		8		10	11	12	SALEABLE		34950-1210	34950-1220
KEY A, BLACK	33482-6353	A-BLK	GCP	PLR	M-B	1					6	7	8				12	SALEABLE		34950-1210	34950-1220
KEY A, BLACK	33482-6354	A-BLK	GCP	PLR	M-B			2	3	4			8		10	11	12	SALEABLE		34950-1210	34950-1220
KEY A, BLACK	33482-6355	A-BLK	GCP	PLR	M-B			2			6	7	8		10	11		SALEABLE		34950-1210	34950-1220
KEY A, BLACK	33482-6356	A-BLK	GCP	PLR	M-B	1	2	3	4		6			10	11	12		SALEABLE		34950-1210	34950-1220
KEY A, BLACK	33482-6357	A-BLK	GCP	PLR	M-B					5			8					SALEABLE		34950-1210	34950-1220
KEY A, BLACK	33482-6358	A-BLK	GCP	PLR	M-B				4						10			SALEABLE		34950-1210	34950-1220
KEY A, BLACK	33482-6359	A-BLK	GCP	PLR	M-B				4			7	8	9	10	11	12	SALEABLE		34950-1210	34950-1220
KEY A, BLACK	33482-6360	A-BLK	GCP	PLR	M-B					5	6		8	9	10	11	12	SALEABLE		34950-1210	34950-1220
KEY A, BLACK	33482-6361	A-BLK	GCP	PLR	M-B				4	5	6		8	9	10	11	12	SALEABLE		34950-1210	34950-1220
KEY A, BLACK	33482-6362	A-BLK	GCP	PLR	M-B	1	2	3		5	6	7	8	9		11	12	SALEABLE		34950-1210	34950-1220
KEY A, BLACK	33482-6363	A-BLK	GCP	PLR	M-B				4	5		7	8	9	10	11	12	SALEABLE		34950-1210	34950-1220
KEY A, BLACK	33482-6364	A-BLK	GCP	PLR	M-B				4			7		9	10			SALEABLE		34950-1210	34950-1220
KEY A, BLACK	33482-6365	A-BLK	GCP	PLR	M-B						6	7	8	9	10	11	12	SALEABLE		34950-1210	34950-1220
KEY A, BLACK	33482-6366	A-BLK	GCP	PLR	M-B	1	2				6	7	8	9	10	11	12	SALEABLE		34950-1210	34950-1220
KEY A, BLACK	33482-6367	A-BLK	GCP	PLR	M-B					5			8		10			SALEABLE		34950-1210	34950-1220
KEY A, BLACK	33482-6368	A-BLK	GCP	PLR	M-B	1	2	3	4			7	8	9	10	11	12	SALEABLE		34950-1210	34950-1220
KEY A, BLACK	33482-6369	A-BLK	GCP	PLR	M-B													SALEABLE		34950-1210	34950-1220
KEY A, BLACK	33482-6370	A-BLK	GCP	PLR	M-B	1	2	3			6	7			10	11	12	SALEABLE		34950-1210	34950-1220
KEY A, BLACK	33482-6371	A-BLK	GCP	PLR	M-B							7	8			11		SALEABLE		34950-1210	34950-1220
KEY A, BLACK	33482-6372	A-BLK	GCP	PLR	M-B	1		3		5			8		10	12		SALEABLE		34950-1210	34950-1220
KEY A, BLACK	33482-6373	A-BLK	GCP	PLR	M-B			2	4		6	7		9		11		SALEABLE		34950-1210	34950-1220
KEY A, BLACK	33482-6374	A-BLK	GCP	PLR	M-B			2							10	11	12	SALEABLE		34950-1210	34950-1220
KEY A, BLACK	33482-6375	A-BLK	GCP	PLR	M-B							7		9	10			SALEABLE		34950-1210	34950-1220
KEY A, BLACK	33482-6376	A-BLK	GCP	PLR	M-B			2	4			7						SALEABLE		34950-1210	34950-1220
KEY A, BLACK	33482-6377	A-BLK	GCP	PLR	M-B	1	2	3	4		6			9	10	11	12	SALEABLE		34950-1210	34950-1220
KEY A, BLACK	33482-6378	A-BLK	GCP	PLR	M-B	1		3		5					11	12		SALEABLE		34950-1210	34950-1220
KEY A, BLACK	33482-6379	A-BLK	GCP	PLR	M-B	1		3		5			8		10	11	12	SALEABLE		34950-1210	34950-1220
KEY A, BLACK	33482-6380	A-BLK	GCP	PLR	M-B			2				7	8					SALEABLE		34950-1210	34950-1220
KEY A, BLACK	33482-6381	A-BLK	GCP	PLR	M-B			2			4		8					SALEABLE		34950-1210	34950-1220
KEY A, BLACK	33482-6382	A-BLK	GCP	PLR	M-B				4	5	6		8		10	11		SALEABLE		34950-1210	34950-1220
KEY A, BLACK	33482-6383	A-BLK	GCP	PLR	M-B	1	2	3	4			7	8	9	10	11		SALEABLE		34950-1210	34950-1220
KEY A, BLACK	33482-6384	A-BLK	GCP	PLR	M-B				3	4				9	10			SALEABLE		34950-1210	34950-1220
KEY A, BLACK	33482-6385	A-BLK	GCP	PLR	M-B				3	4						11	12	SALEABLE		34950-1210	34950-1220
KEY A, BLACK	33482-6386	A-BLK	GCP	PLR	M-B	1	2	3	4		6	7	8	9	10	11		SALEABLE		34950-1210	34950-1220
KEY A, BLACK	33482-6387	A-BLK	GCP	PLR	M-B	1	2	3	4		5	6	7	8	9		12	SALEABLE		34950-1210	34950-1220
KEY A, BLACK	33482-6388	A-BLK	GCP	PLR	M-B	1	2	3	4		5	6	7	8	9		10	SALEABLE		34950-1210	34950-1220
KEY A, BLACK	33482-6389	A-BLK	GCP	PLR	M-B	1	2	3			6				11	12		SALEABLE		34950-1210	34950-1220
KEY A, BLACK	33482-6390	A-BLK	GCP	PLR	M-B	1		3	4							11	12	SALEABLE		34950-1210	34950-1220
KEY A, BLACK	33482-6391	A-BLK	GCP	PLR	M-B	1	2	3			6				10	11	12	SALEABLE		34950-1210	34950-1220
KEY A, BLACK	33482-6392	A-BLK	GCP	PLR	M-B	1		3	4							11	12	SALEABLE		34950-1210	34950-1220
KEY A, BLACK	33482-6393	A-BLK	GCP	PLR	M-B				4	5		7				11	12	SALEABLE		34950-1210	34950-1220
KEY B, LIGHT GRAY	33482-6394	B-LG	GCP	PLR	M-B	1	2	3	4				8	9	10	11	12	SALEABLE		34950-1210	34950-1220
KEY B, LIGHT GRAY	33482-6395	B-LG	GCP	PLR	M-B	1	2	3	4				8	9	10			SALEABLE		34950-1210	34950-1220
KEY A, BLACK	33482-6396	A-BLK	GCP	PLR	M-B	1					6	7	8	9	10			SALEABLE		34950-1210	34950-1220
KEY A, BLACK	33482-6397	A-BLK	GCP	PLR	M-B				4		6		8					SALEABLE		34950-1210	34950-1220
KEY A, BLACK	33482-6398	A-BLK	GCP	PLR	M-B																

MX150 2X6 BLADE SEALED ASSY MAT SEAL  
BOM AND PIN OUT SHEET

ASSEMBLY DESCRIPTION	ASSEMBLY PART NUMBER	COMPONENT				BLOCKED TERMINALS												STATUS	COMMENTS	OPTIONAL ATTACHMENTS SOLD SEPERATELY					
		THE PRESENCE OF AN ABBREVIATION INDICATES THE PRESENCE OF THAT COMPONENT.				CAVITY WITH A NUMBER INDICATES BLOCKED TERMINAL POSITION CAVITY WITHOUT A NUMBER INDICATES OPEN TERMINAL POSITION														BACKSHELL WITH RIBS	BACKSHELL WITHOUT RIBS				
		HOUSING KEY/COLOR	GROMMET CAP	PLR	MAT SEAL	1	2	3	4	5	6	7	8	9	10	11	12								
KEY A, BLACK	33482-6402	A-BLK	GCP	PLR	M-B				4	5	6		8					SALEABLE		34950-1210	34950-1220				
KEY A, BLACK	33482-6403	A-BLK	GCP	PLR	M-B					5	6	7	8	9	10	11	12	SALEABLE		34950-1210	34950-1220				
KEY A, BLACK	33482-6404	A-BLK	GCP	PLR	M-B					5	6	7	8			12		SALEABLE		34950-1210	34950-1220				
KEY A, BLACK	33482-6405	A-BLK	GCP	PLR	M-B							7	8				12	SALEABLE		34950-1210	34950-1220				
KEY A, BLACK	33482-6406	A-BLK	GCP	PLR	M-B									9	10	11	12	SALEABLE		34950-1210	34950-1220				
KEY A, BLACK	33482-6407	A-BLK	GCP	PLR	M-B			2		3						10	11	12	SALEABLE		34950-1210	34950-1220			
KEY A, BLACK	33482-6408	A-BLK	GCP	PLR	M-B					4	5	6	7	8		10	11	12	SALEABLE		34950-1210	34950-1220			
KEY A, BLACK	33482-6409	A-BLK	GCP	PLR	M-B						3	4	5	6	7	8	10	11	12	SALEABLE		34950-1210	34950-1220		
KEY A, BLACK	33482-6410	A-BLK	GCP	PLR	M-B		1	2	3	4				8	9			SALEABLE		34950-1210	34950-1220				
KEY A, BLACK	33482-6411	A-BLK	GCP	PLR	M-B			2	3						9			SALEABLE		34950-1210	34950-1220				
KEY A, BLACK	33482-6412	A-BLK	GCP	PLR	M-B									8		10	11		SALEABLE		34950-1210	34950-1220			
KEY A, BLACK	33482-6413	A-BLK	GCP	PLR	M-B		1			3			5				11		SALEABLE		34950-1210	34950-1220			
KEY A, BLACK	33482-6414	A-BLK	GCP	PLR	M-B		1			3			5				10	11		SALEABLE		34950-1210	34950-1220		
KEY A, BLACK	33482-6415	A-BLK	GCP	PLR	M-B			2	3				5	6	7			11	12	SALEABLE		34950-1210	34950-1220		
KEY A, BLACK	33482-6416	A-BLK	GCP	PLR	M-B		1				4	5	6		8		10		12	SALEABLE		34950-1210	34950-1220		
KEY A, BLACK	33482-6417	A-BLK	GCP	PLR	M-B		1				4	5		8		10		12	SALEABLE		34950-1210	34950-1220			
KEY A, BLACK	33482-6418	A-BLK	GCP	PLR	M-B		1	2	3	4	5			8		10	11	12	SALEABLE		34950-1210	34950-1220			
KEY A, BLACK	33482-6419	A-BLK	GCP	PLR	M-B						2	3		5	6	7		9	10	11	12	SALEABLE	SEE 33482-6406	34950-1210	34950-1220
KEY A, BLACK	33482-6420	A-BLK	GCP	PLR	M-B		1	2	3	4				8	9				SALEABLE	SEE 33482-6410	34950-1210	34950-1220			
KEY A, BLACK	33482-6421	A-BLK	GCP	PLR	M-B										9				SALEABLE	SEE 33482-6411	34950-1210	34950-1220			
KEY A, BLACK	33482-6422	A-BLK	GCP	PLR	M-B									8		10	11		SALEABLE	SEE 33482-6412	34950-1210	34950-1220			
KEY A, BLACK	33482-6423	A-BLK	GCP	PLR	M-B		1				3			5				11		SALEABLE	SEE 33482-6413	34950-1210	34950-1220		
KEY A, BLACK	33482-6424	A-BLK	GCP	PLR	M-B		1				3			5				10	11		SALEABLE	SEE 33482-6414	34950-1210	34950-1220	
KEY A, BLACK	33482-6425	A-BLK	GCP	PLR	M-B						2		4		6	7	8	9	10	11	12	SALEABLE		34950-1210	34950-1220
KEY A, BLACK	33482-6426	A-BLK	GCP	PLR	M-B							3	4					11	12		SALEABLE	SEE 33482-6385	34950-1210	34950-1220	
KEY A, BLACK	33482-6427	A-BLK	GCP	PLR	M-B							3	4				9	10	11	12	SALEABLE	SEE 33482-6293	34950-1210	34950-1220	
KEY A, BLACK	33482-6428	A-BLK	GCP	PLR	M-B		1	2					5	6	7	8	9	10			SALEABLE		34950-1210	34950-1220	
KEY A, BLACK	33482-6429	A-BLK	GCP	PLR	M-B										9	10					SALEABLE		34950-1210	34950-1220	
KEY A, BLACK	33482-6430	A-BLK	GCP	PLR	M-B						3	4	5	6		8	9				SALEABLE		34950-1210	34950-1220	
KEY B, LIGHT GRAY	33482-6431	B-LG	GCP	PLR	M-B		1	2	3	4				8				11	12		SALEABLE		34950-1210	34950-1220	
KEY B, LIGHT GRAY	33482-6432	B-LG	GCP	PLR	M-B		1	2	3	4				8							SALEABLE		34950-1210	34950-1220	
KEY A, BLACK	33482-6433	A-BLK	GCP	PLR	M-B											10	11	12			SALEABLE	SEE 33482-6249	34950-1210	34950-1220	
KEY B, LIGHT GRAY	33482-6434	B-LG	GCP	PLR	M-B									7	8	9			12		SALEABLE		34950-1210	34950-1220	
KEY A, BLACK	33482-6435	A-BLK	GCP	PLR	M-B									7	8	9	10	11	12		SALEABLE	SEE 33482-6308	34950-1210	34950-1220	
KEY A, BLACK	33482-6436	A-BLK	GCP	PLR	M-B										8	9	10	11	12		SALEABLE		34950-1210	34950-1220	
KEY A, BLACK	33482-6437	A-BLK	GCP	PLR	M-B										8	9					SALEABLE		34950-1210	34950-1220	
KEY B, LIGHT GRAY	33482-6438	B-LG	GCP	PLR	M-B		1	2	3	4				8				11	12		NOT RECOMMENDED	SEE 33482-6431	34950-1210	34950-1220	
KEY B, LIGHT GRAY	33482-6439	B-LG	GCP	PLR	M-B		1	2	3	4				8							NOT RECOMMENDED	SEE 33482-6432	34950-1210	34950-1220	
KEY A, BLACK	33482-6440	A-BLK	GCP	PLR	M-B		1	2					6			9	10				SALEABLE		34950-1210	34950-1220	
KEY A, BLACK	33482-6441	A-BLK	GCP	PLR	M-B		1	2	3				6	7		10	11	12			SALEABLE	SEE 33482-6370	34950-1210	34950-1220	
KEY A, BLACK	33482-6442	A-BLK	GCP	PLR	M-B						2		4		6		8				SALEABLE		34950-1210	34950-1220	
KEY A, BLACK	33482-6443	A-BLK	GCP	PLR	M-B						2		4		6						SALEABLE		34950-1210	34950-1220	
KEY A, BLACK	33482-6444	A-BLK	GCP	PLR	M-B							3	4		6		8	9			SALEABLE		34950-1210	34950-1220	
KEY A, BLACK	33482-6445	A-BLK	GCP	PLR	M-B								3	4			7	9	10	11	12	SALEABLE		34950-1210	34950-1220
KEY C, DARK GRAY	33482-6446	C-DG	GCP	PLR	M-B							3	4								SALEABLE		34950-1210	34950-1220	
KEY A, BLACK	33482-6447	A-BLK	GCP	PLR	M-B		1	2	3					6				11	12		SALEABLE		34950-1210	34950-1220	
KEY A, BLACK	33482-6448	A-BLK	GCP	PLR	M-B								5	6		7	8	9	10		SALEABLE		34950-1210	34950-1220	
KEY B, LIGHT GRAY	33482-6449	B-LG	GCP	PLR	M-B									7			10	11	12		SALEABLE		34950-1210	34950-1220	



MX150 2X8 BLADE SEALED ASSY MAT SEAL  
BOM AND PIN OUT SHEET

ASSEMBLY DESCRIPTION	ASSEMBLY PART NUMBER	COMPONENT				BLOCKED TERMINALS																STATUS	COMMENTS	OPTIONAL ATTACHMENTS SOLD SEPERATELY		
		THE PRESENCE OF AN ABBREVIATION INDICATES THE PRESENCE OF THAT COMPONENT.				CAVITY WITH A NUMBER INDICATES BLOCKED TERMINAL POSITION CAVITY WITHOUT A NUMBER INDICATES OPEN TERMINAL POSITION																		BACKSHELL WITH RIBS	BACKSHELL WITHOUT RIBS	
		HOUSING KEY/COLOR	GROMMET CAP	PLR	MAT SEAL	1	2	3	4	5	6	7	8	9	10	11	12	13	14	15	16					
KEY A, BLACK	33482-1665	A-BLK	GCP	PLR	M-R			3	4	5	6	7	8		10	11			15	16	PLANNED OBSOLESCENCE	SEE 33482-8665				
KEY A, BLACK	33482-1666	A-BLK	GCP	PLR	M-R		2				6	7	8		10			13	14	15	16	PLANNED OBSOLESCENCE	SEE 33482-8666			
KEY A, BLACK	33482-1667	A-BLK	GCP	PLR	M-R		2			5	6				10			13	14	15	16	PLANNED OBSOLESCENCE	SEE 33482-8667			
KEY A, BLACK	33482-1668	A-BLK	GCP	PLR	M-R		2			5	6				10	11		13	14	15	16	PLANNED OBSOLESCENCE	SEE 33482-8668			
KEY A, BLACK	33482-1669	A-BLK	GCP	PLR	M-R		2				6				10			13	14			PLANNED OBSOLESCENCE	SEE 33482-8669			
KEY A, BLACK	33482-1670	A-BLK	GCP	PLR	M-R		2		4	5	6	7	8		10	11	12	13	14			PLANNED OBSOLESCENCE	SEE 33482-8670			
KEY A, BLACK	33482-1671	A-BLK	GCP	PLR	M-R		2		4	5	6				10		12	13	14			PLANNED OBSOLESCENCE	SEE 33482-8671			
KEY A, BLACK	33482-1672	A-BLK	GCP	PLR	M-R				4				8									PLANNED OBSOLESCENCE	SEE 33482-8672			
KEY A, BLACK	33482-1673	A-BLK	GCP	PLR	M-R		2				6	7	8									PLANNED OBSOLESCENCE	SEE 33482-8673			
KEY A, BLACK	33482-1674	A-BLK	GCP	PLR	M-R		2				5	6										PLANNED OBSOLESCENCE	SEE 33482-8674			
KEY A, BLACK	33482-1675	A-BLK	GCP	PLR	M-R		2				5	6				11						PLANNED OBSOLESCENCE	SEE 33482-8675			
KEY A, BLACK	33482-1676	A-BLK	GCP	PLR	M-R					5	6	7	8					13				PLANNED OBSOLESCENCE	SEE 33482-8676			
KEY A, BLACK	33482-1677	A-BLK	GCP	PLR	M-R					5	6	7	8			11						PLANNED OBSOLESCENCE	SEE 33482-8677			
KEY A, BLACK	33482-1678	A-BLK	GCP	PLR	M-R					5	6	7	8					12	13	14		PLANNED OBSOLESCENCE	SEE 33482-8678			
KEY A, BLACK	33482-1679	A-BLK	GCP	PLR	M-R					5	6	7	8			11	12	13	14			PLANNED OBSOLESCENCE	SEE 33482-8679			
KEY A, BLACK	33482-1680	A-BLK	GCP	PLR	M-R					5	6	7	8			11	12	13	14	15		PLANNED OBSOLESCENCE	SEE 33482-8680			
KEY A, BLACK	33482-1681	A-BLK	GCP	PLR	M-R							7								15		PLANNED OBSOLESCENCE	SEE 33482-8681			
KEY A, BLACK	33482-1682	A-BLK	GCP	PLR	M-R						4	5	6							15	16	PLANNED OBSOLESCENCE	SEE 33482-8682			
KEY A, BLACK	33482-1683	A-BLK	GCP	PLR	M-R			3	4	5	6									15	16	PLANNED OBSOLESCENCE	SEE 33482-8683			
KEY A, BLACK	33482-1684	A-BLK	GCP	PLR	M-R	1	2	3	4	5	6							13		15	16	PLANNED OBSOLESCENCE	SEE 33482-8684			
KEY A, BLACK	33482-1685	A-BLK	GCP	PLR	M-R													13	14	15	16	PLANNED OBSOLESCENCE	SEE 33482-8685			
KEY A, BLACK	33482-1686	A-BLK	GCP	PLR	M-R								8					13	14	15	16	PLANNED OBSOLESCENCE	SEE 33482-8686			
KEY A, BLACK	33482-1687	A-BLK	GCP	PLR	M-R								7	8		11	12	13	14	15		PLANNED OBSOLESCENCE	SEE 33482-8687			
KEY A, BLACK	33482-1688	A-BLK	GCP	PLR	M-R								7	8			12	13	14	15		PLANNED OBSOLESCENCE	SEE 33482-8688			
KEY A, BLACK	33482-1689	A-BLK	GCP	PLR	M-R								7	8			11		13			PLANNED OBSOLESCENCE	SEE 33482-8689			
KEY A, BLACK	33482-1690	A-BLK	GCP	PLR	M-R								7	8					13			PLANNED OBSOLESCENCE	SEE 33482-8690			
KEY A, BLACK	33482-1691	A-BLK	GCP	PLR	M-R					5									13			PLANNED OBSOLESCENCE	SEE 33482-8691			
KEY A, BLACK	33482-1692	A-BLK	GCP	PLR	M-R		2													15	16	PLANNED OBSOLESCENCE	SEE 33482-8692			
KEY A, BLACK	33482-1693	A-BLK	GCP	PLR	M-R		2							9	10					15	16	PLANNED OBSOLESCENCE	SEE 33482-8693			
KEY A, BLACK	33482-1694	A-BLK	GCP	PLR	M-R		2			5	6	7	8	9	10				14	15	16	PLANNED OBSOLESCENCE	SEE 33482-8694			
KEY A, BLACK	33482-1695	A-BLK	GCP	PLR	M-R		2			5	6	7	8		10				14	15	16	PLANNED OBSOLESCENCE	SEE 33482-8695			
KEY A, BLACK	33482-1700	A-BLK	GCP	PLR	M-R	1	2	3	4	5	6				10	11	12	13	14	15	16	PLANNED OBSOLESCENCE	SEE 33482-8700			
KEY A, BLACK	33482-1701	A-BLK	GCP	PLR	M-R	1	2	3	4	5	6					11	12	13	14	15	16	PLANNED OBSOLESCENCE	SEE 33482-8701			
KEY A, BLACK	33482-1702	A-BLK	GCP	PLR	M-R							7	8	9	10	11	12	13	14	15	16	PLANNED OBSOLESCENCE	SEE 33482-8702			
KEY A, BLACK	33482-1703	A-BLK	GCP	PLR	M-R								8	9	10	11	12	13	14	15	16	PLANNED OBSOLESCENCE	SEE 33482-8703			
KEY A, BLACK	33482-1704	A-BLK	GCP	PLR	M-R	1	2	3	4	5	6								14	15	16	PLANNED OBSOLESCENCE	SEE 33482-8704			
KEY A, BLACK	33482-1705	A-BLK	GCP	PLR	M-R										10	11	12	13	14	15	16	PLANNED OBSOLESCENCE	SEE 33482-8705			
KEY A, BLACK	33482-1706	A-BLK	GCP	PLR	M-R											11	12	13	14	15	16	PLANNED OBSOLESCENCE	SEE 33482-8706			
KEY A, BLACK	33482-1707	A-BLK	GCP	PLR	M-R							7	8	9	10							PLANNED OBSOLESCENCE	SEE 33482-8707			
KEY A, BLACK	33482-1708	A-BLK	GCP	PLR	M-R														14	15	16	PLANNED OBSOLESCENCE	SEE 33482-8708			
KEY A, BLACK	33482-1709	A-BLK	GCP	PLR	M-R													12	13	14	15	16	PLANNED OBSOLESCENCE	SEE 33482-8709		
KEY A, BLACK	33482-1710	A-BLK	GCP	PLR	M-R	1	2	3	4	5	6	7	8	9	10							PLANNED OBSOLESCENCE	SEE 33482-8710			
KEY B, LIGHT GRAY	33482-1711	B-LG	GCP	PLR	M-R	1	2	3	4	5	6	7	8	9	10				14	15	16	PLANNED OBSOLESCENCE	SEE 33482-8711			
KEY B, LIGHT GRAY	33482-1712	B-LG	GCP	PLR	M-R	1	2	3	4	5	6	7	8	9	10			12		14	15	16	PLANNED OBSOLESCENCE	SEE 33482-8712		
KEY A, BLACK	33482-1713	A-BLK	GCP	PLR	M-R		2	3	4					9	10					15	16	PLANNED OBSOLESCENCE	SEE 33482-8713			
KEY A, BLACK	33482-1714	A-BLK	GCP	PLR	M-R		2	3	4	5	6	7	8	9	10			12		14	15	16	PLANNED OBSOLESCENCE	SEE 33482-8714		
KEY A, BLACK	33482-1715	A-BLK	GCP	PLR	M-R	1	2	3	4					9	10	11	12			15	16	PLANNED OBSOLESCENCE	SEE 33482-8715			
KEY A, BLACK	33482-1716	A-BLK	GCP	PLR	M-R	1	2	3	4					9	10	11	12			16		PLANNED OBSOLESCENCE	SEE 33482-8716			
KEY A, BLACK	33482-1717	A-BLK	GCP	PLR	M-R	1	2	3	4	5	6	7	8					13	14	15	16	PLANNED OBSOLESCENCE	SEE 33482-8717			
KEY A, BLACK	33482-1718	A-BLK	GCP	PLR	M-R													13	14	15	16	PLANNED OBSOLESCENCE	SEE 33482-8718			
KEY A, BLACK	33482-1719	A-BLK	GCP	PLR	M-R	1				5					10	11			14	15	16	PLANNED OBSOLESCENCE	SEE 33482-8719			
KEY A, BLACK	33482-1720	A-BLK	GCP	PLR	M-R													12		14		PLANNED OBSOLESCENCE	SEE 33482-8720			
KEY B, LIGHT GRAY	33482-1721	B-LG	GCP	PLR	M-R				4		6	7	8			11	12	13	14			PLANNED OBSOLESCENCE	SEE 33482-8721			
KEY B, LIGHT GRAY	33482-1722	B-LG	GCP	PLR	M-R	1	2	3	4		6	7	8	9	10	11	12	13	14	15		PLANNED OBSOLESCENCE	SEE 33482-8722			
KEY A, BLACK	33482-1723	A-BLK	GCP	PLR	M-R	1	2	3	4	5	6							13	14	15	16	PLANNED OBSOLESCENCE	SEE 33482-8723			
KEY A, BLACK	33482-1724	A-BLK	GCP	PLR	M-R														14	15		PLANNED OBSOLESCENCE	SEE 33482-8724			
KEY C, DARK GRAY	33482-1725	C-DG	GCP	PLR	M-R																	PLANNED OBSOLESCENCE	SEE 33482-8725			
KEY D, STONE GRAY	33482-1726	D-SG	GCP	PLR	M-R																	PLANNED OBSOLESCENCE	SEE 33482-8726			
KEY C, DARK GRAY	33482-1727	C-DG	GCP	PLR	M-R	1	2	3	4	5	6	7	8	9	10	11	12	13	14	15	16	PLANNED OBSOLESCENCE	SEE 33482-8727			
KEY D, STONE GRAY	33482-1728	D-SG	GCP	PLR	M-R	1	2	3	4	5	6	7	8	9	10	11	12	13	14	15	16	PLANNED OBSOLESCENCE	SEE 33482-8728			
KEY A, BLACK	33482-1729	A-BLK	GCP	PLR	M-R								8	9								PLANNED OBSOLESCENCE	SEE 33482-8729			
KEY A, BLACK	33482-1730	A-BLK	GCP	PLR	M-R				4	5	6	7	8	9	10	11	12	13	14	15	16	PLANNED OBSOLESCENCE	SEE 33482-8730			
KEY A, BLACK	33482-1731	A-BLK	GCP	PLR	M-R									9	10	11	12	13	14	15	16	PLANNED OBSOLESCENCE	SEE 33482-8731			
KEY B, LIGHT GRAY	33482-1732	B-LG	GCP	PLR	M-R						6	7	8			11						PLANNED OBSOLESCENCE	SEE 33482-8732			
KEY B, LIGHT GRAY	33482-1733	B-LG	GCP	PLR	M-R	1	2	3	4	5	6			9	10	11	12	13	14	15	16	PLANNED OBSOLESCENCE	SEE 33482-8733			
KEY B, LIGHT GRAY	33482-1734	B-LG	GCP	PLR	M-R						6				9					15	16	PLANNED OBSOLESCENCE	SEE 33482-8734			
KEY A, BLACK	33482-1735	A-BLK	GCP	PLR	M-R						6					10	11	12	13	14		PLANNED OBSOLESCENCE	SEE 33482-8735			
KEY A, BLACK	33482-1736	A-BLK	GCP	PLR	M-R	1	2	3	4	5	6								13	14		PLANNED OBSOLESCENCE	SEE 33482-8736			

MX150 2X8 BLADE SEALED ASSY MAT SEAL  
BOM AND PIN OUT SHEET

ASSEMBLY DESCRIPTION	ASSEMBLY PART NUMBER	COMPONENT				BLOCKED TERMINALS																STATUS	COMMENTS	OPTIONAL ATTACHMENTS SOLD SEPERATELY					
		THE PRESENCE OF AN ABBREVIATION INDICATES THE PRESENCE OF THAT COMPONENT.				CAVITY WITH A NUMBER INDICATES BLOCKED TERMINAL POSITION CAVITY WITHOUT A NUMBER INDICATES OPEN TERMINAL POSITION																		BACKSHELL WITH RIBS	BACKSHELL WITHOUT RIBS				
		HOUSING KEY/COLOR	GROMMET CAP	PLR	MAT SEAL	1	2	3	4	5	6	7	8	9	10	11	12	13	14	15	16								
KEY D, STONE GRAY	33482-1758	D-SG	GCP	PLR	M-R	1						8	9									16	PLANNED OBSOLESCENCE	SEE 33482-8758					
KEY A, BLACK	33482-1759	A-BLK	GCP	PLR	M-R	1	2	3	4	5													16	PLANNED OBSOLESCENCE	SEE 33482-8759				
KEY A, BLACK	33482-1760	A-BLK	GCP	PLR	M-R		2						7	9									16	PLANNED OBSOLESCENCE	SEE 33482-8760				
KEY A, BLACK	33482-1761	A-BLK	GCP	PLR	M-R		2			5				9										16	PLANNED OBSOLESCENCE	SEE 33482-8761			
KEY A, BLACK	33482-1762	A-BLK	GCP	PLR	M-R	1	2			5			7		9	10	11	12	13	14			16	PLANNED OBSOLESCENCE	SEE 33482-8762				
KEY A, BLACK	33482-1763	A-BLK	GCP	PLR	M-R							7											16	PLANNED OBSOLESCENCE	SEE 33482-8763				
KEY A, BLACK	33482-1764	A-BLK	GCP	PLR	M-R					5	6	7		9		11	12	13	14				16	PLANNED OBSOLESCENCE	SEE 33482-8764				
KEY A, BLACK	33482-1765	A-BLK	GCP	PLR	M-R		2			5		7		9		12	13	14					16	PLANNED OBSOLESCENCE	SEE 33482-8765				
KEY A, BLACK	33482-1766	A-BLK	GCP	PLR	M-R					5	6	7		9	10	11	12	13	14				16	PLANNED OBSOLESCENCE	SEE 33482-8766				
KEY A, BLACK	33482-1767	A-BLK	GCP	PLR	M-R					5	6	7		9									16	PLANNED OBSOLESCENCE	SEE 33482-8767				
KEY A, BLACK	33482-1768	A-BLK	GCP	PLR	M-R					5	6	7		9	10								16	PLANNED OBSOLESCENCE	SEE 33482-8768				
KEY A, BLACK	33482-1769	A-BLK	GCP	PLR	M-R	1			4	5	6		8					12	13	14			16	PLANNED OBSOLESCENCE	SEE 33482-8769				
KEY A, BLACK	33482-1770	A-BLK	GCP	PLR	M-R	1	2		4	5	6		8	9	10			12	13	14	15	16	16	PLANNED OBSOLESCENCE	SEE 33482-8770				
KEY A, BLACK	33482-1771	A-BLK	GCP	PLR	M-R	1			4				6	7	8								16	PLANNED OBSOLESCENCE	SEE 33482-8771				
KEY A, BLACK	33482-1772	A-BLK	GCP	PLR	M-R											10							16	PLANNED OBSOLESCENCE	SEE 33482-8772				
KEY A, BLACK	33482-1773	A-BLK	GCP	PLR	M-R	1	2	3	4	5	6					11	12						16	PLANNED OBSOLESCENCE	SEE 33482-8773				
KEY A, BLACK	33482-1774	A-BLK	GCP	PLR	M-R											10						15	16	PLANNED OBSOLESCENCE	SEE 33482-8774				
KEY A, BLACK	33482-1775	A-BLK	GCP	PLR	M-R									9	10							15	16	PLANNED OBSOLESCENCE	SEE 33482-8775				
KEY A, BLACK	33482-1776	A-BLK	GCP	PLR	M-R			3	4						9	10						15	16	PLANNED OBSOLESCENCE	SEE 33482-8776				
KEY A, YELLOW	33482-1777	A-YW	GCP	PLR	M-R																	15	16	PLANNED OBSOLESCENCE	SEE 33482-8777				
KEY A, BLACK	33482-1778	A-BLK	GCP	PLR	M-R					5			8											16	PLANNED OBSOLESCENCE	SEE 33482-8778			
KEY A, BLACK	33482-1779	A-BLK	GCP	PLR	M-R					5	6	7	8	9	10	11	12							16	PLANNED OBSOLESCENCE	SEE 33482-8779			
KEY A, BLACK	33482-1780	A-BLK	GCP	PLR	M-R			3	4	5	6											13	14	16	PLANNED OBSOLESCENCE	SEE 33482-8780			
KEY A, BLACK	33482-1781	A-BLK	GCP	PLR	M-R	1			4	5	6	7	8	9	10							13	14	15	16	PLANNED OBSOLESCENCE	SEE 33482-8781		
KEY A, BLACK	33482-1782	A-BLK	GCP	PLR	M-R	1			4			6	7	8										15	16	PLANNED OBSOLESCENCE	SEE 33482-8782		
KEY A, BLACK	33482-1783	A-BLK	GCP	PLR	M-R																			15	16	PLANNED OBSOLESCENCE	SEE 33482-8783		
KEY A, BLACK	33482-1784	A-BLK	GCP	PLR	M-R			3																	16	PLANNED OBSOLESCENCE	SEE 33482-8784		
KEY A, BLACK	33482-1785	A-BLK	GCP	PLR	M-R	1				5			7												16	PLANNED OBSOLESCENCE	SEE 33482-8785		
KEY A, BLACK	33482-1786	A-BLK	GCP	PLR	M-R		2			5	PLR	M-R		9											16	PLANNED OBSOLESCENCE	SEE 33482-8786		
KEY A, BLACK	33482-1787	A-BLK	GCP	PLR	M-R	1	2			5				9											16	PLANNED OBSOLESCENCE	SEE 33482-8787		
KEY A, BLACK	33482-1788	A-BLK	GCP	PLR	M-R	1	2						7		9										16	PLANNED OBSOLESCENCE	SEE 33482-8788		
KEY A, BLACK	33482-1789	A-BLK	GCP	PLR	M-R	1	2			5				9											16	PLANNED OBSOLESCENCE	SEE 33482-8789		
KEY A, BLACK	33482-1790	A-BLK	GCP	PLR	M-R	1	2			5			7		9										16	PLANNED OBSOLESCENCE	SEE 33482-8790		
KEY A, BLACK	33482-1791	A-BLK	GCP	PLR	M-R	1		3																	16	PLANNED OBSOLESCENCE	SEE 33482-8791		
KEY A, BLACK	33482-1792	A-BLK	GCP	PLR	M-R		2			5			7												16	PLANNED OBSOLESCENCE	SEE 33482-8792		
KEY A, BLACK	33482-1793	A-BLK	GCP	PLR	M-R											10	11								16	PLANNED OBSOLESCENCE	SEE 33482-8793		
KEY A, BLACK	33482-1794	A-BLK	GCP	PLR	M-R	1	2	3		5	6														16	PLANNED OBSOLESCENCE	SEE 33482-8794		
KEY A, BLACK	33482-1795	A-BLK	GCP	PLR	M-R			3																	16	PLANNED OBSOLESCENCE	SEE 33482-8795		
KEY A, BLACK	33482-1796	A-BLK	GCP	PLR	M-R								7		9										16	PLANNED OBSOLESCENCE	SEE 33482-8796		
KEY A, BLACK	33482-1797	A-BLK	GCP	PLR	M-R								7	8											16	PLANNED OBSOLESCENCE	SEE 33482-8797		
KEY A, BLACK	33482-1798	A-BLK	GCP	PLR	M-R			3								10	11	12	13	14	15	16	16	PLANNED OBSOLESCENCE	SEE 33482-8798				
KEY A, BLACK	33482-1799	A-BLK	GCP	PLR	M-R			3	4	5	6	7				10								16	PLANNED OBSOLESCENCE	SEE 33482-8799			
KEY A, BLACK	33482-1800	A-BLK	GCP	PLR	M-R	1	2			5															16	PLANNED OBSOLESCENCE	SEE 33482-8800		
KEY A, BLACK	33482-1801	A-BLK	GCP	PLR	M-R					5	PLR	M-R		7	8	9	10	11	12	13	14				16	PLANNED OBSOLESCENCE	SEE 33482-8801		
KEY A, BLACK	33482-1802	A-BLK	GCP	PLR	M-R					5															16	PLANNED OBSOLESCENCE	SEE 33482-8802		
KEY A, BLACK	33482-1803	A-BLK	GCP	PLR	M-R	1	2			5															16	PLANNED OBSOLESCENCE	SEE 33482-8803		
KEY A, BLACK	33482-1804	A-BLK	GCP	PLR	M-R	1	2			5			7	8	9	10	11	12	13	14				16	PLANNED OBSOLESCENCE	SEE 33482-8804			
KEY A, BLACK	33482-1805	A-BLK	GCP	PLR	M-R							6				10	11	12	13	14	15	16	16	PLANNED OBSOLESCENCE	SEE 33482-8805				
KEY A, BLACK	33482-1806	A-BLK	GCP	PLR	M-R							6													16	PLANNED OBSOLESCENCE	SEE 33482-8806		
KEY A, BLACK	33482-1807	A-BLK	GCP	PLR	M-R							6													16	PLANNED OBSOLESCENCE	SEE 33482-8807		
KEY A, BLACK	33482-1808	A-BLK	GCP	PLR	M-R	1	2	3	4	5	6														16	PLANNED OBSOLESCENCE	SEE 33482-8808		
KEY A, BLACK	33482-1809	A-BLK	GCP	PLR	M-R	1							8												16	PLANNED OBSOLESCENCE	SEE 33482-8809		
KEY A, BLACK	33482-1810	A-BLK	GCP	PLR	M-R	1																			16	PLANNED OBSOLESCENCE	SEE 33482-8810		
KEY A, BLACK	33482-1811	A-BLK	GCP	PLR	M-R								8												16	PLANNED OBSOLESCENCE	SEE 33482-8811		
KEY A, BLACK	33482-1812	A-BLK	GCP	PLR	M-R								8												16	PLANNED OBSOLESCENCE	SEE 33482-8812		
KEY A, BLACK	33482-1813	A-BLK	GCP	PLR	M-R				4	5	6	7	8			10									16	PLANNED OBSOLESCENCE	SEE 33482-8813		
KEY A, BLACK	33482-1814	A-BLK	GCP	PLR	M-R								7												16	PLANNED OBSOLESCENCE	SEE 33482-8814		
KEY A, BLACK	33482-1815	A-BLK	GCP	PLR	M-R	1				3	5	6													16	PLANNED OBSOLESCENCE	SEE 33482-8815		
KEY A, BLACK	33482-1816	A-BLK	GCP	PLR	M-R					3	5	6	7												16	PLANNED OBSOLESCENCE	SEE 33482-8816		
KEY A, BLACK	33482-1817	A-BLK	GCP	PLR	M-R																				16	PLANNED OBSOLESCENCE	SEE 33482-8817		
KEY A, BLACK	33482-1818	A-BLK	GCP	PLR	M-R							6	7	8											16	PLANNED OBSOLESCENCE	SEE 33482-8818		
KEY A, BLACK	33482-1819	A-BLK	GCP	PLR	M-R	1	2						7		9	10	11	12	13	14				16	PLANNED OBSOLESCENCE	SEE 33482-8819			
KEY A, BLACK	33482-1820	A-BLK	GCP	PLR	M-R								7		9										16	PLANNED OBSOLESCENCE	SEE 33482-8820		
KEY A, BLACK	33482-1821	A-BLK	GCP	PLR	M-R			2	3				7		9	10	11	12	13	14				16	PLANNED OBSOLESCENCE	SEE 33482-8821			
KEY A, BLACK	33482-1822	A-BLK	GCP	PLR	M-R	1			4	5	6		8												16	PLANNED OBSOLESCENCE	SEE 33482-8822		
KEY B, LIGHT GRAY	33482-1823	B-LG																											



MX150 2X8 BLADE SEALED ASSY MAT SEAL  
BOM AND PIN OUT SHEET

ASSEMBLY DESCRIPTION	ASSEMBLY PART NUMBER	COMPONENT				BLOCKED TERMINALS																STATUS	COMMENTS	OPTIONAL ATTACHMENTS SOLD SEPERATELY			
		THE PRESENCE OF AN ABBREVIATION INDICATES THE PRESENCE OF THAT COMPONENT.				CAVITY WITH A NUMBER INDICATES BLOCKED TERMINAL POSITION CAVITY WITHOUT A NUMBER INDICATES OPEN TERMINAL POSITION																		BACKSHELL WITH RIBS	BACKSHELL WITHOUT RIBS		
		HOUSING KEY/COLOR	GROMMET CAP	PLR	MAT SEAL	1	2	3	4	5	6	7	8	9	10	11	12	13	14	15	16						
KEY A, BLACK	33482-1847	A-BLK	GCP	PLR	M-R	1	2				6	7	8	9	10				14	15	16	PLANNED OBSOLESCENCE	SEE 33482-8847				
KEY A, BLACK	33482-1848	A-BLK	GCP	PLR	M-R	1	2					7	8	9	10					15	16		PLANNED OBSOLESCENCE	SEE 33482-8848			
KEY A, BLACK	33482-1849	A-BLK	GCP	PLR	M-R			3	4	5	6	7	8			11	12	13	14	15	16	PLANNED OBSOLESCENCE	SEE 33482-8849				
KEY A, BLACK	33482-1850	A-BLK	GCP	PLR	M-R						6	7	8						14	15	16	PLANNED OBSOLESCENCE	SEE 33482-8850				
KEY A, BLACK	33482-1851	A-BLK	GCP	PLR	M-R							7	8							15	16		PLANNED OBSOLESCENCE	SEE 33482-8851			
KEY A, BLACK	33482-1852	A-BLK	GCP	PLR	M-R			3	4	5	6	7	8	9							16		PLANNED OBSOLESCENCE	SEE 33482-8852			
KEY A, BLACK	33482-1853	A-BLK	GCP	PLR	M-R				4					9			12						PLANNED OBSOLESCENCE	SEE 33482-8853			
KEY A, BLACK	33482-1854	A-BLK	GCP	PLR	M-R				4					9	10		12						PLANNED OBSOLESCENCE	SEE 33482-8854			
KEY A, BLACK	33482-1855	A-BLK	GCP	PLR	M-R			3	4					9	10			13	14				PLANNED OBSOLESCENCE	SEE 33482-8855			
KEY A, BLACK	33482-1856	A-BLK	GCP	PLR	M-R	1	2		4			6	7	8	9			12					PLANNED OBSOLESCENCE	SEE 33482-8856			
KEY A, BLACK	33482-1857	A-BLK	GCP	PLR	M-R	1	2		4			6	7	8	9	10		12					PLANNED OBSOLESCENCE	SEE 33482-8857			
KEY A, BLACK	33482-1858	A-BLK	GCP	PLR	M-R	1	2	3	4			6	7	8	9	10			13	14		16	PLANNED OBSOLESCENCE	SEE 33482-8858			
KEY A, BLACK	33482-1859	A-BLK	GCP	PLR	M-R		2				5	7	8	9	10	11	12	13	14			16	PLANNED OBSOLESCENCE	SEE 33482-8859			
KEY A, BLACK	33482-1860	A-BLK	GCP	PLR	M-R										10	11	12	13	14			16	PLANNED OBSOLESCENCE	SEE 33482-8860			
KEY A, BLACK	33482-1861	A-BLK	GCP	PLR	M-R	1	2	3			5	6	7	8	9	10	11	12	13	14	15	16	PLANNED OBSOLESCENCE	SEE 33482-8861			
KEY A, BLACK	33482-1862	A-BLK	GCP	PLR	M-R	1	2	3			5	6	7	8		11		13	14	15	16		PLANNED OBSOLESCENCE	SEE 33482-8862			
KEY A, BLACK	33482-1863	A-BLK	GCP	PLR	M-R								7	8				13	14	15	16		PLANNED OBSOLESCENCE	SEE 33482-8863			
KEY A, BLACK	33482-1864	A-BLK	GCP	PLR	M-R								7	8	9			13	14	15	16		PLANNED OBSOLESCENCE	SEE 33482-8864			
KEY A, BLACK	33482-1865	A-BLK	GCP	PLR	M-R									7	8	9	10	11	12	13	14		PLANNED OBSOLESCENCE	SEE 33482-8865			
KEY A, BLACK	33482-1866	A-BLK	GCP	PLR	M-R							6					11	12	13	14			PLANNED OBSOLESCENCE	SEE 33482-8866			
KEY A, BLACK	33482-8601	A-BLK	GCP	PLR	M-B																		SALEABLE				
KEY B, LIGHT GRAY	33482-8602	B-LG	GCP	PLR	M-B																		SALEABLE				
KEY C, BROWN	33482-8603	C-BR	GCP	PLR	M-B																		NOT RECOMMENDED	SEE 33482-8725			
KEY D, GREEN	33482-8604	D-GR	GCP	PLR	M-B																		NOT RECOMMENDED	SEE 33482-8726			
VOID KEY	33482-8605																										
KEY A, BLACK	33482-8606	A-BLK	GCP	PLR	M-B								8										SALEABLE				
KEY B, LIGHT GRAY	33482-8607	B-LG	GCP	PLR	M-B								8										SALEABLE				
KEY C, BROWN	33482-8608	C-BR	GCP	PLR	M-B								8										NOT RECOMMENDED	SEE 33482-8751			
KEY D, GREEN	33482-8609	D-GR	GCP	PLR	M-B								8										NOT RECOMMENDED	SEE 33482-8752			
VOID KEY	33482-8610																										
KEY A, BLACK	33482-8611	A-BLK	GCP	PLR	M-B								8	9									SALEABLE				
KEY B, LIGHT GRAY	33482-8612	B-LG	GCP	PLR	M-B								8	9									SALEABLE				
KEY C, BROWN	33482-8613	C-BR	GCP	PLR	M-B								8	9									NOT RECOMMENDED	SEE 33482-8753			
KEY D, GREEN	33482-8614	D-GR	GCP	PLR	M-B								8	9									NOT RECOMMENDED	SEE 33482-8754			
VOID KEY	33482-8615																										
KEY A, BLACK	33482-8616	A-BLK	GCP	PLR	M-B	1							8	9									SALEABLE				
KEY B, LIGHT GRAY	33482-8617	B-LG	GCP	PLR	M-B	1							8	9									SALEABLE				
KEY C, BROWN	33482-8618	C-BR	GCP	PLR	M-B	1							8	9									NOT RECOMMENDED	SEE 33482-8755			
KEY D, GREEN	33482-8619	D-GR	GCP	PLR	M-B	1							8	9									NOT RECOMMENDED	SEE 33482-8756			
VOID KEY	33482-8620																										
KEY A, BLACK	33482-8621	A-BLK	GCP	PLR	M-B	1	2	3	4	5	6	7	8	9	10	11	12	13	14	15	16		SALEABLE				
KEY B, LIGHT GRAY	33482-8622	B-LG	GCP	PLR	M-B	1	2	3	4	5	6	7	8	9	10	11	12	13	14	15	16		SALEABLE				
KEY C, BROWN	33482-8623	C-BR	GCP	PLR	M-B	1	2	3	4	5	6	7	8	9	10	11	12	13	14	15	16		NOT RECOMMENDED	SEE 33482-8727			
KEY D, GREEN	33482-8624	D-GR	GCP	PLR	M-B	1	2	3	4	5	6	7	8	9	10	11	12	13	14	15	16		NOT RECOMMENDED	SEE 33482-8728			
VOID KEY	33482-8625																										
KEY A, BLACK	33482-8626	A-BLK	GCP	PLR	M-B																15		SALEABLE				
KEY A, BLACK	33482-8627	A-BLK	GCP	PLR	M-B	1							8	9									SALEABLE				
KEY B, LIGHT GRAY	33482-8628	B-LG	GCP	PLR	M-B	1							8	9									SALEABLE				
KEY C, BROWN	33482-8629	C-BR	GCP	PLR	M-B	1							8	9									NOT RECOMMENDED	SEE 33482-8757			
KEY D, GREEN	33482-8630	D-GR	GCP	PLR	M-B	1							8	9									NOT RECOMMENDED	SEE 33482-8758			
VOID KEY	33482-8631																										
KEY A, BLACK	33482-8632	A-BLK	GCP	PLR	M-B				4				7	8				12	13	14	15	16	SALEABLE				
KEY A, BLACK	33482-8633	A-BLK	GCP	PLR	M-B			3	4	5					10	11	12	13	14	15	16		SALEABLE				
KEY A, BLACK	33482-8634	A-BLK	GCP	PLR	M-B								7	8				12	13	14			SALEABLE				
KEY B, LIGHT GRAY	33482-8635	B-LG	GCP	PLR	M-B								8					13	14	15	16		SALEABLE				
KEY A, BLACK	33482-8636	A-BLK	GCP	PLR	M-B										10	11					15	16	SALEABLE				
KEY A, BLACK	33482-8637	A-BLK	GCP	PLR	M-B										10	11						15	16	SALEABLE			
KEY A, BLACK	33482-8638	A-BLK	GCP	PLR	M-B								8	9	10	11	12					15	16	SALEABLE			
KEY A, BLACK	33482-8639	A-BLK	GCP	PLR	M-B																	15		SALEABLE			
KEY A, BLACK	33482-8640	A-BLK	GCP	PLR	M-B						5												SALEABLE				
KEY A, BLACK	33482-8641	A-BLK	GCP	PLR	M-B						5												SALEABLE				
KEY B, LIGHT GRAY	33482-8642	B-LG	GCP	PLR	M-B				4			6	7	8				12		14			SALEABLE				
KEY A, BLACK	33482-8643	A-BLK	GCP	PLR	M-B																15	16	SALEABLE				
KEY B, LIGHT GRAY	33482-8644	B-LG	GCP	PLR	M-B				4														SALEABLE				
KEY B, LIGHT GRAY	33482-8645	B-LG	GCP	PLR	M-B				4			6	7	8									SALEABLE				
KEY A, BLACK	33482-8646	A-BLK	GCP	PLR	M-B				4			6	7	8				12					SALEABLE				
KEY A, BLACK	33482-8647	A-BLK	GCP	PLR	M-B																		SALEABLE				
KEY A, BLACK	33482-8648	A-BLK	GCP	PLR	M-B				4													16	SALEABLE				
KEY B, LIGHT GRAY	33482-8649	B-LG	GCP	PLR	M-B																		SALEABLE				
KEY B, LIGHT GRAY	33482-8650	B-LG	GCP	PLR	M-B																		SALEABLE				
KEY B, LIGHT GRAY	33482-8651	B-LG	GCP	PLR	M-B																	14	SALEABLE				
KEY B, LIGHT GRAY	33482-8652	B-LG	GCP	PLR	M-B																	14	SALEABLE				
KEY A, BLACK	33482-8653	A-BLK	GCP	PLR	M-B							6	7	8									SALEABLE				
KEY A, BLACK	33482-8654	A-BLK	GCP	PLR	M-B										9							15	SALEABLE				
KEY B, LIGHT GRAY	33482-8655	B																									





MX150 2X8 BLADE SEALED ASSY MAT SEAL  
BOM AND PIN OUT SHEET

ASSEMBLY DESCRIPTION	ASSEMBLY PART NUMBER	COMPONENT				BLOCKED TERMINALS																STATUS	COMMENTS	OPTIONAL ATTATCHMENTS SOLD SEPERATELY	
		THE PRESENCE OF AN ABBREVIATION INDICATES THE PRESENCE OF THAT COMPONENT.				CAVITY WITH A NUMBER INDICATES BLOCKED TERMINAL POSITION CAVITY WITHOUT A NUMBER INDICATES OPEN TERMINAL POSITION																		BACKSHELL WITH RIBS	BACKSHELL WITHOUT RIBS
		HOUSING KEY/COLOR	GROMMET CAP	PLR	MAT SEAL	1	2	3	4	5	6	7	8	9	10	11	12	13	14	15	16				
KEY A, BLACK	33482-8852	A-BLK	GCP	PLR	M-B			3	4	5	6	7		9							16	SALEABLE			
KEY A, BLACK	33482-8853	A-BLK	GCP	PLR	M-B				4					9							12	SALEABLE			
KEY A, BLACK	33482-8854	A-BLK	GCP	PLR	M-B				4					9	10						12	SALEABLE			
KEY A, BLACK	33482-8855	A-BLK	GCP	PLR	M-B			3	4					9	10					13	14	SALEABLE			
KEY A, BLACK	33482-8856	A-BLK	GCP	PLR	M-B	1	2		4		6	7	8	9							12	SALEABLE			
KEY A, BLACK	33482-8857	A-BLK	GCP	PLR	M-B	1	2		4		6	7	8	9	10						12	SALEABLE			
KEY A, BLACK	33482-8858	A-BLK	GCP	PLR	M-B	1	2	3	4		6	7	8	9	10						13	14	SALEABLE		
KEY A, BLACK	33482-8859	A-BLK	GCP	PLR	M-B		2			5		7		9	10	11	12	13	14		16	SALEABLE			
KEY A, BLACK	33482-8860	A-BLK	GCP	PLR	M-B										10	11	12	13				16	SALEABLE		
KEY A, BLACK	33482-8861	A-BLK	GCP	PLR	M-B	1	2	3		5	6	7	8		10	11		13	14	15	16	SALEABLE			
KEY A, BLACK	33482-8862	A-BLK	GCP	PLR	M-B	1	2	3		5	6	7	8		11			13	14	15	16	SALEABLE			
KEY A, BLACK	33482-8863	A-BLK	GCP	PLR	M-B							7	8					13			16	SALEABLE			
KEY A, BLACK	33482-8864	A-BLK	GCP	PLR	M-B							7	8	9				13			16	SALEABLE			
KEY A, BLACK	33482-8865	A-BLK	GCP	PLR	M-B							7	8	9	10	11	12	13	14			SALEABLE			
KEY A, BLACK	33482-8866	A-BLK	GCP	PLR	M-B					6					11	12	13	14				SALEABLE			





MX150 2X10 BLADE SEALED ASSY MAT SEAL  
BOM AND PIN OUT SHEET

ASSEMBLY DESCRIPTION	ASSEMBLY PART NUMBER	COMPONENT				BLOCKED TERMINALS																				STATUS	COMMENTS	OPTIONAL ATTACHMENTS SOLD SEPERATELY						
		THE PRESENCE OF AN ABBREVIATION INDICATES THE PRESENCE OF THAT COMPONENT.				CAVITY WITH A NUMBER INDICATES BLOCKED TERMINAL POSITION CAVITY WITHOUT A NUMBER INDICATES OPEN TERMINAL POSITION																						BACKSHELL WITH RIBS	BACKSHELL WITHOUT RIBS					
		HOUSING KEY/COLOR	GROMMET CAP	PLR	MAT SEAL	1	2	3	4	5	6	7	8	9	10	11	12	13	14	15	16	17	18	19	20									
KEY A, BLACK	33482-2189	A-BLK	GCP	PLR	M-B	1	2	3	4	5	6	7	8	9											19		SALEABLE							
KEY A, BLACK	33482-2190	A-BLK	GCP	PLR	M-B	1	2	3	4	5	6	7	8	9	10	11	12	13	14	15	16					19	20	SALEABLE						
KEY A, BLACK	33482-2191	A-BLK	GCP	PLR	M-B	1	2	3	4	5	6	7	8	9	10											19	20	SALEABLE						
KEY A, BLACK	33482-2192	A-BLK	GCP	PLR	M-B		2						8													19	20	SALEABLE						
KEY A, BLACK	33482-2193	A-BLK	GCP	PLR	M-B	1	2	3	4	5	6	7	8	9	10											19	20	SALEABLE						
KEY A, BLACK	33482-2194	A-BLK	GCP	PLR	M-B	1	2	3	4	5	6		8	9	10											19	20	SALEABLE						
KEY A, BLACK	33482-2195	A-BLK	GCP	PLR	M-B		2																			19	20	SALEABLE						
KEY B, LIGHT GRAY	33482-2196	B-LG	GCP	PLR	M-B	1	2	3	4	5	6	7	8												17		SALEABLE							
KEY B, LIGHT GRAY	33482-2197	B-LG	GCP	PLR	M-B												11									19	20	SALEABLE						
KEY A, BLACK	33482-2198	A-BLK	GCP	PLR	M-B	1	2	3				7	8	9												19	20	SALEABLE						
KEY A, BLACK	33482-2199	A-BLK	GCP	PLR	M-B	1	2	3	4	5	6	7	8	9												19	20	SALEABLE						
KEY A, BLACK	33482-2200	A-BLK	GCP	PLR	M-B	1	2	3	4	5	6	7	8	9											17	18	19	20	SALEABLE					
KEY A, BLACK	33482-2201	A-BLK	GCP	PLR	M-B	1	2							9	10	11										19	20	SALEABLE						
KEY A, BLACK	33482-2202	A-BLK	GCP	PLR	M-B		2	3	4	5			8	9													20	SALEABLE						
KEY A, BLACK	33482-2203	A-BLK	GCP	PLR	M-B	1	2	3						9												19	20	SALEABLE						
KEY A, BLACK	33482-2204	A-BLK	GCP	PLR	M-B				4	5	6														12		15	16	17	18	19	SALEABLE		
KEY B, LIGHT GRAY	33482-2205	B-LG	GCP	PLR	M-B				3	4	5			8	9	10											19	20	SALEABLE					
KEY A, BLACK	33482-2206	A-BLK	GCP	PLR	M-B	1	2	3	4	5	6															17	18	19	20	SALEABLE				
KEY B, LIGHT GRAY	33482-2207	B-LG	GCP	PLR	M-B				4	5	6			9	10																	SALEABLE		
KEY B, LIGHT GRAY	33482-2208	B-LG	GCP	PLR	M-B									9	10	11																SALEABLE		
KEY B, LIGHT GRAY	33482-2209	B-LG	GCP	PLR	M-B				4	5	6	7																				SALEABLE		
KEY A, BLACK	33482-2210	A-BLK	GCP	PLR	M-B	1								9	10	11	12															SALEABLE		
KEY A, BLACK	33482-2211	A-BLK	GCP	PLR	M-B	1	2						7																			SALEABLE		
KEY A, BLACK	33482-2213	A-BLK	GCP	PLR	M-B																											SALEABLE		
KEY A, BLACK	33482-2214	A-BLK	GCP	PLR	M-B																											SALEABLE		
KEY A, BLACK	33482-2215	A-BLK	GCP	PLR	M-B		2							8																		SALEABLE		
KEY A, BLACK	33482-2216	A-BLK	GCP	PLR	M-B																											SALEABLE		
KEY A, BLACK	33482-2217	A-BLK	GCP	PLR	M-B								7																			SALEABLE		
KEY A, BLACK	33482-2218	A-BLK	GCP	PLR	M-B	1	2	3	4	5	6																					SALEABLE		
KEY A, BLACK	33482-2219	A-BLK	GCP	PLR	M-B																											SALEABLE		
KEY A, BLACK	33482-2220	A-BLK	GCP	PLR	M-B	1	2	3	4	5	6	7	8	9																		SALEABLE		
KEY A, BLACK	33482-2221	A-BLK	GCP	PLR	M-B																											SALEABLE		
KEY A, BLACK	33482-2222	A-BLK	GCP	PLR	M-B	1	2	3	4	5	6			8	9	10	11	12	13	14	15	16	17	18	19	20	SALEABLE				SALEABLE			
KEY A, BLACK	33482-2223	A-BLK	GCP	PLR	M-B								7																			SALEABLE		
KEY A, BLACK	33482-2224	A-BLK	GCP	PLR	M-B																											SALEABLE		
KEY A, BLACK	33482-2225	A-BLK	GCP	PLR	M-B	1	2	3	4	5	6			8	9	10																SALEABLE		
KEY B, LIGHT GRAY	33482-2226	B-LG	GCP	PLR	M-B																											SALEABLE		
KEY A, BLACK	33482-2227	A-BLK	GCP	PLR	M-B																											SALEABLE		
KEY A, BLACK	33482-2228	A-BLK	GCP	PLR	M-B				3	4	5	6	7	8	9	10																SALEABLE		
KEY A, BLACK	33482-2229	A-BLK	GCP	PLR	M-B				3	4	5	6	7	8	9	10																SALEABLE		
KEY A, BLACK	33482-2230	A-BLK	GCP	PLR	M-B																											SALEABLE		
KEY A, BLACK	33482-2231	A-BLK	GCP	PLR	M-B	1	2	3	4	5	6																					SALEABLE		
KEY A, BLACK	33482-2232	A-BLK	GCP	PLR	M-B																											SALEABLE		
KEY B, LIGHT GRAY	33482-2233	B-LG	GCP	PLR	M-B	1	2	3	4	5	6	7	8																			SALEABLE		
KEY B, LIGHT GRAY	33482-2234	B-LG	GCP	PLR	M-B																											SALEABLE		
KEY B, LIGHT GRAY	33482-2235	B-LG	GCP	PLR	M-B		2	3																								SALEABLE		
KEY A, BLACK	33482-2236	A-BLK	GCP	PLR	M-B																											SALEABLE		
KEY A, BLACK	33482-2237	A-BLK	GCP	PLR	M-B																											SALEABLE		
KEY A, BLACK	33482-2238	A-BLK	GCP	PLR	M-B																											SALEABLE		
KEY A, BLACK	33482-2239	A-BLK	GCP	PLR	M-B																											SALEABLE		
KEY A, BLACK	33482-2240	A-BLK	GCP	PLR	M-B																											SALEABLE		
KEY A, BLACK	33482-2241	A-BLK	GCP	PLR	M-B																											SALEABLE		
KEY A, BLACK	33482-2242	A-BLK	GCP	PLR	M-B	1	2	3	4	5	6																					SALEABLE		
KEY A, BLACK	33482-2243	A-BLK	GCP	PLR	M-B	1	2	3																								SALEABLE		
KEY A, BLACK	33482-2244	A-BLK	GCP	PLR	M-B	1	2	3																								SALEABLE		
KEY A, BLACK	33482-2245	A-BLK	GCP	PLR	M-B																											SALEABLE		
KEY A, BLACK	33482-2246	A-BLK	GCP	PLR	M-B	1	2	3	4	5	6																					SALEABLE		
KEY A, BLACK	33482-2247	A-BLK	GCP	PLR	M-B	1	2	3	4	5	6																					SALEABLE		
KEY A, BLACK	33482-2248	A-BLK	GCP	PLR	M-B																											SALEABLE		
KEY A, BLACK	33482-2249	A-BLK	GCP	PLR	M-B																											SALEABLE		
KEY A, BLACK	33482-2250	A-BLK	GCP	PLR	M-B																											SALEABLE		
KEY A, BLACK	33482-2251	A-BLK	GCP	PLR	M-B	1	2	3	4	5	6	7	8																			SALEABLE		
KEY A, BLACK	33482-2252	A-BLK	GCP	PLR	M-B	1	2	3	4	5	6	7	8																			SALEABLE		
KEY A, BLACK	33482-2253	A-BLK	GCP	PLR	M-B	1	2	3																								SALEABLE		
KEY A, BLACK	33482-2254	A-BLK	GCP	PLR	M-B																											SALEABLE		
KEY A, BLACK	33482-2255	A-BLK	GCP	PLR</																														

MX150 2X10 BLADE SEALED ASSY MAT SEAL  
BOM AND PIN OUT SHEET

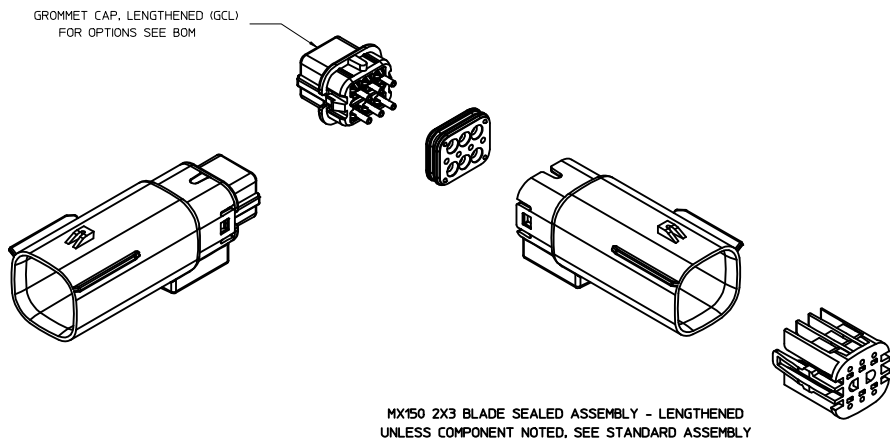
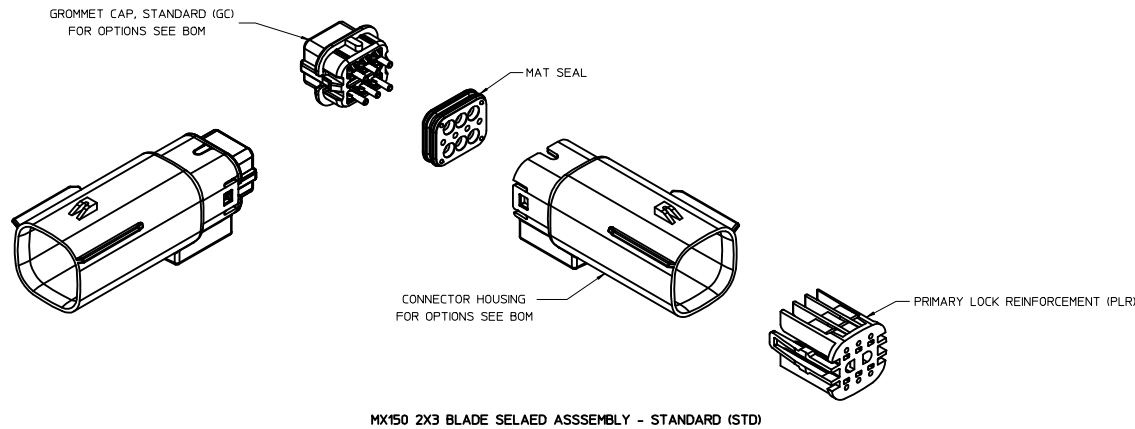
ASSEMBLY DESCRIPTION	ASSEMBLY PART NUMBER	COMPONENT				BLOCKED TERMINALS																				STATUS	COMMENTS	OPTIONAL ATTACHMENTS SOLD SEPERATELY			
		THE PRESENCE OF AN ABBREVIATION INDICATES THE PRESENCE OF THAT COMPONENT.				CAVITY WITH A NUMBER INDICATES BLOCKED TERMINAL POSITION CAVITY WITHOUT A NUMBER INDICATES OPEN TERMINAL POSITION																						BACKSHELL WITH RIBS	BACKSHELL WITHOUT RIBS		
		HOUSING KEY/COLOR	GROMMET CAP	PLR	MAT SEAL	1	2	3	4	5	6	7	8	9	10	11	12	13	14	15	16	17	18	19	20						
KEY A, BLACK	33482-2291	A-BLK	GCP	PLR	M-B	1	2	3	4	5	6	7	8										18	19	20	SALEABLE					
KEY A, BLACK	33482-2292	A-BLK	GCP	PLR	M-B																		18			SALEABLE					
KEY A, BLACK	33482-2293	A-BLK	GCP	PLR	M-B	1	2	3	4			7	8	9			12	13	14				17	18	19	20	SALEABLE				
KEY A, BLACK	33482-2294	A-BLK	GCP	PLR	M-B	1	2	3				7	8	9			12	13					17	18	19	20	SALEABLE				
KEY A, BLACK	33482-2295	A-BLK	GCP	PLR	M-B		2	3	4	5	6	7	8	9	10	11	12		14	15	16		17	18	19		SALEABLE				
KEY A, BLACK	33482-2296	A-BLK	GCP	PLR	M-B		2	3	4			7	8	9			12		14				17	18	19		SALEABLE				
KEY A, BLACK	33482-2297	A-BLK	GCP	PLR	M-B		2	3				7	8	9			12						17	18	19		SALEABLE				
KEY A, BLACK	33482-2298	A-BLK	GCP	PLR	M-B	1		3	4					9			12	13	14							20	SALEABLE				
KEY A, BLACK	33482-2299	A-BLK	GCP	PLR	M-B	1		3						9			12	13								20	SALEABLE				
KEY A, BLACK	33482-2300	A-BLK	GCP	PLR	M-B			3	4					9			12		14							20	SALEABLE				
KEY A, BLACK	33482-2301	A-BLK	GCP	PLR	M-B			3						9			12									20	SALEABLE				
KEY A, BLACK	33482-2302	A-BLK	GCP	PLR	M-B									9			12									20	SALEABLE				
KEY A, BLACK	33482-2303	A-BLK	GCP	PLR	M-B									9				13	14	15	16	17	18	19	20	SALEABLE					
KEY A, BLACK	33482-2304	A-BLK	GCP	PLR	M-B		2						8	9				13							20	SALEABLE					
KEY A, BLACK	33482-2305	A-BLK	GCP	PLR	M-B		2						8	9				13	14	15	16	17	18	19	20	SALEABLE					
KEY A, BLACK	33482-2306	A-BLK	GCP	PLR	M-B	1	2	3	4	5	6	7	8	9				13							20	SALEABLE					
KEY A, BLACK	33482-2307	A-BLK	GCP	PLR	M-B	1	2	3			6	7	8	9				13	14	15	16	17	18	19	20	SALEABLE					
KEY A, BLACK	33482-2308	A-BLK	GCP	PLR	M-B	1	2	3			6	7	8	9	10			12	13	14	15	16	17	18	19	20	SALEABLE				
KEY A, BLACK	33482-2309	A-BLK	GCP	PLR	M-B	1	2	3	4	5														19	20	SALEABLE					
KEY A, BLACK	33482-2310	A-BLK	GCP	PLR	M-B		2	3		5									13				17		19	20	SALEABLE				



TABLE OF CONTENTS	
SHEET NO.	SHEET DESCRIPTION
1	NOTES
2	KEY CONFIGURATIONS
3	BLADE SEALED ASSEMBLY
4	SYSTEM PACKAGING
5	BACKSHELL NOTES
6	BACKSHELL
7	BACKSHELL CONFIGURATIONS
8	BOM

NOTES: VALID UNLESS OTHERWISE SPECIFIED

1. GENERAL:
  - a. APPLICATION SPECIFICATION SEE: AS-33472-100  
CONTAINS: PRODUCT INTRODUCTION, PRODUCT SUMMARY, CONNECTOR ASSEMBLY, PACKAGING INFORMATION, CONNECTOR MATING, SERVICE INSTRUCTIONS, ELECTRICAL CONTINUITY CHECKING, CRIMPING, AND TROUBLESHOOTING.  
-DESIGNED TO MATE WITH RECEPTACLE SEALED ASSEMBLY SPECIFIED IN MOLEX CHARTED DRAWING SD-33472-061 AND SD-33472-071.  
-FOR 1.5mm BLADE TERMINALS TO BE USED WITH THIS ASSEMBLY SEE MOLEX DRAWING SD-33000-001  
- SYSTEM TO BE USED WITH WIRE WITHIN DIAMETER RANGE OF 1.2mm TO 2.69mm.  
-ASSEMBLY SHIPPED WITH PLR IN PRE-LOCK POSITION  
-IN THE EVENT THAT THE PLR IS FOUND IN THE SEATED (FINAL LOCK) POSITION, REFER TO MOLEX SPECIFICATION PS-34646-001, AVAILABLE AT [www.molex.com](http://www.molex.com) <<http://www.molex.com>>  
-ASSEMBLY CONFORMS TO SAE/USCAR-2 REV.4 WITH THE FOLLOWING EXCEPTIONS: TERMINAL INSERTION FORCE FOR WIRE DIAMETER ABOVE 2.5mm NOT EXCEEDING 2.69mm SHALL NOT EXCEED 45 NEWTONS.
  - b. PRODUCT SPECIFICATION SEE: PS-33472-000  
CONTAINS: PRODUCT INTRODUCTION, PRODUCT SUMMARY, AND PRODUCT VALIDATION.
  - c. PACKAGING SPECIFICATION PER MOLEX DRAWING: PK-31300-435
  - d. PARTS MUST BE IN COMPLIANCE TO MOLEX CHEMICAL SUBSTANCES FOR PRODUCTS AND PACKAGING SPECIFICATION: ES-40000-5016
  - e. DATA MUST BE SUBMITTED UNDER THE MOLEX PART NUMBER TO IMDS (COMPANY ID#13255)
2. DESIGN - MATERIALS:
  - a. SEE BOM TABLE.
3. DESIGN - GEOMETRY:
  - a. THIS IS A 100% CAD GENERATED PART. THE CAD MATHEMATICAL DATA IS THE MASTER FOR THIS PART. FOR DIMENSIONAL OR ANY INFORMATION NOT SHOWN ON THIS DRAWING, ANALYZE THE CAD MODEL.
  - b. GEOMETRIC DIMENSIONS AND TOLERANCES PER ASME Y14.5M - 1994
  - c. EDGES AND UNDIMENSIONED DETAILS PER ISO13715
  - d. CORNERS SHOWN AS SHARP TO BE R 0.2 MAX.
  - e. LETTERING SHALL BE 0.15 MAX RAISED IN 0.25 MAX RECESS PAD. THIS INCLUDES RECYCLING CODE, CAVITY ID, VENDOR IDENTIFICATION, AND CUSTOMER MATERIAL NUMBER.
  - f. VISUAL DEFECTS SHALL MEET COSMETIC STANDARD PS-45499-002 (Class B).
  - g. LASER MARKING: TBD

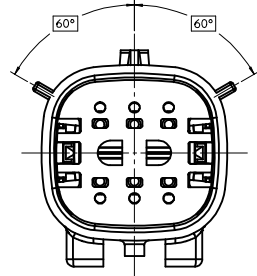


INSPECTION NUMBER LOG  
LAST NUMBER USED: 5  
ADDED:  
REMOVED: 2

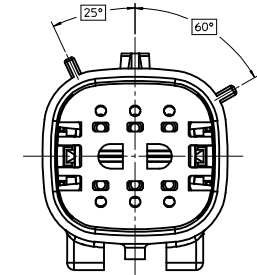
AB	ADD NEW P/N 33482-0653
AA10	UPDATED STATUS AND COMMENTS COLUMNS
AA9	ADD NEW P/N 33482-0652
AA8	ADD NEW P/N 33482-0650 33482-0651
AA7	ADD NEW P/N 33482-0649
AA6	ADD NEW P/N 33482-0648
AA5	ADD NEW P/N 33482-0646 33482-0647
AA4	ADD NEW P/N 33482-0645
AA3	ADD NEW P/N 33482-0644
AA2	CHANGE PART NUMBER STATUS ADD NEW P/N 33482-0641 33482-0642 33482-0643
REV	DESCRIPTION

<b>REVISED</b> DEC NO. UAU2016-1297 DRAWN BY: 2016/03/07 CHKD: 2016/03/07 APPR: JDENG02 REVISION DESCRIPTION	QUALITY SYMBOLS	GENERAL TOLERANCES (UNLESS SPECIFIED)	DIMENSION STYLE	SCALE	DESIGN UNITS	THIRD ANGLE PROJECTION
	▽=0	mm INCH	MM ONLY	2:1	METRIC	☉
	▽=0	4 PLACES ± --- ± ---	DRAWN BY DATE			
	▽=0	3 PLACES ± 0.10 ± ---	MDICK 2011/07/22			
	2 PLACES ± 0.3 ± ---	CHECKED BY DATE				TITLE <b>MX150 2X3 BLADE SEALED ASSEMBLY MAT SEAL</b>
	1 PLACE ± --- ± ---	APPROVED BY DATE				
	0 PLACE ± --- ± ---					MATERIAL NO. <b>SEE BOM</b>
		ANGULAR ± 3 °				DOCUMENT NO. <b>SD-33482-061</b>
		DRAFT WHERE APPLICABLE MUST REMAIN WITHIN DIMENSIONS				SHEET NO. 1 OF 9
			SIZE			THIS DRAWING CONTAINS INFORMATION THAT IS PROPRIETARY TO MOLEX INCORPORATED AND SHOULD NOT BE USED WITHOUT WRITTEN PERMISSION

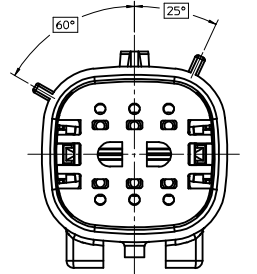
KEY CONFIGURATIONS



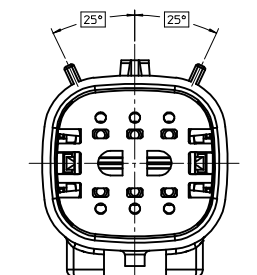
KEY A



KEY B



KEY C

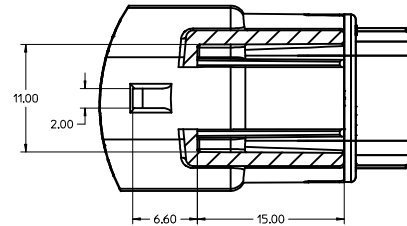
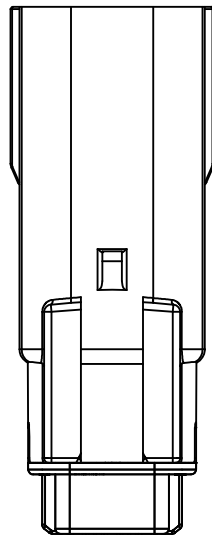
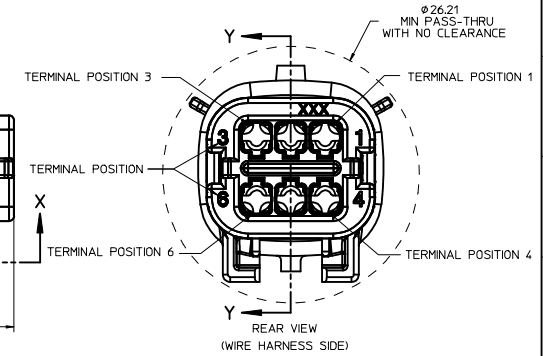
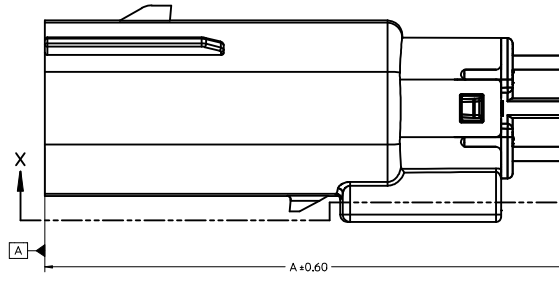
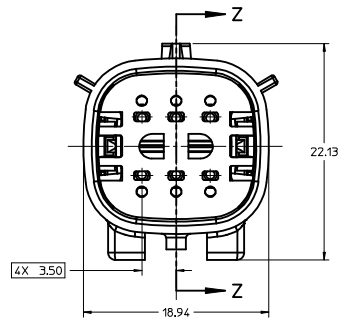
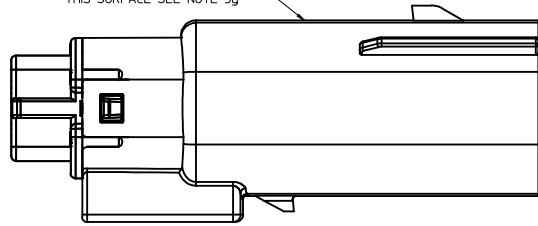


KEY D

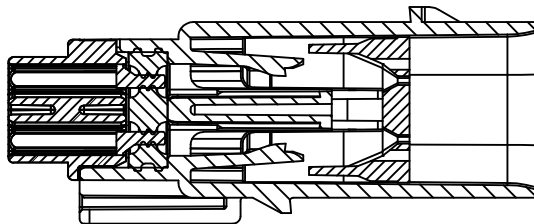
REVISED DEC NO. 01/2016-1297 DRAWN BY AB CHKD: APPR.: JDENGOZ 2016/03/07	QUALITY SYMBOLS ▽=0 ▽=0 ▽=0	GENERAL TOLERANCES (UNLESS SPECIFIED)		DIMENSION STYLE <b>MM ONLY</b>	SCALE <b>4:1</b>	DESIGN UNITS <b>METRIC</b>	THIRD ANGLE PROJECTION		
		4 PLACES ± mm ± INCH	3 PLACES ± mm ± INCH	2 PLACES ± 0.10 ± ---	1 PLACE ± 0.3 ± ---	0 PLACE ± ±	DRAWN BY MDICK	DATE 2011/07/22	TITLE MX150 2X3 BLADE SEALED ASSEMBLY MAT SEAL
		ANGULAR ± 3 °		DRAFT WHERE APPLICABLE MUST REMAIN WITHIN DIMENSIONS		MATERIAL NO. <b>SEE BOM</b>	DOCUMENT NO. <b>SD-33482-061</b>	SHEET NO. 2 OF 9	
		THIS DRAWING CONTAINS INFORMATION THAT IS PROPRIETARY TO MOLEX INCORPORATED AND SHOULD NOT BE USED WITHOUT WRITTEN PERMISSION							

**BLADE SEALED ASSEMBLY**

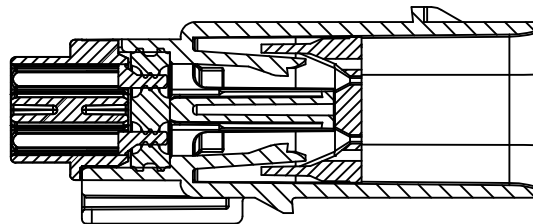
OPTIONAL LASER MARKING ON THIS SURFACE SEE NOTE 3g



Partial X-X  
SCALE 4:1



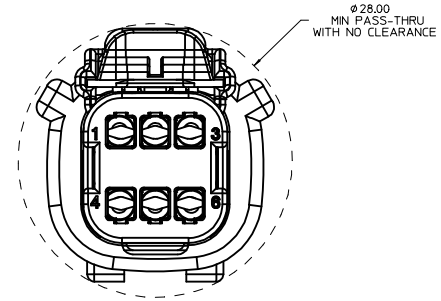
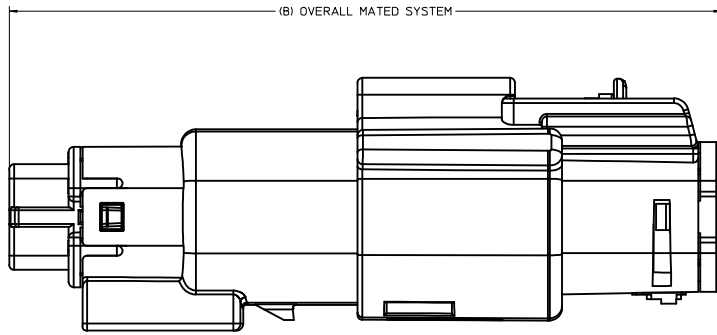
PRIMARY LOCK REINFORCEMENT (PLR) SHOWN  
IN PRE-STAGED POSITION  
SECTION Z-Z



PRIMARY LOCK REINFORCEMENT (PLR) SHOWN  
IN FINAL-LOCK POSITION  
SECTION Y-Y

CHARTED DIMENSIONS	
CONFIGURATION	A
MX150 2X3 BLADE SEALED ASSEMBLY - STANDARD	53.85
MX150 2X3 BLADE SEALED ASSEMBLY - LENGTHENED	55.85

REVISED IEC NO. UAU2016-1297 DRAWN BY CHYK APPR: JDENG02 2016/03/07 2016/03/07 AB	QUALITY SYMBOLS	GENERAL TOLERANCES (UNLESS SPECIFIED)	DIMENSION STYLE	SCALE	DESIGN UNITS	THIRD ANGLE PROJECTION
	∇=0 ∇=0 ∇=0	mm INCH 4 PLACES ± --- ± --- 3 PLACES ± --- ± --- 2 PLACES ± 0.10 ± --- 1 PLACE ± 0.3 ± --- 0 PLACE ± ±	MM ONLY	4:1	METRIC	MDCB 2011/07/22 MDCB 2011/12/19
	ANGULAR ± 3 ° DRAFT WHERE APPLICABLE MUST REMAIN WITHIN DIMENSIONS	MATERIAL NO.	DATE	DATE	DATE	MX150 2X3 BLADE SEALED ASSEMBLY MAT SEAL <b>molex</b>
	SEE BOM THIS DRAWING CONTAINS INFORMATION THAT IS PROPRIETARY TO MOLEX INCORPORATED AND SHOULD NOT BE USED WITHOUT WRITTEN PERMISSION	SEE BOM	DATE	DATE	DATE	DOCUMENT NO. SD-33482-061 SHEET NO. 3 OF 9



CHARTED DIMENSIONS	
CONFIGURATION	B
MX150 2X3 BLADE SEALED ASSEMBLY - STANDARD	72.78
MX150 2X3 BLADE SEALED ASSEMBLY - LENGTHENED	74.79

CHARTED DIMENSIONS	
CONFIGURATION	C
MX150 2X3 RECEPTACLE SEALED ASSEMBLY WITHOUT CLIPSLLOT	30.50
MX150 2X3 RECEPTACLE SEALED ASSEMBLY WITH CLIPSLLOT	28.00

<b>REVISED</b> IEC NO. UAU2016-1297 DRAWN BY CHKD: APPR: JDENG02 2016/03/07 2016/03/07 DESCRIPTION	QUALITY SYMBOLS	GENERAL TOLERANCES (UNLESS SPECIFIED)	DIMENSION STYLE	SCALE	DESIGN UNITS	THIRD ANGLE PROJECTION
	▽=0	4 PLACES ± mm ± INCH	MM ONLY	4:1	METRIC	☉
	▽=0	3 PLACES ± 0.10 ± --- ± ---	DRAWN BY DATE			
	▽=0	2 PLACES ± 0.3 ± --- ± ---	CHECKED BY DATE			
		1 PLACE ± 0.3 ± --- ± ---	APPROVED BY DATE			
		0 PLACE ± ±				
		ANGULAR ± 3 °	MATERIAL NO.			
		DRAFT WHERE APPLICABLE MUST REMAIN WITHIN DIMENSIONS	SEE BOM			
			SIZE D			

MX150 2X3 BLADE SEALED ASSEMBLY MAT SEAL

**molex**

DOCUMENT NO. SD-33482-061 SHEET NO. 4 OF 9

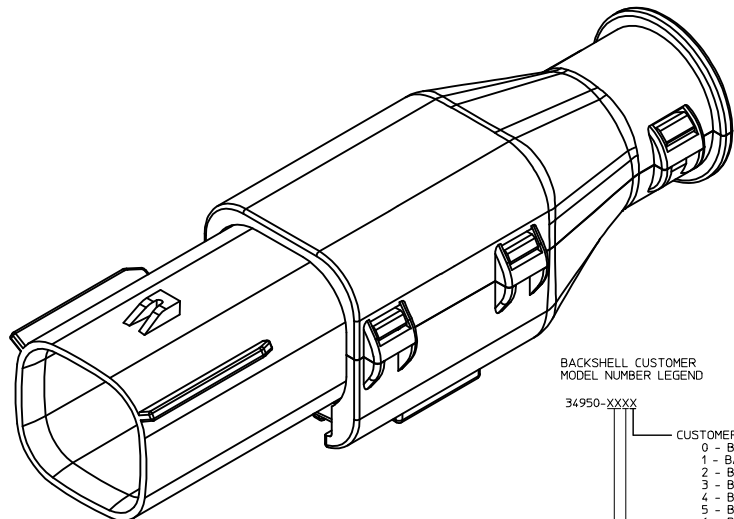
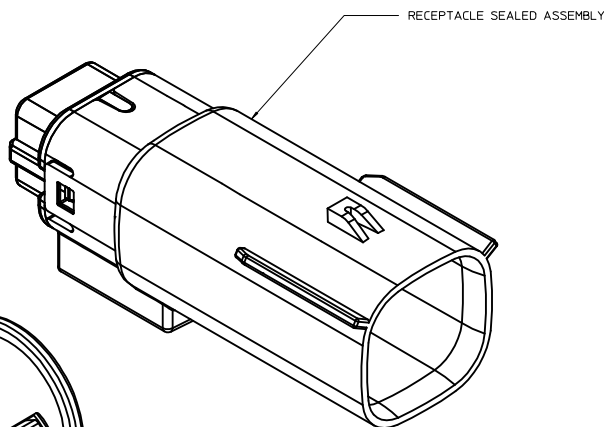
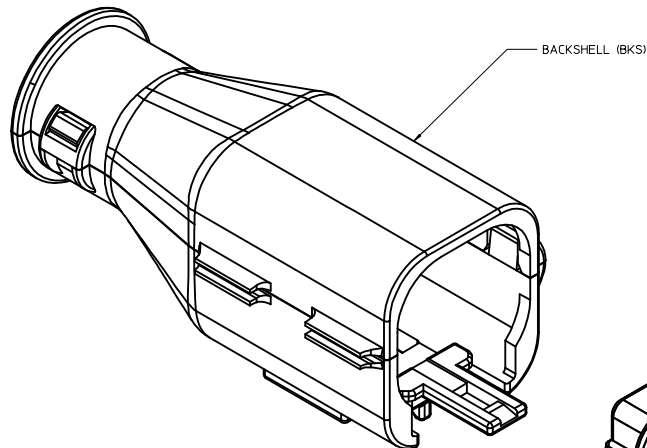
THIS DRAWING CONTAINS INFORMATION THAT IS PROPRIETARY TO MOLEX INCORPORATED AND SHOULD NOT BE USED WITHOUT WRITTEN PERMISSION

BACKSHELL NOTES

BACKSHELL NOTES: VALID UNLESS OTHERWISE SPECIFIED

1. GENERAL:

- a. APPLICATION SPECIFICATION SEE: AS-34951-001
- DESIGNED TO MATE WITH BLADE SEALED ASSEMBLY SPECIFIED IN MOLEX DRAWING SD-33482-061.
- SYSTEM TO BE USED WITH WIRE WITHIN DIAMETER RANGE OF 1.2mm TO 2.69mm.
- COMPONENTS ARE OPTIONAL AND MUST BE PURCHASED SEPARATELY
- BACKSHELL DESIGN IS OWNED BY SCHLEMMER
- FOR ADDITIONAL INFORMATION SEE THE BACKSHELL COMPONENT DRAWING SD-34950-0001.



BACKSHELL CUSTOMER MODEL NUMBER LEGEND

34950-XXXX

CUSTOMER MODEL COMPONENTS

- 0 - BACKSHELL ONLY
- 1 - BACKSHELL & MX150 HOUSING KEY A ASSEMBLY
- 2 - BACKSHELL & MX150 HOUSING KEY B ASSEMBLY
- 3 - BACKSHELL & MX150 HOUSING KEY C ASSEMBLY
- 4 - BACKSHELL & MX150 HOUSING KEY D ASSEMBLY
- 5 - BACKSHELL & MX150 2X3 LENGTHENED HOUSING KEY A ASSEMBLY
- 6 - BACKSHELL & MX150 2X3 LENGTHENED HOUSING KEY B ASSEMBLY
- 7 - BACKSHELL & MX150 2X3 LENGTHENED HOUSING KEY C ASSEMBLY
- 8 - BACKSHELL & MX150 2X3 LENGTHENED HOUSING KEY D ASSEMBLY

BACKSHELL FEATURES

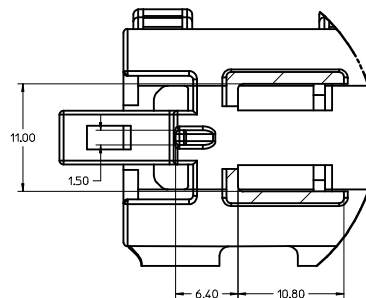
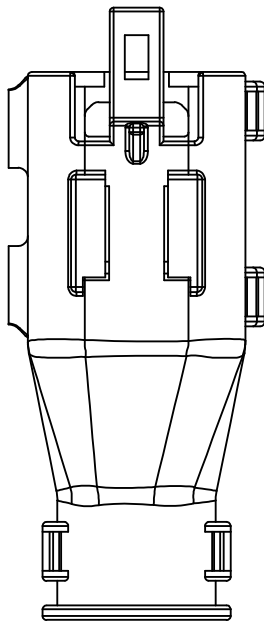
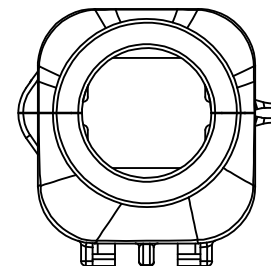
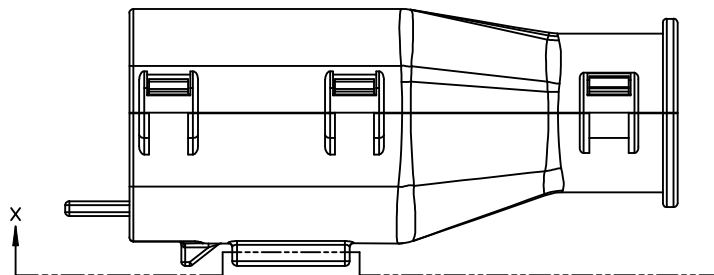
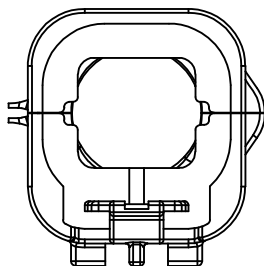
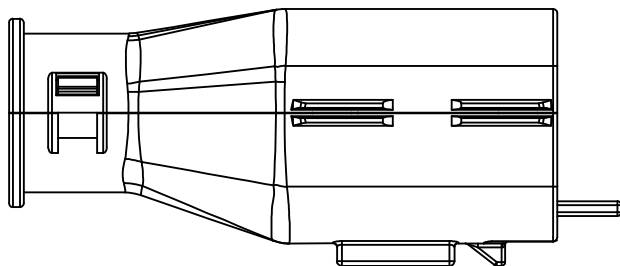
- 1 - WITH RIBS
- 2 - WITHOUT RIBS

MX150 CIRCUIT SIZE 04, 06, 08, 12, 16, 20

REVISED EC NO. UAU2016-1297 DRAWN BY CHKD: AB	2016/03/01 2016/03/07 APP: JDENG02	DESCRIPTION	QUALITY SYMBOLS		GENERAL TOLERANCES (UNLESS SPECIFIED)		DIMENSION STYLE		SCALE	DESIGN UNITS	THIRD ANGLE PROJECTION
			▽=0	▽=0	▽=0	mm	INCH	MM ONLY	4:1	METRIC	
			4 PLACES	±	---	±	---	DRAWN BY	DATE	TITLE	
			3 PLACES	±	---	±	---	MDICK	2011/07/22		
			2 PLACES	±	0.10	±	---	CHECKED BY	DATE		
			1 PLACE	±	0.3	±	---	MDICK	2011/12/19		
			0 PLACE	±		±	---	APPROVED BY	DATE		
			ANGULAR ± 3 °		DRAFT WHERE APPLICABLE MUST REMAIN WITHIN DIMENSIONS		MATERIAL NO.		DOCUMENT NO.		SHEET NO.
			SIZE D		SEE BOM		SD-33482-061		5 OF 9		
THIS DRAWING CONTAINS INFORMATION THAT IS PROPRIETARY TO MOLEX INCORPORATED AND SHOULD NOT BE USED WITHOUT WRITTEN PERMISSION											

20 19 18 17 16 15 14 13 12 11 10 9 8 7 6 5 4 3 2 1

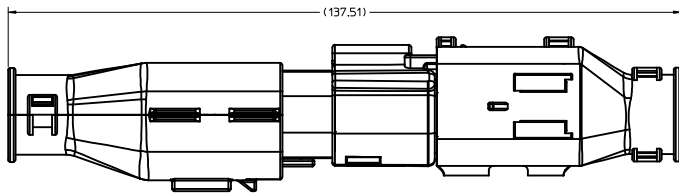
BACKSHELL  
THE VIEWS ON THIS SHEET ARE  
IN THE CLOSED UN-ASSEMBLED POSITION



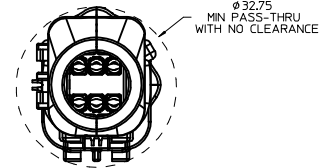
Partial X-X  
SCALE 4:1

REVISED IEC NO. UAU2016-1297 DRAWN BY CHKD: APPR: JDENG02 2016/03/07 2016/03/07 DESCRIPTION AB	QUALITY SYMBOLS	GENERAL TOLERANCES (UNLESS SPECIFIED)	DIMENSION STYLE	SCALE	DESIGN UNITS	THIRD ANGLE PROJECTION
	∇=0 ∇=0 ∇=0	mm INCH 4 PLACES ± --- ± --- 3 PLACES ± --- ± --- 2 PLACES ± 0.10 ± --- 1 PLACE ± 0.3 ± --- 0 PLACE ± ±	MM ONLY	4:1	METRIC	DRAWN BY DATE MD LCK 2011/07/22 CHECKED BY DATE MD LCK 2011/12/19 APPROVED BY DATE
		ANGULAR ± 3 ° DRAFT WHERE APPLICABLE MUST REMAIN WITHIN DIMENSIONS	MATERIAL NO.	DOCUMENT NO.	TITLE MX150 2X3 BLADE SEALED ASSEMBLY MAT SEAL <b>molex</b>	
			SEE BOM	SD-33482-061	SHEET NO. 6 OF 9	
			THIS DRAWING CONTAINS INFORMATION THAT IS PROPRIETARY TO MOLEX INCORPORATED AND SHOULD NOT BE USED WITHOUT WRITTEN PERMISSION			

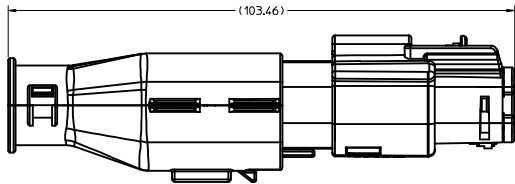
19 18 17 16 15 14 13 12 11 10 9 8 7 6 5 4 3 2 1



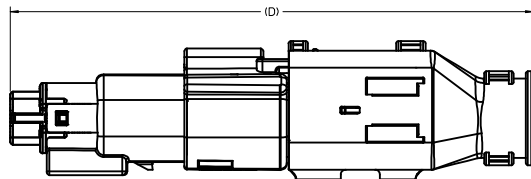
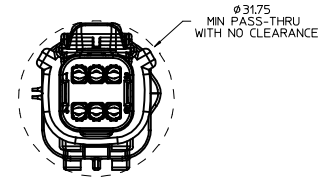
OVERALL MATED SYSTEM WITH BLADE AND RECEPTACLE BACKSHELL



BACKSHELL CONFIGURATIONS

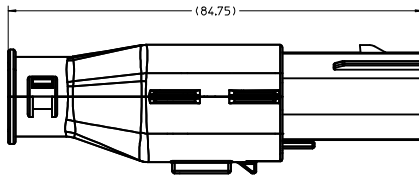
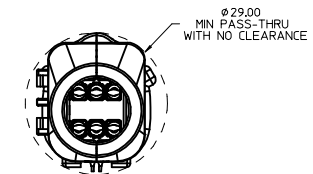


OVERALL MATED SYSTEM WITH BLADE BACKSHELL

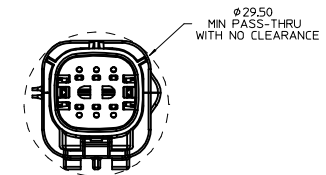


OVERALL MATED SYSTEM WITH RECEPTACLE BACKSHELL

CHARTED DIMENSIONS	
CONFIGURATION	D
MX150 2X3 BLADE SEALED ASSEMBLY - STANDARD	106.83
MX150 2X3 BLADE SEALED ASSEMBLY - LENGTHENED	108.71



BLADE SEALED ASSEMBLY WITH BLADE BACKSHELL



<b>REVISED</b> IEC NO. UAU2016-1297 DRAWN BY CHKD: APPR: JDENG02 2016/03/07 2016/03/07 DESCRIPTION	QUALITY SYMBOLS $\nabla=0$ $\nabla=0$ $\nabla=0$		GENERAL TOLERANCES (UNLESS SPECIFIED) <table border="1"> <thead> <tr> <th></th> <th>mm</th> <th>INCH</th> </tr> </thead> <tbody> <tr> <td>4 PLACES</td> <td><math>\pm 0.10</math></td> <td><math>\pm 0.004</math></td> </tr> <tr> <td>3 PLACES</td> <td><math>\pm 0.15</math></td> <td><math>\pm 0.005</math></td> </tr> <tr> <td>2 PLACES</td> <td><math>\pm 0.20</math></td> <td><math>\pm 0.008</math></td> </tr> <tr> <td>1 PLACE</td> <td><math>\pm 0.30</math></td> <td><math>\pm 0.012</math></td> </tr> <tr> <td>0 PLACE</td> <td><math>\pm 0.40</math></td> <td><math>\pm 0.016</math></td> </tr> </tbody> </table>			mm	INCH	4 PLACES	$\pm 0.10$	$\pm 0.004$	3 PLACES	$\pm 0.15$	$\pm 0.005$	2 PLACES	$\pm 0.20$	$\pm 0.008$	1 PLACE	$\pm 0.30$	$\pm 0.012$	0 PLACE	$\pm 0.40$	$\pm 0.016$	DIMENSION STYLE <b>MM ONLY</b>		SCALE <b>2:1</b>	DESIGN UNITS <b>METRIC</b>	THIRD ANGLE PROJECTION
		mm	INCH																								
	4 PLACES	$\pm 0.10$	$\pm 0.004$																								
	3 PLACES	$\pm 0.15$	$\pm 0.005$																								
2 PLACES	$\pm 0.20$	$\pm 0.008$																									
1 PLACE	$\pm 0.30$	$\pm 0.012$																									
0 PLACE	$\pm 0.40$	$\pm 0.016$																									
DRAFT WHERE APPLICABLE MUST REMAIN WITHIN DIMENSIONS			MATERIAL NO. <b>SEE BOM</b>		DOCUMENT NO. <b>SD-33482-061</b>		SHEET NO. <b>7 OF 9</b>																				
DRAWN BY MD LCK DATE 2011/07/22		CHECKED BY MD LCK DATE 2011/12/19		APPROVED BY DATE		TITLE <b>MX150 2X3 BLADE SEALED ASSEMBLY MAT SEAL</b>																					





ASSEMBLY DESCRIPTION	ASSEMBLY PART NUMBER	A	B	C	D	C	D	A	GC	GCL	1	2	3	4	5	6	STATUS	COMMENTS	BACKSHELL WITH RIBS	BACKSHELL WITHOUT RIBS			
KEY A, BLACK	33482-0653	A							GC			2			5		PLANNED OBSOLESCENCE SEE DRAWING SD-33482-0002 FOR REPLACEMENT P/N	REPLACEMENT P/N'S ARE: 33482-06XX TO 33482-36XX	34950-0610	34950-0620			
KEY A, BLACK	33482-0652	A							GC		1				6								
KEY A, BLACK	33482-0651	A							GC			2		4	6								
KEY A, BLACK	33482-0650	A							GC		1		3		5								
KEY A, BLACK	33482-0649	A							GC					4	6								
KEY C, DARK GRAY	33482-0648				C				GC						6								
KEY B, LIGHT GRAY	33482-0647		B						GC			2	3										
KEY A, BLACK	33482-0646	A							GC			2	3										
KEY A, BLACK	33482-0645	A							GC				3	4	5	6							
KEY A, YELLOW	33482-0644	A						A	GC														
		A	B	C	D	C	D	A	GC	GCL	1	2	3	4	5	6							
											BLOCKED TERMINAL												
											CAVITY WITH A NUMBER INDICATES BLOCKED TERMINAL POSITION												
											CAVITY WITHOUT A NUMBER INDICATES OPEN TERMINAL POSITION												
											OPTIONAL ATTACHMENTS SOLD SEPARATELY												

STANDARD PLR	NATURAL	SPS/NYLON GF20
MAT SEAL	BURNT ORANGE	INHERENTLY LUBRICATED SILICONE
GROMMET CAP, LENGTHENED	BLACK	SPS/NYLON GF20
GROMMET CAP, STANDARD	BLACK	SPS/NYLON GF20
HOUSING KEYING OPTION A	YELLOW	SPS/NYLON GF20
HOUSING KEYING OPTION D	STONE GRAY	SPS/NYLON GF20
HOUSING KEYING OPTION C	DARK GRAY	SPS/NYLON GF20
HOUSING KEYING OPTION D	GREEN	SPS/NYLON GF20
HOUSING KEYING OPTION C	BROWN	SPS/NYLON GF20
HOUSING KEYING OPTION B	LIGHT GRAY	SPS/NYLON GF20
HOUSING KEYING OPTION A	BLACK	SPS/NYLON GF20
DESCRIPTION	COLOR	MATERIAL
BOM/APPLICABLE COMPONENTS TABLE		

<b>ENTER DESCRIPTION</b> IEC NO. UAU2016-1297 DRAWN BY: 2016/03/07 CHKD: 2016/03/07 APPR: JDEMOZ REVISION: AB	QUALITY SYMBOLS	GENERAL TOLERANCES (UNLESS SPECIFIED)	DIMENSION STYLE	SCALE	DESIGN UNITS	THIRD ANGLE PROJECTION
	▽=0	mm INCH	MM ONLY	2:1	METRIC	☉
	▽=0	4 PLACES ± --- ± ---	DRAWN BY DATE			
	▽=0	3 PLACES ± 0.10 ± ---	MDICK 2011/07/22			
	2 PLACES ± 0.3 ± ---	CHECKED BY DATE				
	1 PLACE ± --- ± ---	MDICK 2011/12/19				
	0 PLACE ± --- ± ---	APPROVED BY DATE				
	ANGULAR ± 3 °	MATERIAL NO.	SEE BOM			
	DRAFT WHERE APPLICABLE MUST REMAIN WITHIN DIMENSIONS	DOCUMENT NO.	SD-33482-061			
		SHEET NO.	9 OF 9			