



Connectors > Automotive Connectors > Connector Housings > ECONOSEAL, CONNECTOR HOUSING



Connector & Housing Type: **Housing for Male Terminals**

Connector System: **Wire-to-Wire**

Number of Positions: **4**

Centerline (Pitch): **4.8 mm [.189 in]**

Sealable: **No**

[All ECONOSEAL, CONNECTOR HOUSING \(90\)](#)

Features

Product Type Features

Connector & Housing Shape	Rectangular
Connector & Housing Type	Housing for Male Terminals
Connector System	Wire-to-Wire
Sealable	No
Hybrid Connector	No
Primary Locking Feature	Integrated in Housing

Configuration Features

Number of Positions	4
Number of Rows	2

Body Features

Cable Exit Angle	180°
Body Material	PA
Primary Product Color	Black

Contact Features

Contact Size	1.8mm
--------------	-------

Mechanical Attachment

Mounting Feature	Without
------------------	---------



Terminal Position Assurance	Yes
Strain Relief	Without
Mating Alignment Type	Polarized
Mating Alignment	With
Connector Mounting Type	Cable Mount (Free-Hanging)

Housing Features

Centerline (Pitch)	4.8 mm [.189 in]
--------------------	------------------

Dimensions

Product Width	33.35 mm [1.313 in]
Product Length	18.3 mm [.72 in]
Product Height	26.3 mm [1.035 in]
Row-to-Row Spacing	5.6 mm [.22 in]

Packaging Features

Packaging Quantity	800
Packaging Method	Box

Other

Connector Position Assurance Capable	No
--------------------------------------	----

Product Compliance

[For compliance documentation, visit the product page on TE.com>](#)

EU RoHS Directive 2011/65/EU	Compliant
EU ELV Directive 2000/53/EC	Compliant
China RoHS 2 Directive MIIT Order No 32, 2016	No Restricted Materials Above Threshold
EU REACH Regulation (EC) No. 1907/2006	Current ECHA Candidate List: JUNE 2022 (224) Candidate List Declared Against: JAN 2022 (223) SVHC > Threshold: Not Yet Reviewed
Halogen Content	Low Halogen - Br, Cl, F, I < 900 ppm per homogenous material. Also BFR/CFR/PVC Free
Solder Process Capability	Not applicable for solder process capability

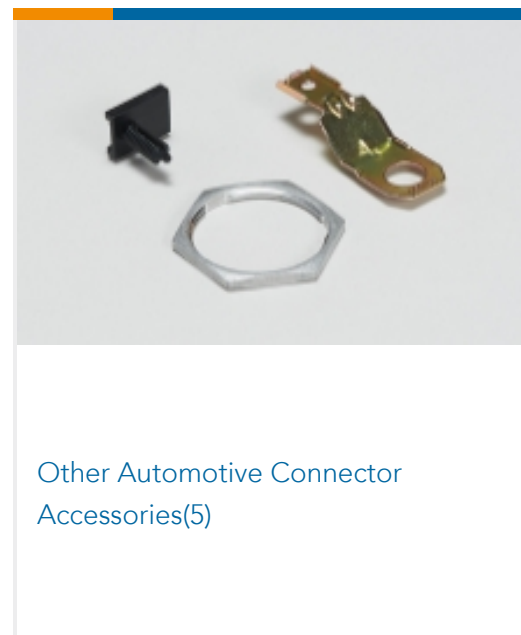
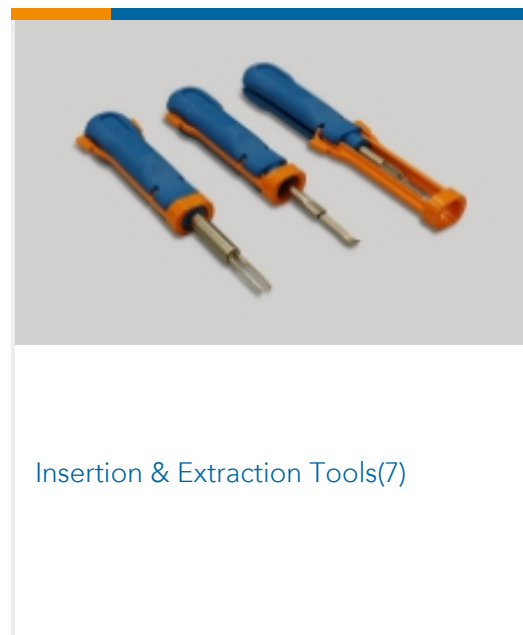
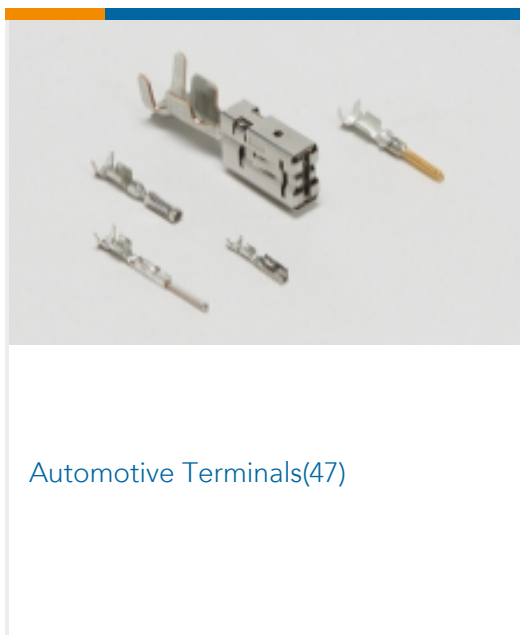
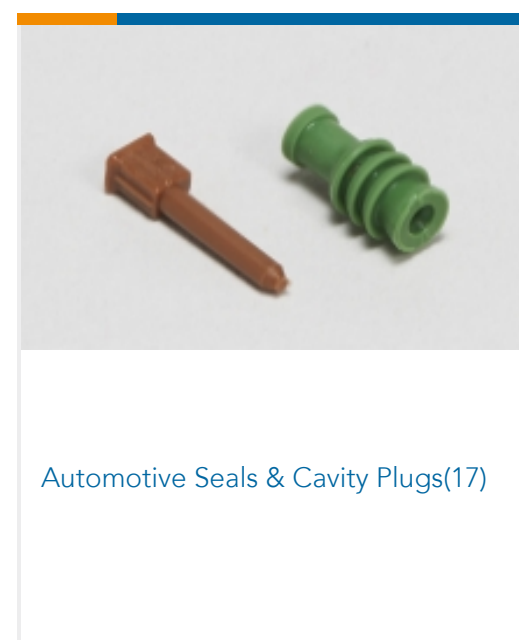
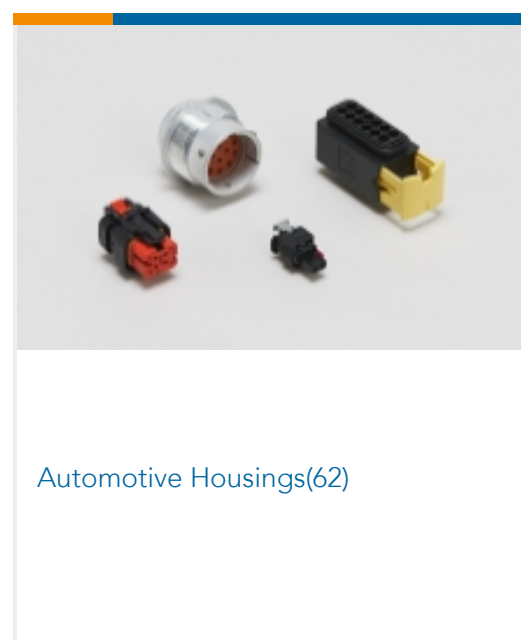
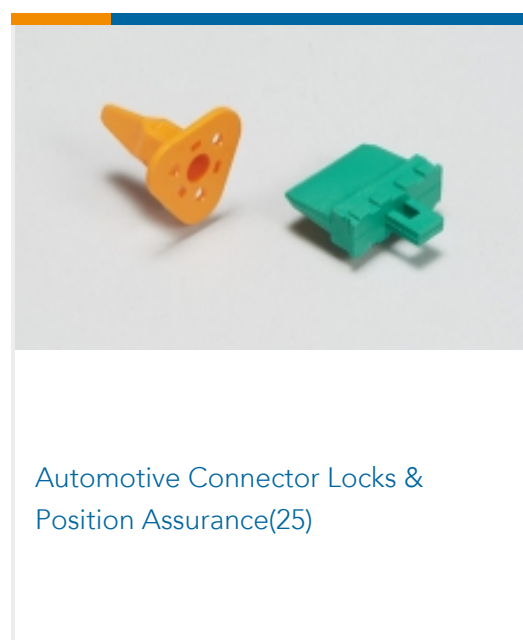
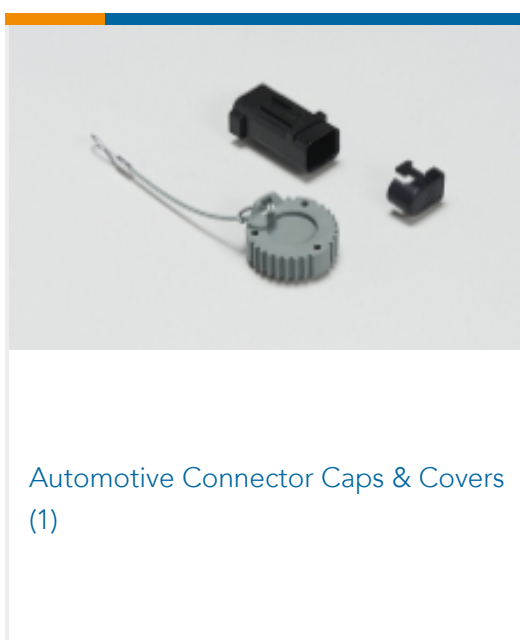
Product Compliance Disclaimer

This information is provided based on reasonable inquiry of our suppliers and represents our current actual knowledge based on the information they provided. This information is subject to change. The part numbers that TE has identified as EU RoHS compliant have a maximum concentration of 0.1% by weight in homogenous materials for lead, hexavalent chromium, mercury, PBB, PBDE, DBP, BBP, DEHP, DIBP, and 0.01% for cadmium, or qualify for an exemption to these limits as defined in the Annexes of Directive 2011/65/EU (RoHS2). Finished electrical and electronic equipment products will be CE marked as required by Directive 2011/65/EU. Components may not be CE marked. Additionally, the part numbers that TE has identified as EU ELV compliant have a maximum concentration of 0.1% by weight in homogenous materials for lead, hexavalent chromium, and mercury, and 0.01% for cadmium, or qualify for an exemption to these limits as defined in the Annexes of Directive 2000/53/EC (ELV). Regarding the REACH Regulation, the information TE provides on SVHC in articles for this part number is based on the latest European Chemicals Agency (ECHA) 'Guidance on requirements for substances in articles' posted at this URL: <https://echa.europa.eu/guidance-documents/guidance-on-reach>

Compatible Parts



Also in the Series | Econoseal



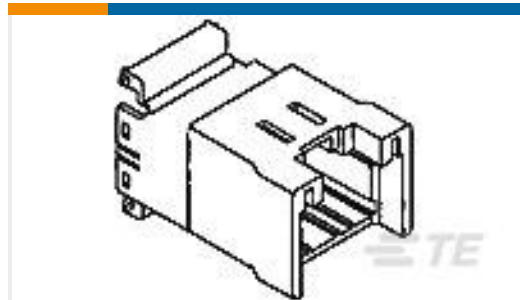


Primary Wire(1)

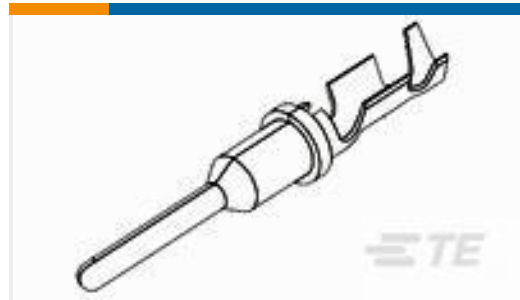
Customers Also Bought



TE Part #776537-1
AS 16, 6P CAP ASSY, RD, KEY 1



TE Part #174058-2
040 MULTILOCK CAP 12P



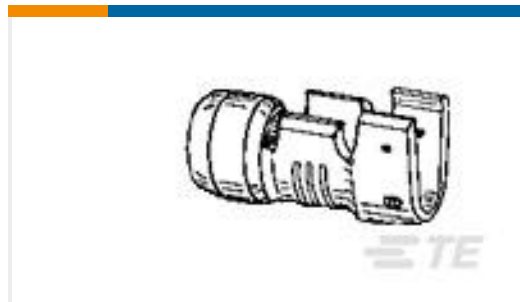
TE Part #1924463-3
PIN, SF, SIZE 16, 18-20 AWG, NI/SN



TE Part #61165-1
BUTTON CONTACT 20-16 AWG BR



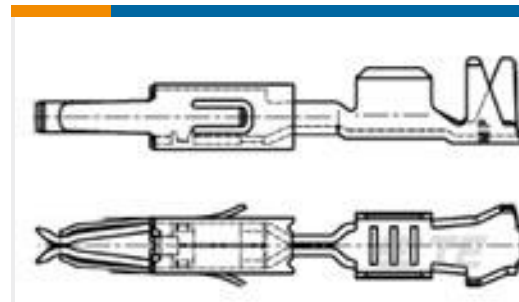
TE Part #1-150504-2
BUTTON CONTACT 20-16 .0158 X .625 TPBR



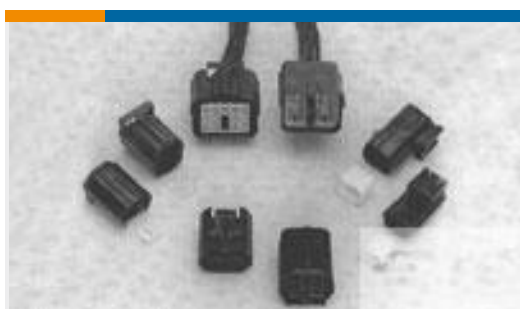
TE Part #152476-1
SIDE FEED G.B.BULLET.



TE Part #347874-1
CABLE SEAL LC SILICON 0.5 T



TE Part #964275-3
MT2 REC 1.6 Contact SWS Au (LP)



TE Part #345257-1
ANTI-BACKOUT 4WAY TAB
HSGECONO

Documents

Product Drawings

[4 WAY TAB HOUSING ECONO](#)

English

CAD Files

[Customer View Model](#)

[ENG_CVM_344268-1_D.3d_igs.zip](#)

English

[Customer View Model](#)

344268-1

Housing for Male Terminals, Wire-to-Wire, 4 Position, .189 in [4.8 mm] Centerline, Black, Cable Mount (Free-Hanging), Econoseal



[ENG_CVM_344268-1_D.3d_stp.zip](#)

English

Customer View Model

[ENG_CVM_344268-1_D.2d_dxf.zip](#)

English

3D PDF

English

By downloading the CAD file I accept and agree to the [Terms and Conditions](#) of use.

Datasheets & Catalog Pages

Econoseal Connector Series

English