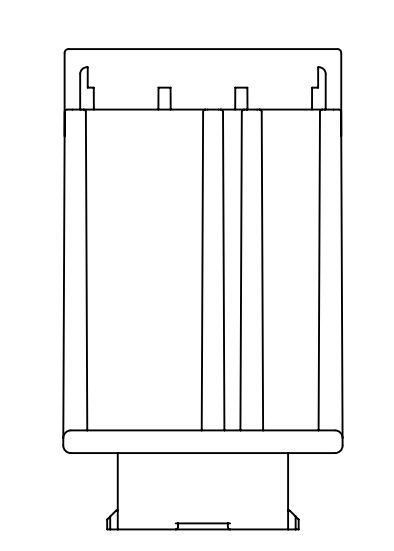


MOLEX AUTOMATION ENGINEERING	FUNCTIONAL ASSEMBLY	= 0
CUSTOMER	FUNCTIONAL CUSTOMER	= 0
MOLEX PRODUCT ENGINEERING	FUNCTIONAL PERFORMANCE	= 2

- NOTES:
- DIMENSIONED IN ACCORDANCE WITH ANSI Y14.5M-1994.
 - PARTS SHIPPED WITH TPA IN PRELOADED POSITION AS SHOWN UPON FULL TERMINAL ASSEMBLY, THE TPA MUST BE SNAPPED INTO ITS FINAL LOCKED POSITION.
 - TPA'S MAY BECOME SEATED DURING TRANSIT. IF THIS OCCURS REFERENCE MOLEX PRODUCT SPECIFICATION PS-34646-001.
 - SEE TABLE ON SHEET 2 FOR APPROVED YAZAKI KAIZEN CAVITY COMPATIBLE FEMALE TERMINALS.
 - OPTIONAL CPA SHOWN IN ALL VIEWS. SEE TABLES FOR SPECIFIC ASSEMBLY OPTION AND NUMBER.
 - PACKAGING PER DRAWING PK-31300-044.
 - SOME DAMAGE CAN OCCUR DURING SHIPPING. ANY CONNECTORS WITH VISIBLE DAMAGE SHOULD BE DISCARDED



PART OPTIONS

MOLEX ASSY. P/N	HOUSING P/N	TPA P/N	POLARIZATION	COLOR	CPA	TOOLED
31410-0120	31410-2120	31410-3120	A	BLACK	Y	YES
31410-1120					N	YES
31410-0121					Y	YES
31410-1121	31410-2122	31410-3120	B	GRAY	N	YES
31410-0122					Y	YES
31410-1122					N	YES
31410-0125	31410-2124	31410-3120	A	BLACK	Y	YES
31410-1125					N	YES
31410-0126					Y	YES
31410-1126	31410-2126	31410-3120	B	GRAY	N	YES
31410-0127					Y	YES
31410-1127					N	YES

EDIT TERMINAL CHART EC NO: UAU2018-0167 DRWN: JFISCHER01 2017/08/29 CHKD: RBAUMAN 2017/08/31 APPR: RBAUMAN 2017/08/31	QUALITY SYMBOLS	GENERAL TOLERANCES (UNLESS SPECIFIED)		SCALE 2:1	DESIGN UNITS METRIC	THIRD ANGLE PROJECTION	REVISE ON CAD ONLY	
	▼ = 0 ∇ = 0	mm	INCH	DIMENSION STYLE MM ONLY		TITLE		
		4 PLACES ± ---	± ---	DRAWN BY MDANIELS DATE 04/15/2004		USCAR 0.64MM RECEPTACLE SALES DRAWING, 12 CKT.		
		3 PLACES ± ---	± ---	CHECKED BY SKAROLEW DATE 04/16/2004				
2 PLACES ± 0.13		± ---	APPROVED BY BBWILSON DATE 04/16/2004		MOLEX INCORPORATED			
1 PLACE ± 0.25	± ---	DRAFT WHERE APPLICABLE MUST REMAIN WITHIN DIMENSIONS		MATERIAL NO. SEE CHART		DOCUMENT NO. SD-31410-160	SHEET NO. 1 OF 2	
G5	THIS DRAWING CONTAINS INFORMATION THAT IS PROPRIETARY TO MOLEX INCORPORATED AND SHOULD NOT BE USED WITHOUT WRITTEN PERMISSION							D

SUPPLIER	TERMINAL	ORIENATTION	AWG	MATERIAL	PLATING	SUPP PART #	GM PART #
TYCO	GEN Y	SIDE	20-22	CuNiSi	TIN	2035170-1	13576204
TYCO	GEN Y	SIDE	18	CuNiSi	TIN	2035170-2	13576205
TYCO	GEN Y	SIDE	20-22	BRONZE	SILVER	2035124-1	13576200
TYCO	GEN Y	SIDE	18	BRONZE	SILVER	2035124-2	13576201
TYCO	GEN Y	DOWN	20-22	CuNiSi	TIN	1924727-1	13576202
TYCO	GEN Y	DOWN	18	CuNiSi	TIN	1924727-2	13576203
JST	AIT	SIDE	20-22	Cu ALLOY	AuSn	SAIT-A03GF-M064	19167039
JST	AIT	SIDE	18	Cu ALLOY	AuSn	SAIT-A02GF-M064	19167040
JST	AIT	SIDE	20-22	Cu ALLOY	PRE-TIN	SAIT-A03T-M064	19167037
JST	AIT	SIDE	18	Cu ALLOY	PRE-TIN	SAIT-A02T-M064	19167038

USING 18GA TERMINAL SYSTEMS RESULTS IN HIGHER THAN NORMAL TERMINAL-TO-CONNECTOR INSERTION FORCE.

EDIT TERMINAL TABLE EC NO: UAU2018-0167 DRWN: JFISCHER01 CHKD: RBALIMAN APPR: RBALIMAN 2017/08/29 2017/08/31	QUALITY SYMBOLS	GENERAL TOLERANCES (UNLESS SPECIFIED)		DIMENSION STYLE MM ONLY		SCALE 2:1	DESIGN UNITS METRIC	THIRD ANGLE PROJECTION	
	▽=0	4 PLACES	mm	INCH	DRAWN BY	DATE	TITLE		
	▽=0	3 PLACES	± ---	± ---	MDANIELS	04/15/2004	USCAR 0.64MM RECEPTACLE SALES DRAWING, 12 CKT.		
	▽=0	2 PLACES	± 0.13	± ---	SKAROLEW	04/16/2004	molex		
	1 PLACE	± 0.25	± ---	APPROVED BY	DATE	DOCUMENT NO.		SHEET NO.	
	0 PLACE	±	±	BBWILSON	04/16/2004	SD-31410-160		2 OF 2	
		ANGULAR ± 3		MATERIAL NO.					
		DRAFT WHERE APPLICABLE MUST REMAIN WITHIN DIMENSIONS		SIZE	THIS DRAWING CONTAINS INFORMATION THAT IS PROPRIETARY TO MOLEX INCORPORATED AND SHOULD NOT BE USED WITHOUT WRITTEN PERMISSION				
				D					