

**Direct Links**

- Cross Reference
- RoHS/LF P/N search
- Document & Drawing search
- Application tooling

**Services**

- Contact us
- Distributor list
- Pricing request
- Order samples

**Literature**

- Brochures & catalogs
- Product documentation
- Technical library

Start > Search=30220801\* > **30220801**

**30220801**



**30220801**

**6 way Component-to-Wire Female housing**

**ACTIVE**

[Customer Drawing](#)

**Automotive division**

[Assistant](#) [A](#)

[Email Datasheet](#)  [Pr](#)

**FCI Brings You More**

[Contact our sales/tec](#)

[Sample request](#)

[Price request](#)

## Specifications

General Mechanical Physical Terminal 1 Type Environmental Other Features

**General**

Application	Wire to Device
Ways	6
Coding version	Black
Product Type	Housing
Coding	Yes
Family	Wire to Device
Features	Mechanical Polarization Lateral Secondary Lock for Terminal Assurance (T.P.A.) Plastic Locking Feature Several Codings Available
Hybrid	No
Main Terminal family	DCS-2
Main Terminal size	1.5 mm
Sealed	No
Terminal Size	1.5

**Mechanical**

Connector mating force	< 100N
------------------------	--------

**Physical**

Color	Black
Material	PBT
Temperature (Range)	-40°C to+120°C

**Terminal 1 Type**

Terminal type 1	DCS-2 Female 1.5 mm Terminal
Ways for Terminal Type 1	6
Contact insertion force for Terminal Type 1	< 10N
Retention force (Contact) for Terminal Type 1	> 55N

**Environmental**

IMDS	Yes
------	-----

**Other Features**

Type	Female
Disclaimer	For more Information, please contact sales office. Displayed data is for information pur The supply of some products might some customers.

# Component-to-wire connectors **FCI**

## DCS-2

### 5/6/16/18 way female housing for 1.5 + 2.8 + 4.8 mm terminals

#### Features

- 5-6-16-18 position housing available
- Lateral secondary lock for terminal position assurance (T.P.A.)
- Plastic locking feature
- Mechanical polarization
- Several codings available
- Several colours available



#### Performance characteristics

- Temperature range: from -40°C to +120°C
- Contact retention force:
  - > 55 N for DCS-2 1.5 mm terminals
  - > 80 N for DCS-2 2.8 mm terminals
- Contact insertion force:
  - < 10 N for DCS-2 1.5 mm terminals
  - > 15 N for DCS-2 2.8 mm terminals
- Connector mating force: < 100 N

#### Construction

- Housing material: PBT

#### Tooling

- Terminal removal tool: Consult us
- Mini applicator: Consult us

#### Connector compatibility

- Usable terminals:
  - DCS-2 1.5 mm female terminals
  - DCS-2 2.8 mm female terminals
  - 4.8 mm female terminals

Part Numbers	No. of position	Terminal size	Colour
3 020 18 01	5	1 x [2.8 mm] + 4 x [4.8 mm]	Black
3 020 18 12	5	1 x [2.8 mm] + 4 x [4.8 mm]	Brown
3 022 08 01	6	1.5 mm	Black
3 022 08 12	6	1.5 mm	Brown
3 022 08 23	6	1.5 mm	Red
3 022 08 35	6	1.5 mm	Blue
3 022 08 46	6	1.5 mm	White
3 021 06 01	6	2.8 mm	Black
3 021 06 12	6	2.8 mm	Brown
3 021 06 23	6	2.8 mm	Red
3 021 06 35	6	2.8 mm	Blue
3 021 06 46	6	2.8 mm	White
3 023 23 01	16	12 x [1.5 mm] + 4 x [2.8 mm]	Black
3 022 09 01	18	1.5 mm	Black
3 022 09 12	18	1.5 mm	Brown



# Component-to-wire connectors **FCI**

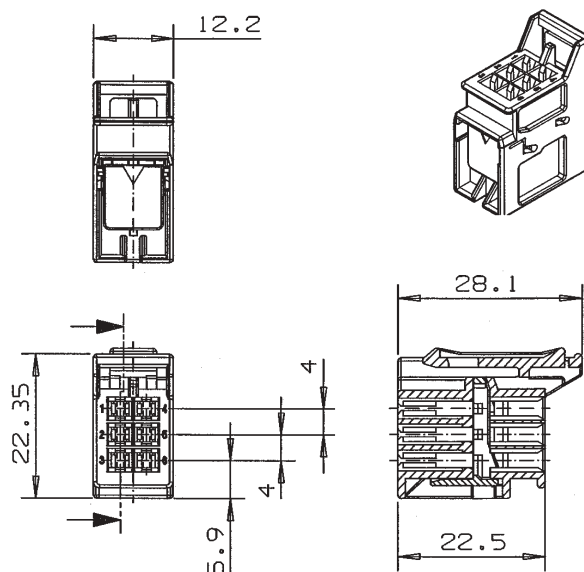
DCS-2

## 5/6/16/18 way female housing for 1.5 + 2.8 + 4.8 mm terminals

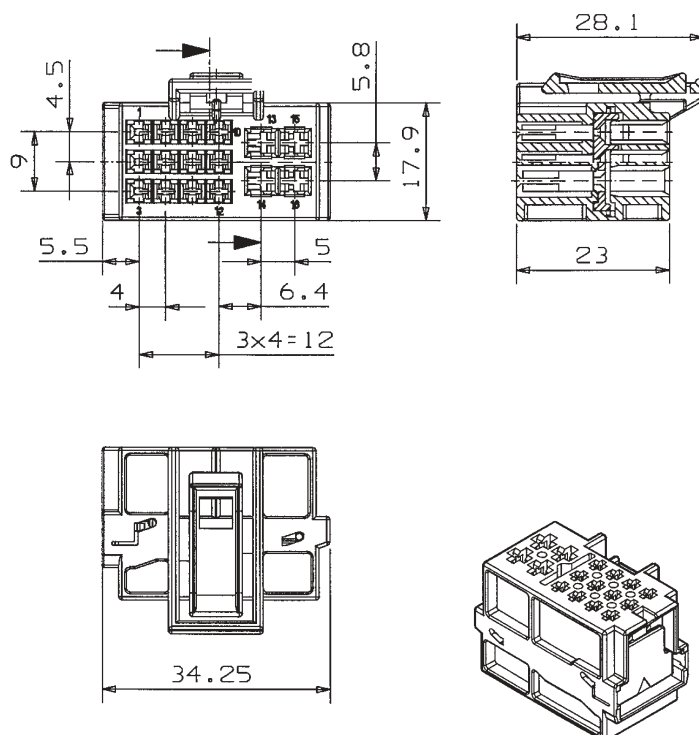
### *Dimensional characteristics*

Notes:

**6 way housing - 1.5 mm terminals**



**16 way housing - 1.5+2.8 mm terminals**



# Component-to-wire connectors



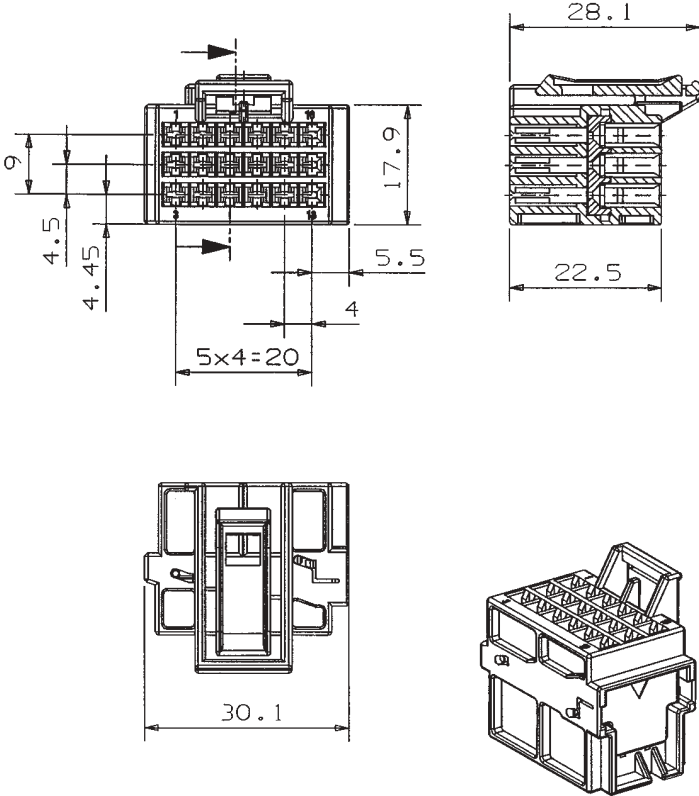
## DCS-2

### 5/6/16/18 way female housing for 1.5 + 2.8 + 4.8 mm terminals

*Dimensional characteristics*

Notes:

**18 way housing - 2.8 mm terminals**




---

---

---

---

---

---

---

---

---

---

---

---

---

---

---

---

---

---

---

---

---

---

---

---