



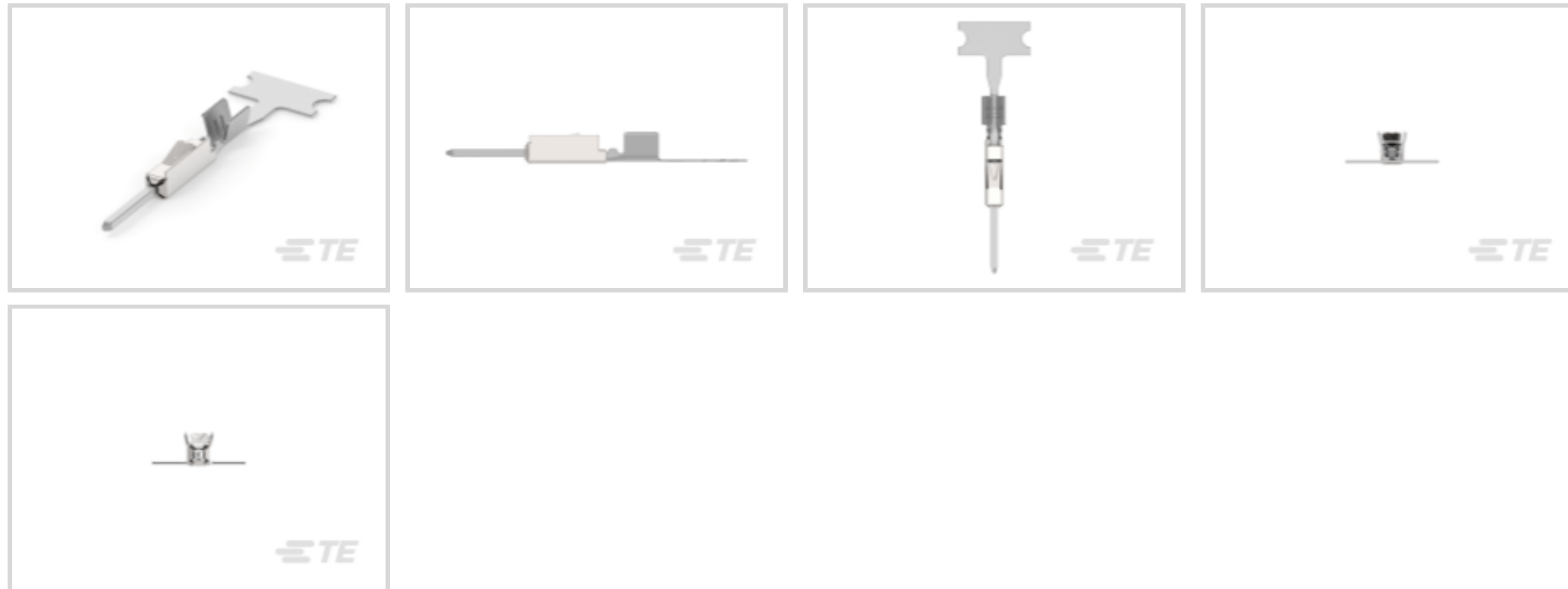
**NECTOR | NECTOR S**

TE Internal #: 293389-1

Plug & Socket Lighting Connector Accessories, Contact, Wire-to-Wire, Wire & Cable, 125 VAC, Power, Cable Mount (Free-Hanging), NECTOR S

[View on TE.com >](#)

Connectors > Lighting Connectors > Plug & Socket Connector Accessories



Lighting Connector Accessory Type: **Contact**

Connector System: **Wire-to-Wire**

Sealable: **No**

Connector & Contact Terminates To: **Wire & Cable**

Operating Voltage: **125 VAC**

**Features**

**Product Type Features**

Wire/Cable Type	Discrete Wire
Product Type	Accessory
Lighting Connector Accessory Type	Contact
Connector System	Wire-to-Wire
Sealable	No
Connector & Contact Terminates To	Wire & Cable

**Electrical Characteristics**

Voltage	42 VDC
Operating Voltage	125 VAC

**Contact Features**

Contact Type	Pin
--------------	-----

**Mechanical Attachment**

Connector Mounting Type	Cable Mount (Free-Hanging)
-------------------------	----------------------------



Operation/Application

Circuit Application	Power
---------------------	-------

Product Compliance

For compliance documentation, visit the product page on TE.com>

EU RoHS Directive 2011/65/EU	Compliant
EU ELV Directive 2000/53/EC	Compliant
China RoHS 2 Directive MIIT Order No 32, 2016	No Restricted Materials Above Threshold
EU REACH Regulation (EC) No. 1907/2006	Current ECHA Candidate List: JUNE 2022 (224) Candidate List Declared Against: JAN 2022 (223) SVHC > Threshold: Not Yet Reviewed
Halogen Content	Low Halogen - Br, Cl, F, I < 900 ppm per homogenous material. Also BFR/CFR/PVC Free
Solder Process Capability	Not applicable for solder process capability

Product Compliance Disclaimer

This information is provided based on reasonable inquiry of our suppliers and represents our current actual knowledge based on the information they provided. This information is subject to change. The part numbers that TE has identified as EU RoHS compliant have a maximum concentration of 0.1% by weight in homogenous materials for lead, hexavalent chromium, mercury, PBB, PBDE, DBP, BBP, DEHP, DIBP, and 0.01% for cadmium, or qualify for an exemption to these limits as defined in the Annexes of Directive 2011/65/EU (RoHS2). Finished electrical and electronic equipment products will be CE marked as required by Directive 2011/65/EU. Components may not be CE marked. Additionally, the part numbers that TE has identified as EU ELV compliant have a maximum concentration of 0.1% by weight in homogenous materials for lead, hexavalent chromium, and mercury, and 0.01% for cadmium, or qualify for an exemption to these limits as defined in the Annexes of Directive 2000/53/EC (ELV). Regarding the REACH Regulation, the information TE provides on SVHC in articles for this part number is based on the latest European Chemicals Agency (ECHA) 'Guidance on requirements for substances in articles' posted at this URL: <https://echa.europa.eu/guidance-documents/guidance-on-reach>

Compatible Parts



TE Part # 293387-2  
NECTOR S OUTLET HV-4 WHITE



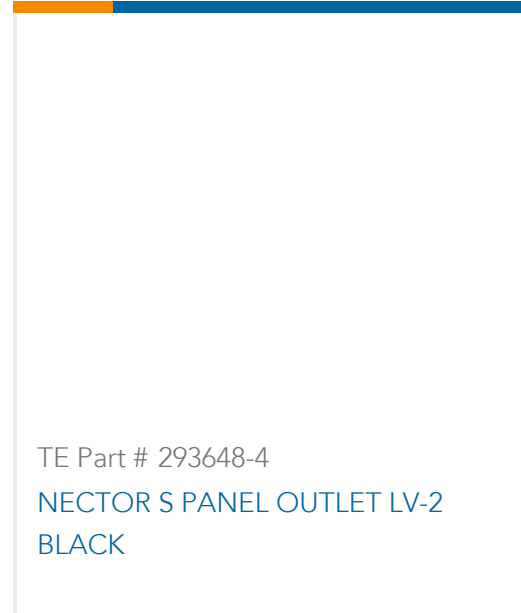
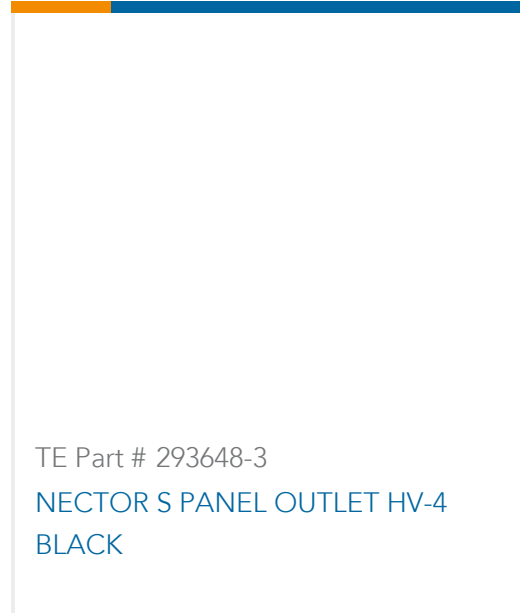
TE Part # 293648-2  
NECTOR S PANEL OUTLET LV-2 WHITE



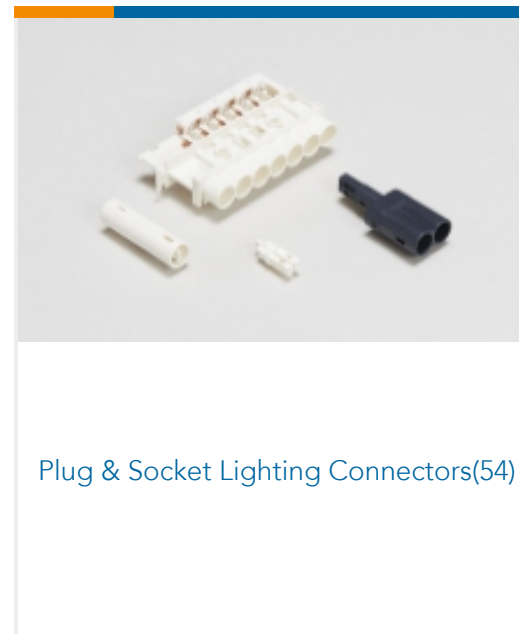
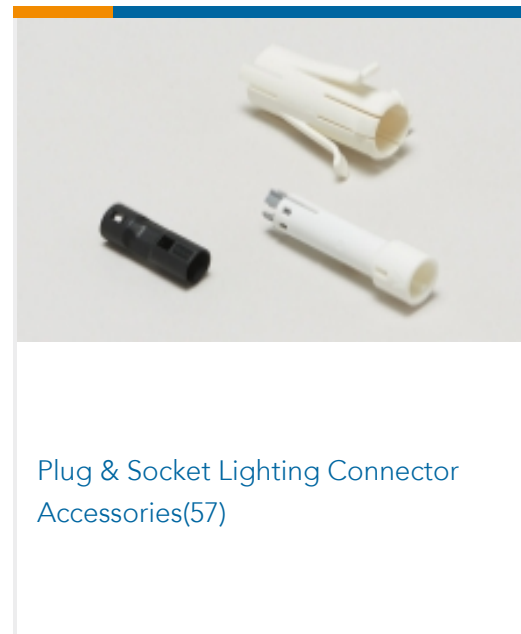
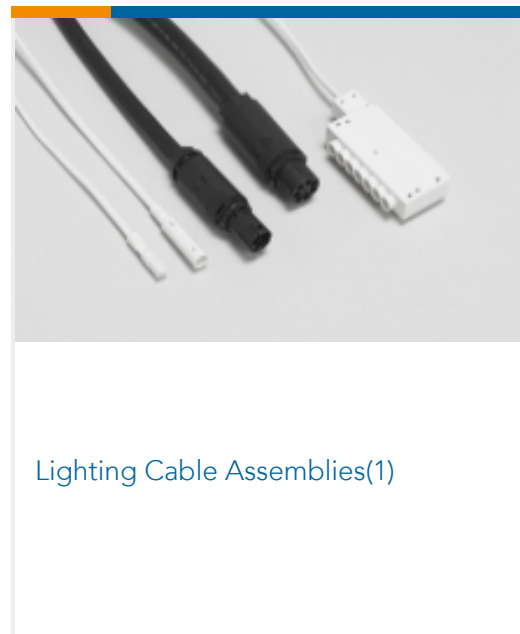
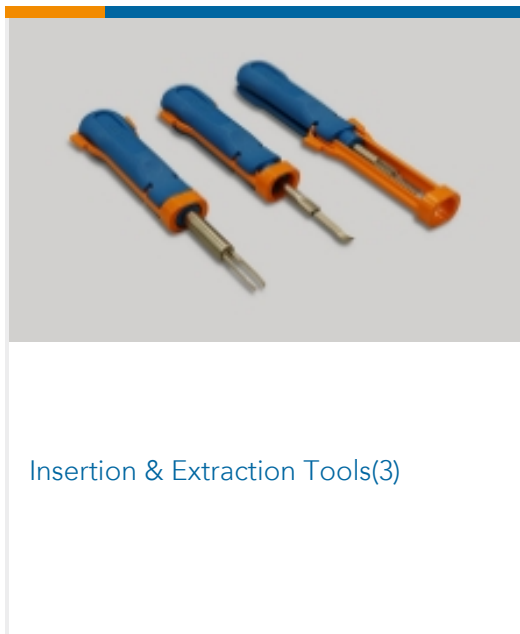
TE Part # 2-2836287-1  
OCEAN\_2.0\_Applicator-S-062F



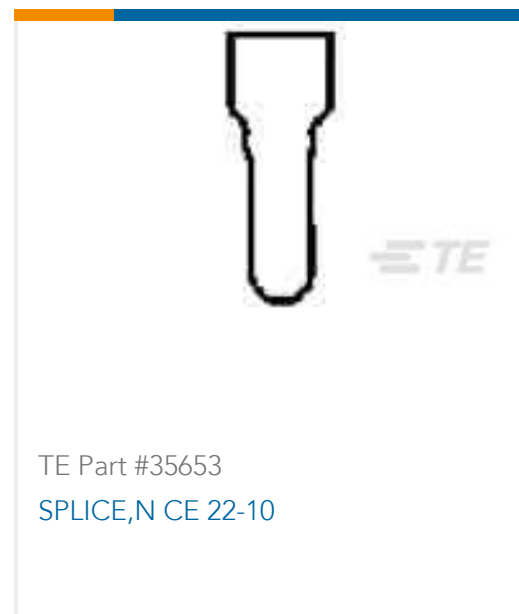
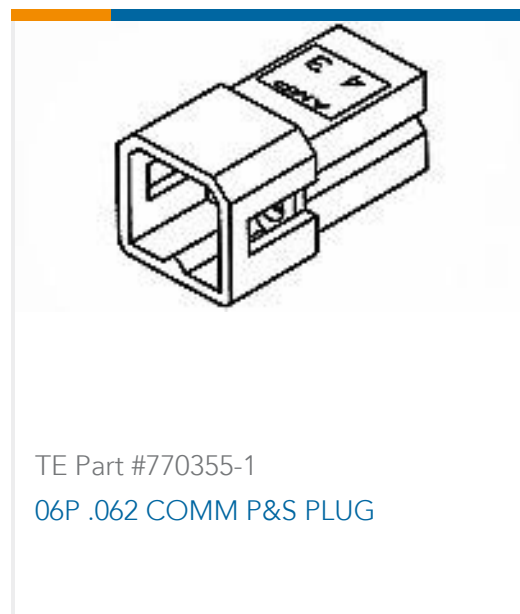
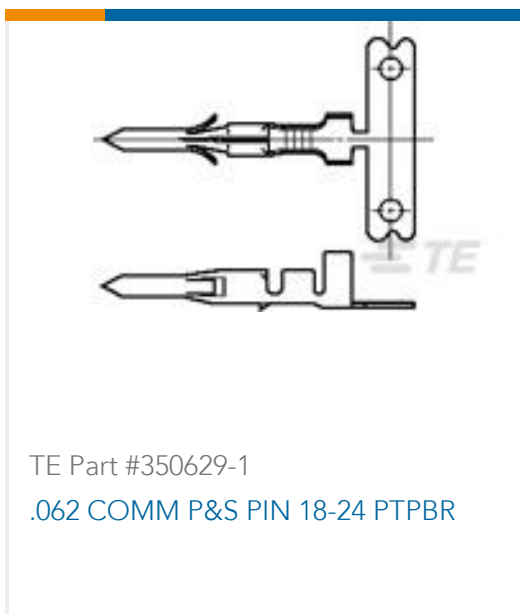
TE Part # 2-2836287-2  
OCEAN\_2.0\_Applicator-S-062F



## Also in the Series | NECTOR S



## Customers Also Bought





## Documents

### Product Drawings

[MICRO QUADLOK SYSTEM PIN CONTACT](#)

English

### CAD Files

Customer View Model

[ENG\\_CVM\\_CVM\\_293389-1\\_B.2d\\_dxf.zip](#)

English

[3D PDF](#)

3D

Customer View Model

[ENG\\_CVM\\_CVM\\_293389-1\\_B.3d\\_igs.zip](#)

English

Customer View Model

[ENG\\_CVM\\_CVM\\_293389-1\\_B.3d\\_stp.zip](#)

English

By downloading the CAD file I accept and agree to the [Terms and Conditions](#) of use.

### Datasheets & Catalog Pages

[NECTOR\\_S\\_LINE\\_CONNECTOR\\_BROCHURE](#)

English

### Product Specifications

[Application Specification](#)

English

### Product Environmental Compliance

[TE Material Declaration](#)

English