

292254-4 ✓ ACTIVE

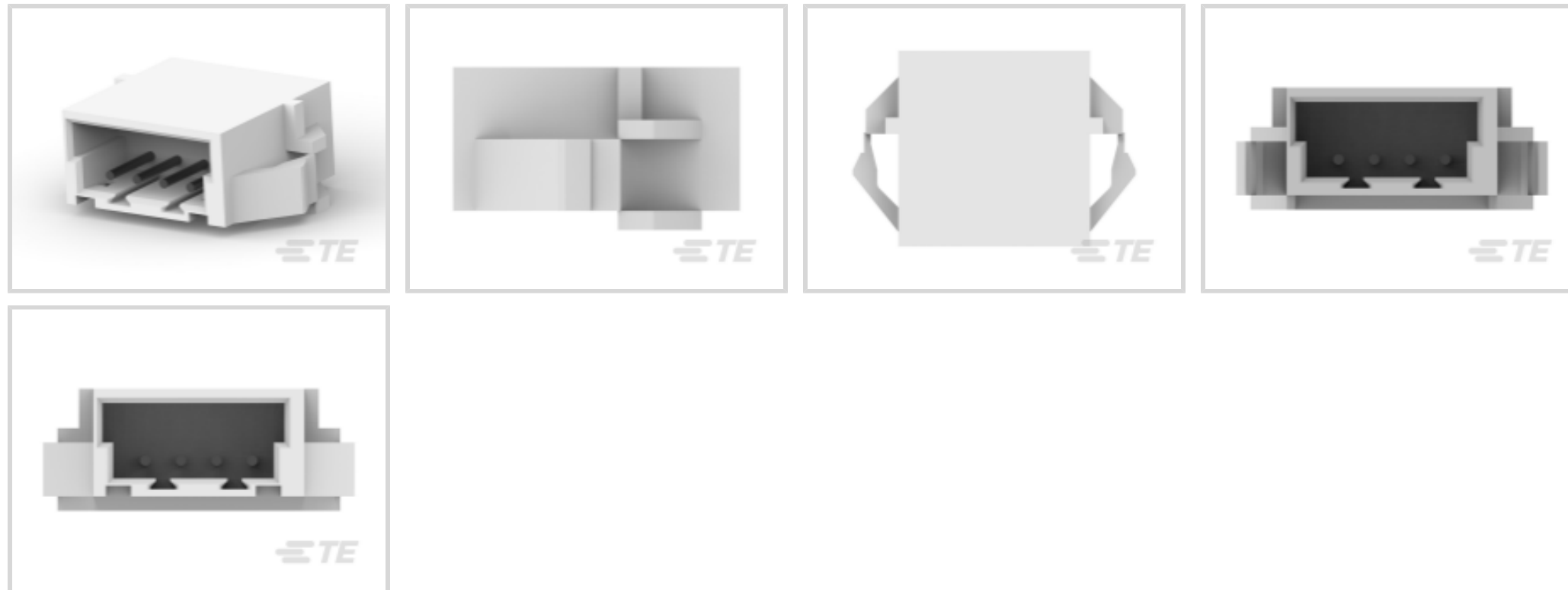
AMP CT

TE Internal #: 292254-4

TE Internal Description: CT RELAY HDR ASSY 4P NAT

AMP COMMON TERMINATION HEADERS

[View on TE.com >](#)



All AMP COMMON TERMINATION HEADERS (35)

Product Compliance

[For compliance documentation, visit the product page on TE.com>](#)

EU RoHS Directive 2011/65/EU	Compliant
EU ELV Directive 2000/53/EC	Compliant
China RoHS 2 Directive MIIT Order No 32, 2016	No Restricted Materials Above Threshold
EU REACH Regulation (EC) No. 1907/2006	Current ECHA Candidate List: JUNE 2022 (224) Candidate List Declared Against: JUNE 2022 (224) Does not contain REACH SVHC
Halogen Content	Low Halogen - Br, Cl, F, I < 900 ppm per homogenous material. Also BFR/CFR/PVC Free
Solder Process Capability	Not applicable for solder process capability

Product Compliance Disclaimer

This information is provided based on reasonable inquiry of our suppliers and represents our current actual knowledge based on the information they provided. This information is subject to change. The part numbers that TE has identified as EU RoHS compliant have a maximum concentration of 0.1% by weight in homogenous materials for lead, hexavalent chromium, mercury, PBB, PBDE, DBP, BBP, DEHP, DIBP, and 0.01% for cadmium, or qualify for an exemption to these limits as defined in the Annexes of Directive 2011/65/EU (RoHS2). Finished electrical and electronic equipment products will be CE marked as required by Directive 2011/65/EU. Components may not be CE marked. Additionally, the part numbers that TE has identified as EU ELV compliant have a maximum concentration of 0.1% by weight in homogenous materials for lead, hexavalent chromium, and mercury, and 0.01% for cadmium, or qualify for an exemption to these limits as defined in the Annexes of Directive 2000/53/EC (ELV). Regarding the REACH Regulation, the information TE provides on SVHC in articles for this part number is based on the latest European Chemicals Agency (ECHA) 'Guidance on requirements for substances in articles' posted at this URL: <https://echa.europa.eu/guidance-documents/guidance-on-reach>

Compatible Parts




TE Part # CAT-AM7017-C7671
AMP COMMON TERMINATION CONTACTS



TE Part # CAT-AM7017-H8172
AMP COMMON TERMINATION HOUSINGS

Also in the Series | AMP CT




PCB Connector Mounting(46)



PCB Headers & Receptacles(756)



Wire-to-Board Connector Assemblies & Housings(257)



Wire-to-Board Connector Contacts(8)

Customers Also Bought



TE Part #1-292215-1
MINI CT SGL RELAY 11P NAT



TE Part #292254-5
CT RELAY HDR ASSY 5P NAT



TE Part #1-292215-0
MINI CT SGL RELAY 10P NAT



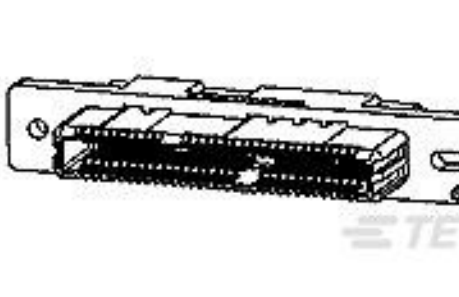
TE Part #1-292215-5
MINI CT SGL RELAY 15P NAT



TE Part #292215-9
MINI CT SGL RELAY 9P NAT



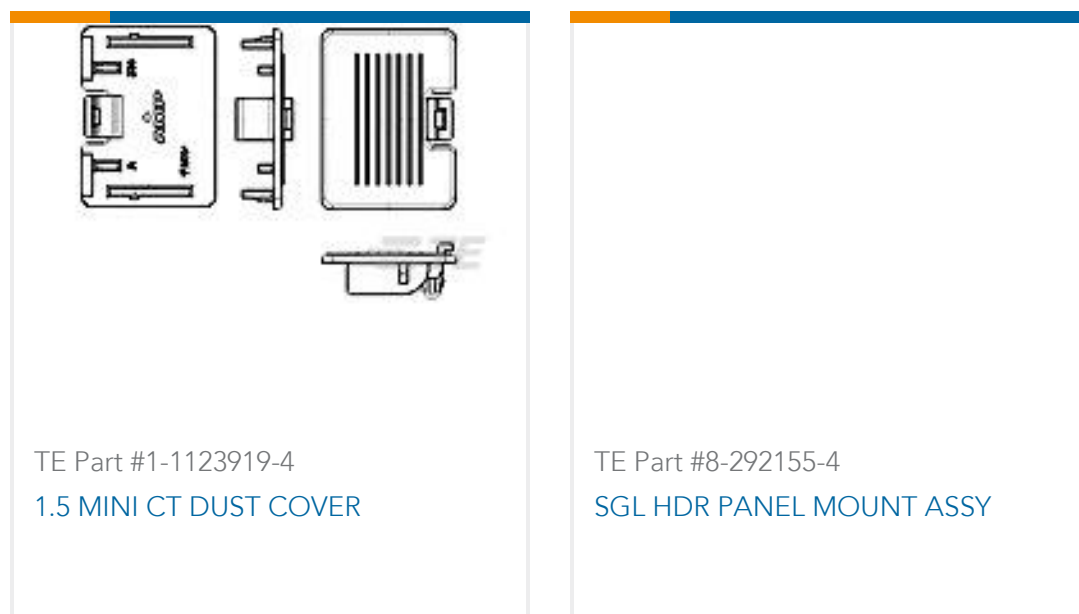
TE Part #3-353293-1
1.5MM CT MT REC ASSY 11P BLACK



TE Part #6-292235-0
1.5 MINI CT DRAWER 60P REC



TE Part #1-292234-4
1.5 MINI CT DRAWER 14P PLUG



Documents

Product Drawings

CT RELAY HDR ASSY 4P NAT

English

CAD Files

3D PDF

3D

Customer View Model

[ENG_CVM_CVM_292254-4_D.2d_dxf.zip](#)

English

Customer View Model

[ENG_CVM_CVM_292254-4_D.3d_igs.zip](#)

English

Customer View Model

[ENG_CVM_CVM_292254-4_D.3d_stp.zip](#)

English

By downloading the CAD file I accept and agree to the [Terms and Conditions](#) of use.

Datasheets & Catalog Pages

2.0MM_AMP_CT_CONNECTOR_SERIES_QUICK_REF_GUIDE

English

Product Specifications

AMP COMMON TERMINATION (CT), CONNECTOR, 2mm PITCH, M/T TYPE, LEAD FREE VERSION

Japanese

Product Specification

Japanese

Product Environmental Compliance

[MD_292254-4_022720191210_dmtec](#)

English

[MD_292254-4_022720191210_dmtec](#)

English

Agency Approvals

Agency Approval Document



English