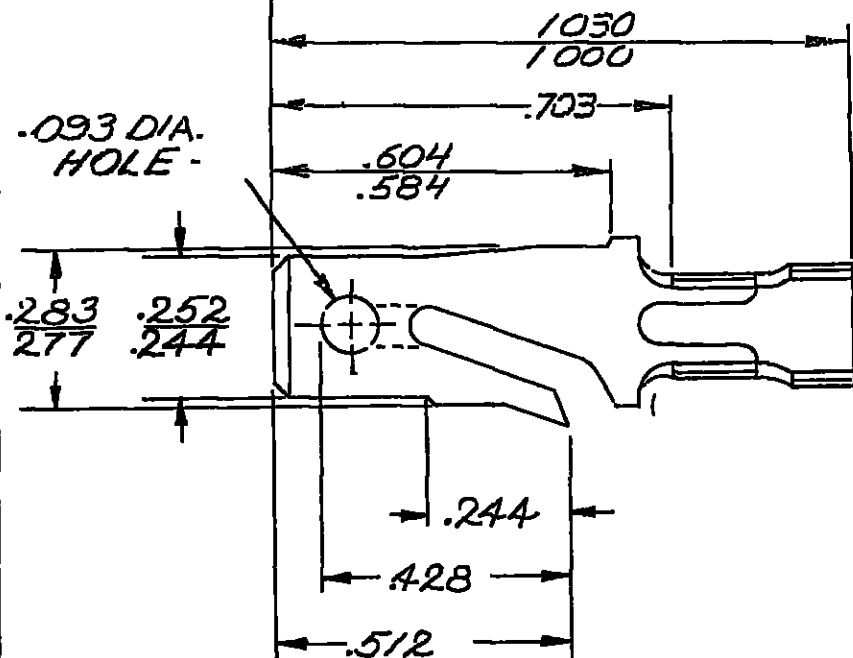


DO NOT SCALE

THIS DRAWING AND DESIGN HEREON CONSTITUTES A PROPRIETARY DESIGN OF PACKARD ELECTRIC DIVISION AND IS NOT TO BE DUPLICATED OR REPRODUCED WITHOUT AUTHORITY OF PACKARD ELECTRIC DIVISION.

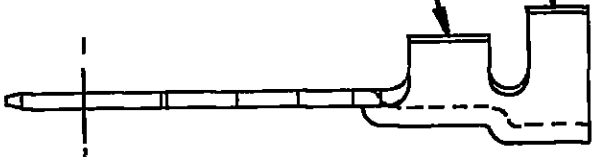
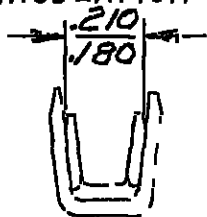
D

ASM DIMENSIONING POINT



CONDUCTOR WINGS FOR 3.0 MM² CABLE.

INSULATION WINGS FOR 3.65 MM MAX. INSULATION DIA.



C02D1581

-OUTLINE DRAWING-

PART NO		2971859		SIZE	A
DATE	SYM	REVISION RECORD		G/N NO	
01SE82		ALL PREVIOUS DATA			
		REMOVED FROM REV.			
		COL THRU REV "AX"			
		REVISED PICTURE		82155	
01AU83AY		REV SYM ADVANCED		86126	

CODE NO 6900

TOLERANCE UNLESS OTHERWISE SPECIFIED

DECIMAL ±.005

FRACTIONAL

ANGULAR ± 2°

DWG DATE 3-18-60 SCALE NONE DR TORR

ROUTING DEPT OUTST REFERENCE

CK *Leid* 3-19-60

APPR

REFERENCE

APPR *FORWARD 3/19*

2962864 "D" SIZE: SHT. 2

APPR

MATERIAL SPEC

.032 THK. SAE CA 210

BRASS - TIN PLATED

COOK NO

NAME

TERMINAL-MALE-56 SERIES

PART NO

2971859

SIZE

A

PACKARD ELECTRIC DIVISION
 GENERAL MOTORS CORPORATION
 WARREN, OHIO

99
 1143
 1146
 CHEV
 OSN
 AM
 ANIC-P
 STD-A
 122V
 FEB-A
 03-R
 14-R
 311-R
 330-R
 350-R
 980R
 952R
 12H
 PEC-R
 265
 PEJ-R 122P