

320570 ✓ ACTIVE



PIDG

TE Internal #: 320570

Splices, 12 – 10 AWG Wire Size, 3 – 6 mm<sup>2</sup> Wire Size, Standard, 5180 – 13100 CMA Wire Size, Copper, Yellow - Translucent, Butt Splice Splice, PIDG

[View on TE.com >](#)

Terminals & Splices > Splices > PIDG Butt Splices



Wire Size: 3 – 6 mm<sup>2</sup>

Sealable: No

Splice Features: Standard

Accepts Wire Insulation Diameter Range: 5.59 mm [ .22 in ]

[All PIDG Butt Splices \(29\)](#)

Features

Product Type Features

Splice Accessory Type	Splice
Sealable	No
Splice Type	Butt Splice
Serrated	Yes
Compatible With Discrete Wire Type	Stranded
Wire Insulation Support Retention Type	Insulation Support

Configuration Features

Number of Serrations	8
Compatible With Wire & Cable Type	Discrete Wire

Body Features

Insulation Sleeve Material	Nylon
Weight per Piece	3.8 g
Plating Material	Tin



Splice Features	Standard
Primary Product Material	Copper
Primary Product Color	Yellow - Translucent

#### Contact Features

Class	1
Contact Plating Material	Tin
Barrel Type	Closed

#### Mechanical Attachment

Wire Insulation Support	With
-------------------------	------

#### Dimensions

Wire Size	5180 – 13100 CMA
Accepts Wire Insulation Diameter Range	5.59 mm[.22 in]
Terminal Material Thickness	.56 mm[.022 in]
Overall Product Length	41.91 mm[1.65 in]

#### Usage Conditions

Insulation Option	Fully Insulated
Operating Temperature Range	105 °C[221 °F]

#### Operation/Application

Heavy Duty	No
------------	----

#### Industry Standards

Government Qualified Splice	Yes
-----------------------------	-----

#### Packaging Features

Packaging Quantity	50
Packaging Method	Loose Piece

#### Other

Military Category	Yes
-------------------	-----

#### Product Compliance

[For compliance documentation, visit the product page on TE.com>](#)

EU RoHS Directive 2011/65/EU	Compliant
EU ELV Directive 2000/53/EC	Compliant
China RoHS 2 Directive MIIT Order No 32, 2016	No Restricted Materials Above Threshold

EU REACH Regulation (EC) No. 1907/2006

Current ECHA Candidate List: JUNE 2022  
(224)Candidate List Declared Against: JAN 2022  
(223)SVHC > Threshold:  
Not Yet Reviewed

Halogen Content

Low Halogen - Br, Cl, F, I < 900 ppm per  
homogenous material. Also BFR/CFR/PVC  
Free

Solder Process Capability

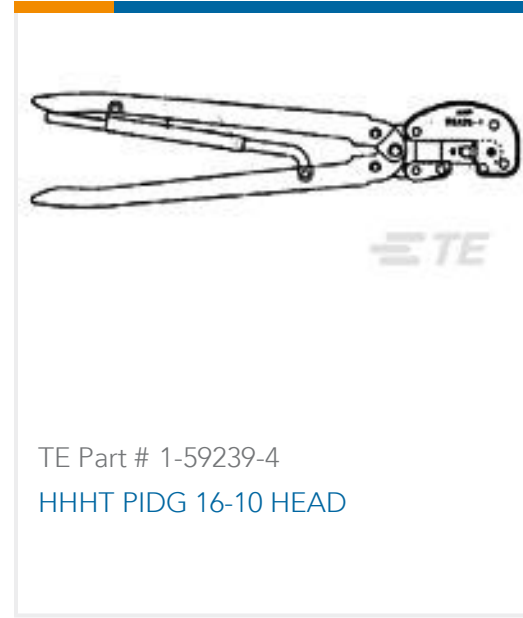
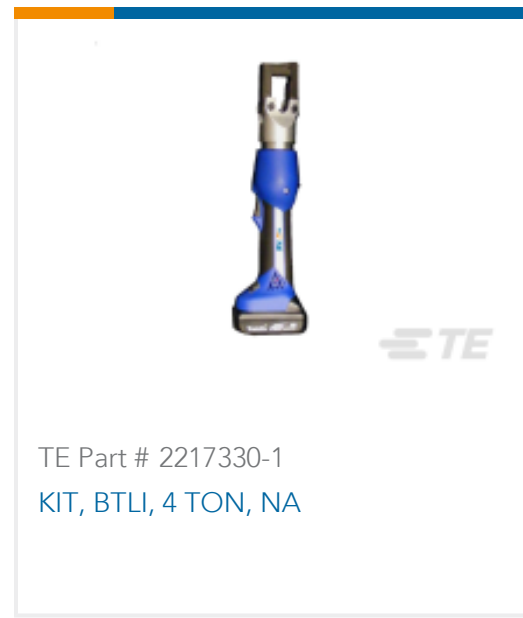
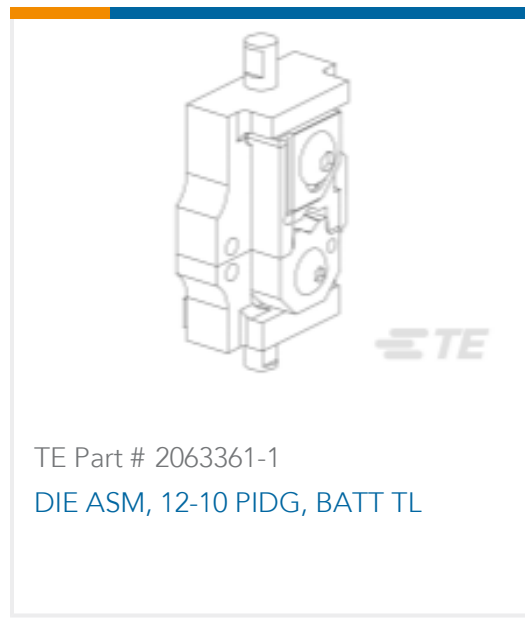
Not applicable for solder process capability

## Product Compliance Disclaimer

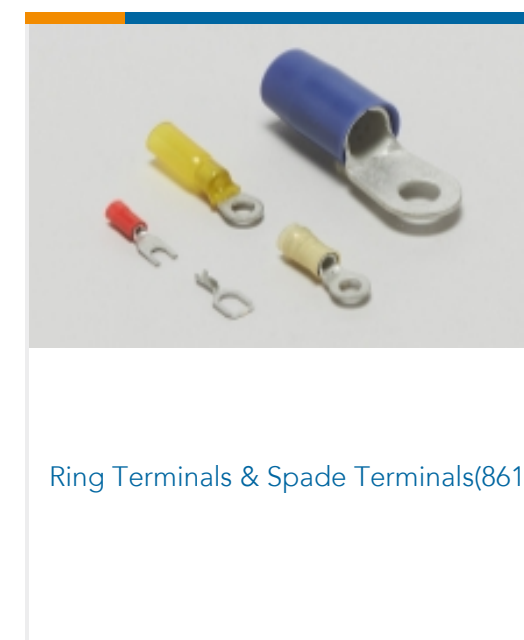
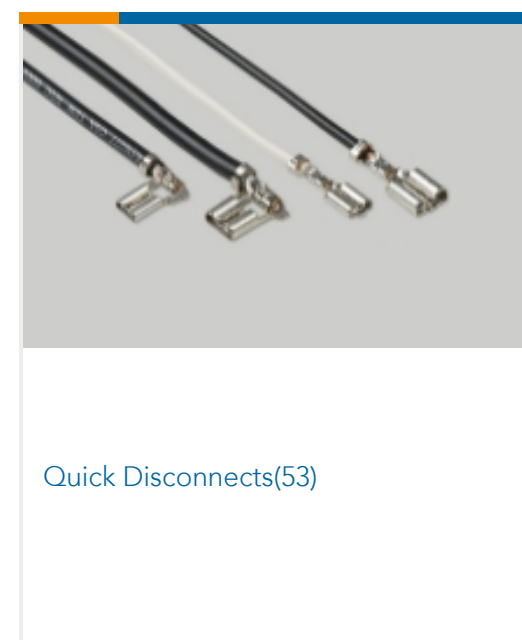
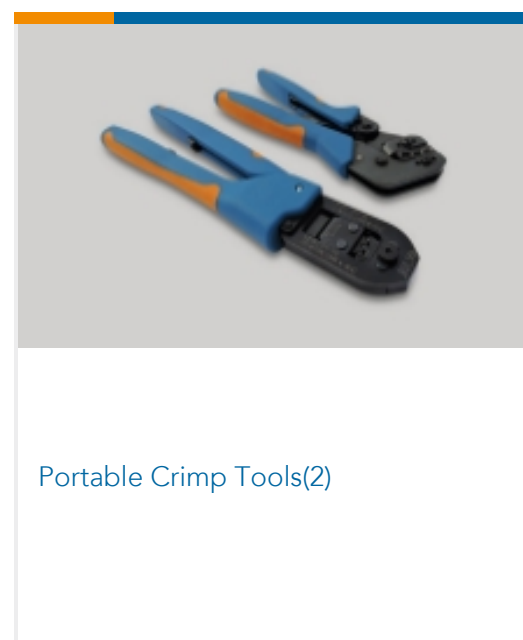
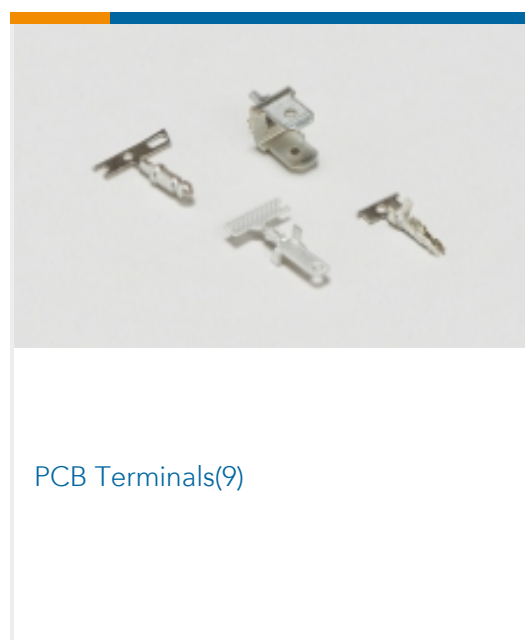
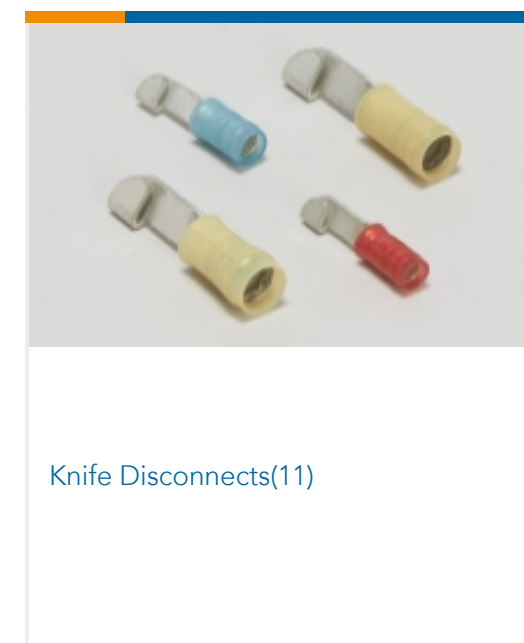
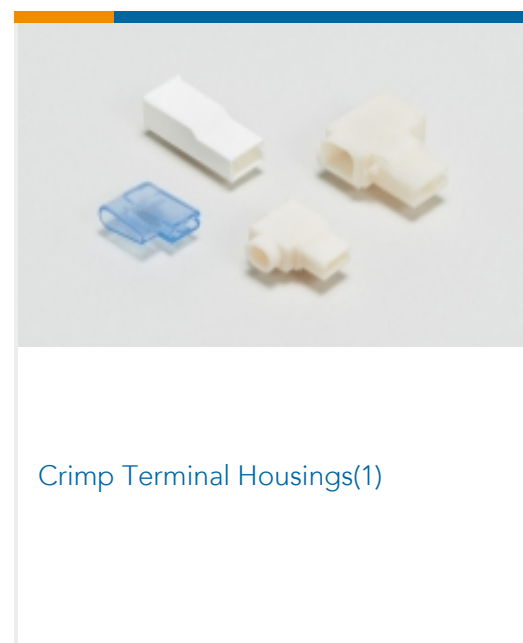
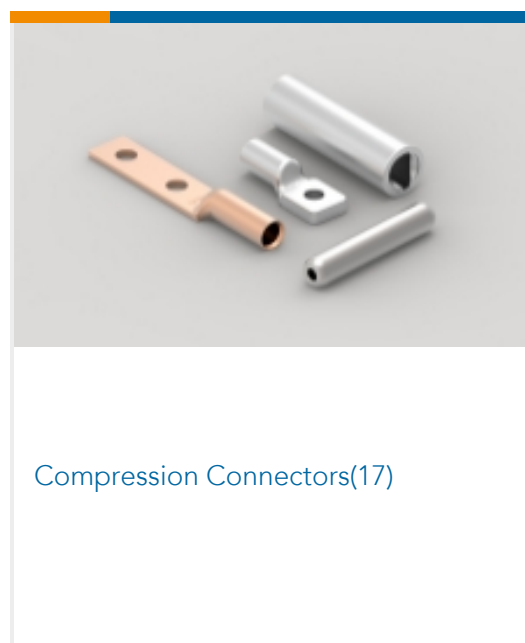
This information is provided based on reasonable inquiry of our suppliers and represents our current actual knowledge based on the information they provided. This information is subject to change. The part numbers that TE has identified as EU RoHS compliant have a maximum concentration of 0.1% by weight in homogenous materials for lead, hexavalent chromium, mercury, PBB, PBDE, DBP, BBP, DEHP, DIBP, and 0.01% for cadmium, or qualify for an exemption to these limits as defined in the Annexes of Directive 2011/65/EU (RoHS2). Finished electrical and electronic equipment products will be CE marked as required by Directive 2011/65/EU. Components may not be CE marked. Additionally, the part numbers that TE has identified as EU ELV compliant have a maximum concentration of 0.1% by weight in homogenous materials for lead, hexavalent chromium, and mercury, and 0.01% for cadmium, or qualify for an exemption to these limits as defined in the Annexes of Directive 2000/53/EC (ELV). Regarding the REACH Regulation, the information TE provides on SVHC in articles for this part number is based on the latest European Chemicals Agency (ECHA) 'Guidance on requirements for substances in articles' posted at this URL: <https://echa.europa.eu/guidance-documents/guidance-on-reach>

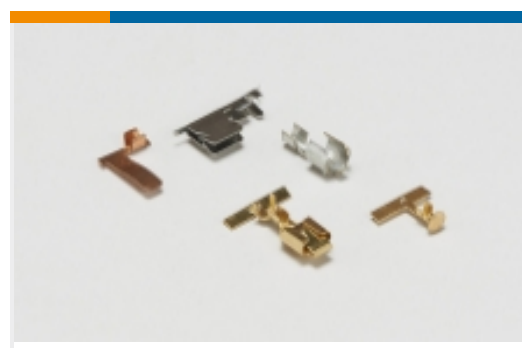
## Compatible Parts

TE Part # 59824-1  
TETRA-CRIMP PIDG PG FASTON 22-  
10 ASSYTE Part # 58433-3  
PRO CR ASSY, RBY IS9252TE Part # 58423-1  
DIE, RBY IS9252TE Part # 2-1377174-3  
SMP 0-0320570-0TE Part # 59239-4  
HHHT PIDG PG 12-10 ASSYTE Part # 539691-2  
ERGO DIE R.B.YTE Part # 525692  
HHHT PIDG PG 12-10 ASSYTE Part # 2063030-1  
SDE DIESET, RBY, UL



Also in the Series | PIDG





Special Purpose Terminals(1)



Splices(48)

## Customers Also Bought

TE Part #5646731-1  
Z-PACK 2MM HM TYPE A/B 125PTE Part #327638  
SPLICE BUTT PIDG 12-10/16-14TE Part #2-320562-3  
SPLICE BUTT PIDG 16-14; TAPETE Part #1423162-5  
7022AC=RLY,STD,OFF,2P 120VAC,1TE Part #2-1423162-3  
7022BC=RLY,STD,OFF,2P,240VAC,TE Part #2-33461-2  
TERMINAL,SOLIS R 8 1/4TE Part #1-1423162-8  
7022AK=RLY,STD,OFF,2P,120VAC,1TE Part #ZPF00000000018082  
FDBA 50-14-12 SN-KTE Part #ZPF000000000097322  
732-8040-00 A

## Documents

### Product Drawings

[SPLICE BUTT PIDG 12-10](#)

English

### CAD Files

[3D PDF](#)

3D

[Customer View Model](#)

[ENG\\_CVM\\_CVM\\_320570\\_AB.2d\\_dxf.zip](#)



English

**Customer View Model**

[ENG\\_CVM\\_CVM\\_320570\\_AB.3d\\_igs.zip](#)

English

**Customer View Model**

[ENG\\_CVM\\_CVM\\_320570\\_AB.3d\\_stp.zip](#)

English

**3D PDF**

English

**Customer View Model**

[ENG\\_CVM\\_320570\\_U.3d\\_igs.zip](#)

English

**Customer View Model**

[ENG\\_CVM\\_320570\\_U.3d\\_stp.zip](#)

English

**Customer View Model**

[ENG\\_CVM\\_320570\\_U.2d\\_dxf.zip](#)

English

By downloading the CAD file I accept and agree to the [Terms and Conditions](#) of use.

### Datasheets & Catalog Pages

[PIDG TERMINALS & SPLICES Quick Reference Guide](#)

English

### Product Specifications

[Application Specification](#)

English

### Product Environmental Compliance

[MD\\_320570\\_032920181354\\_dmtec](#)

English

[MD\\_320570\\_032920181354\\_dmtec](#)

English

### Agency Approvals

[UL Report](#)

English

[UL Report](#)

English