



Connectors > Lighting Connectors > Plug & Socket Connectors



Connector System: **Cable-to-Board**

Number of Positions: **2**

Sealable: **No**

Connector & Contact Terminates To: **Printed Circuit Board**

Lighting Connector Style: **Receptacle**

Features

Product Type Features

Product Type	Connector
Connector System	Cable-to-Board
Sealable	No
Connector & Contact Terminates To	Printed Circuit Board
Lighting Connector Style	Receptacle

Configuration Features

Keying Arrangement	HV-3
Number of Positions	2
Contacts Preloaded	Yes

Electrical Characteristics

Operating Voltage	42 VDC
-------------------	--------

Contact Features

Contact Type	Pin
--------------	-----

Mechanical Attachment

Mounting Angle	90°
----------------	-----

Housing Features

Housing Color	White
---------------	-------



Operation/Application

Circuit Application	Power
---------------------	-------

Product Compliance

[For compliance documentation, visit the product page on TE.com>](#)

EU RoHS Directive 2011/65/EU	Compliant
EU ELV Directive 2000/53/EC	Compliant
China RoHS 2 Directive MIIT Order No 32, 2016	No Restricted Materials Above Threshold
EU REACH Regulation (EC) No. 1907/2006	Current ECHA Candidate List: JUNE 2022 (224) Candidate List Declared Against: JAN 2022 (223) SVHC > Threshold: Not Yet Reviewed
Halogen Content	Not Low Halogen - contains Br or Cl > 900 ppm.
Solder Process Capability	Not reviewed for solder process capability

Product Compliance Disclaimer

This information is provided based on reasonable inquiry of our suppliers and represents our current actual knowledge based on the information they provided. This information is subject to change. The part numbers that TE has identified as EU RoHS compliant have a maximum concentration of 0.1% by weight in homogenous materials for lead, hexavalent chromium, mercury, PBB, PBDE, DBP, BBP, DEHP, DIBP, and 0.01% for cadmium, or qualify for an exemption to these limits as defined in the Annexes of Directive 2011/65/EU (RoHS2). Finished electrical and electronic equipment products will be CE marked as required by Directive 2011/65/EU. Components may not be CE marked. Additionally, the part numbers that TE has identified as EU ELV compliant have a maximum concentration of 0.1% by weight in homogenous materials for lead, hexavalent chromium, and mercury, and 0.01% for cadmium, or qualify for an exemption to these limits as defined in the Annexes of Directive 2000/53/EC (ELV). Regarding the REACH Regulation, the information TE provides on SVHC in articles for this part number is based on the latest European Chemicals Agency (ECHA) 'Guidance on requirements for substances in articles' posted at this URL: <https://echa.europa.eu/guidance-documents/guidance-on-reach>

Compatible Parts



Also in the Series | NECTOR S



Insertion & Extraction Tools(3)



Lighting Cable Assemblies(1)

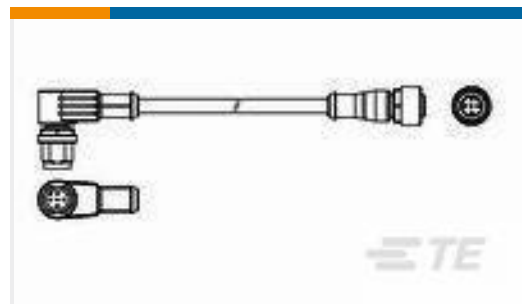


Plug & Socket Lighting Connector Accessories(57)



Plug & Socket Lighting Connectors(54)

Customers Also Bought



TE Part #2273120-4
M12 angled plug to M12 strgt socket
AA



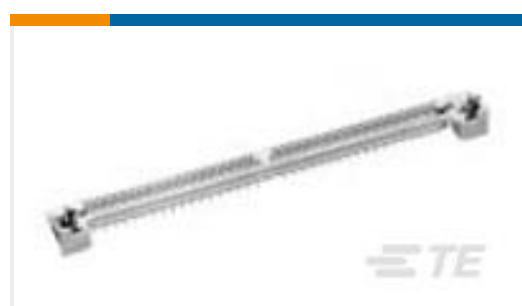
TE Part #1658043-1
MSB0.80RC-ASY040FL,-F,-TY



TE Part #3-178137-3
DYNAMIC D3100 HDR H 6P ASSY



TE Part #1735690-1
SAS RECEPT, VERTICAL, EXT HT,
PRESS-FIT



TE Part #5822134-4
80 ME .050 L/P M/L PB-FREE



TE Part #1-221629-6
TERM, BNC, 50 OHM W/GND STR



TE Part #1102919-1
HEE.10.BU.C.B1-10

Documents

Product Drawings

NECTOR S PCB CONN. ASSY. 90 DEG OUTLET

English

CAD Files

Customer View Model

[ENG_CVM_CVM_293652-2_B.2d_dxf.zip](#)

English

3D PDF

3D

Customer View Model

[ENG_CVM_CVM_293652-2_B.3d_igs.zip](#)

English

Customer View Model

[ENG_CVM_CVM_293652-2_B.3d_stp.zip](#)

English

By downloading the CAD file I accept and agree to the [Terms and Conditions](#) of use.



Datasheets & Catalog Pages

[NECTOR_S_LINE_CONNECTOR_BROCHURE](#)

English

Product Specifications

[Application Specification](#)

English

Agency Approvals

[UL Report](#)

English