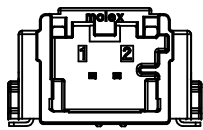
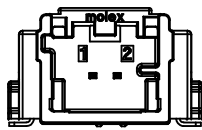


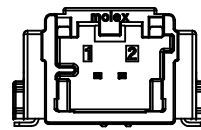
2 CKT SMT HEADER
POLARIZATION OPTION A
TIN P/N: 34912-8020
GOLD P/N: 34912-6020



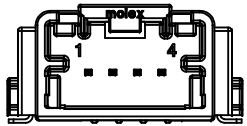
2 CKT SMT HEADER
POLARIZATION OPTION B
TIN P/N: 34912-8021
GOLD P/N: 34912-6021



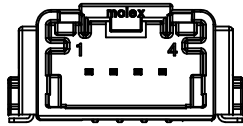
2 CKT SMT HEADER
POLARIZATION OPTION C
TIN P/N: 34912-8022
GOLD P/N: 34912-6022



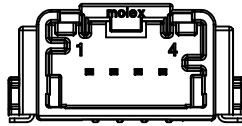
2 CKT SMT HEADER
POLARIZATION OPTION D
TIN P/N: 34912-8021
GOLD P/N: 34912-6021



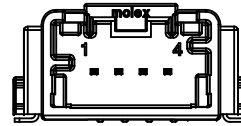
4 CKT SMT HEADER
POLARIZATION OPTION A
TIN P/N: 34912-8040
GOLD P/N: 34912-6040



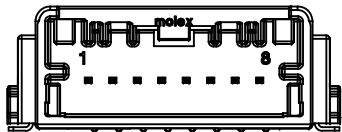
4 CKT SMT HEADER
POLARIZATION OPTION B
TIN P/N: 34912-8041
GOLD P/N: 34912-6041



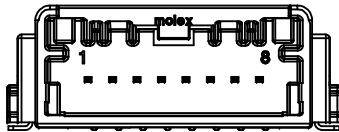
4 CKT SMT HEADER
POLARIZATION OPTION C
TIN P/N: 34912-8042
GOLD P/N: 34912-6042



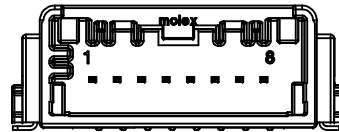
4 CKT SMT HEADER
POLARIZATION OPTION D
TIN P/N: 34912-8043
GOLD P/N: 34912-6043



8 CKT SMT HEADER
POLARIZATION OPTION A
TIN P/N: 34912-8080
GOLD P/N: 34912-6080



8 CKT SMT HEADER
POLARIZATION OPTION B
TIN P/N: 34912-8081
GOLD P/N: 34912-6081



8 CKT SMT HEADER
POLARIZATION OPTION C
TIN P/N: 34912-8082
GOLD P/N: 34912-6082

NOTES: VALID UNLESS OTHERWISE SPECIFIED

1. GENERAL:
 - a. APPLICATION SPECIFICATION SEE: AS-34791-020
 - b. PRODUCT SPECIFICATION SEE: PS-34791-020
 - c. PACKAGING SPECIFICATION PER MOLEX DRAWING: SEE CHART
 - d. SOLDERABILITY PER SMES-152
 - e. PARTS MUST BE IN COMPLIANCE TO MOLEX CHEMICAL SUBSTANCES FOR PRODUCTS AND PACKAGING SPECIFICATION: OEHS-699000-300
 - f. DATA MUST BE SUBMITTED UNDER THE MOLEX PART NUMBER TO IMDS (COMPANY ID#13255)
 - g. FLAMMABILITY REQUIREMENT: PER ISO3795 OR GM3191
 - h. VISUAL DEFECTS SHALL MEET COSMETIC STANDARD PS-45499-002 (Class B)
2. DESIGN - MATERIALS:
 - a. SHROUD (PLASTIC HOUSING): SPS 30% GF, 20% REGRIND MAX PER WEIGHT
 - b. BLADES:
 - BASE METAL: C260 BRASS
 - PLATING REQUIREMENTS:
 - TIN OVER NICKEL:
 - UNDERPLATING:
 - OVERALL NICKEL
 - OVERPLATING:
 - OVERALL TIN
 - GOLD:
 - UNDERPLATING: OVERALL NICKEL
 - OVERPLATING:
 - CONTACT AREA: GOLD
 - GRIP AREA: TIN
3. DESIGN - GEOMETRY:
 - a. THIS IS A 100% CAD GENERATED PART. THE CAD MATHEMATICAL DATA IS THE MASTER FOR THIS PART. FOR DIMENSIONAL OR ANY INFORMATION NOT SHOWN ON THIS DRAWING, ANALYZE THE CAD MODEL.
 - b. GEOMETRIC DIMENSIONS AND TOLERANCES PER ASME Y14.5M - 2009
 - c. GENERAL TOLERANCES: SEE TITLE BLOCK
 - d. EDGES AND UNDIMENSIONED DETAILS PER ISO13715
 - e. CORNERS SHOWN AS SHARP TO BE R 0.1 MAX
 - f. LETTERING SHALL BE 0.10 MAX RAISED. THIS INCLUDES RECYCLING CODE, PLANT AND CAVITY ID, VENDOR ID, AND CIRCUIT ID.
 - g. TRACEABILITY TO BE MARKED IN AREA SHOWN. MARK IS CODED AS FOLLOWS:
 - ROW 1 (XXXXX): MOLEX SINGLE ROW SMT HEADER SERIES NUMBER (34912)
 - ROW 2 (HHDDYY):
 - 1ST & 2ND DIGITS: HOUR OF ASSEMBLY (24 HOUR CLOCK)
 - (EXAMPLE: 15:00 -> '15, 7:00 -> '07)
 - 3RD THRU 5TH DIGITS: JULIAN DATE (EXAMPLE: FEBRUARY 3RD -> '034')
 - 6TH & 7TH DIGITS: LAST 2 DIGITS OF CALENDAR YEAR (EXAMPLE: 2013 -> '13)

ADDED 2 WAY EC NO: JAU2016-0722 DRAWN BY: CHYK APPR: RBALMAN 2015/11/11	QUALITY SYMBOLS ▽=0 ▽=0 ▽=0	GENERAL TOLERANCES (UNLESS SPECIFIED)		DIMENSION STYLE		SCALE	DESIGN UNITS	THIRD ANGLE PROJECTION	
				MM ONLY		5:1	METRIC		
				4 PLACES ± --- ± --- 3 PLACES ± --- ± --- 2 PLACES ± 0.10 ± --- 1 PLACE ± 0.20 ± --- 0 PLACE ± --- ± ---		DRAWN BY: MYOUNG01 DATE: 2012/05/23 CHECKED BY: _____ DATE: _____		TITLE: 2, 4, 8 CKT MINI 50 SMT ASSEMBLY SALES DRAWING	
		ANGULAR ± 1 ° DRAFT WHERE APPLICABLE MUST REMAIN WITHIN DIMENSIONS		APPROVED BY: SMARCEAU DATE: 2012/06/01		MATERIAL NO: SEE TABLE DOCUMENT NO: SD-34912-001		SHEET NO: 1 OF 5	

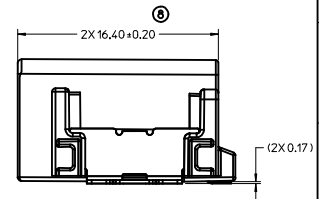
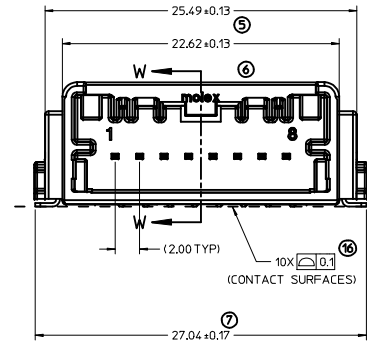
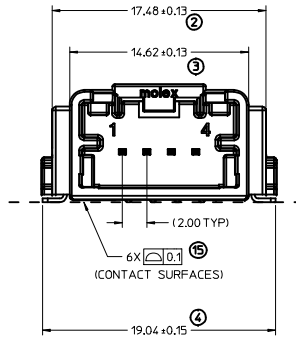
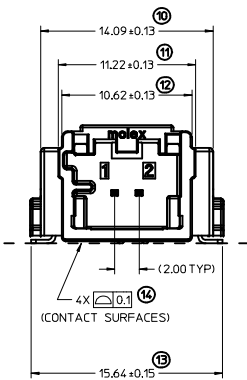
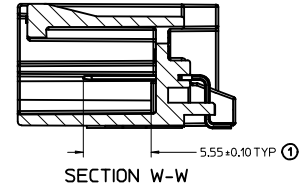
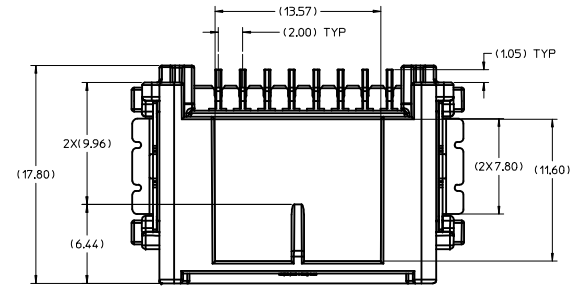
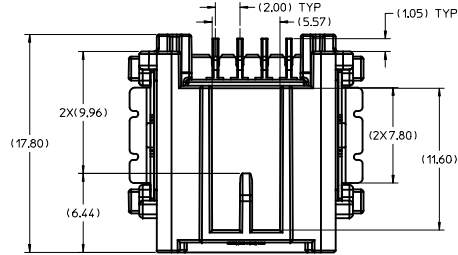
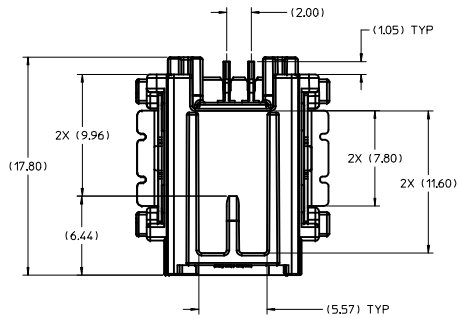
THIS DRAWING CONTAINS INFORMATION THAT IS PROPRIETARY TO MOLEX INCORPORATED AND SHOULD NOT BE USED WITHOUT WRITTEN PERMISSION

2 CKT SMT HEADER

4 CKT SMT HEADER

8 CKT SMT HEADER

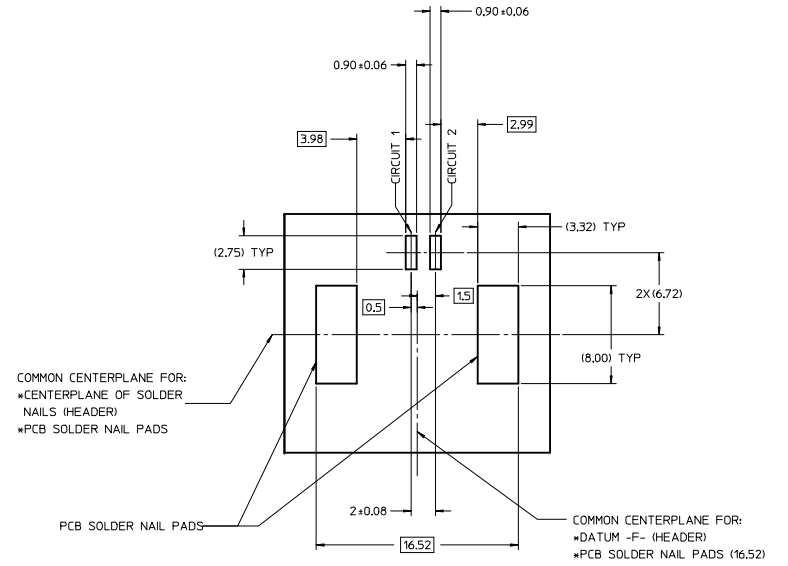
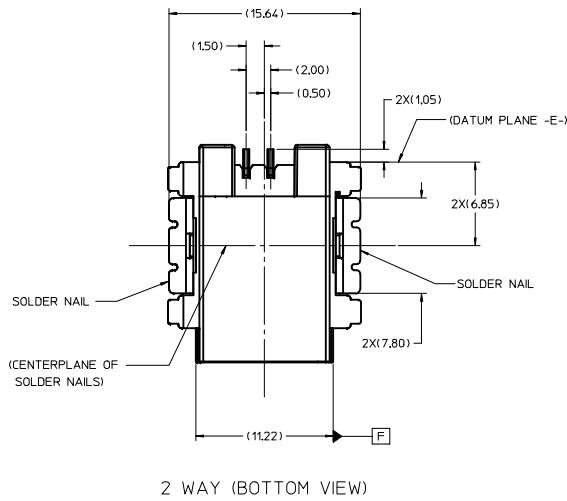
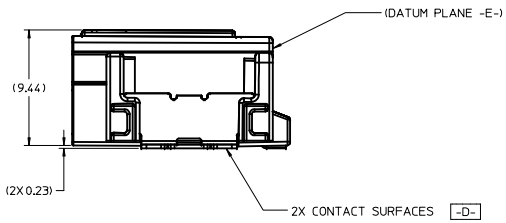
HEADER TO PCB FLUSH MOUNT



ADDED 2 WAY EC NO: UAU2016-0722 DRAWN BY: DRANKHEWITT CHKD: APPR: BRALMAN 2015/11/11	QUALITY SYMBOLS	GENERAL TOLERANCES (UNLESS SPECIFIED)	DIMENSION STYLE	SCALE	DESIGN UNITS	THIRD ANGLE PROJECTION
	▽=0	mm	MM ONLY	5:1	METRIC	☉
	▽=0	INCH				
	▽=0					
	4 PLACES ± ---		DRAWN BY	DATE	TITLE	
	3 PLACES ± ---		MYOUNG01	2012/05/23	2, 4, 8 CKT MINI 50 SMT ASSEMBLY SALES DRAWING	
	2 PLACES ± 0.10		CHECKED BY	DATE		
	1 PLACE ± 0.20		APPROVED BY	DATE		
	0 PLACE ± ---		SMARCEAU	2012/06/01		
	ANGULAR ± 1°		MATERIAL NO.	DOCUMENT NO.		
	DRAFT WHERE APPLICABLE MUST REMAIN WITHIN DIMENSIONS		SEE TABLE	SD-34912-001		
			SIZE	THIS DRAWING CONTAINS INFORMATION THAT IS PROPRIETARY TO MOLEX INCORPORATED AND SHOULD NOT BE USED WITHOUT WRITTEN PERMISSION		

RECOMMENDED PCB LAYOUT:

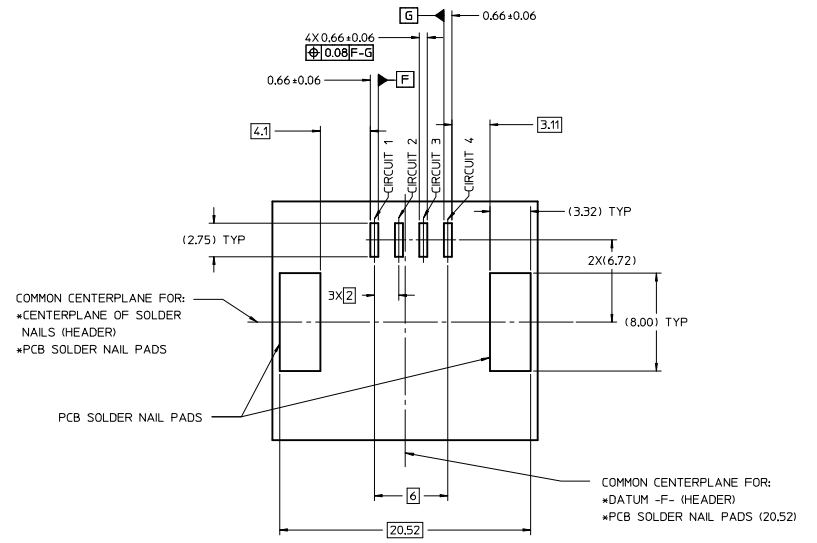
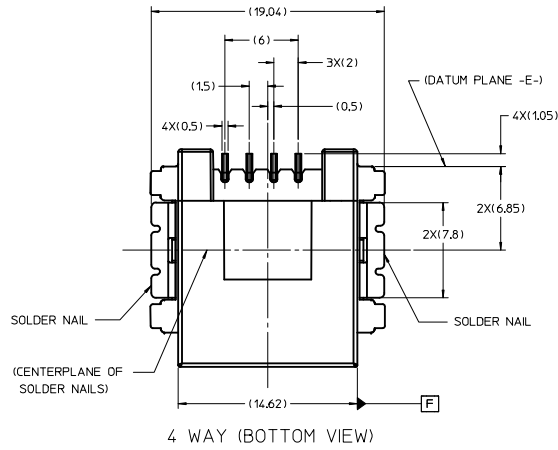
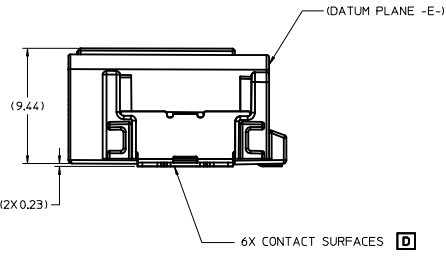
2 WAY:



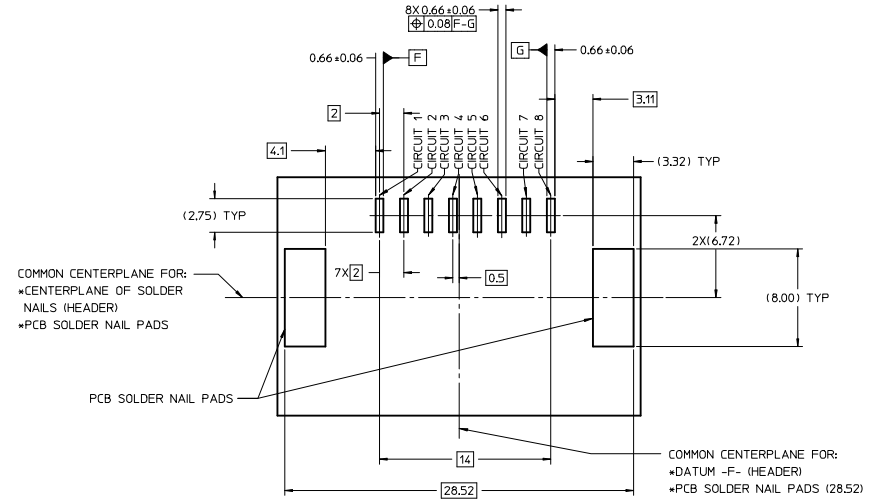
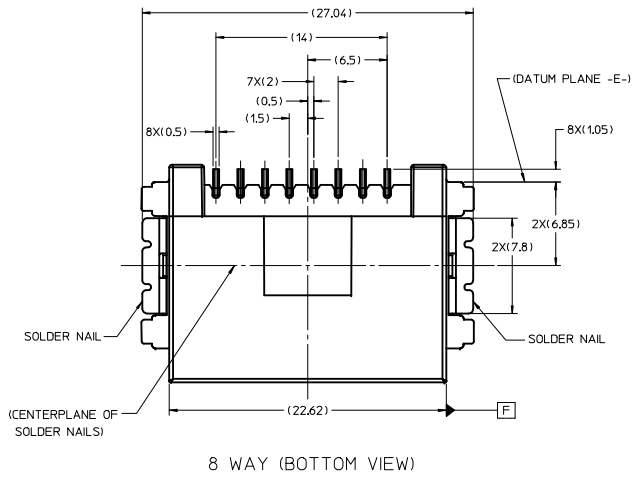
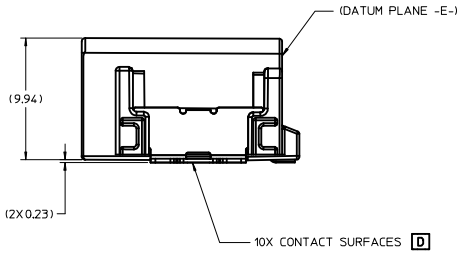
ADDED 2 WAY IEC NO: UAU2016-0722 DRAWN BY: DRINKHEWITT CHYK: APPR: BRALMAN 2015/11/11	QUALITY SYMBOLS	GENERAL TOLERANCES (UNLESS SPECIFIED)	DIMENSION STYLE	SCALE	DESIGN UNITS	THIRD ANGLE PROJECTION
	∇=0 ∇=0 ∇=0	4 PLACES ± mm 3 PLACES ± INCH 2 PLACES ± 0.10 1 PLACE ± 0.20 0 PLACE ±	MM ONLY	5:1	METRIC	DRAWN BY: MYOUNG01 DATE: 2012/05/23 CHECKED BY: DATE: APPROVED BY: SMARCEAU DATE: 2012/06/01
	ANGULAR ± 1 ° DRAFT WHERE APPLICABLE MUST REMAIN WITHIN DIMENSIONS	MATERIAL NO: SEE TABLE	TITLE: 2, 4, 8 CKT MINI 50 SMT ASSEMBLY SALES DRAWING	DOCUMENT NO: SD-34912-001	SHEET NO: 3 OF 5	
	THIS DRAWING CONTAINS INFORMATION THAT IS PROPRIETARY TO MOLEX INCORPORATED AND SHOULD NOT BE USED WITHOUT WRITTEN PERMISSION					

RECOMMENDED PCB LAYOUT:

4 WAY:



8 WAY:



ADDED 2 WAY EC NO: UAU2016-0722 DRAWN BY: MYOUNG01 CHKD: CHYK APPR: BRALMAN REV: 2015/11/11	QUALITY SYMBOLS ▽=0 ▽=0 ▽=0	GENERAL TOLERANCES (UNLESS SPECIFIED) DIMENSION STYLE MM ONLY	DIMENSION STYLE MM ONLY	SCALE 5:1	DESIGN UNITS METRIC	THIRD ANGLE PROJECTION	
	4 PLACES ± --- ± --- 3 PLACES ± --- ± --- 2 PLACES ± 0.10 ± --- 1 PLACE ± 0.20 ± --- 0 PLACE ± --- ± ---	DRAWN BY: MYOUNG01 DATE: 2012/05/23 CHECKED BY: DATE:	APPROVED BY: SMARCEAU DATE: 2012/06/01	TITLE 2, 4, 8 CKT MINI 50 SMT ASSEMBLY SALES DRAWING	MATERIAL NO.	DOCUMENT NO. SD-34912-001	SHEET NO. 4 OF 5
	ANGULAR ± 1 ° DRAFT WHERE APPLICABLE MUST REMAIN WITHIN DIMENSIONS	SEE TABLE	THIS DRAWING CONTAINS INFORMATION THAT IS PROPRIETARY TO MOLEX INCORPORATED AND SHOULD NOT BE USED WITHOUT WRITTEN PERMISSION				
	SIZE D						

MINI 50 SMT SINGLE ROW ASSEMBLIES

GOLD:

MATERIAL NUMBER TUBE PACKAGING PK-31301-688	MATERIAL NUMBER TAPE AND REEL PACKAGING PK-31301-786	TOOLED	CONFIGURATION	CIRCUIT	POL	COLOR	BLADE PLATING	MATING COMPONENT	
								UN-BRIDGED W/O CPA TRAY	BRIDGED W/CPA TRAY
N/A	34912-6020	NO	MOLEX	2	A	BLACK	GOLD	34791-0020	34791-0120
N/A	34912-6021	NO	MOLEX	2	B	GREY	GOLD	34791-0021	34791-0121
N/A	34912-6022	NO	MOLEX	2	C	DARK GRAY	GOLD	34791-0022	34791-0122
N/A	34912-6023	NO	MOLEX	2	D	GREEN	GOLD	34791-0023	34791-0123
34912-5040	34912-6040	NO	USCAR	4	A	BLACK	GOLD	34791-0040	34791-0140
34912-5041	34912-6041	NO	USCAR	4	B	GREY	GOLD	34791-0041	34791-0141
34912-5042	34912-6042	NO	USCAR	4	C	DARK GRAY	GOLD	34791-0042	34791-0142
34912-5043	34912-6043	NO	USCAR	4	D	GREEN	GOLD	34791-0043	34791-0143
34912-5080	34912-6080	NO	USCAR	8	A	BLACK	GOLD	34791-0080	34791-0180
34912-5081	34912-6081	NO	USCAR	8	B	GREY	GOLD	34791-0081	34791-0181
34912-5082	34912-6082	NO	USCAR	8	C	DARK GRAY	GOLD	34791-0082	34791-0182

TIN:

MATERIAL NUMBER TUBE PACKAGING PK-31301-688	MATERIAL NUMBER TAPE AND REEL PACKAGING PK-31301-786	CONFIGURATION	CIRCUIT	POL	COLOR	BLADE PLATING	MATING COMPONENT	
							UN-BRIDGED W/O CPA TRAY	BRIDGED W/CPA TRAY
N/A	34912-8020	MOLEX	2	A	BLACK	TIN OVER NICKEL	34791-0020	34791-0120
N/A	34912-8021	MOLEX	2	B	GREY	TIN OVER NICKEL	34791-0021	34791-0121
N/A	34912-8022	MOLEX	2	C	DARK GRAY	TIN OVER NICKEL	34791-0022	34791-0122
N/A	34912-8023	MOLEX	2	D	GREEN	TIN OVER NICKEL	34791-0023	34791-0123
34912-9040	34912-8040	USCAR	4	A	BLACK	TIN OVER NICKEL	34791-0040	34791-0140
34912-9041	34912-8041	USCAR	4	B	GREY	TIN OVER NICKEL	34791-0041	34791-0141
34912-9042	34912-8042	USCAR	4	C	DARK GRAY	TIN OVER NICKEL	34791-0042	34791-0142
34912-9043	34912-8043	USCAR	4	D	GREEN	TIN OVER NICKEL	34791-0043	34791-0143
34912-9080	34912-8080	USCAR	8	A	BLACK	TIN OVER NICKEL	34791-0080	34791-0180
34912-9081	34912-8081	USCAR	8	B	GREY	TIN OVER NICKEL	34791-0081	34791-0181
34912-9082	34912-8082	USCAR	8	C	DARK GRAY	TIN OVER NICKEL	34791-0082	34791-0182

ADDED 2 WAY EC NO. UAU2016-0722 DRAWN BY CHKD: APPR:RBALMAN 2015/11/06 2015/11/11	QUALITY SYMBOLS	GENERAL TOLERANCES (UNLESS SPECIFIED)	DIMENSION STYLE	SCALE	DESIGN UNITS	THIRD ANGLE PROJECTION	
	$\nabla=0$ $\nabla=0$ $\nabla=0$	4 PLACES ± 3 PLACES ± 2 PLACES ±0.10 1 PLACE ±0.20 0 PLACE ±	mm INCH ± ± ± ± ± ± ± ± ± ±	MM ONLY DRAWN BY DATE MYOUNG01 2012/05/23 CHECKED BY DATE	10:1	METRIC	TITLE 2, 4, 8 CKT MINI 50 SMT ASSEMBLY SALES DRAWING
	ANGULAR ± 1° DRAFT WHERE APPLICABLE MUST REMAIN WITHIN DIMENSIONS	APPROVED BY DATE SMARCEAU 2012/06/01	MATERIAL NO. SEE CHART	DOCUMENT NO. SD-34912-001	SHEET NO. 5 OF 5		
	THIS DRAWING CONTAINS INFORMATION THAT IS PROPRIETARY TO MOLEX INCORPORATED AND SHOULD NOT BE USED WITHOUT WRITTEN PERMISSION						