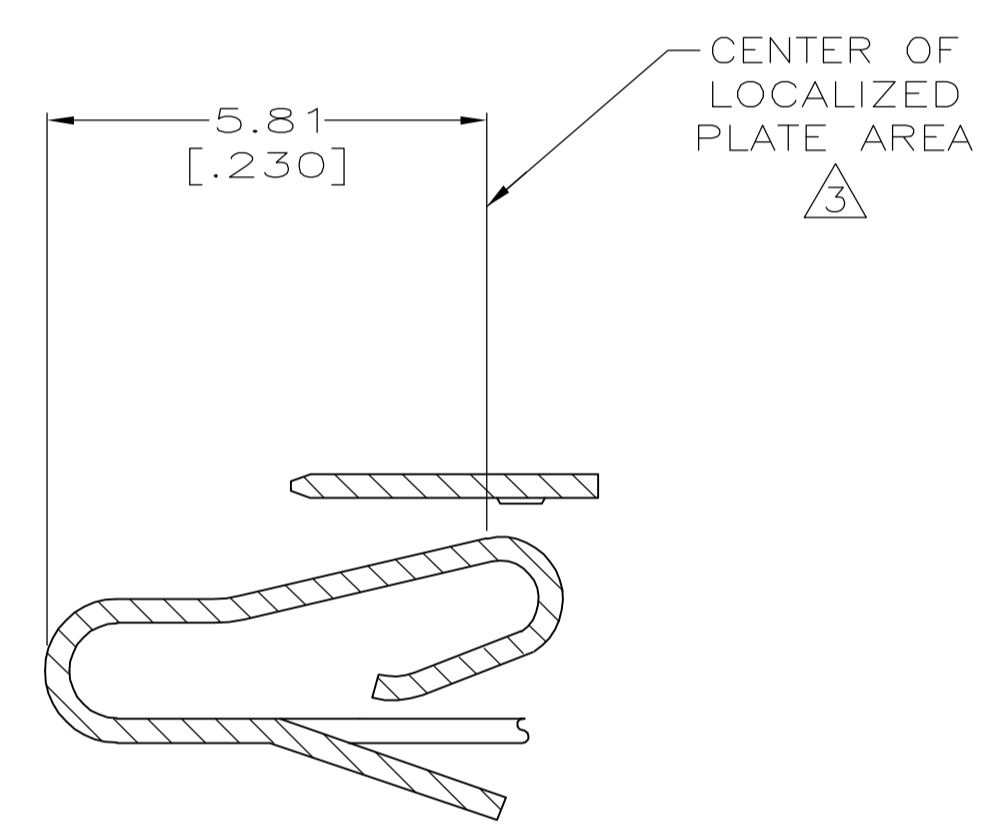
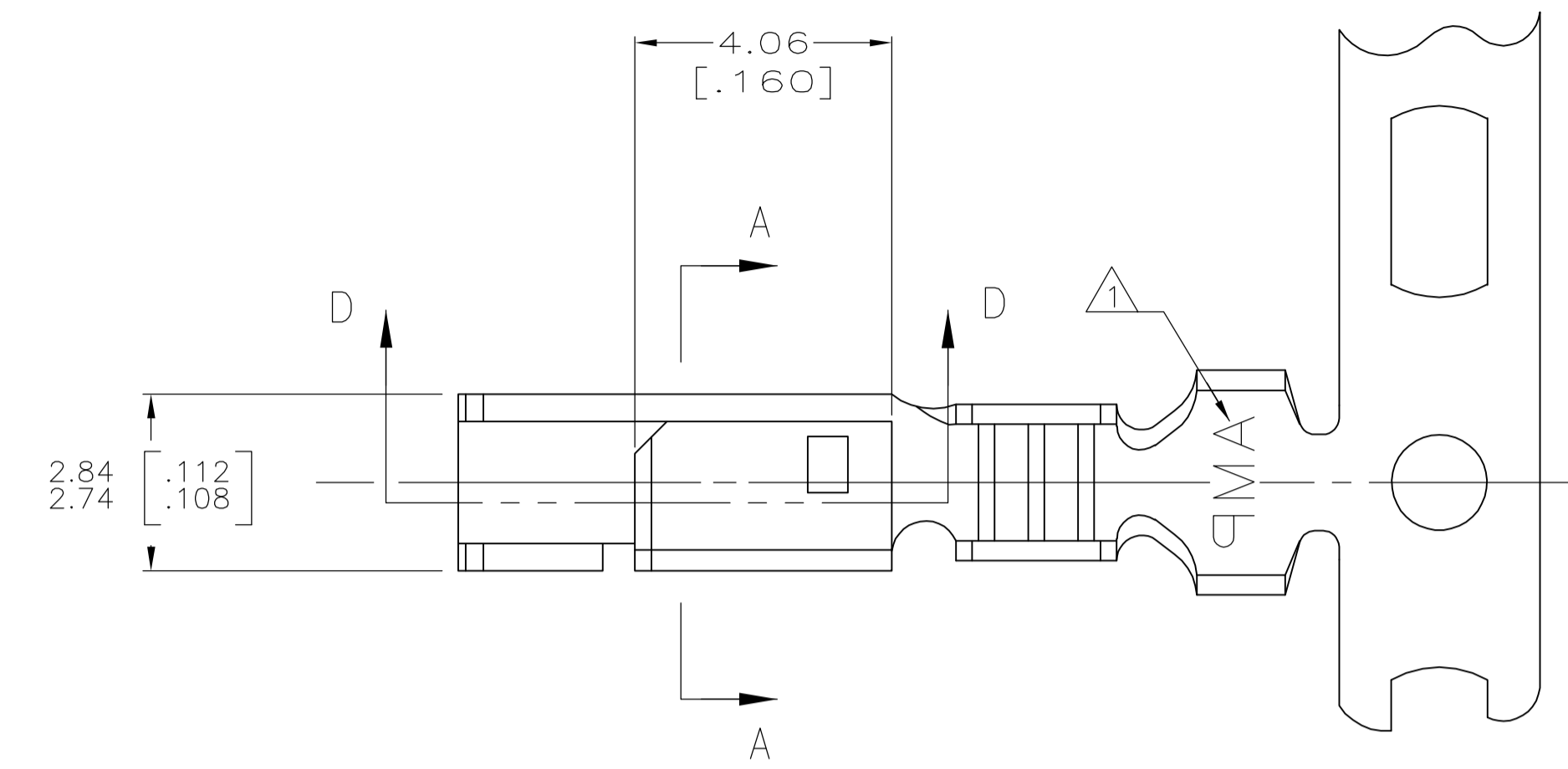
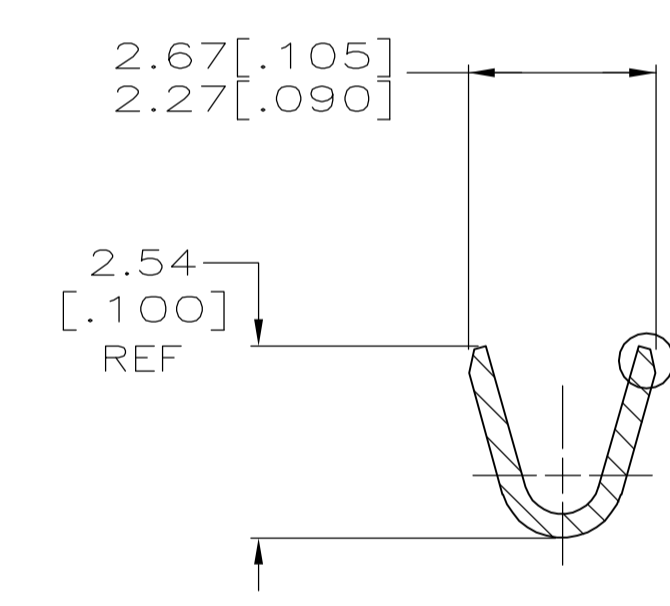
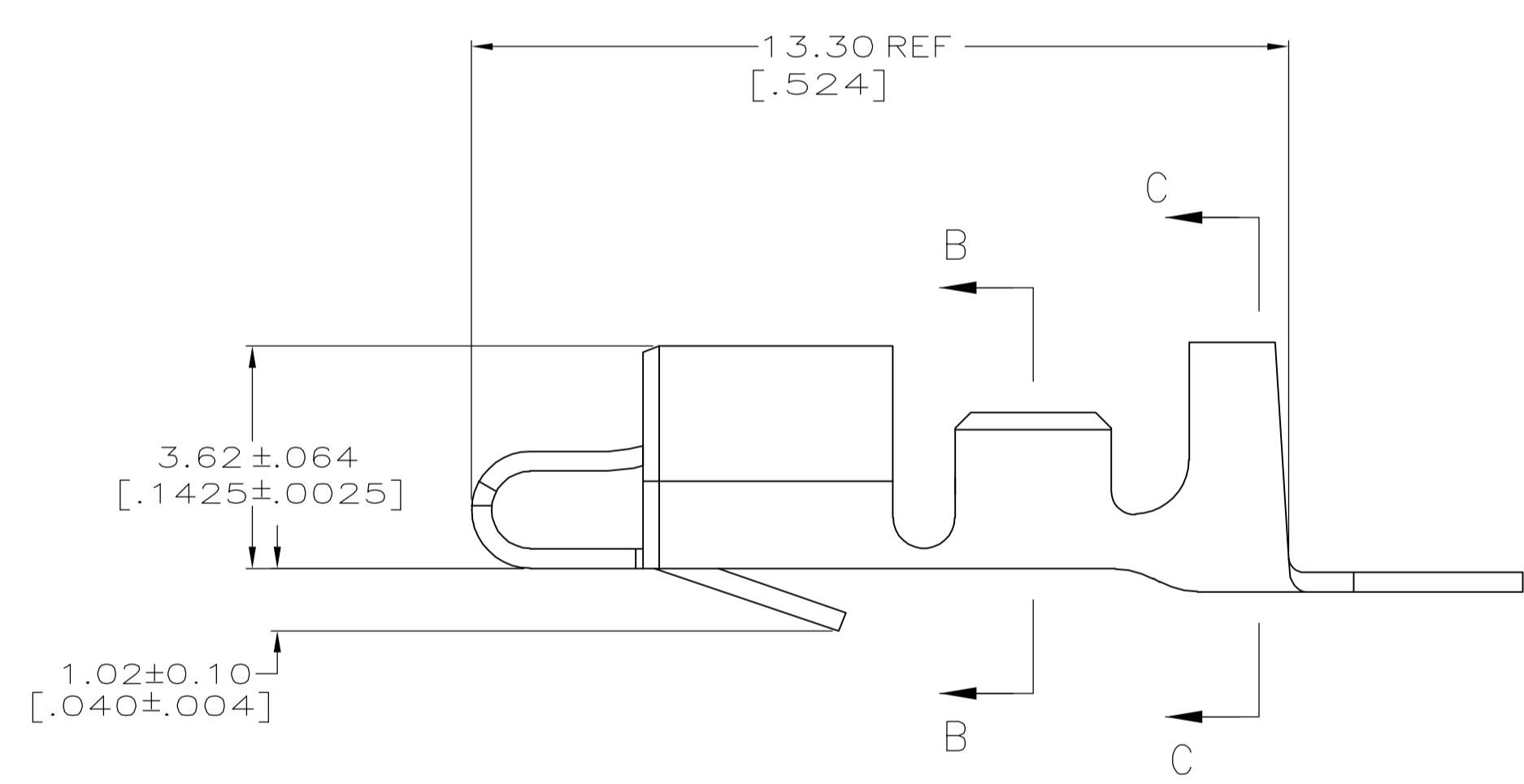


LOC	DIST	REVISIONS				
CM	0	REV	DESCRIPTION	DATE	DWN	APVD
C			REVISED PER 063B-1213-04	9/9/05	SS	JE

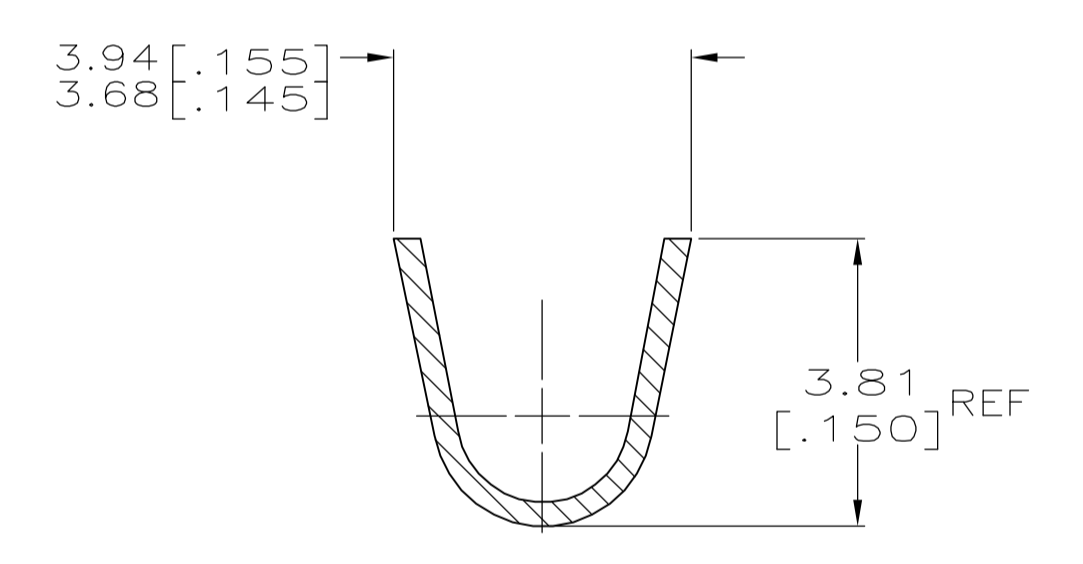
- INSULATION RANGE: 1.78-2.84 [.070-.112]
 WIRE RANGE: 0.2-0.9 mm² (24-18) AWG.
- 0.00203 [.000080] MIN BRIGHT TIN-LEAD OVER
 0.00127 [.000050] MIN NICKEL.
- 0.00076 [.000030] MIN THICK GOLD STRIPES IN
 LOCALIZED PLATE AREA ON BEAM AND DIMPLE OVER
 0.00127 [.000050] MIN THICK NICKEL OVER ENTIRE
 CONTACT.
- DIMENSIONS IN BRACKETS ARE IN INCHES.
- FOR USE ONLY WITH LID STYLE HOUSING.
- 0.00203 [.000080] MIN BRIGHT TIN OVER
 0.00127 [.000050] MIN NICKEL.



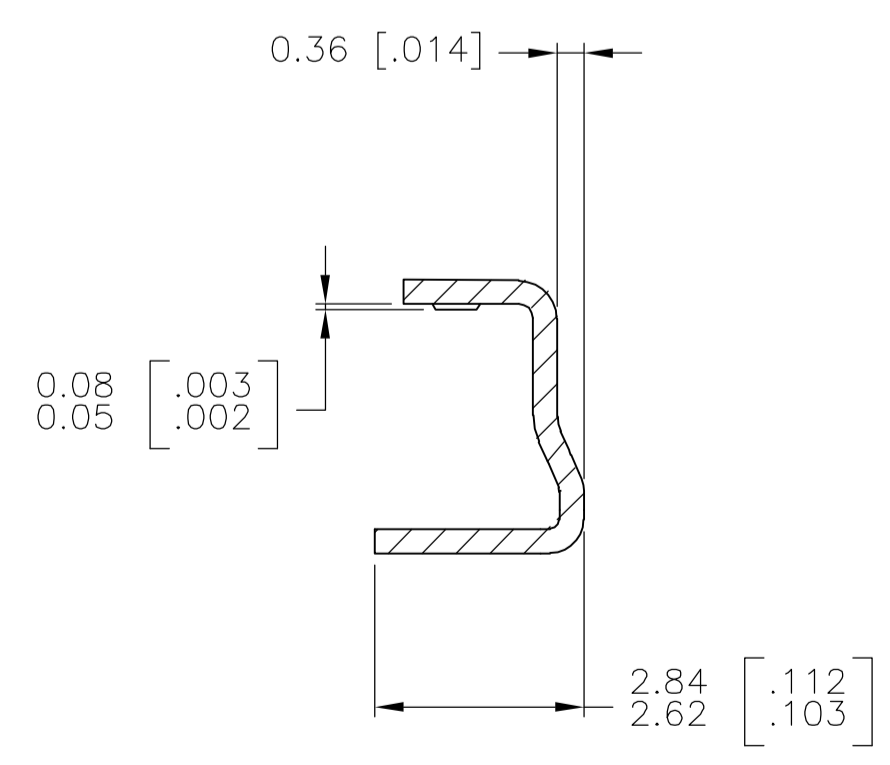
SECTION D-D



SECTION B-B

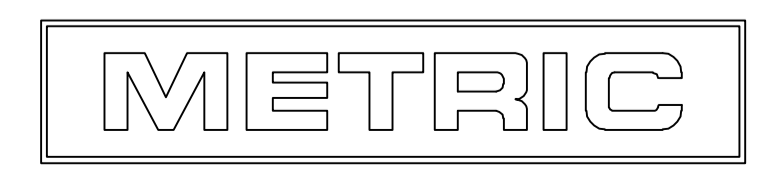


SECTION C-C



SECTION A-A
 ROTATED 90° CCW

FINISH	PRE-PLATE	MATERIAL	PART NUMBER
6	—	PHOS BRONZE	3-647406-1
—	3	PHOS BRONZE	647406-2
2	—	PHOS BRONZE	647406-1
POST PLATE	PRE-PLATE	MATERIAL	PART NUMBER



THIS DRAWING IS A CONTROLLED DOCUMENT.

DIMENSIONS: mm [INCHES]	TOLERANCES UNLESS OTHERWISE SPECIFIED: 0 PLC ± - 1 PLC ± - 2 PLC ± 0.13 [.005] 3 PLC ± - 4 PLC ± - ANGLES ± -	DWN K. WHITAKER 15OCT2004 CHK J. ELLIS 15OCT2004 APVD J. ELLIS 15OCT2004	NAME SL-156 HOODED RECEPTACLE, LARGE DIA, INSULATION TYPE
MATERIAL SEE TABLE	FINISH -	SIZE 114-1021	RESTRICTED TO
CUSTOMER DRAWING		SCALE 10:1	SHEET 1 OF 1 REV C

tyco Electronics Tyco Electronics Corporation
 Harrisburg, Pa 17105-3608