

TABLE OF CONTENTS	
SHEET NO.	SHEET DESCRIPTION
1	NOTES AND BOM
2	CONFIGURATIONS
3-4	KEY CONFIGURATIONS
5	RECEPTACLE CONNECTOR ASSEMBLY
6	BACKSHELL NOTES
7	BACKSHELL
8	BACKSHELL CONFIGURATIONS

NOTES: VALID UNLESS OTHERWISE SPECIFIED

1. GENERAL:
- a. APPLICATION SPECIFICATION SEE: AS-33472-100
- CONTAINS: PRODUCT INTRODUCTION, PRODUCT SUMMARY, CONNECTOR ASSEMBLY, PACKAGING INFORMATION, CONNECTOR MATING, SERVICE INSTRUCTIONS, ELECTRICAL CONTINUITY CHECKING, CRIMPING, AND TROUBLESHOOTING.
 - DESIGNED TO MATE WITH DEVICE OR CONNECTOR AS SPECIFIED IN THE MATING INTERFACE/CONNECTOR DRAWINGS CHART.
 - *DENOTES DRAWINGS THAT CAN BE ACCESSED AT <<http://ewcap.uscarteams.org/>>.
 - ASSEMBLY SHIPPED WITH PLR IN PRE-LOCK POSITION (SEE PLR PRE-LOCK VIEW SHEET 5).

- b. PRODUCT SPECIFICATION SEE:
- STANDARD CONFIGURATION: PS-33471-000
 - UL V0 CONFIGURATION: PS-160105-0001
 - CONTAINS: PRODUCT INTRODUCTION, PRODUCT SUMMARY, RATINGS (CURRENT, TEMPERATURE, SEALING, AND FLAMMABILITY), TERMINALS, WIRE DIAMETER RANGE, PRODUCT VALIDATION, AND PRODUCT DEVIATIONS.

- c. PACKAGING SPECIFICATION PER MOLEX DRAWING: SEE PACKAGING CHART

- d. PARTS MUST BE IN COMPLIANCE TO MOLEX CHEMICAL SUBSTANCES FOR PRODUCTS AND PACKAGING SPECIFICATION: QEHS-699000-301

- e. DATA MUST BE SUBMITTED UNDER THE MOLEX PART NUMBER TO IMDS (COMPANY ID#13255)

2. DESIGN - MATERIALS:

- a. FOR BILL OF MATERIALS SEE:
- STANDARD CONFIGURATION SD-33471-0002
 - UL V0 CONFIGURATION SD-160105-0002

3. DESIGN - GEOMETRY:

- a. THE 3-D CAD DATA IS BASIC (WITHOUT TOLERANCE) AND MASTER FOR THIS PART WITH THE EXCEPTION OF UNDERLINED DIMENSIONS. DIMENSIONAL INFORMATION NOT SHOWN ON THIS DRAWING IS DEFINED BY THE DATA FILE AT ITS LATEST REVISION.

- b. GEOMETRIC DIMENSIONS AND TOLERANCES PER ASME Y14.5M-2009

- c. EDGES AND UNDIMENSIONED DETAILS PER ISO13715

- d. CORNERS SHOWN AS SHARP TO BE R 0.2 MAX.

- e. LETTERING SHALL BE 0.15 MAX RAISED IN 0.25 MAX RECESS PAD. THIS INCLUDES RECYCLING CODE, CAVITY ID, VENDOR IDENTIFICATION, AND CUSTOMER MATERIAL NUMBER.

- f. VISUAL DEFECTS SHALL MEET COSMETIC STANDARD PS-45499-002 (Class B).

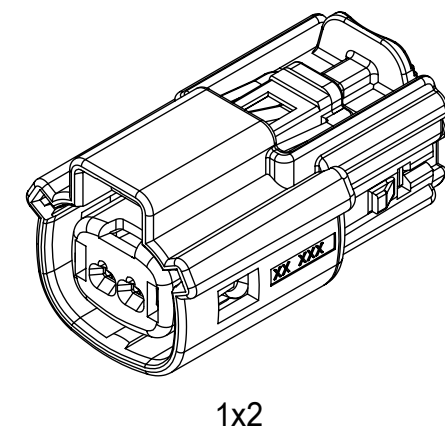
- g. LASER MARKING:

- PART NUMBER
- DAY OF THE YEAR
- SHIFT
- YEAR

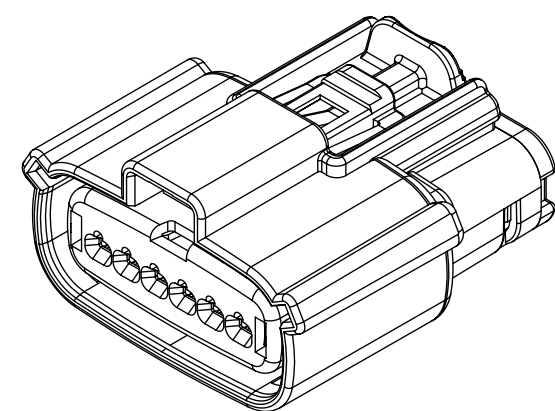
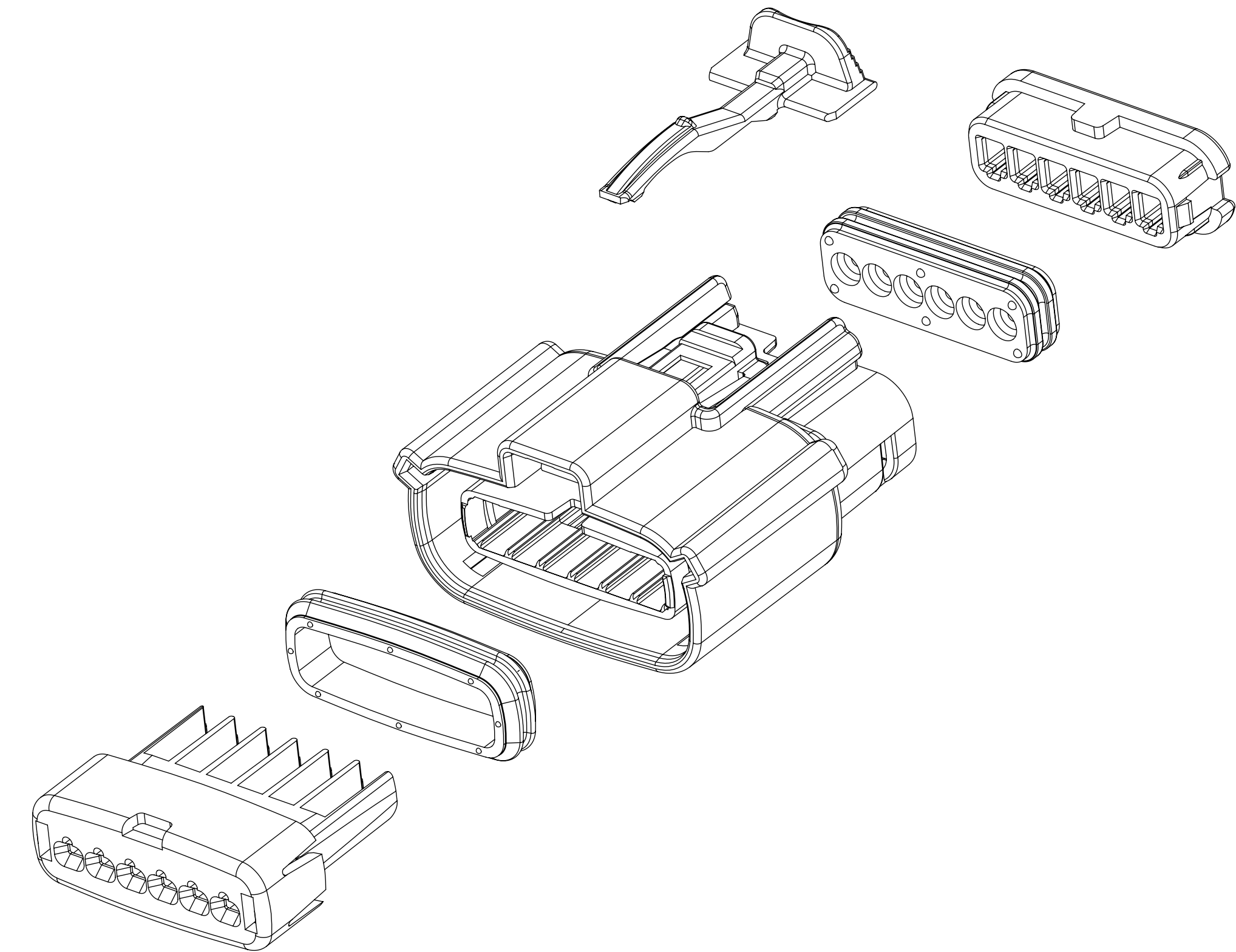
FOR ADDITIONAL INFORMATION SEE SECTION 5 UNDER PROCEDURES IN ES-34735-008.

PACKAGING	
DESCRIPTION	DRAWING NO.
1X2	PK-31300-635
1X6	PK-31300-903

MATING INTERFACE/CONNECTOR DRAWINGS		
DESCRIPTION	INTERFACE DEFINITION	MOLEX INLINE
1X2	*150-S-002-1-Z05	SD-33481-0001
1X6	*150-S-006-1-Z03	SD-33481-0001



1x2



1x6

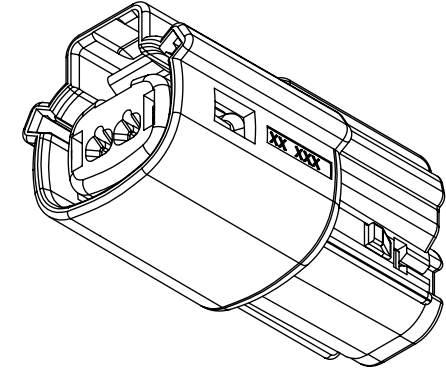
REV	REV DESCRIPTION
A1	UPDATED THE DRAWING FRAME
A	MINOR GEOMETRY CHANGE FOR UL V0
2	UPDATE VIEWSETS
1	INITIAL RELEASE

INSPECTION NUMBER LOG	
LAST NUMBER: 11	ADDED: 11
REMOVED:	

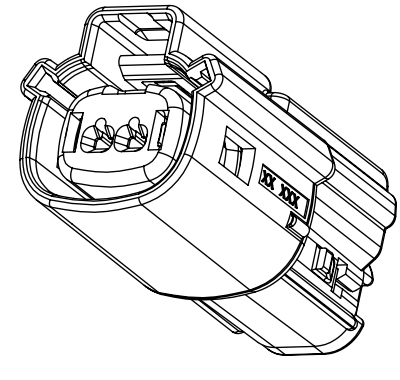
FUNCTIONAL SYMBOLS	THIS DRAWING CONTAINS INFORMATION THAT IS PROPRIETARY TO MOLEX ELECTRONIC TECHNOLOGIES, LLC AND SHOULD NOT BE USED WITHOUT WRITTEN PERMISSION		CURRENT REV DESC:		molex
	FA = 0	mm	SCALE	1.5:1	
DIVISIONAL SYMBOLS	GENERAL TOLERANCES (UNLESS SPECIFIED)		EC NO: 643941		MX150 RCPT SINGLE ROW SEALED ASSY MAT SEAL
	FC = 0	ANGULAR TOL ± 1.0°		DRWN: XLDONG03 2020/08/21	
DIVISIONAL SYMBOLS	FP = 0	4 PLACES	±	CHK'D: JDENG02 2020/08/26	PRODUCT CUSTOMER DRAWING
	3 PLACES	±	APPR: JDENG02 2020/08/26		
	2 PLACES	±	INITIAL REVISION:		
	1 PLACE	±	DRWN: APROFFITT 2015/11/04		
0 PLACES	±	APPR: KDEKOSHI 2016/06/14	SD-33471-0001		
DRAFT WHERE APPLICABLE MUST REMAIN WITHIN DIMENSIONS		THIRD ANGLE PROJECTION	DRAWING	SERIES	DOCUMENT NUMBER
			D-SIZE	33471	PSD 001 A1
					MATERIAL NUMBER
					SEE NOTE 2a
					CUSTOMER
					GENERAL MARKET
					SHEET NUMBER
					1 OF 8

SHEET DESCRIPTION

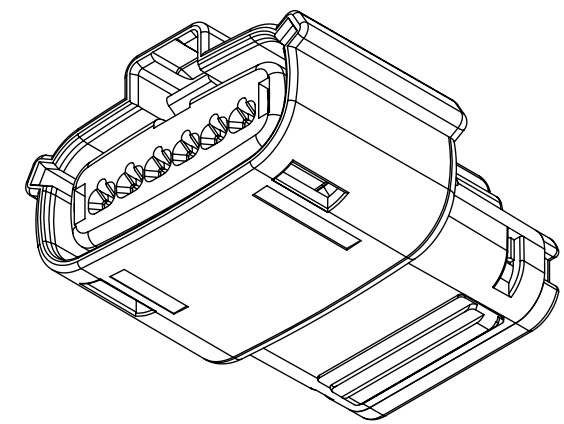
CONFIGURATIONS



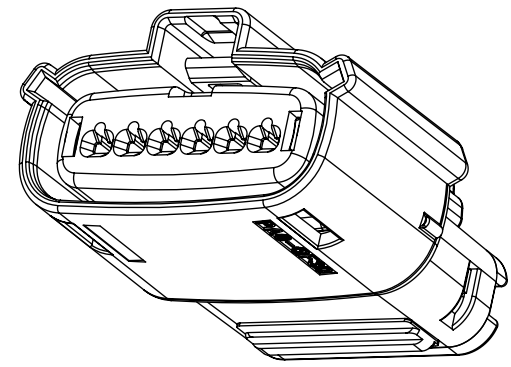
1x2 - STD



1x2 - UL V0*



1x6 - STD



1x6 - UL V0*

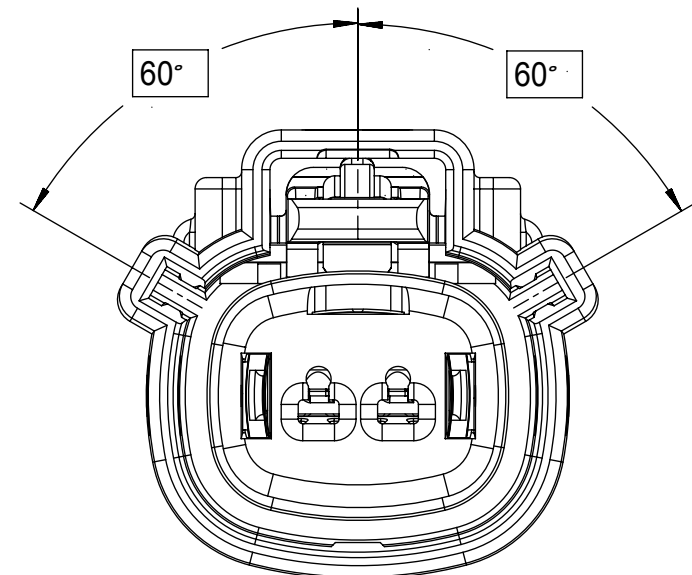
*MINOR GEOMETRY DIFFERENCE THAN STANDARD CONFIGURATION
SEE NOTES 1 & 2 FOR MORE INFORMATION

FUNCTIONAL SYMBOLS	THIS DRAWING CONTAINS INFORMATION THAT IS PROPRIETARY TO MOLEX ELECTRONIC TECHNOLOGIES, LLC AND SHOULD NOT BE USED WITHOUT WRITTEN PERMISSION		CURRENT REV DESC:					
	DIMENSION UNITS	SCALE						
$\nabla_A = 0$	mm	1.5:1	EC NO: 643941 DRWN: XLDONG03 2020/08/21 CHK'D: JDENG02 2020/08/26 APPR: JDENG02 2020/08/26		PRODUCT CUSTOMER DRAWING			
$\nabla_C = 0$	GENERAL TOLERANCES (UNLESS SPECIFIED)							
$\nabla_P = 0$	ANGULAR TOL $\pm 1.0^\circ$				DOCUMENT NUMBER: SD-33471-0001 DOC TYPE: PSD DOC PART: 001 REVISION: A1			
DIVISIONAL SYMBOLS	4 PLACES	\pm						
	3 PLACES	\pm	INITIAL REVISION: DRWN: APROFFITT 2015/11/04 APPR: KDEKOSKI 2016/06/14		MATERIAL NUMBER: SEE NOTE 2a CUSTOMER: GENERAL MARKET SHEET NUMBER: 2 OF 8			
	2 PLACES	± 0.1						
	1 PLACE	± 0.2						
	0 PLACES	\pm	DRAFT WHERE APPLICABLE MUST REMAIN WITHIN DIMENSIONS		THIRD ANGLE PROJECTION:			
			DRAWING: D-SIZE		SERIES: 33471			

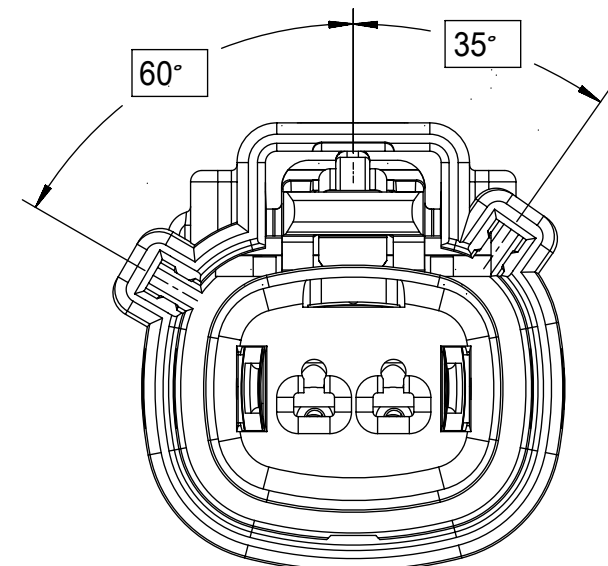
SHEET DESCRIPTION

KEY CONFIGURATIONS

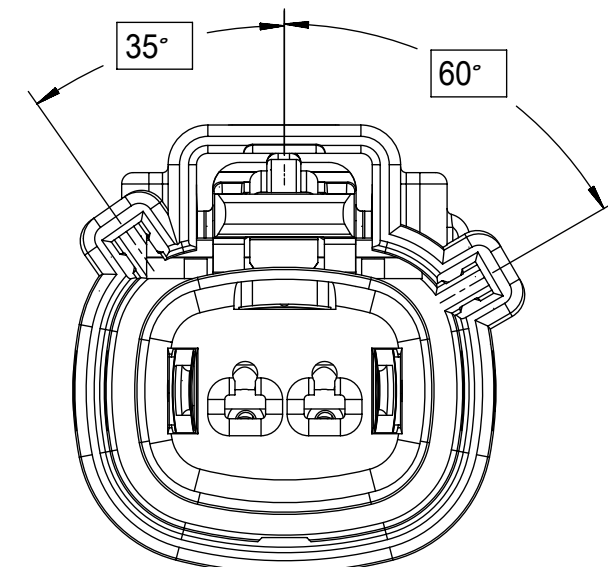
1X2



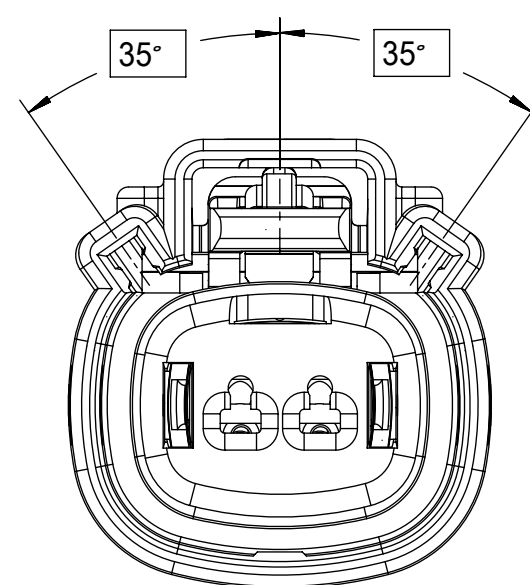
KEY A



KEY B



KEY C



KEY D

THIS DRAWING CONTAINS INFORMATION THAT IS PROPRIETARY TO MOLEX ELECTRONIC TECHNOLOGIES, LLC AND SHOULD NOT BE USED WITHOUT WRITTEN PERMISSION

FUNCTIONAL SYMBOLS	DIMENSION UNITS	SCALE
$F_A = 0$	mm	3:1
$F_C = 0$	GENERAL TOLERANCES (UNLESS SPECIFIED)	
$F_P = 0$	ANGULAR TOL $\pm 1.0^\circ$	

CURRENT REV DESC:	
EC NO: 643941	
DRWN: XLDONG03	2020/08/21
CHK'D: JDENG02	2020/08/26
APPR: JDENG02	2020/08/26



MX150 RCPT
SINGLE ROW SEALED ASSY MAT SEAL

DIVISIONAL SYMBOLS	4 PLACES	\pm
	3 PLACES	\pm
	2 PLACES	± 0.1
	1 PLACE	± 0.2
	0 PLACES	\pm

INITIAL REVISION:	
DRWN: APROFFITT	2015/11/04
APPR: KDEKOSKI	2016/06/14

PRODUCT CUSTOMER DRAWING	DOCUMENT NUMBER	DOC TYPE	DOC PART	REVISION
	SD-33471-0001	PSD	001	A1

DRAFT WHERE APPLICABLE
MUST REMAIN WITHIN DIMENSIONS

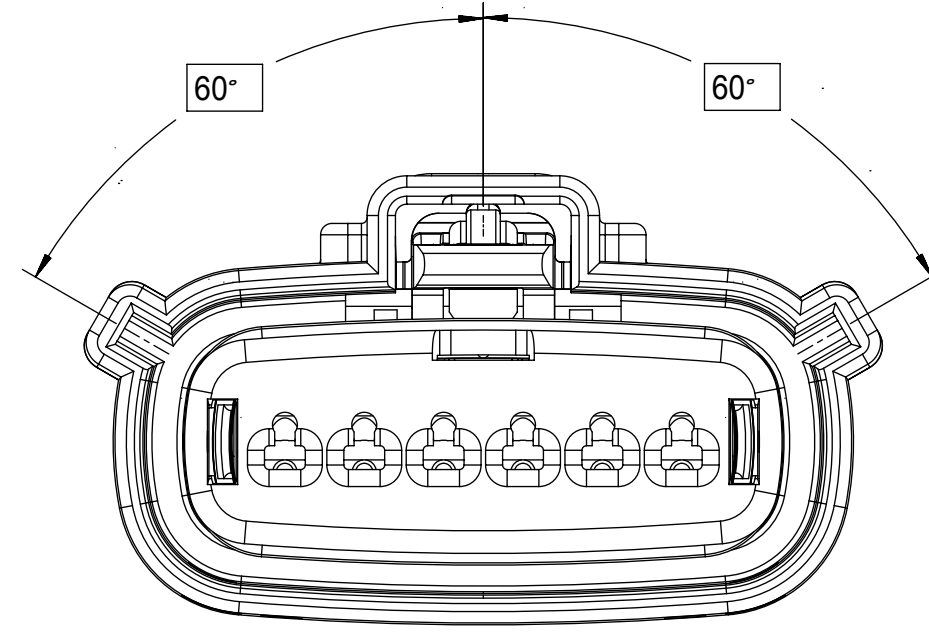
THIRD ANGLE PROJECTION	DRAWING	SERIES
	D-SIZE	33471

MATERIAL NUMBER	CUSTOMER	SHEET NUMBER
SEE NOTE 2a	GENERAL MARKET	3 OF 8

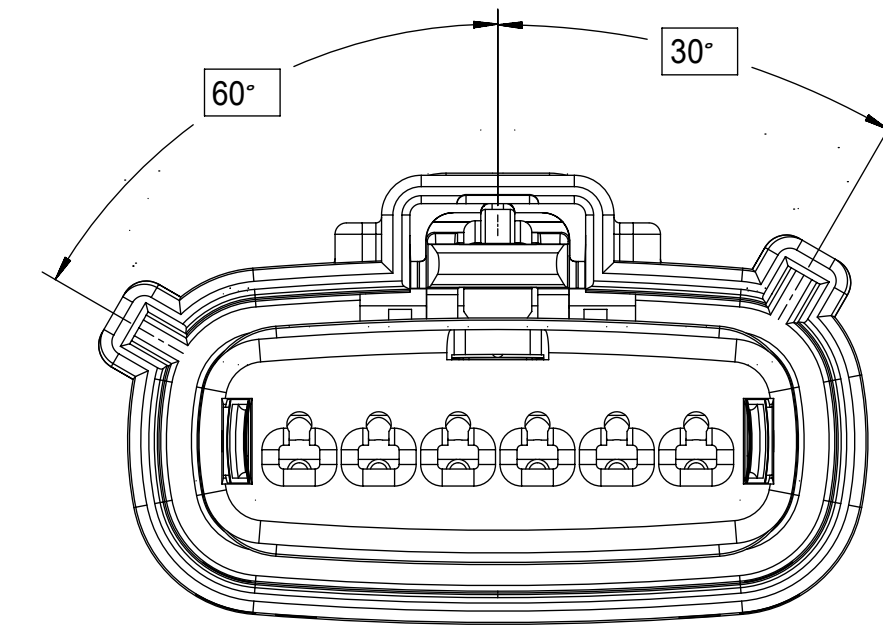
SHEET DESCRIPTION

KEY CONFIGURATIONS CONT.

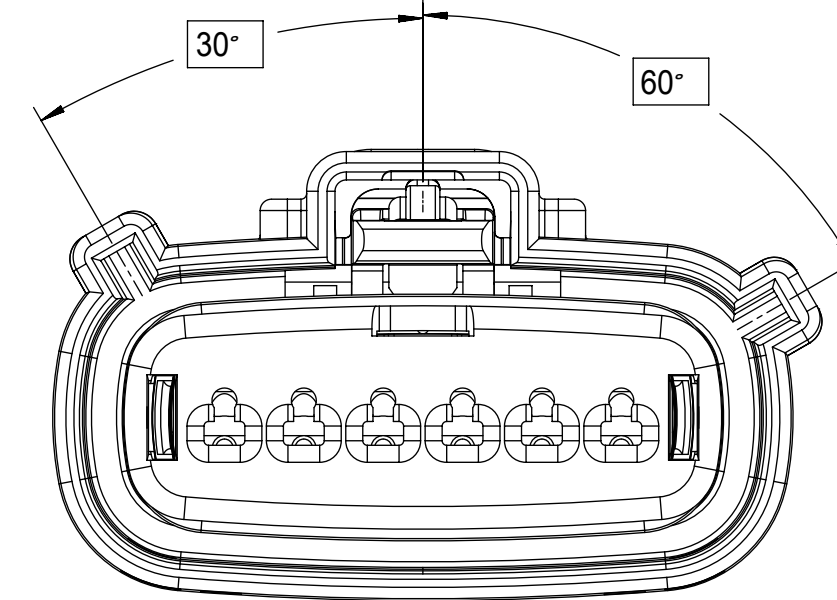
1X6



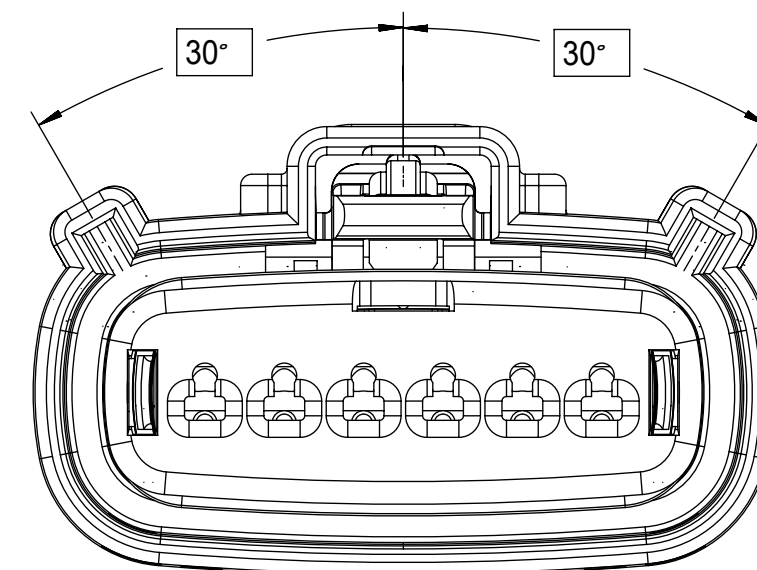
KEY A



KEY B



KEY C



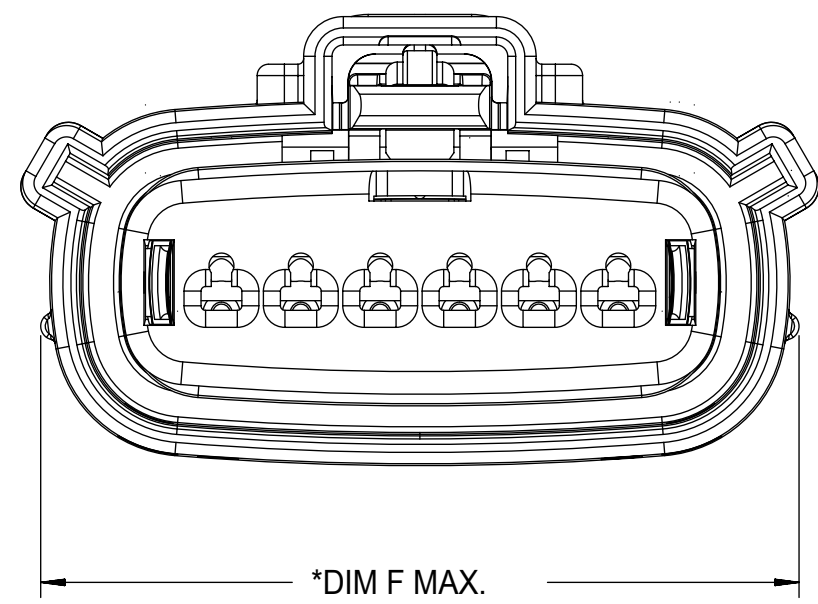
KEY D

FUNCTIONAL SYMBOLS	THIS DRAWING CONTAINS INFORMATION THAT IS PROPRIETARY TO MOLEX ELECTRONIC TECHNOLOGIES, LLC AND SHOULD NOT BE USED WITHOUT WRITTEN PERMISSION		CURRENT REV DESC:						
	DIMENSION UNITS	SCALE							EC NO: 643941 DRWN: XLDONG03 2020/08/21 CHK'D: JDENG02 2020/08/26 APPR: JDENG02 2020/08/26
$F_A = 0$	mm	3:1	INITIAL REVISION: DRWN: APROFFITT 2015/11/04 APPR: KDEKOSKI 2016/06/14		PRODUCT CUSTOMER DRAWING				
$F_C = 0$	GENERAL TOLERANCES (UNLESS SPECIFIED)				DOCUMENT NUMBER		DOC TYPE	DOC PART	REVISION
$F_P = 0$	ANGULAR TOL $\pm 1.0^\circ$				SD-33471-0001		PSD	001	A1
DIVISIONAL SYMBOLS	4 PLACES	\pm			MATERIAL NUMBER		CUSTOMER		
	3 PLACES	\pm			SEE NOTE 2a		GENERAL MARKET		
	2 PLACES	± 0.1	SERIES		SHEET NUMBER				
	1 PLACE	± 0.2	D-SIZE		4 OF 8				
	0 PLACES	\pm	THIRD ANGLE PROJECTION						
	DRAFT WHERE APPLICABLE MUST REMAIN WITHIN DIMENSIONS		DRAWING						

SHEET DESCRIPTION

RECEPTACLE CONNECTOR ASSEMBLY - STD

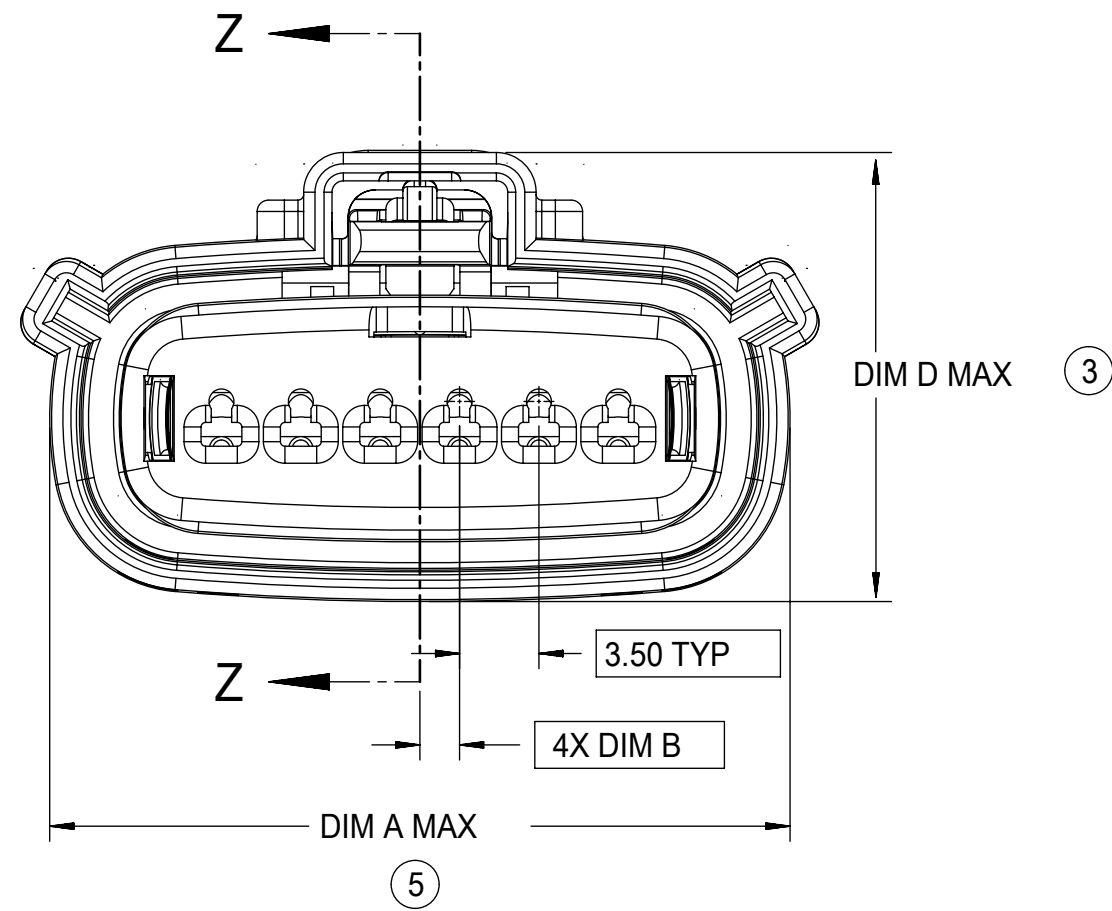
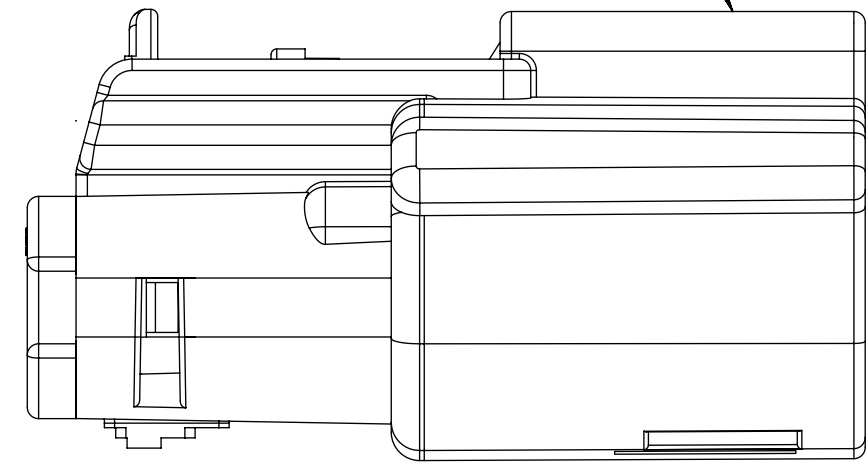
DESCRIPTION	DIMENSIONS					
	A	B	C	D	E	F
1X2	19.40	1.75	21.73	20.55	37.65	19.64
1X6	32.75	1.75	35.21	19.90	37.65	N/A
1X6 UL V0	N/A	1.75	35.23	19.90	37.65	33.64



*DIM F MAX.
*APPLIE TO UL V0 CONFIGURATIONS ONLY

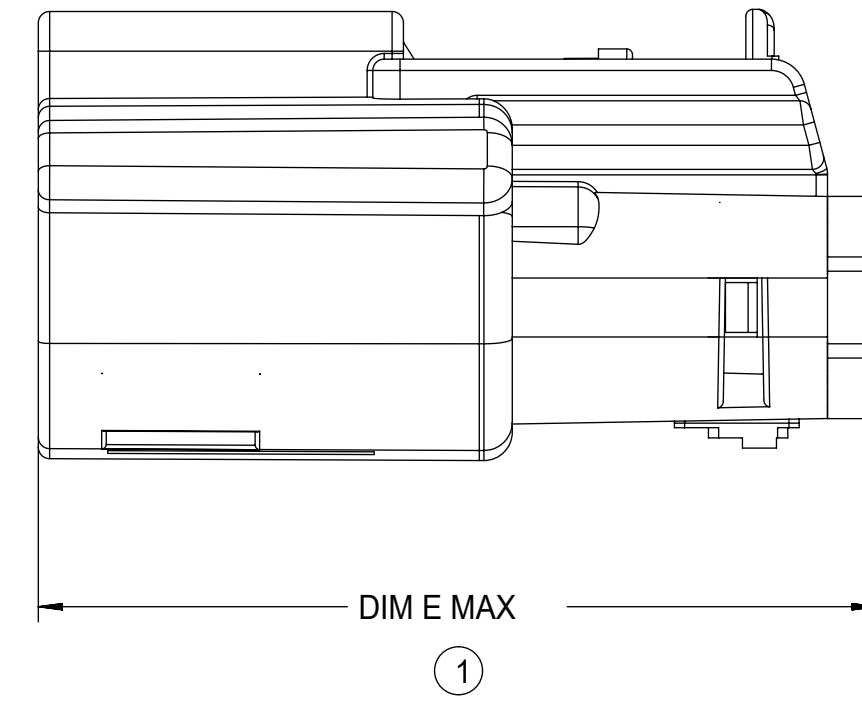
①

LASER MARKING ON THIS SURFACE
SEE NOTE 3g.



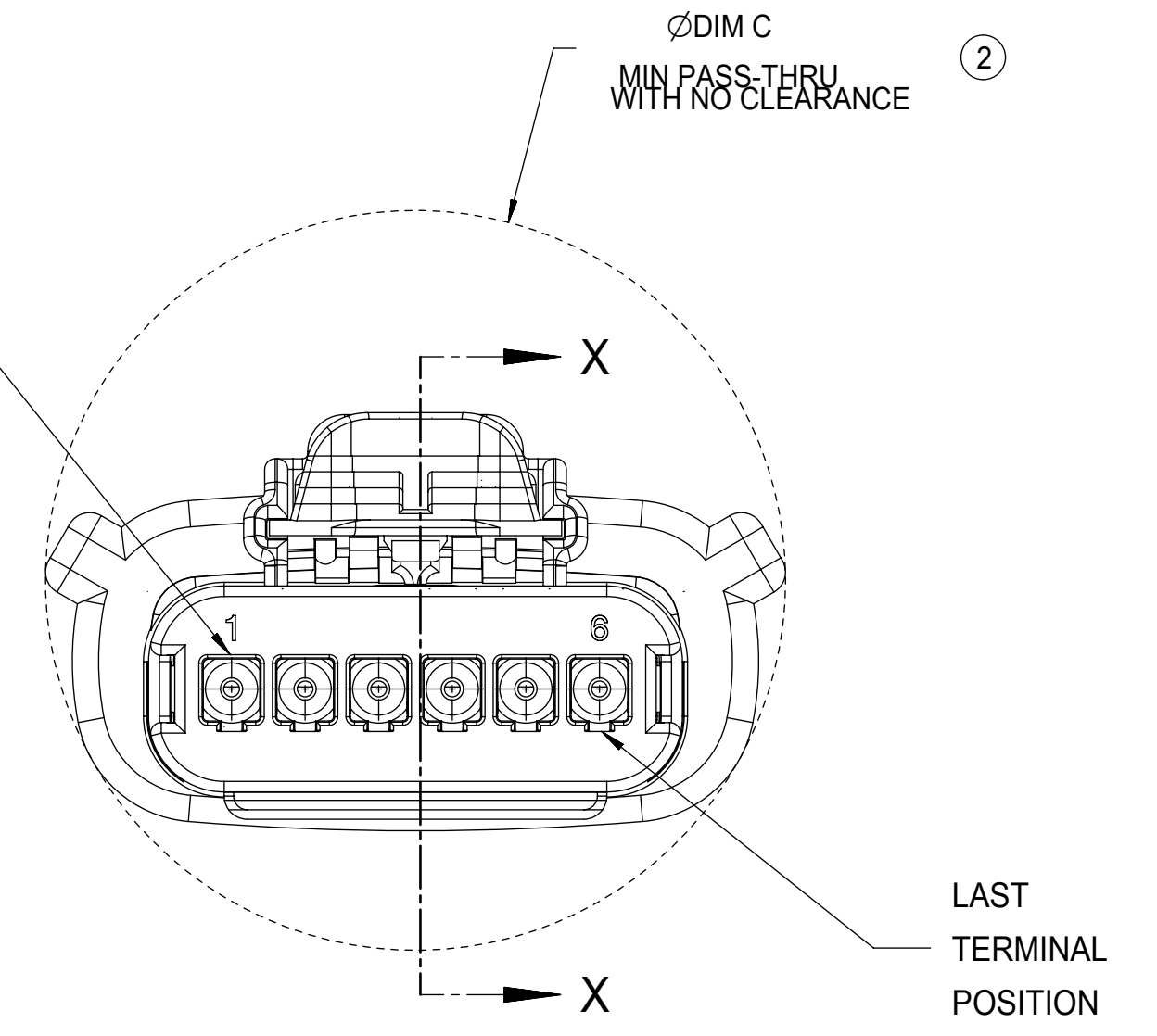
DIM D MAX ③

⑤



DIM E MAX ①

TERMINAL
POSITION 1

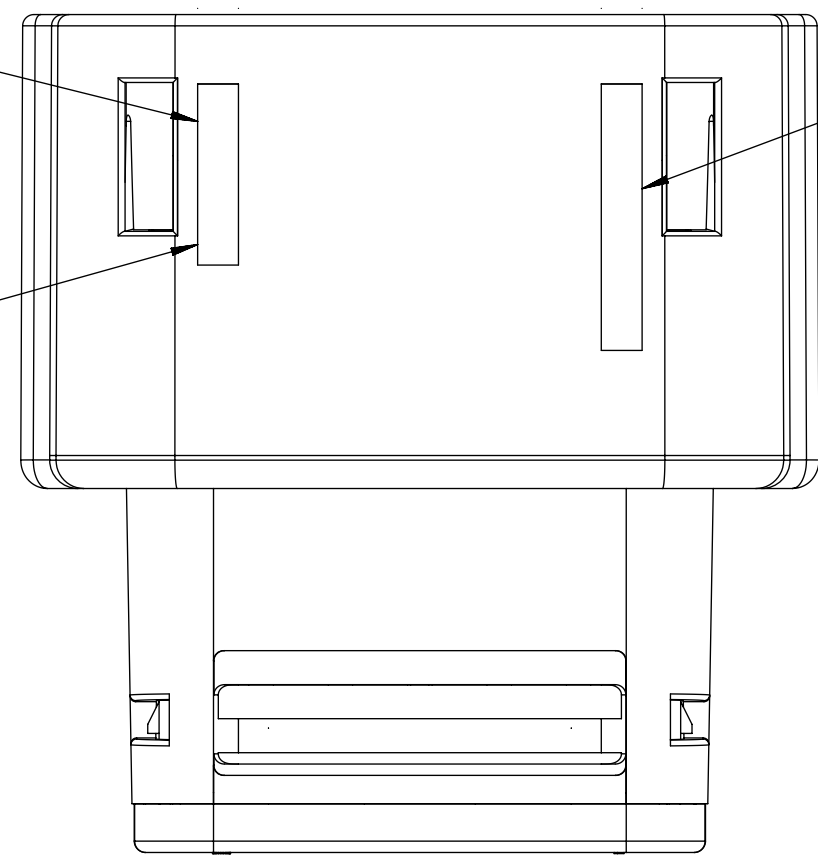


REAR VIEW
(WIRE HARNESS SIDE)

MOLD CAVITY I.D.
THIS LOCATION

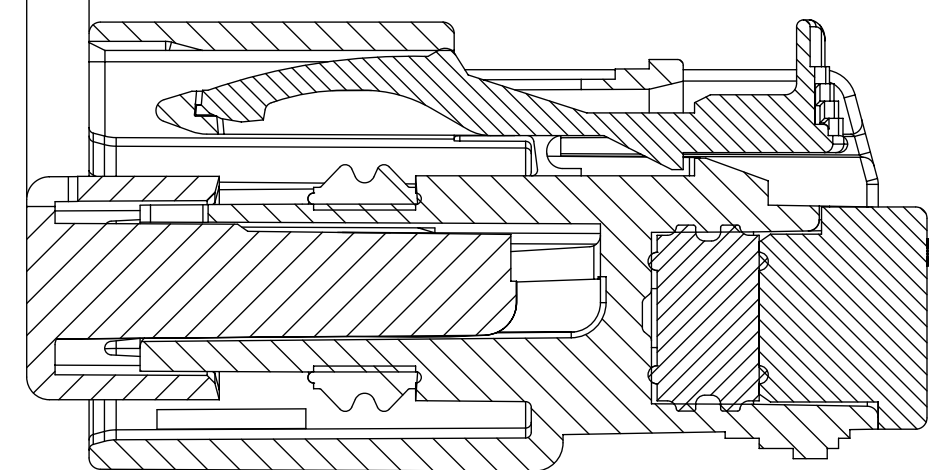
RECYCLE CODE
THIS LOCATION

MANUFACTURING LOCATION
CODE THIS LOCATION



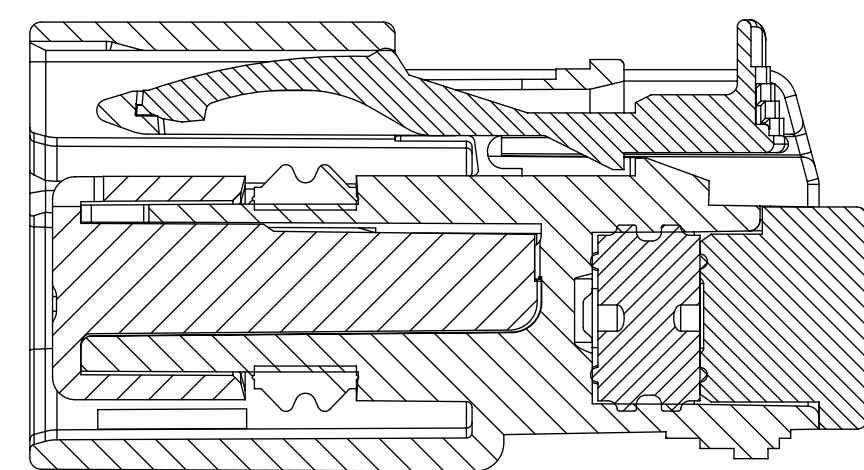
2.75±0.50

⑥



PRIMARY LOCK REINFORCEMENT (PLR) SHOWN
IN PRE-STAGED POSITION

SECTION Z-Z



PRIMARY LOCK REINFORCEMENT (PLR) SHOWN
IN FINAL-LOCK POSITION

SECTION X-X

FUNCTIONAL SYMBOLS	THIS DRAWING CONTAINS INFORMATION THAT IS PROPRIETARY TO MOLEX ELECTRONIC TECHNOLOGIES, LLC AND SHOULD NOT BE USED WITHOUT WRITTEN PERMISSION		CURRENT REV DESC:			
	FA = 0	mm	SCALE 3:1			
DIVISIONAL SYMBOLS	GENERAL TOLERANCES (UNLESS SPECIFIED)		EC NO: 643941		MX150 RCPT SINGLE ROW SEALED ASSY MAT SEAL PRODUCT CUSTOMER DRAWING	
	FC = 0	ANGULAR TOL ± 1.0°		DRWN: XLDONG03 2020/08/21		
DIVISIONAL SYMBOLS	4 PLACES	±	DRWN: JDENG02 2020/08/26	APPR: JDENG02 2020/08/26	DOCUMENT NUMBER SD-33471-0001	
	3 PLACES	±	DRWN: APROFFITT 2015/11/04	APPR: KDEKOSKI 2016/06/14		DOC TYPE PSD
	2 PLACES	± 0.1	INITIAL REVISION:		DOC PART 001	
	1 PLACE	± 0.2	DRWN: APROFFITT 2015/11/04		REVISION A1	
0 PLACES	±	APPR: KDEKOSKI 2016/06/14		SHEET NUMBER 5 OF 8		
DRAFT WHERE APPLICABLE MUST REMAIN WITHIN DIMENSIONS		THIRD ANGLE PROJECTION	DRAWING D-SIZE	SERIES 33471	MATERIAL NUMBER SEE NOTE 2a	CUSTOMER GENERAL MARKET

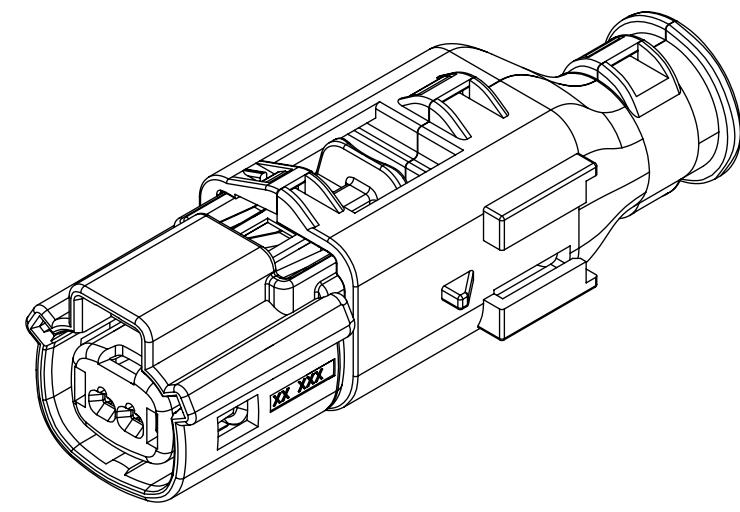
SHEET DESCRIPTION

BACKSHELL NOTES

BACKSHELL NOTES: VALID UNLESS OTHERWISE SPECIFIED

1. GENERAL:

- a. APPLICATION SPECIFICATION SEE: AS-34951-001
 - DESIGNED TO MATE WITH RECEPTACLE SEALED ASSEMBLY SPECIFIED IN MOLEX DRAWING SD-33471-0001.
 - SYSTEM TO BE USED WITH WIRE WITHIN DIAMETER RANGE OF 1.2mm TO 2.69mm.
 - COMPONENTS ARE OPTIONAL AND MUST BE PURCHASED SEPERATELY.
 - BACKSHELL DESIGN IS OWNED BY SCHLEMMER.
 - FOR ADDITIONAL INFORMATION SEE THE BACKSHELL COMPONENT DRAWING SD-34949-0001.



1X2

BACKSHELL CUSTOMER MODEL NUMBER LEGEND

34949-XXXX

CUSTOMER MODEL COMPONENTS

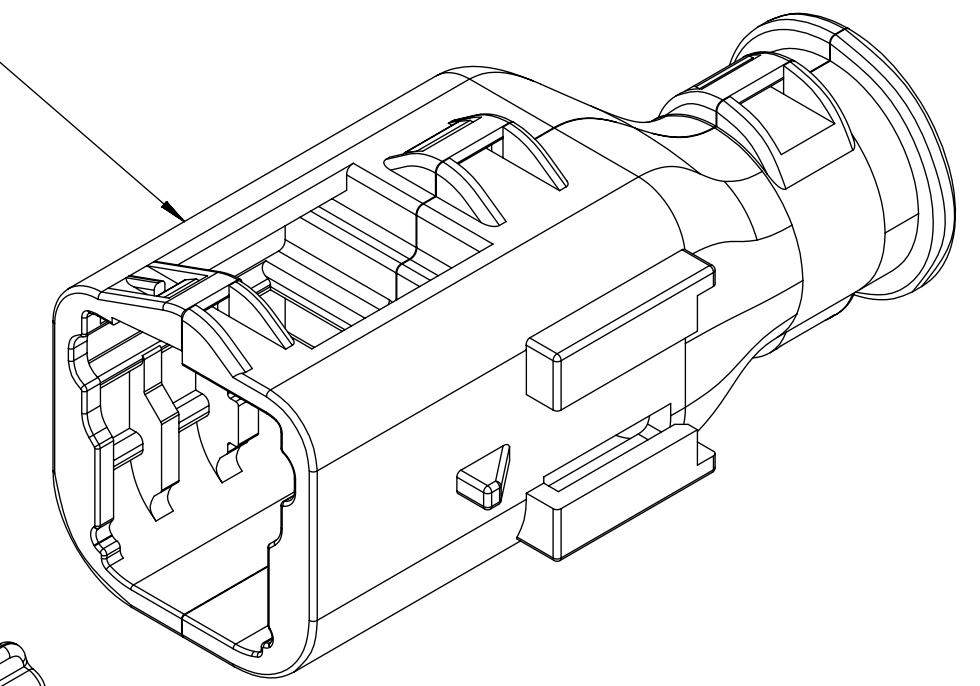
- 0 - BACKSHELL ONLY
- 1 - BACKSHELL & MX150 HOUSING KEY A ASSEMBLY
- 2 - BACKSHELL & MX150 HOUSING KEY B ASSEMBLY
- 3 - BACKSHELL & MX150 HOUSING KEY C ASSEMBLY
- 4 - BACKSHELL & MX150 HOUSING KEY D ASSEMBLY

BACKSHELL FEATURES

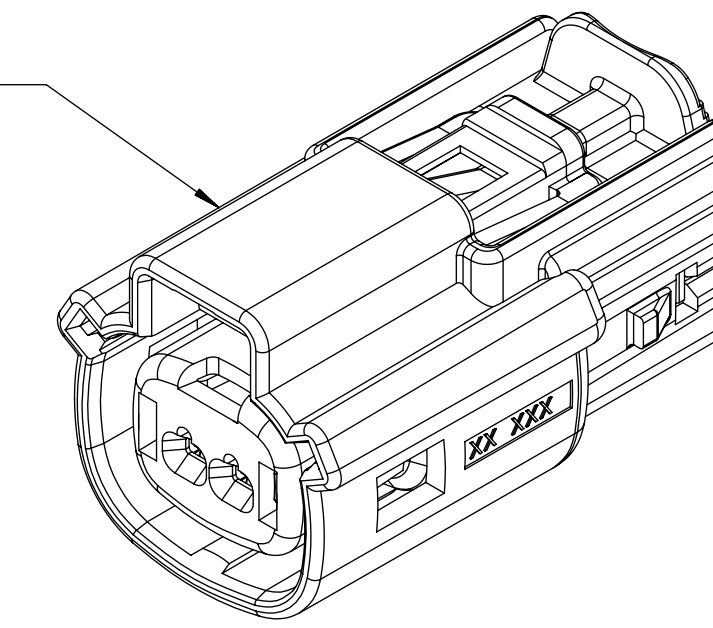
- 1 - WITH RIBS
- 2 - WITHOUT RIBS

MX150 CIRCUIT SIZE 02, 03, 04, 05, 06

BACKSHELL (BKS)



RECEPTACLE SEALED ASSEMBLY



FUNCTIONAL SYMBOLS	THIS DRAWING CONTAINS INFORMATION THAT IS PROPRIETARY TO MOLEX ELECTRONIC TECHNOLOGIES, LLC AND SHOULD NOT BE USED WITHOUT WRITTEN PERMISSION		
	DIMENSION UNITS	SCALE	CURRENT REV DESC:
$\nabla_A = 0$	mm	4:1	EC NO: 643941 DRWN: XLDONG03 2020/08/21 CHK'D: JDENG02 2020/08/26 APPR: JDENG02 2020/08/26
$\nabla_C = 0$	GENERAL TOLERANCES (UNLESS SPECIFIED)		
$\nabla_P = 0$	ANGULAR TOL	$\pm 1.0^\circ$	INITIAL REVISION: DRWN: APROFFITT 2015/11/04 APPR: KDEKOSKI 2016/06/14
DIVISIONAL SYMBOLS	4 PLACES	\pm	
	3 PLACES	\pm	DOCUMENT NUMBER SD-33471-0001 DOC TYPE PSD DOC PART 001 REVISION A1
	2 PLACES	± 0.1	
	1 PLACE	± 0.2	MATERIAL NUMBER SEE NOTE 2a CUSTOMER GENERAL MARKET SHEET NUMBER 6 OF 8
	0 PLACES	\pm	
DRAFT WHERE APPLICABLE MUST REMAIN WITHIN DIMENSIONS		THIRD ANGLE PROJECTION	DRAWING D-SIZE
			SERIES 33471

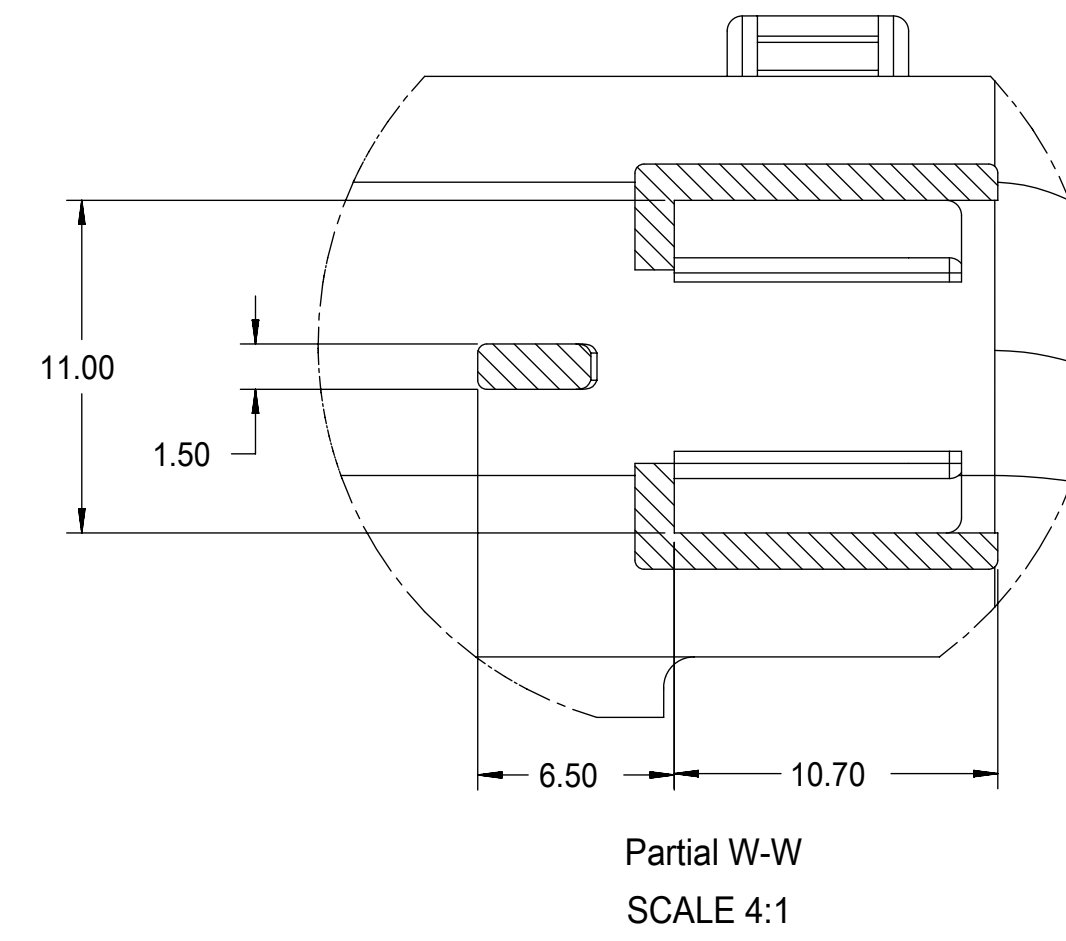
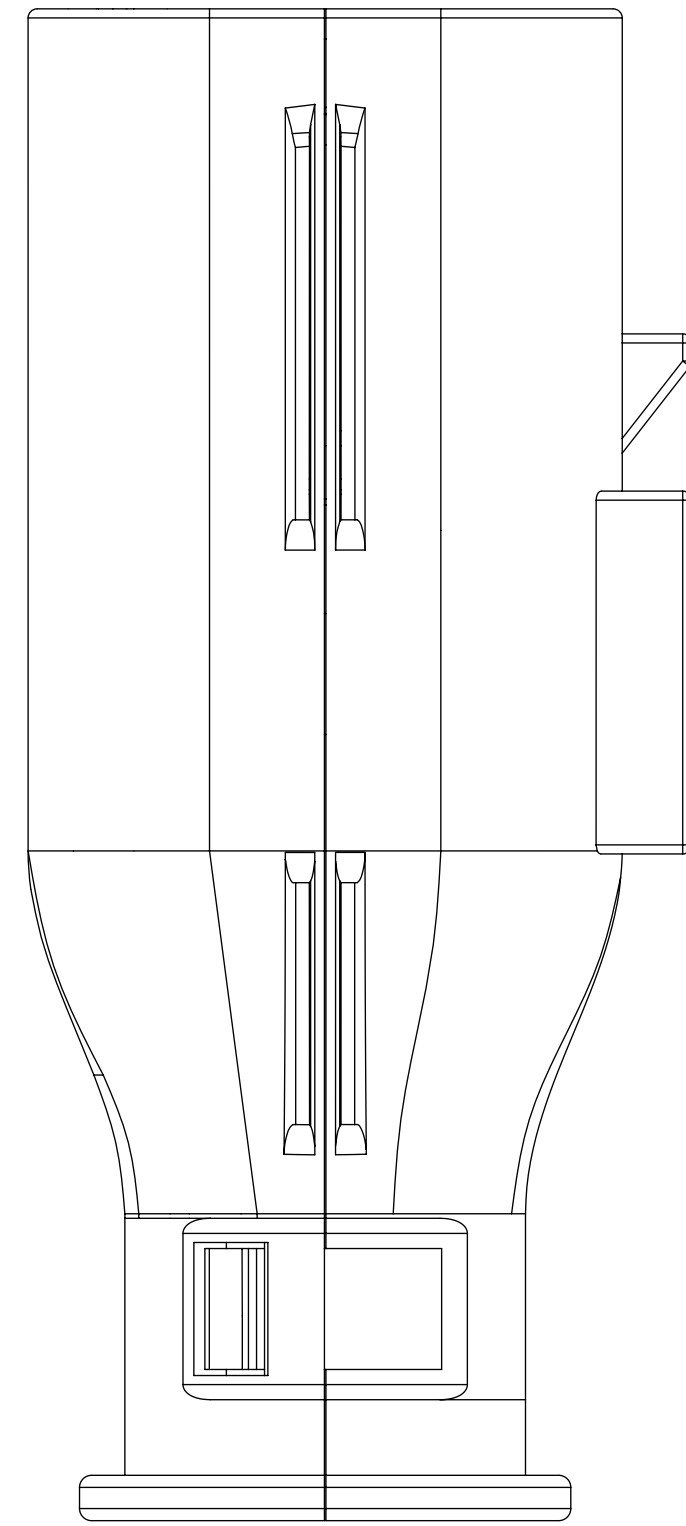
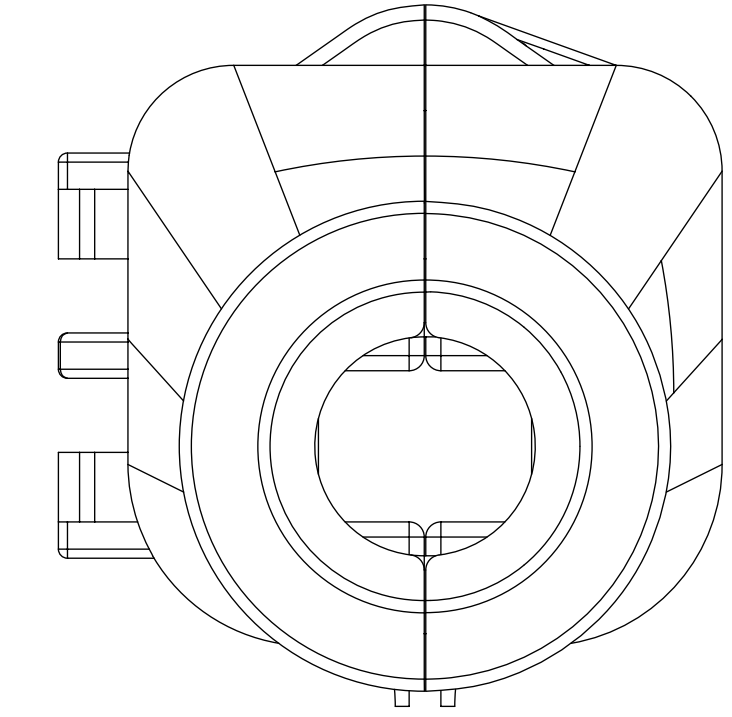
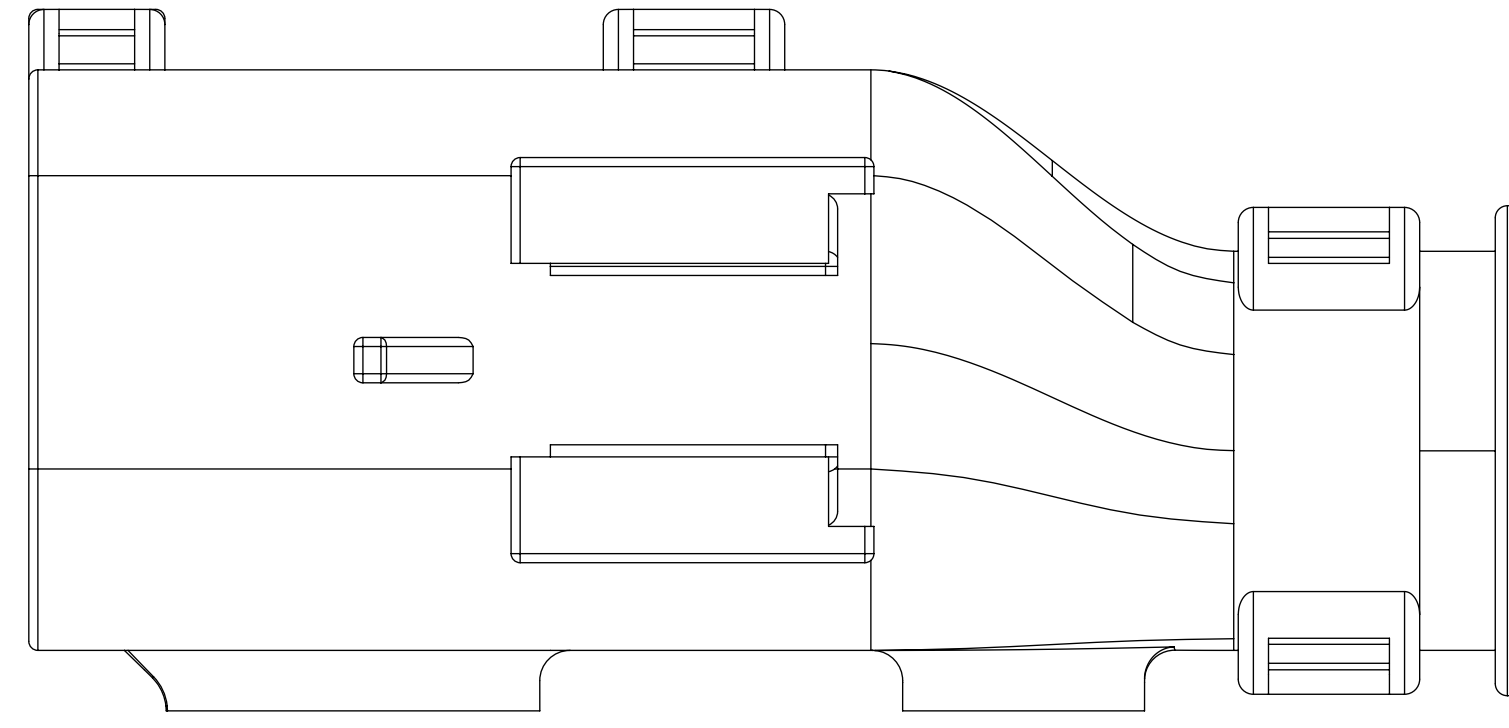
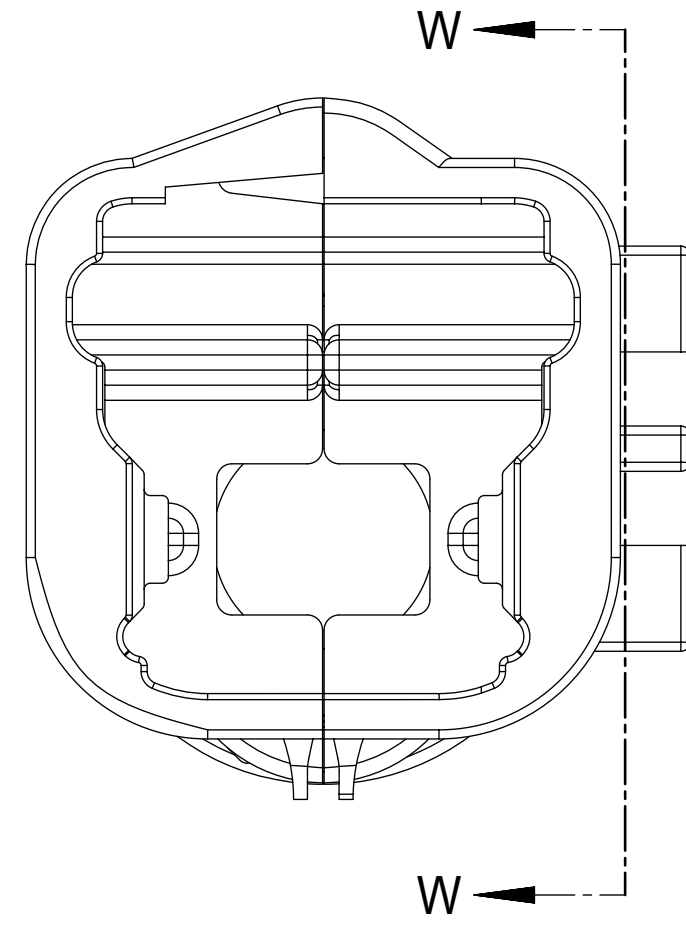
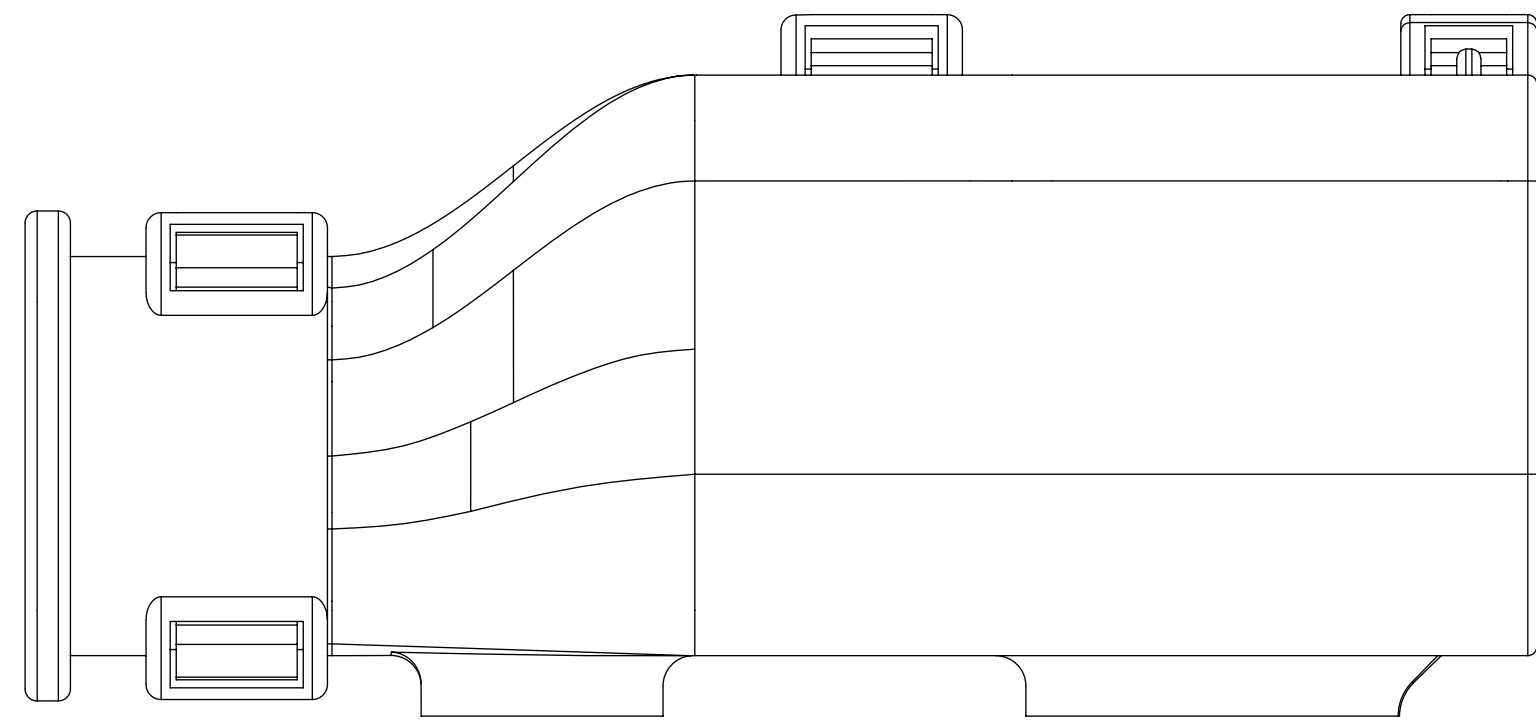
molex

MX150 RCPT
SINGLE ROW SEALED ASSY MAT SEAL

PRODUCT CUSTOMER DRAWING

SHEET DESCRIPTION

BACKSHELL



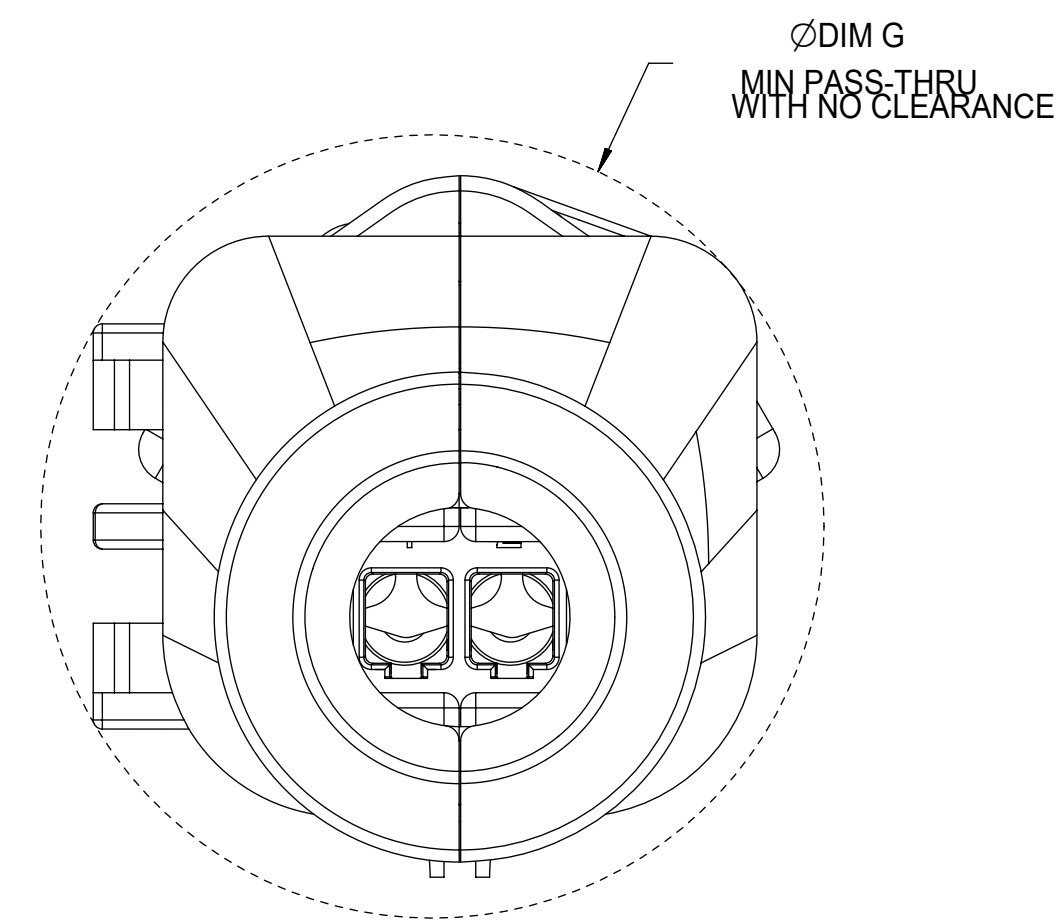
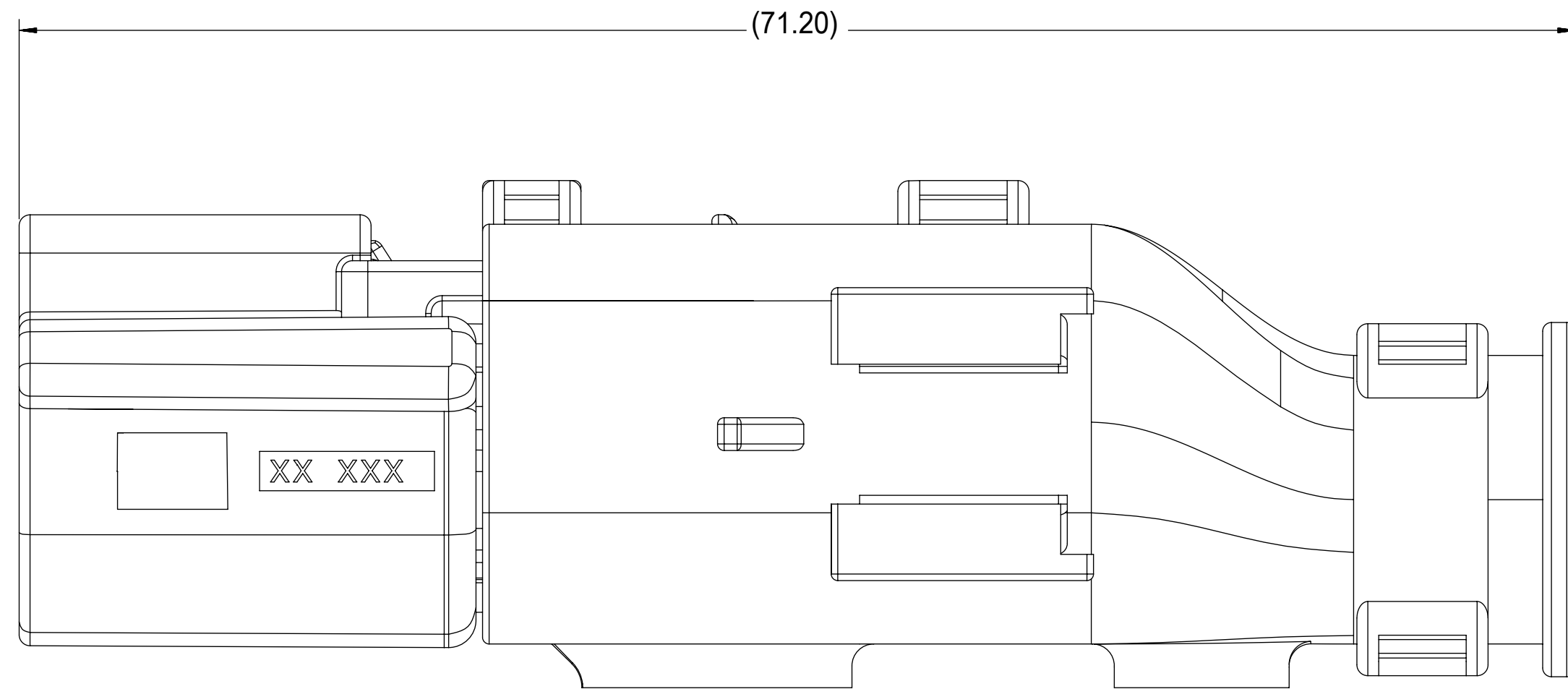
FUNCTIONAL SYMBOLS $F_A = 0$ $F_C = 0$ $F_P = 0$	THIS DRAWING CONTAINS INFORMATION THAT IS PROPRIETARY TO MOLEX ELECTRONIC TECHNOLOGIES, LLC AND SHOULD NOT BE USED WITHOUT WRITTEN PERMISSION		DIMENSION UNITS: mm		SCALE: 4:1	CURRENT REV DESC:					
	GENERAL TOLERANCES (UNLESS SPECIFIED)		ANGULAR TOL $\pm 1.0^\circ$		EC NO: 643941 DRWN: XLDONG03 2020/08/21 CHK'D: JDENG02 2020/08/26 APPR: JDENG02 2020/08/26		MX150 RCPT SINGLE ROW SEALED ASSY MAT SEAL				
	DIVISIONAL SYMBOLS		4 PLACES \pm 3 PLACES \pm 2 PLACES ± 0.1 1 PLACE ± 0.2 0 PLACES \pm		INITIAL REVISION: DRWN: APROFFITT 2015/11/04 APPR: KDEKOSKI 2016/06/14		PRODUCT CUSTOMER DRAWING				
	DRAFT WHERE APPLICABLE MUST REMAIN WITHIN DIMENSIONS		THIRD ANGLE PROJECTION		DRAWING: D-SIZE	SERIES: 33471	MATERIAL NUMBER: SEE NOTE 2a	CUSTOMER: GENERAL MARKET	DOCUMENT NUMBER: SD-33471-0001	DOC TYPE: PSD	DOC PART: 001

SHEET DESCRIPTION

BACKSHELL CONFIGURATIONS

CHARTED DIMENSIONS

DESCRIPTION	DIMENSIONS
	G
1X2	26.00



RECEPTACLE SEALED ASSEMBLY WITH RECEPTACLE BACKSHELL

FUNCTIONAL SYMBOLS FA = 0 FC = 0 FP = 0 DIVISIONAL SYMBOLS	THIS DRAWING CONTAINS INFORMATION THAT IS PROPRIETARY TO MOLEX ELECTRONIC TECHNOLOGIES, LLC AND SHOULD NOT BE USED WITHOUT WRITTEN PERMISSION		CURRENT REV DESC:		
	DIMENSION UNITS	SCALE	EC NO: 643941		
	mm	4:1	DRWN: XLDONG03 2020/08/21		
	GENERAL TOLERANCES (UNLESS SPECIFIED)		CHK'D: JDENG02 2020/08/26		
	ANGULAR TOL ± 1.0°		APPR: JDENG02 2020/08/26		
4 PLACES	±	INITIAL REVISION:		DOCUMENT NUMBER SD-33471-0001	
3 PLACES	±	DRWN: APROFFITT 2015/11/04			
2 PLACES	± 0.1	APPR: KDEKOSKI 2016/06/14		DOC TYPE	
1 PLACE	± 0.2	DRAFT WHERE APPLICABLE MUST REMAIN WITHIN DIMENSIONS		DOC PART	
0 PLACES	±	THIRD ANGLE PROJECTION		REVISION	
DRAFT WHERE APPLICABLE MUST REMAIN WITHIN DIMENSIONS		DRAWING	SERIES	MATERIAL NUMBER	CUSTOMER
DRAFT WHERE APPLICABLE MUST REMAIN WITHIN DIMENSIONS			D-SIZE	33471	SEE NOTE 2a
DRAFT WHERE APPLICABLE MUST REMAIN WITHIN DIMENSIONS		GENERAL MARKET		8 OF 8	

TABLE OF CONTENTS

SHEET NO.	SHEET DESCRIPTION
1	NOTES AND BOM
2	POLARIZATIONS
3	RCPT CONNECTOR ASSY
4	BOM SHEET 1
5	BOM SHEET 2
6	BOM SHEET 3

NOTES: VALID UNLESS OTHERWISE SPECIFIED

1. GENERAL:

a. APPLICATION SPECIFICATION SEE: AS-33472-100

- CONTAINS: PRODUCT INTRODUCTION, PRODUCT SUMMARY, CONNECTOR ASSEMBLY, PACKAGING INFORMATION, CONNECTOR MATING, SERVICE INSTRUCTIONS, ELECTRICAL CONTINUITY CHECKING, CRIMPING, AND TROUBLESHOOTING.
- DESIGNED TO MATE WITH DEVICE CONNECTION AS SPECIFIED IN DRAWING EWCAP 150-S-006-1-Z03, AVAILIBLE AT <http://ewcap.uscarteams.org/>.
- DESIGNED TO MATE WITH BLADE SEALED ASSEMBLY AS SPECIFIED IN DRAWING SD-33481-061
- FOR 1.5mm RECEPTACLE TERMINALS TO BE USED WITH THIS ASSEMBLY. SEE MOLEX DRAWING SD-33012-002.
- SYSTEM TO BE USED WITH WIRE WITHIN DIAMETER RANGE OF 1.2 mm TO 2.69 mm.
- ASSEMBLY SHIPPED WITH PLR AND CPA IN PRE-LOCK POSITION (SEE SECTION Z-Z PRE-LOCK).
- IN THE EVENT THAT THE PLR IS FOUND IN THE SEATED (FINAL LOCK) POSITION, REFER TO MOLEX SPECIFICATION PS-34646-001, AVAILIBLE AT www.molex.com <http://www.molex.com>.
- ASSEMBLY CONFORMS TO SAE/USCAR-2 REV.4 WITH THE FOLLOWING EXCEPTIONS: ENGAGEMENT FORCE TO MOVE CPA FROM PRE-LOCK TO FINAL LOCK POSITION WHEN UNMATED: 40N MIN. DISENGAGEMENT FORCE TO MOVE CPA FROM FINAL LOCK TO PRE-LOCK POSITION: 3N MIN, 40N MAX TERMINAL INSERTION FORCE FOR WIRE DIAMETER ABOVE 2.5mm NOT EXCEEDING 2.69mm SHALL NOT EXCEED 40 NEWTONS.

b. PRODUCT SPECIFICATION SEE: PS-33471-000

- CONTAINS: PRODUCT INTRODUCTION, PRODUCT SUMMARY, RATINGS (CURRENT, TEMPERATURE, SEALING, AND FLAMMABILITY), AND PRODUCT VALIDATION.

c. PACKAGING SPECIFICATION PER MOLEX DRAWING: PK-31300-903

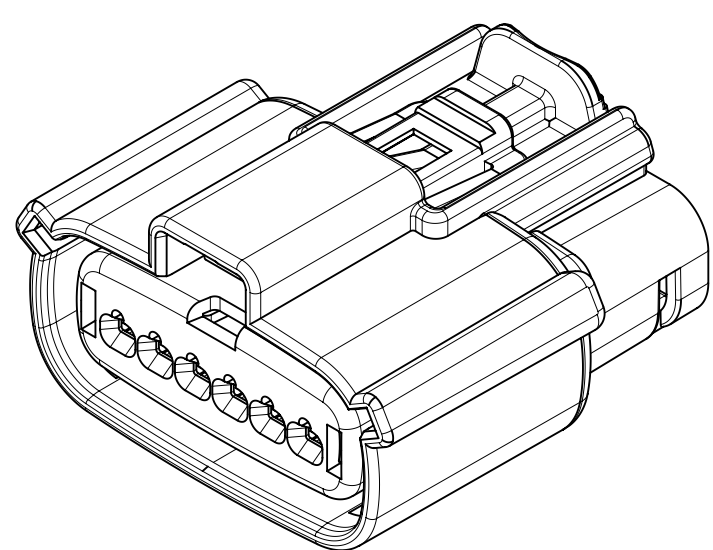
- d. PARTS MUST BE IN COMPLIANCE TO MOLEX CHEMICAL SUBSTANCES FOR PRODUCTS AND PACKAGING SPECIFICATION: ES-40000-5016
- e. DATA MUST BE SUBMITTED UNDER THE MOLEX PART NUMBER TO IMDS (COMPANY ID#13255)

2. DESIGN - MATERIALS:

- a. CONNECTOR HOUSING, GROMMET CAP, PLR: SPS/NYLON BLEND 20% GLASS FILLED
- b. CPA: PBT 20% GLASS FILLED
- c. MAT SEAL AND RING SEAL: INHERENTLY LUBRICATED SILICONE

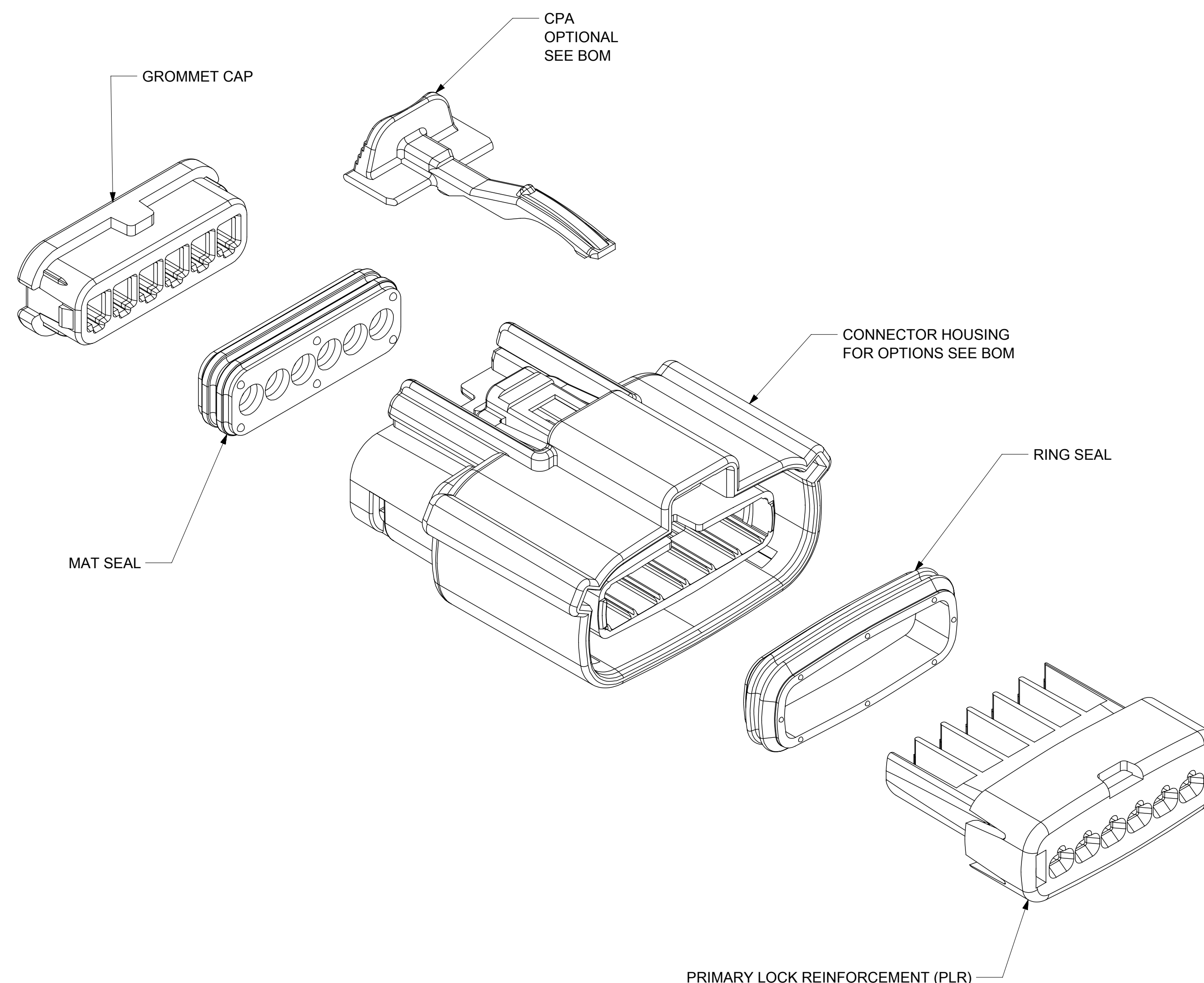
3. DESIGN - GEOMETRY:

- a. THIS IS A 100% CAD GENERATED PART. THE CAD MATHEMATICAL DATA IS THE MASTER FOR THIS PART. FOR DIMENSIONAL OR ANY INFORMATION NOT SHOWN ON THIS DRAWING, ANALYZE THE CAD MODEL.
- b. GEOMETRIC DIMENSIONS AND TOLERANCES PER ASME Y14.5M - 1994
- c. EDGES AND UNDIMENSIONED DETAILS PER ISO13715
- d. CORNERS SHOWN AS SHARP TO BE R 0.2 MAX.
- e. LETTERING SHALL BE 0.15 MAX RAISED IN 0.25 MAX RECESS PAD. THIS INCLUDES RECYCLING CODE, CAVITY ID, VENDOR IDENTIFICATION, AND CUSTOMER MATERIAL NUMBER.
- f. VISUAL DEFECTS SHALL MEET COSMETIC STANDARD PS-45499-002 (Class B)
- g. LASER MARKING: TBD



MATING INTERFACE CHART

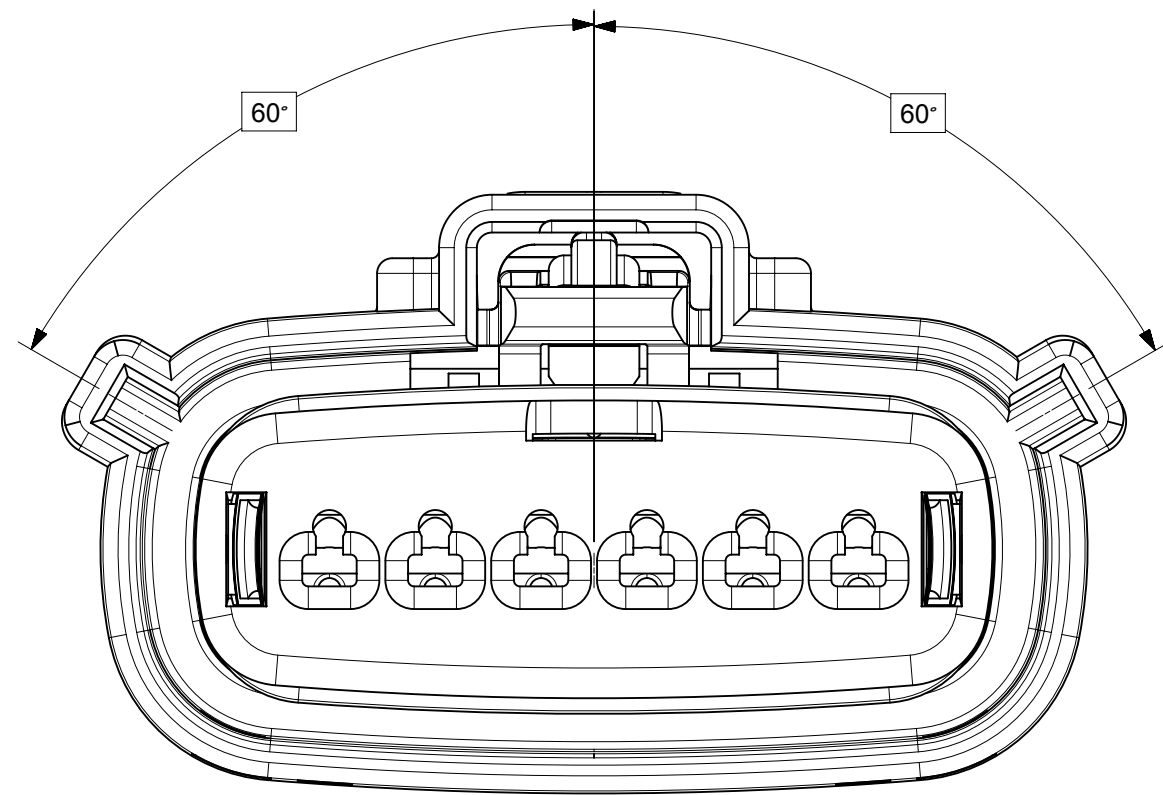
DESCRIPTION	CIRCUIT SIZE	SERIES	COLOR	INTERFACE MODEL NUMBER	STATUS
MX150 1X6 RCPT ASSY, KEY A	6	33471	BLACK	CM-150-S-006-1-A03	SALEABLE
MX150 1X6 RCPT ASSY, KEY B	6	33471	DARK GRAY	CM-150-S-006-1-B03	SALEABLE
MX150 1X6 RCPT ASSY, KEY C	6	33471	LIGHT GRAY	CM-150-S-006-1-C03	SALEABLE
MX150 1X6 RCPT ASSY, KEY D	6	33471	BLACK	CM-150-S-006-1-D03	SALEABLE



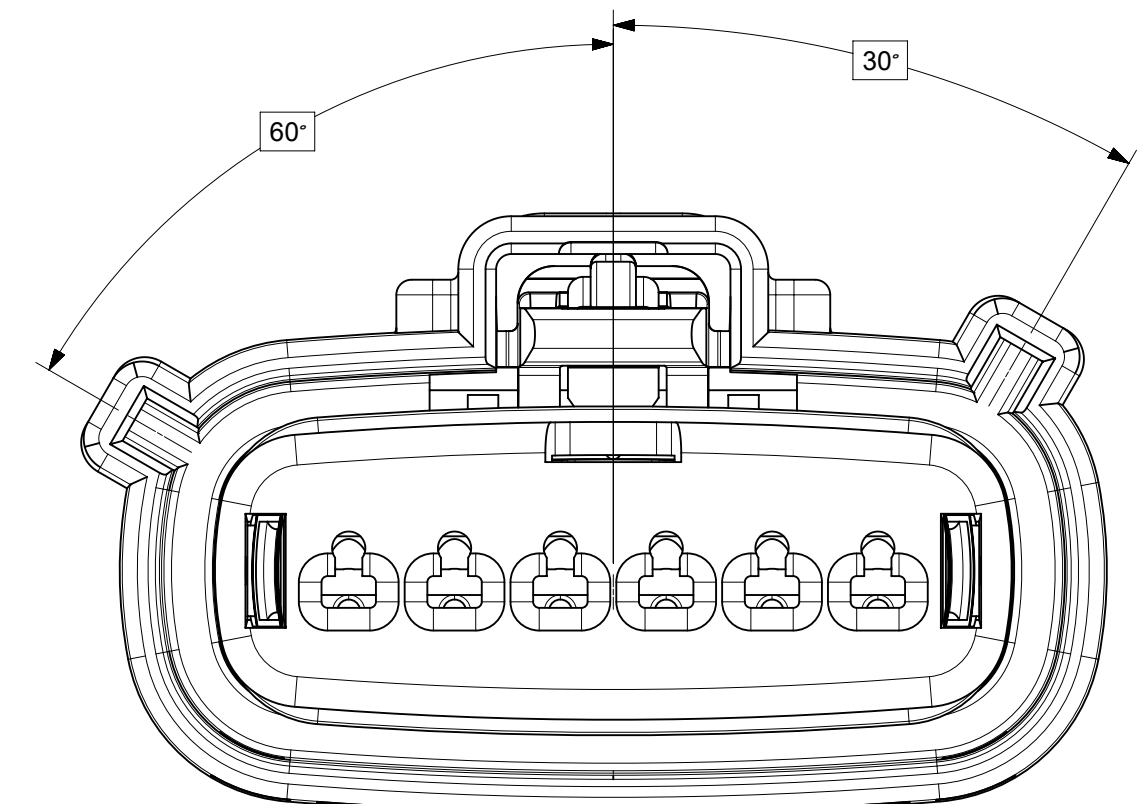
INSPECTION NUMBER LOG	
U4	Updated status of parts based on new mat seal
U3	ADDED 33471-6080
U2	UPDATED 33471-60** PARTS TO SALEABLE AND REMOVED "NOT RECOMMENDED" PART NUMBERS
U1	Remastered, Added 33471-60** Part Numbers
REV	REV DESCRIPTION

SYMBOLS DIMENSION UNITS: mm SCALE: 2:1 GENERAL TOLERANCES (UNLESS SPECIFIED): ANGULAR TOL: ± 3.0° 4 PLACES: ± 3 PLACES: ± 2 PLACES: ± 0.1 1 PLACE: ± 0.3 0 PLACES: ± DRAFT WHERE APPLICABLE MUST REMAIN WITHIN DIMENSIONS	THIS DRAWING CONTAINS INFORMATION THAT IS PROPRIETARY TO MOLEX ELECTRONIC TECHNOLOGIES, LLC AND SHOULD NOT BE USED WITHOUT WRITTEN PERMISSION CURRENT REV DESC:		
	EC NO: 614171 DRWN: DBARTHLOW 2019/04/08 CHK'D: MVANSLAMBROU 2019/04/12 APPR: MVANSLAMBROU 2019/04/12 INITIAL REVISION: DRWN: DGRIFITHS 2005/08/26 APPR: smarceau 2005/08/29		
DOCUMENT NUMBER: SD-33471-061 DOC TYPE: PSD DOC PART: 001 REVISION: U4		MATERIAL NUMBER: 33471 CUSTOMER: GENERAL MARKET SHEET NUMBER: 1 OF 6	

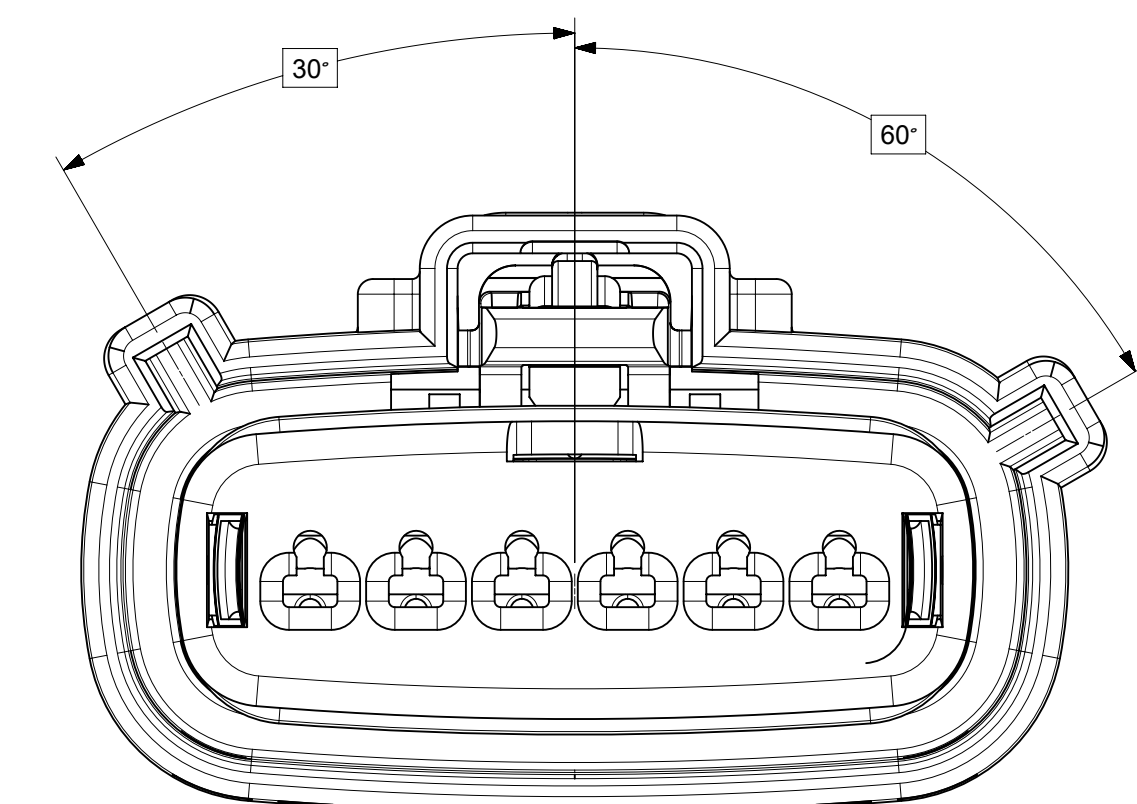
SHEET DESCRIPTION
POLARIZATIONS



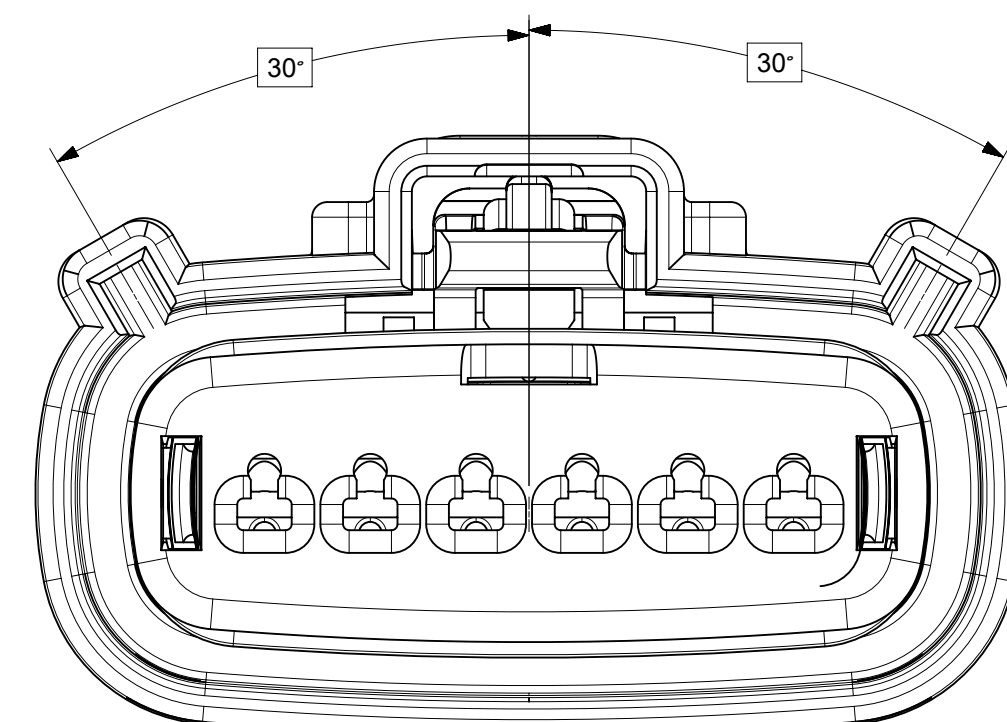
KEY A



KEY B



KEY C

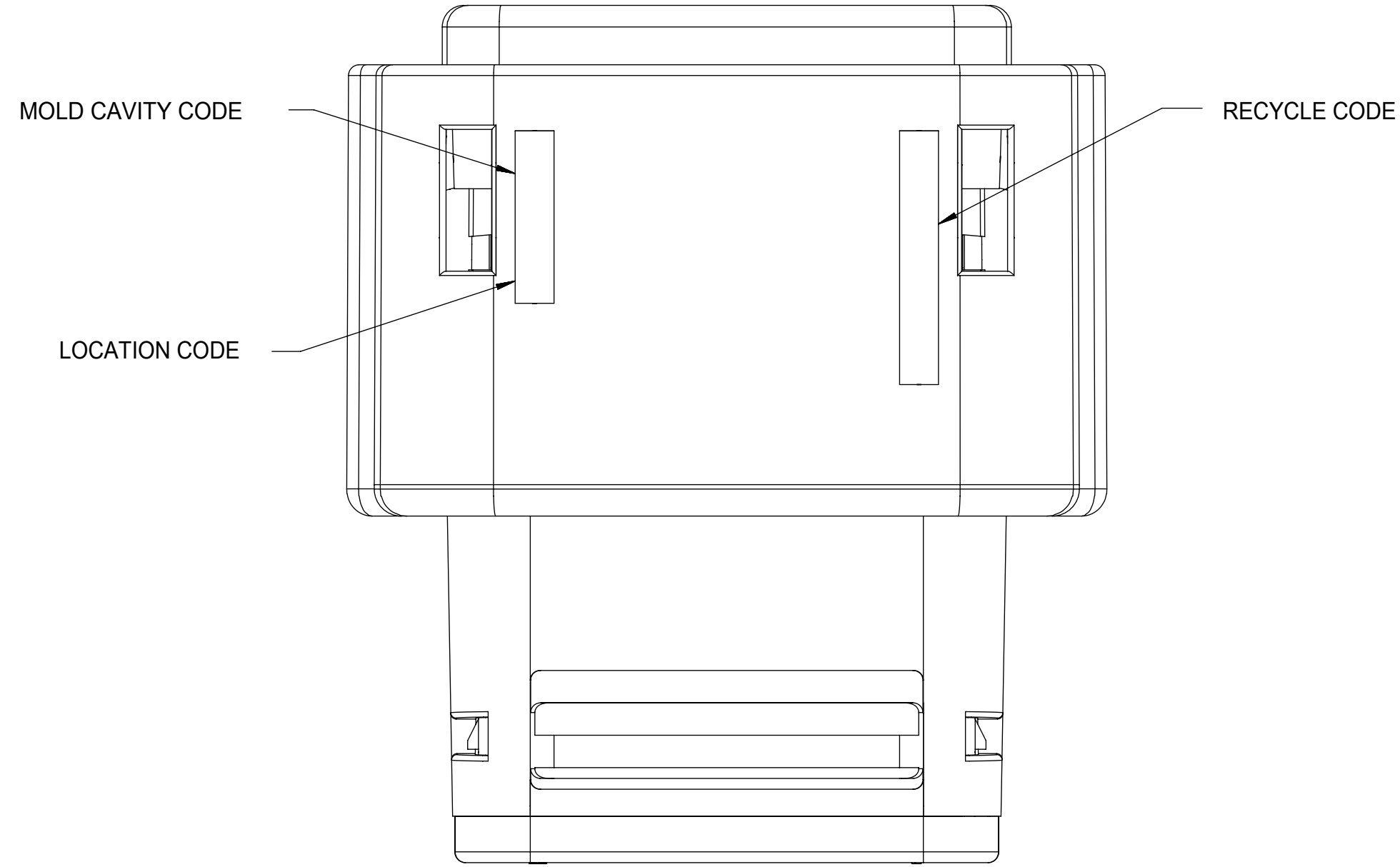
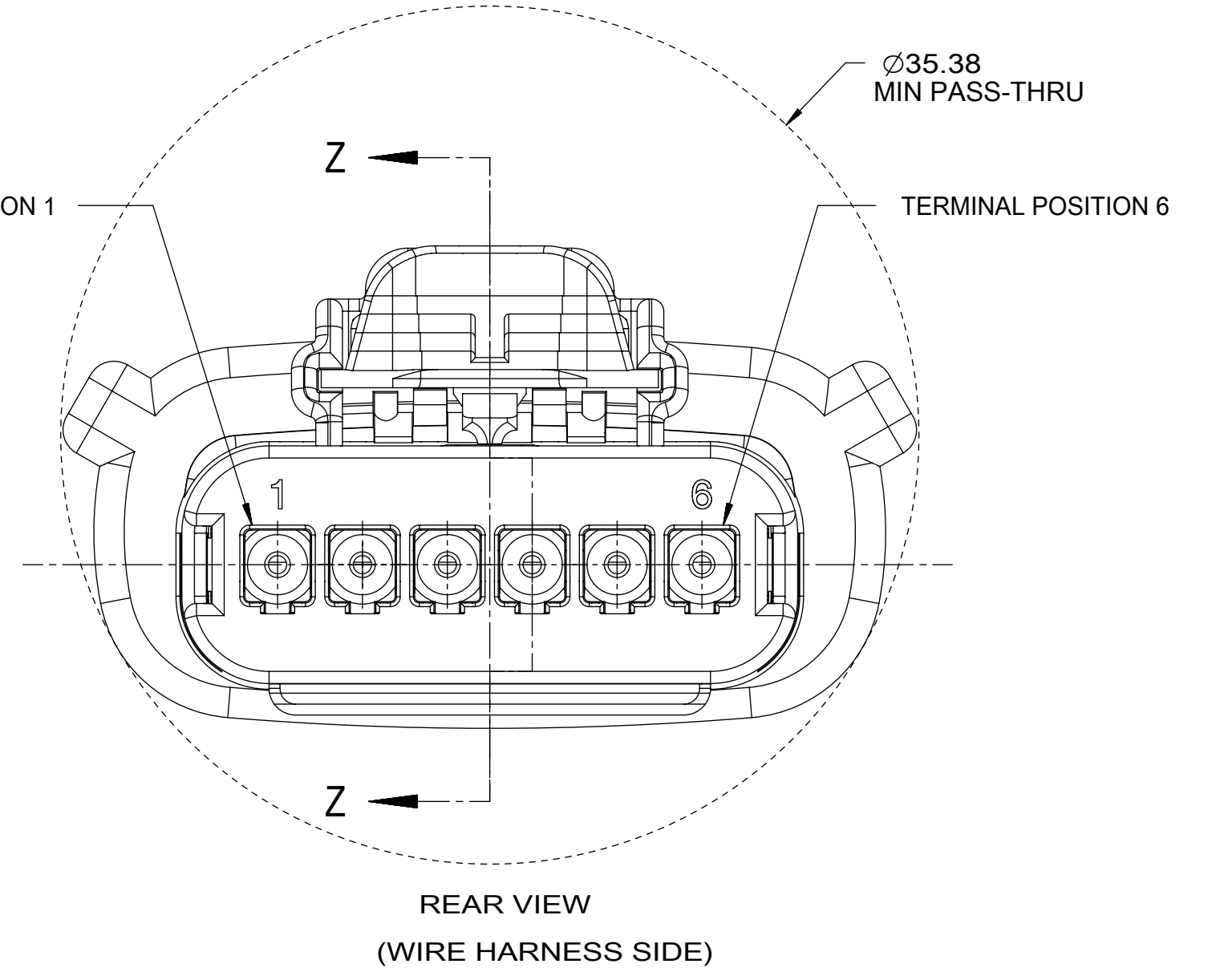
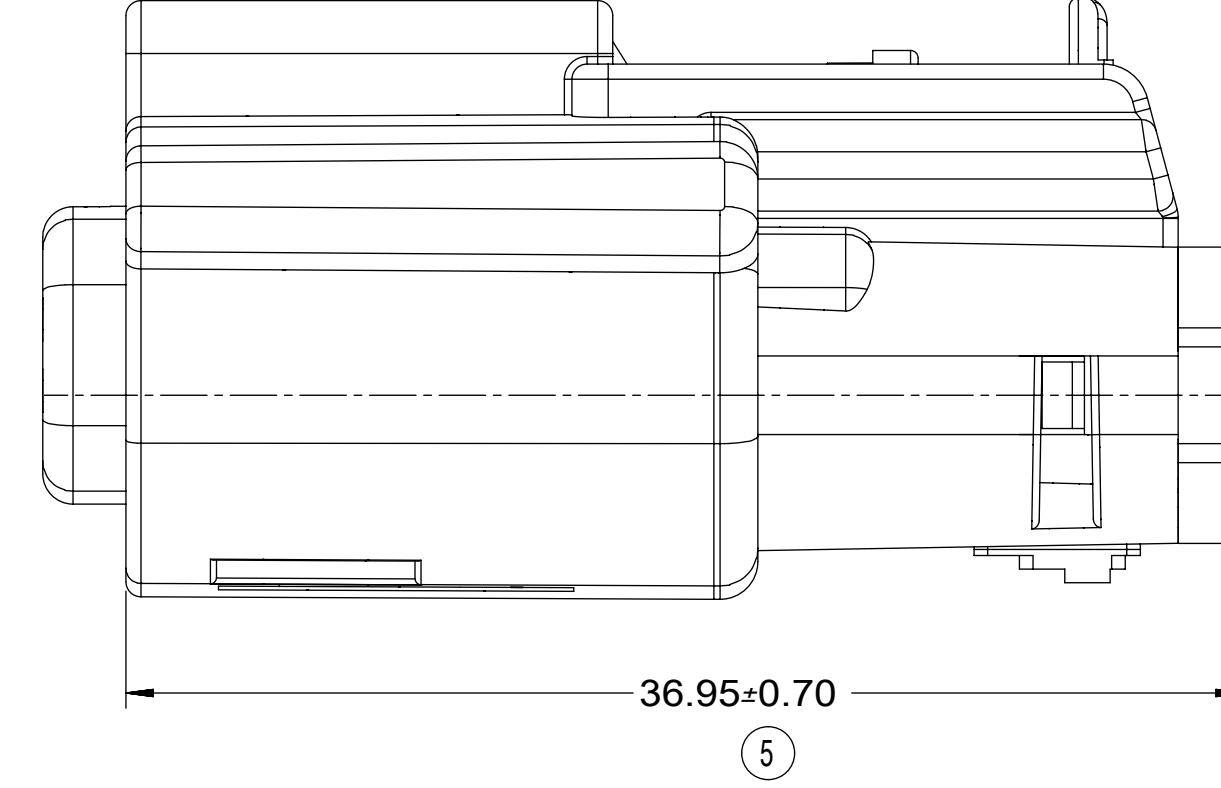
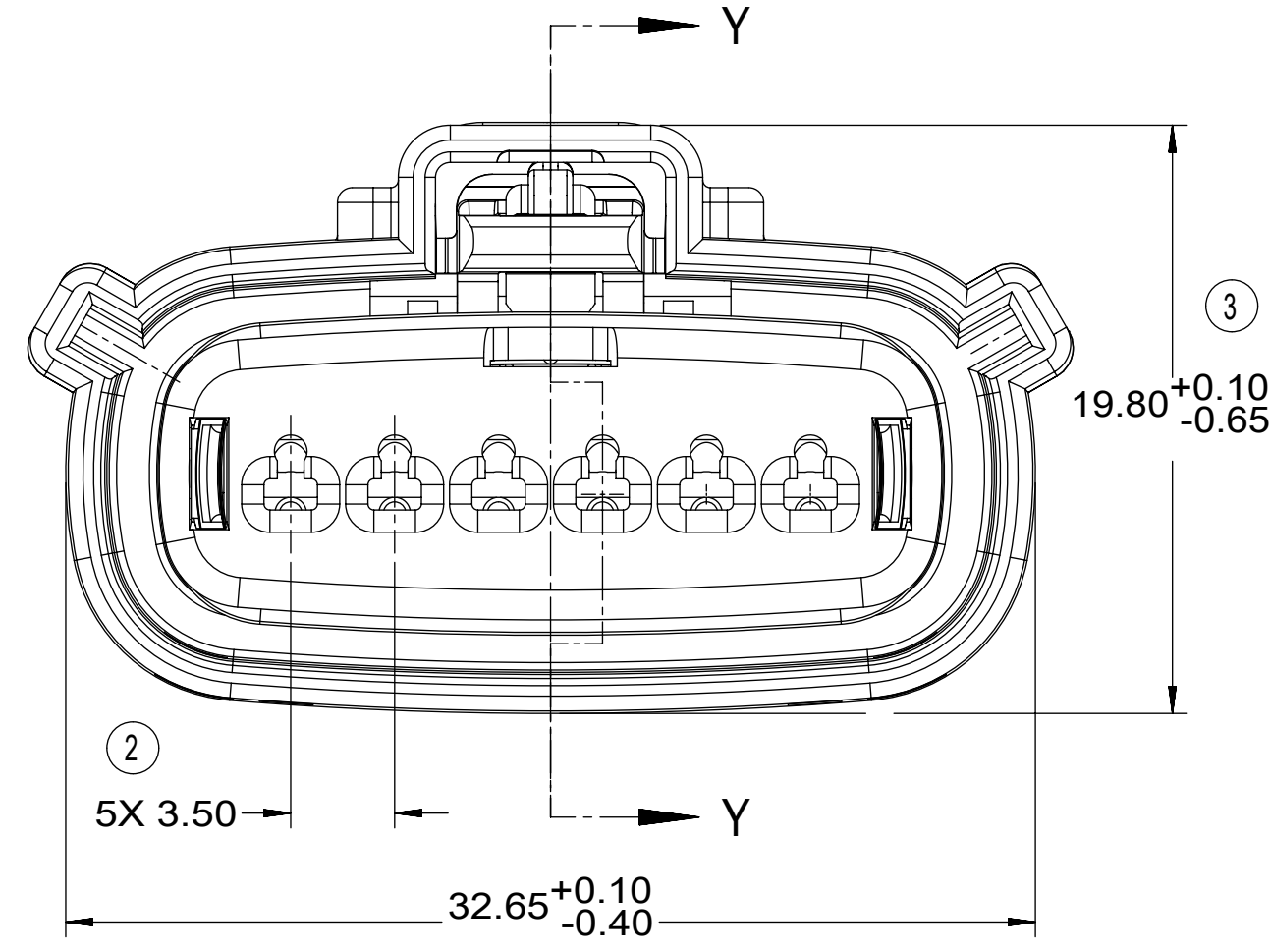
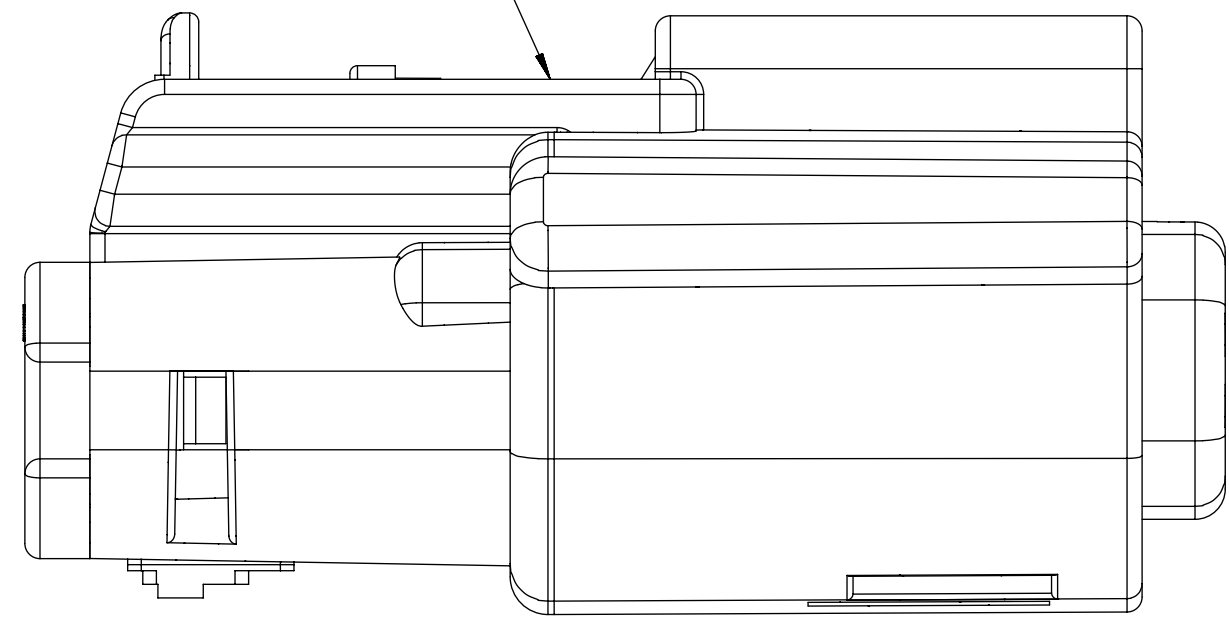


KEY D

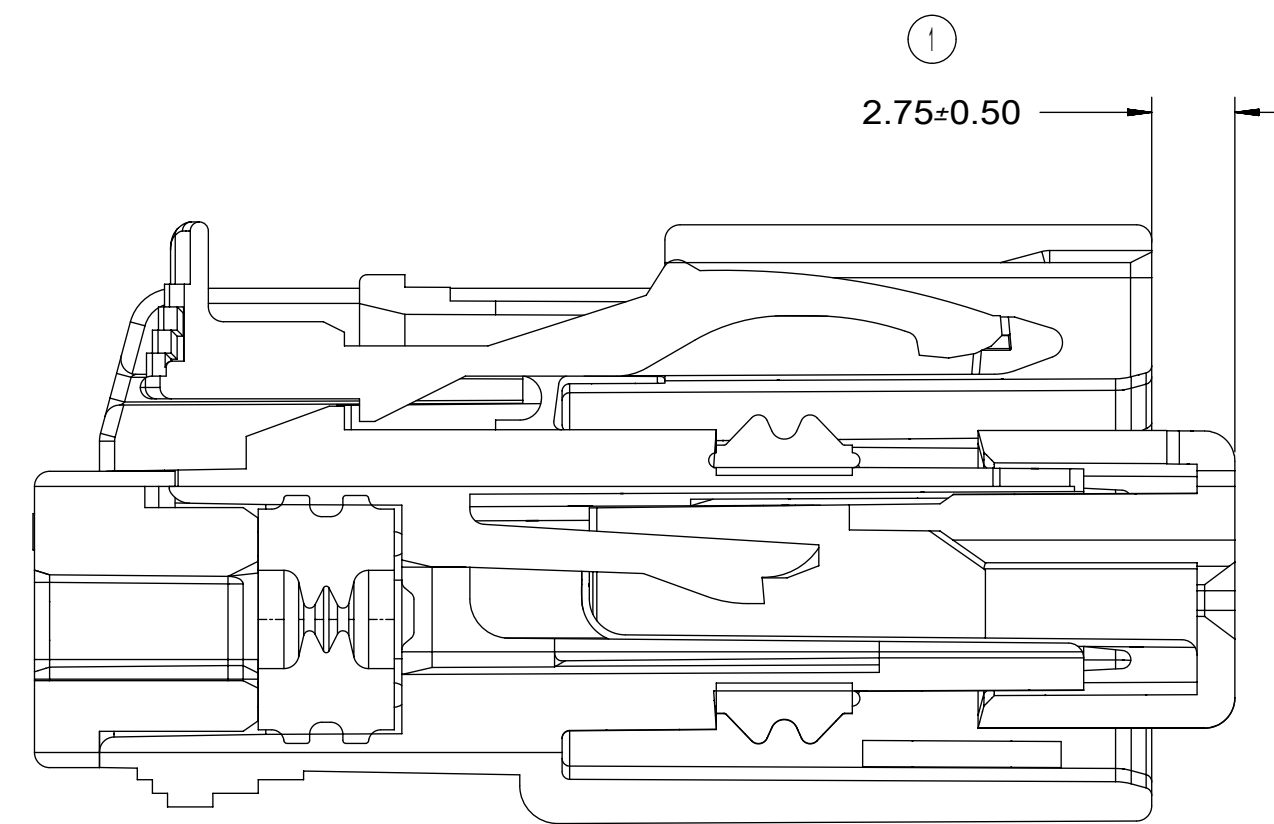
SYMBOLS	THIS DRAWING CONTAINS INFORMATION THAT IS PROPRIETARY TO MOLEX ELECTRONIC TECHNOLOGIES, LLC AND SHOULD NOT BE USED WITHOUT WRITTEN PERMISSION		
	DIMENSION UNITS	SCALE	CURRENT REV DESC:
= 0	mm	4:1	EC NO: 614171 DRWN: DBARTHLOW 2019/04/08 CHK'D: MVANSLAMBROU 2019/04/12 APPR: MVANSLAMBROU 2019/04/12 INITIAL REVISION: DRWN: DGRIFITHS 2005/08/26 APPR: smarceau 2005/08/29
= 0	GENERAL TOLERANCES (UNLESS SPECIFIED)		
= 0	ANGULAR TOL ± 3.0°		
= 0	4 PLACES ±		
= 0	3 PLACES ±		
= 0	2 PLACES ± 0.1		DOCUMENT NUMBER SD-33471-061
= 0	1 PLACE ± 0.3		
= 0	0 PLACES ±		DOC PART 001
= 0	DRAFT WHERE APPLICABLE MUST REMAIN WITHIN DIMENSIONS	THIRD ANGLE PROJECTION	REVISION U4
= 0		DRAWING D-SIZE	SHEET NUMBER 2 OF 6
		SERIES 33471	CUSTOMER GENERAL MARKET

SHEET DESCRIPTION
RCPT CONNECTOR ASSY

LASER MARKING THIS SURFACE
SEE NOTE 3g.

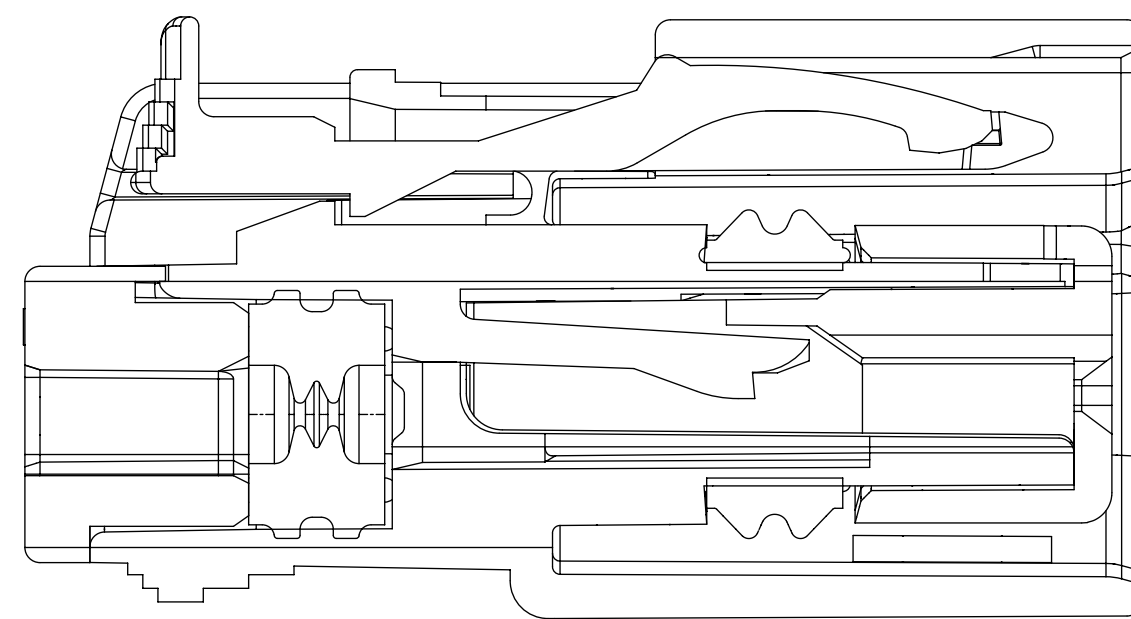


Bottom1



PRIMARY LOCK REINFORCEMENT (PLR) SHOWN
IN PRE-STAGED POSITION

SECTION Z-Z



PRIMARY LOCK REINFORCEMENT (PLR) SHOWN
IN FINAL-LOCK POSITION


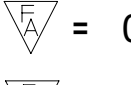
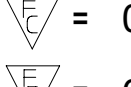
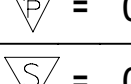

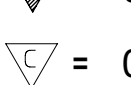
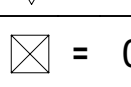

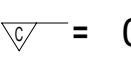
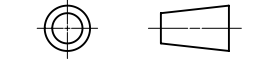
SECTION Y-Y

SYMBOLS		THIS DRAWING CONTAINS INFORMATION THAT IS PROPRIETARY TO MOLEX ELECTRONIC TECHNOLOGIES, LLC AND SHOULD NOT BE USED WITHOUT WRITTEN PERMISSION		CURRENT REV DESC:					
▽ = 0	mm	SCALE	4:1	EC NO: 614171				DOCUMENT NUMBER	DOC TYPE
▽ = 0	GENERAL TOLERANCES (UNLESS SPECIFIED)			DRWN: DBARTHLOW		2019/04/08	MX150 1X6 RECEPTACLE SEALED ASSEMBLY MAT SEAL		
▽ = 0	ANGULAR TOL ± 3.0°			CHK'D: MVANSLAMBROU		2019/04/12	PRODUCT CUSTOMER DRAWING		
▽ = 0	4 PLACES ±			APPR: MVANSLAMBROU		2019/04/12	SD-33471-061		
▽ = 0	3 PLACES ±			INITIAL REVISION:			PSD 001 U4		
▽ = 0	2 PLACES ± 0.1			DRWN: DGRIFITHS		2005/08/26	GENERAL MARKET		
▽ = 0	1 PLACE ± 0.3			APPR: smarceau		2005/08/29	3 OF 6		
▽ = 0	0 PLACES ±			DRAFT WHERE APPLICABLE MUST REMAIN WITHIN DIMENSIONS			SHEET NUMBER		
▽ = 0	THIRD ANGLE PROJECTION		DRAWING		SERIES		MATERIAL NUMBER		
▽ = 0	D-SIZE		33471		CUSTOMER		GENERAL MARKET		

SHEET DESCRIPTION

BOM SHEET 1

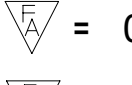
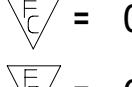
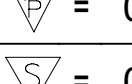

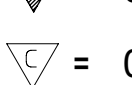
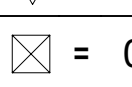

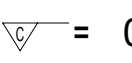


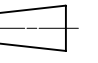
ASSEMBLY PART NUMBER	COLOR	KEYING OPTION	CAVITY TYPE & STATUS (NUMBER PRESENT = PLUGGED)						CPA	STATUS	COMMENTS	
			1	2	3	4	5	6				
33471-0601	BLACK	A							---	PLANNED OBSOLESCENCE		
33471-0602	LT.GRAY	B							---	PLANNED OBSOLESCENCE		
33471-0603	BROWN	C							---	NOT RECOMMENDED	SEE P/N 33471-0659	
33471-0604	GREEN	D							---	NOT RECOMMENDED	SEE P/N 33471-0660	
33471-0605	YELLOW	A							---	PLANNED OBSOLESCENCE		
33471-0606	BLACK	A							YES	PLANNED OBSOLESCENCE		
33471-0607	LT.GRAY	B							YES	PLANNED OBSOLESCENCE		
33471-0608	BROWN	C							YES	NOT RECOMMENDED	SEE P/N 33471-0661	
33471-0609	GREEN	D							YES	NOT RECOMMENDED	SEE P/N 33471-0662	
33471-0610	YELLOW	A							YES	PLANNED OBSOLESCENCE		
33471-0611	BLACK	A						6	---	PLANNED OBSOLESCENCE		
33471-0612	LT.GRAY	B						6	---	PLANNED OBSOLESCENCE		
33471-0613	BROWN	C						6	---	NOT RECOMMENDED	SEE P/N 33471-0663	
33471-0614	GREEN	D						6	---	NOT RECOMMENDED	SEE P/N 33471-0664	
33471-0615	YELLOW	A						6	---	PLANNED OBSOLESCENCE		
33471-0616	BLACK	A						6	YES	PLANNED OBSOLESCENCE		
33471-0617	LT.GRAY	B						6	YES	PLANNED OBSOLESCENCE		
33471-0618	BROWN	C						6	YES	NOT RECOMMENDED	SEE P/N 33471-0665	
33471-0619	GREEN	D						6	YES	NOT RECOMMENDED	SEE P/N 33471-0666	
33471-0620	YELLOW	A						6	YES	PLANNED OBSOLESCENCE		
33471-0621	BLACK	A	1					6	---	PLANNED OBSOLESCENCE		
33471-0622	LT.GRAY	B	1					6	---	PLANNED OBSOLESCENCE		
33471-0623	BROWN	C	1					6	---	NOT RECOMMENDED	SEE P/N 33471-0667	
33471-0624	GREEN	D	1					6	---	NOT RECOMMENDED	SEE P/N 33471-0668	
33471-0625	YELLOW	A	1					6	---	PLANNED OBSOLESCENCE		
33471-0626	BLACK	A	1					6	YES	PLANNED OBSOLESCENCE		
33471-0627	LT.GRAY	B	1					6	YES	PLANNED OBSOLESCENCE		
33471-0628	BROWN	C	1					6	YES	NOT RECOMMENDED	SEE P/N 33471-0669	
33471-0629	GREEN	D	1					6	YES	NOT RECOMMENDED	SEE P/N 33471-0670	
33471-0630	YELLOW	A	1					6	YES	PLANNED OBSOLESCENCE		
33471-0631	BLACK	A	1	2	3	4	5	6	---	PLANNED OBSOLESCENCE		
33471-0632	LT.GRAY	B	1	2	3	4	5	6	---	PLANNED OBSOLESCENCE		
33471-0633	BROWN	C	1	2	3	4	5	6	---	NOT RECOMMENDED	SEE P/N 33471-0671	
33471-0634	GREEN	D	1	2	3	4	5	6	---	NOT RECOMMENDED	SEE P/N 33471-0672	
33471-0635	YELLOW	A	1	2	3	4	5	6	---	PLANNED OBSOLESCENCE		
33471-0650	BLACK	A						5	6	---	PLANNED OBSOLESCENCE	
33471-0651	BLACK	A	1	2	3	4	5	6	YES	PLANNED OBSOLESCENCE		
33471-0652	BLACK	A					4		YES	PLANNED OBSOLESCENCE		
33471-0653	BLACK	A			3				YES	PLANNED OBSOLESCENCE		
33471-0654	BLACK	A			3				---	PLANNED OBSOLESCENCE		
33471-0655	BLACK	A			3	4	5		---	PLANNED OBSOLESCENCE		
33471-0656	BLACK	A						5	---	PLANNED OBSOLESCENCE		
33471-0657	BLACK	A					4		---	PLANNED OBSOLESCENCE		
33471-0658	BLACK	A	1	2	3	4			---	PLANNED OBSOLESCENCE		
33471-0659	DARK GRAY	C							---	PLANNED OBSOLESCENCE		
33471-0660	STONE GRAY	D							---	PLANNED OBSOLESCENCE		
33471-0661	DARK GRAY	C							YES	PLANNED OBSOLESCENCE		
33471-0662	STONE GRAY	D							YES	PLANNED OBSOLESCENCE		
33471-0663	DARK GRAY	C						6	---	PLANNED OBSOLESCENCE		
33471-0664	STONE GRAY	D						6	---	PLANNED OBSOLESCENCE		
33471-0665	DARK GRAY	C						6	YES	PLANNED OBSOLESCENCE		
33471-0666	STONE GRAY	D						6	YES	PLANNED OBSOLESCENCE		
33471-0667	DARK GRAY	C	1					6	---	PLANNED OBSOLESCENCE		
33471-0668	STONE GRAY	D	1					6	---	PLANNED OBSOLESCENCE		
33471-0669	DARK GRAY	C	1					6	YES	PLANNED OBSOLESCENCE		
33471-0670	STONE GRAY	D	1					6	YES	PLANNED OBSOLESCENCE		
33471-0671	DARK GRAY	C	1	2	3	4	5	6	---	PLANNED OBSOLESCENCE		
33471-0672	STONE GRAY	D	1	2	3	4	5	6	---	PLANNED OBSOLESCENCE		
33471-0673	BLACK	A						6	---	PLANNED OBSOLESCENCE		
33471-0674	BLACK	A		2					---	PLANNED OBSOLESCENCE		
33471-0675	BLACK	A	1		3			5	YES	PLANNED OBSOLESCENCE		
33471-0676	BLACK	A	1						---	PLANNED OBSOLESCENCE		
33471-0677	BLACK	A		2	3	4			---	PLANNED OBSOLESCENCE		
33471-0678	BLACK	A				4	5		---	PLANNED OBSOLESCENCE		

SYMBOLS		THIS DRAWING CONTAINS INFORMATION THAT IS PROPRIETARY TO MOLEX ELECTRONIC TECHNOLOGIES, LLC AND SHOULD NOT BE USED WITHOUT WRITTEN PERMISSION		CURRENT REV DESC:			
 = 0	DIMENSION UNITS	mm	SCALE	1:1	GENERAL TOLERANCES (UNLESS SPECIFIED)		
 = 0	ANGULAR TOL		±	3.0°	EC NO: 614171		DRWN: DBARTHLOW 2019/04/08 APPR: MVANSLAMBROU 2019/04/12
 = 0	4 PLACES		±		DRWN: MVANSLAMBROU 2019/04/12		
 = 0	3 PLACES		±		APPR: MVANSLAMBROU 2019/04/12		
 = 0	2 PLACES		±	0.1	INITIAL REVISION:		DOCUMENT NUMBER: SD-33471-061 DOC TYPE: PSD DOC PART: 001 REVISION: U4
 = 0	1 PLACE		±	0.3	DRWN: DGRIFITHS 2005/08/26		
 = 0	0 PLACES		±		APPR: smarceau 2005/08/29		
 = 0	DRAFT WHERE APPLICABLE MUST REMAIN WITHIN DIMENSIONS		THIRD ANGLE PROJECTION		DRAWING	SERIES	MATERIAL NUMBER
				D-SIZE	33471	CUSTOMER	
				GENERAL MARKET		SHEET NUMBER	
						4 OF 6	

SHEET DESCRIPTION

BOM SHEET 2

ASSEMBLY PART NUMBER	COLOR	KEYING OPTION	CAVITY TYPE & STATUS (NUMBER PRESENT = PLUGGED)						CPA	STATUS	COMMENTS
			1	2	3	4	5	6			
33471-6601	BLACK	A							—	PLANNED OBSOLESCENCE	
33471-6606	BLACK	A							YES	PLANNED OBSOLESCENCE	

SYMBOLS	THIS DRAWING CONTAINS INFORMATION THAT IS PROPRIETARY TO MOLEX ELECTRONIC TECHNOLOGIES, LLC AND SHOULD NOT BE USED WITHOUT WRITTEN PERMISSION													
	 = 0	DIMENSION UNITS	SCALE	CURRENT REV DESC:							molex			
	 = 0	mm	1:1	EC NO: 614171										
	 = 0	GENERAL TOLERANCES (UNLESS SPECIFIED)		DRWN: DBARTHLOW 2019/04/08							PRODUCT CUSTOMER DRAWING			
	 = 0	ANGULAR TOL ± 3.0°		CHK'D: MVANSLAMBROU 2019/04/12										
	 = 0	4 PLACES	±	APPR: MVANSLAMBROU 2019/04/12							INITIAL REVISION:			
	 = 0	3 PLACES	±	DRWN: DGRIFITHS 2005/08/26										
	 = 0	2 PLACES	± 0.1	APPR: smarceau 2005/08/29							DOCUMENT NUMBER	DOC TYPE	DOC PART	REVISION
	 = 0	1 PLACE	± 0.3	DRAFT WHERE APPLICABLE MUST REMAIN WITHIN DIMENSIONS							SD-33471-061	PSD	001	U4
	 = 0	0 PLACES	±								THIRD ANGLE PROJECTION	DRAWING	SERIES	MATERIAL NUMBER
= 0					D-SIZE	33471	GENERAL MARKET	5 OF 6						

SHEET DESCRIPTION

BOM SHEET 3

ASSEMBLY PART NUMBER	COLOR	KEYING OPTION	CAVITY TYPE & STATUS (NUMBER PRESENT = PLUGGED)						CPA	STATUS	COMMENTS
			1	2	3	4	5	6			
33471-6001	BLACK	A							---	SALEABLE	
33471-6002	LT.GRAY	B							---	SALEABLE	
33471-6003	BROWN	C							---	NOT RECOMMENDED	SEE P/N 33471-6059
33471-6004	GREEN	D							---	NOT RECOMMENDED	SEE P/N 33471-6060
33471-6005	YELLOW	A							---	SALEABLE	
33471-6006	BLACK	A							YES	SALEABLE	
33471-6007	LT.GRAY	B							YES	SALEABLE	
33471-6008	BROWN	C							YES	NOT RECOMMENDED	SEE P/N 33471-6061
33471-6009	GREEN	D							YES	NOT RECOMMENDED	SEE P/N 33471-6062
33471-6010	YELLOW	A							YES	SALEABLE	
33471-6011	BLACK	A							6	---	SALEABLE
33471-6012	LT.GRAY	B							6	---	SALEABLE
33471-6015	YELLOW	A							6	---	SALEABLE
33471-6016	BLACK	A							6	YES	SALEABLE
33471-6017	LT.GRAY	B							6	YES	SALEABLE
33471-6020	YELLOW	A							6	YES	SALEABLE
33471-6021	BLACK	A	1						6	---	SALEABLE
33471-6022	LT.GRAY	B	1						6	---	SALEABLE
33471-6025	YELLOW	A	1						6	---	SALEABLE
33471-6026	BLACK	A	1						6	YES	SALEABLE
33471-6027	LT.GRAY	B	1						6	YES	SALEABLE
33471-6030	YELLOW	A	1						6	YES	SALEABLE
33471-6031	BLACK	A	1	2	3	4	5	6	---	SALEABLE	
33471-6032	LT.GRAY	B	1	2	3	4	5	6	---	SALEABLE	
33471-6035	YELLOW	A	1	2	3	4	5	6	---	SALEABLE	
33471-6050	BLACK	A						5	6	---	SALEABLE
33471-6051	BLACK	A	1	2	3	4	5	6	YES	SALEABLE	
33471-6052	BLACK	A				4			YES	SALEABLE	
33471-6053	BLACK	A			3				YES	SALEABLE	
33471-6054	BLACK	A			3				---	SALEABLE	
33471-6055	BLACK	A			3	4	5		---	SALEABLE	
33471-6056	BLACK	A					5		---	SALEABLE	
33471-6057	BLACK	A				4			---	SALEABLE	
33471-6058	BLACK	A	1	2	3	4			---	SALEABLE	
33471-6059	DARK GRAY	C							---	SALEABLE	
33471-6060	STONE GRAY	D							---	SALEABLE	
33471-6061	DARK GRAY	C							YES	SALEABLE	
33471-6062	STONE GRAY	D							YES	SALEABLE	
33471-6063	DARK GRAY	C						6	---	SALEABLE	
33471-6064	STONE GRAY	D						6	---	SALEABLE	
33471-6065	DARK GRAY	C						6	YES	SALEABLE	
33471-6066	STONE GRAY	D						6	YES	SALEABLE	
33471-6067	DARK GRAY	C	1					6	---	SALEABLE	
33471-6068	STONE GRAY	D	1					6	---	SALEABLE	
33471-6069	DARK GRAY	C	1					6	YES	SALEABLE	
33471-6070	STONE GRAY	D	1					6	YES	SALEABLE	
33471-6071	DARK GRAY	C	1	2	3	4	5	6	---	SALEABLE	
33471-6072	STONE GRAY	D	1	2	3	4	5	6	---	SALEABLE	
33471-6073	BLACK	A			3			6	---	SALEABLE	
33471-6074	BLACK	A		2					---	SALEABLE	
33471-6075	BLACK	A	1		3		5		YES	SALEABLE	
33471-6076	BLACK	A	1						---	SALEABLE	
33471-6077	BLACK	A		2	3	4			---	SALEABLE	
33471-6078	BLACK	A				4	5		---	SALEABLE	
33471-6079	BLACK	A	1						YES	SALEABLE	
33471-6080	BLACK	A			3	4			YES	SALEABLE	

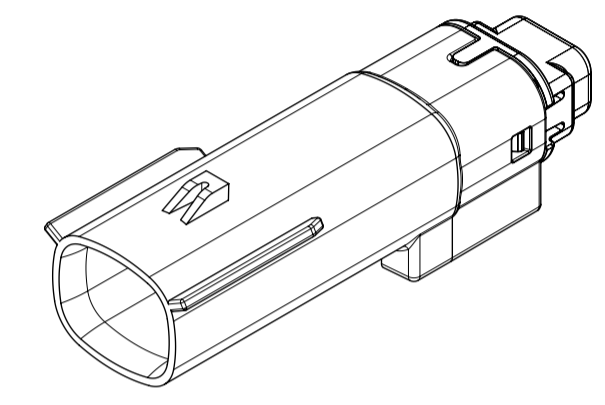
SYMBOLS = 0 = 0 = 0 = 0 = 0 = 0 = 0 = 0 = 0	THIS DRAWING CONTAINS INFORMATION THAT IS PROPRIETARY TO MOLEX ELECTRONIC TECHNOLOGIES, LLC AND SHOULD NOT BE USED WITHOUT WRITTEN PERMISSION		CURRENT REV DESC:		 MX150 1X6 RECEPTACLE SEALED ASSEMBLY MAT SEAL PRODUCT CUSTOMER DRAWING DOCUMENT NUMBER: SD-33471-061 DOC TYPE: PSD DOC PART: 001 REVISION: U4
	DIMENSION UNITS	SCALE	EC NO: 614171		
	mm	1:1	DRWN: DBARTHLOW 2019/04/08		
	GENERAL TOLERANCES (UNLESS SPECIFIED)		CHK'D: MVANSLAMBROU 2019/04/12		
	ANGULAR TOL	± 3.0°	APPR: MVANSLAMBROU 2019/04/12		
	4 PLACES	±	INITIAL REVISION:		
	3 PLACES	±	DRWN: DGRIFITHS 2005/08/26		
	2 PLACES	± 0.1	APPR: smarceau 2005/08/29		
	1 PLACE	± 0.3	MATERIAL NUMBER: 33471		
	0 PLACES	±	CUSTOMER: GENERAL MARKET		
DRAFT WHERE APPLICABLE MUST REMAIN WITHIN DIMENSIONS		THIRD ANGLE PROJECTION	DRAWING: D-SIZE	SERIES: 33471	SHEET NUMBER: 6 OF 6

TABLE OF CONTENTS	
SHEET NO.	SHEET DESCRIPTION
1	NOTES AND BOM
2	CONFIGURATIONS
3-4	KEY CONFIGURATIONS
5	BLADE SEALED ASSEMBLY
6	SYSTEM PACKAGING
7	BACKSHELL NOTES
8	BACKSHELL
9	BACKSHELL CONFIGURATIONS

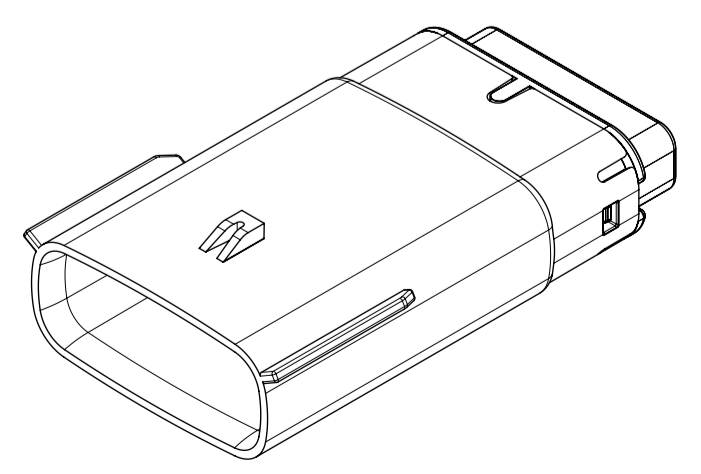
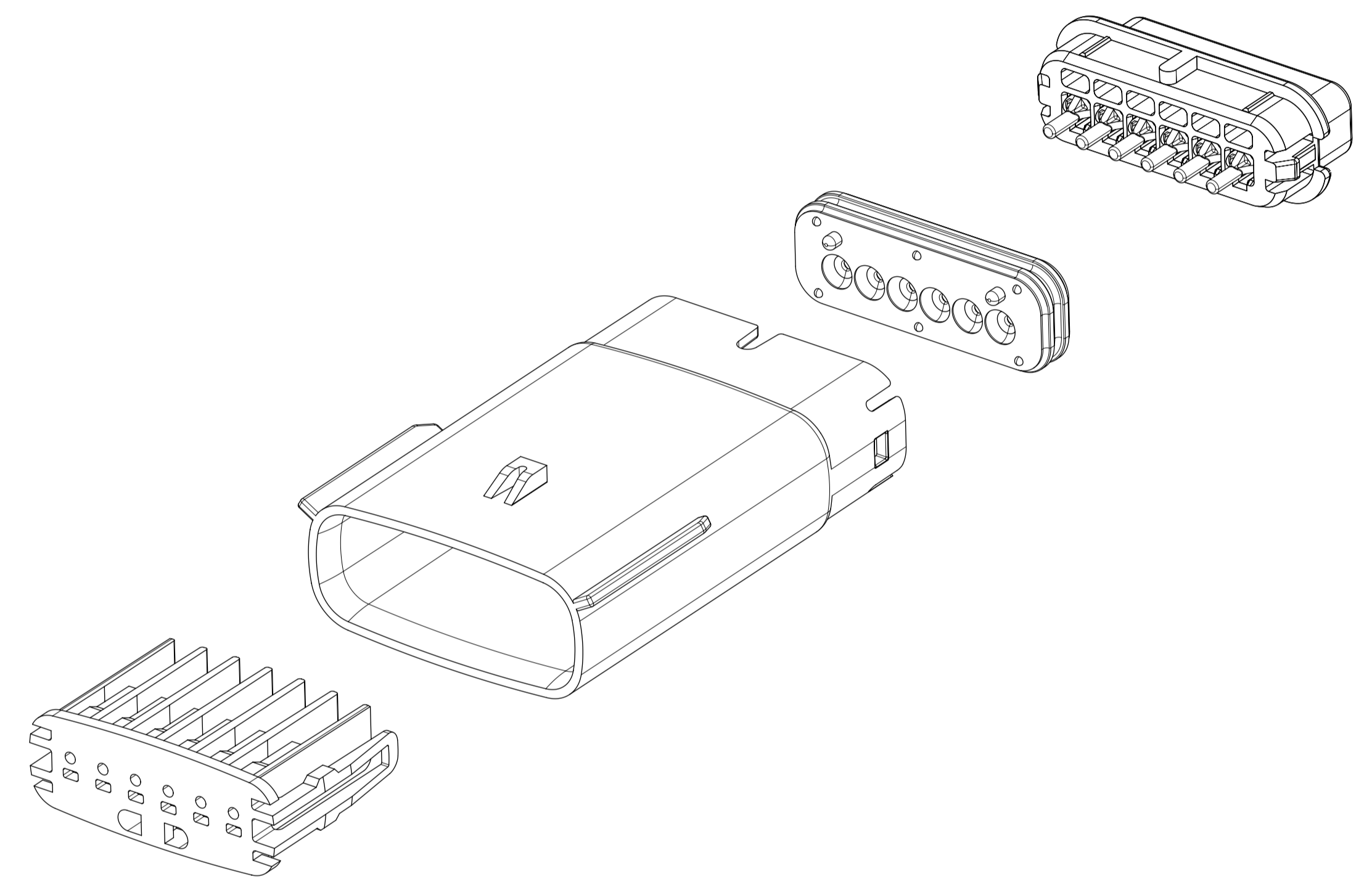
NOTES: VALID UNLESS OTHERWISE SPECIFIED

1. GENERAL:
- a. APPLICATION SPECIFICATION SEE: AS-33472-100
- CONTAINS: PRODUCT INTRODUCTION, PRODUCT SUMMARY, CONNECTOR ASSEMBLY, PACKAGING INFORMATION, CONNECTOR MATING, SERVICE INSTRUCTIONS, ELECTRICAL CONTINUITY CHECKING, CRIMPING, AND TROUBLESHOOTING.
 - DESIGNED TO MATE WITH RECEPTACLE SEALED ASSEMBLY AS SPECIFIED IN THE MATING CONNECTOR DRAWINGS CHART.
 - *DENOTES DRAWINGS THAT CAN BE ACCESSED AT <http://ewcap.uscarteams.org/>
 - ASSEMBLY SHIPPED WITH PLR IN PRE-LOCK POSITION (SEE PLR PRE-LOCK VIEW SHEET 5).
- b. PRODUCT SPECIFICATION SEE:
- STANDARD CONFIGURATION: PS-33471-000
 - UL V0 CONFIGURATION: PS-160105-0001
 - CONTAINS: PRODUCT INTRODUCTION, PRODUCT SUMMARY, RATINGS (CURRENT, TEMPERATURE, SEALING, AND FLAMMABILITY), TERMINALS, WIRE DIAMETER RANGE, PRODUCT VALIDATION, AND PRODUCT DEVIATIONS.
- c. PACKAGING SPECIFICATION PER MOLEX DRAWING: PK-31300-635 (PK-33471-000 FOR 1X5)
- d. PARTS MUST BE IN COMPLIANCE TO MOLEX CHEMICAL SUBSTANCES FOR PRODUCTS AND PACKAGING SPECIFICATION: QEHS-699000-300
- e. DATA MUST BE SUBMITTED UNDER THE MOLEX PART NUMBER TO IMDS (COMPANY ID#13255)
2. DESIGN - MATERIALS:
- a. FOR BILL OF MATERIALS SEE:
- STANDARD CONFIGURATION: SD-33481-0002
 - UL V0 CONFIGURATION: SD-160106-0002
3. DESIGN - GEOMETRY:
- a. THE 3-D CAD DATA IS BASIC (WITHOUT TOLERANCE) AND MASTER FOR THIS PART WITH THE EXCEPTION OF UNDERLINED DIMENSIONS. DIMENSIONAL INFORMATION NOT SHOWN ON THIS DRAWING IS DEFINED BY THE DATA FILE AT ITS LATEST REVISION.
- b. GEOMETRIC DIMENSIONS AND TOLERANCES PER ASME Y14.5M-2009
- c. EDGES AND UNDIMENSIONED DETAILS PER ISO13715
- d. CORNERS SHOWN AS SHARP TO BE R 0.2 MAX.
- e. LETTERING SHALL BE 0.15 MAX RAISED IN 0.25 MAX RECESS PAD. THIS INCLUDES RECYCLING CODE, CAVITY ID, VENDOR IDENTIFICATION, AND CUSTOMER MATERIAL NUMBER.
- f. VISUAL DEFECTS SHALL MEET COSMETIC STANDARD PS-45499-002 (Class B).
- g. LASER MARKING:
- PART NUMBER
 - DAY OF THE YEAR
 - SHIFT
 - YEAR
- FOR ADDITIONAL INFORMATION SEE SECTION 5 UNDER PROCEDURES IN ES-34735-008.

MATING CONNECTOR DRAWINGS	
DESCRIPTION	MOLEX INLINE
1X2	SD-33471-0001
1X6	SD-33471-0001



1X2

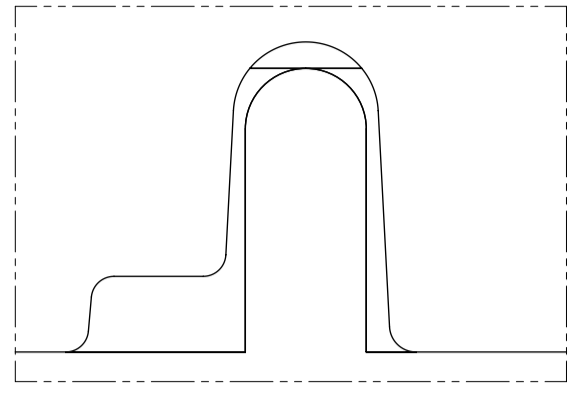


1X6

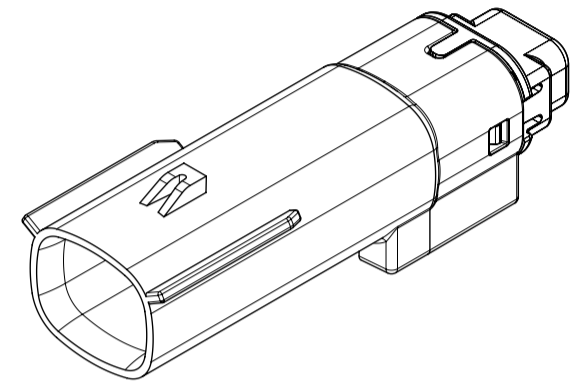
INSPECTION NUMBER LOG	
LAST NUMBER: 9	ADDED:
REMOVED:	REV
A1	NX REMASTERING , CHANGE PS DRAWING NUMBER FROM PS-160105-0001 TO PS-160074-0001 IN NOTES 1.b
A	MINOR GEOMETRY CHANGE FOR UL V0
2	UPDATED VIEWSETS
1	INITIAL RELEASE
REV	REV DESCRIPTION

SYMBOLS = 0 = 0 = 0 = 0 = 0 = 0 = 0 = 0 = 0	THIS DRAWING CONTAINS INFORMATION THAT IS PROPRIETARY TO MOLEX ELECTRONIC TECHNOLOGIES, LLC AND SHOULD NOT BE USED WITHOUT WRITTEN PERMISSION DIMENSION UNITS: MM ONLY SCALE: 1.5:1	CURRENT REV DESC: EC NO: 602373 DRWN: DSHETTY01 2018/05/25 CHK'D: MVANSLAMBROU 2018/10/04 APPR: MVANSLAMBROU 2018/10/04 INITIAL REVISION: DRWN: APROFFITT 2015/07/21 APPR: KDEKOSKI 2016/06/14	 MX150 BLADE SINGLE ROW SEALED ASSY MAT SEAL PRODUCT CUSTOMER DRAWING	
	GENERAL TOLERANCES (UNLESS SPECIFIED) ANGULAR TOL ± 1.0° 4 PLACES ± 3 PLACES ± 2 PLACES ± 0.1 1 PLACE ± 0.2 0 PLACES ±	DRAFT WHERE APPLICABLE MUST REMAIN WITHIN DIMENSIONS THIRD ANGLE PROJECTION DRAWING: A1-SIZE SERIES: 33481	DOCUMENT NUMBER: SD-33481-0001 DOC TYPE: PSD DOC PART: 001 REVISION: A1	MATERIAL NUMBER: SEE NOTE 2a. CUSTOMER: GENERAL MARKET SHEET NUMBER: 1 OF 9
	DOCUMENT STATUS: P1 RELEASE DATE: 2018/10/04 15:02:02	MOLEX ELECTRONIC TECHNOLOGIES, LLC		
	18 17 16 15 14 13 12 11 10 9 8 7 6 5 4 3 2 1			

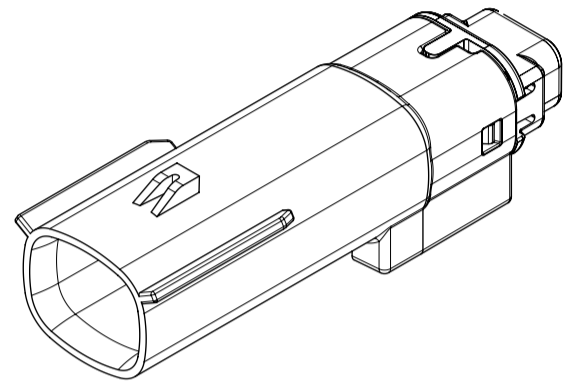
SHEET DESCRIPTION
CONFIGURATIONS



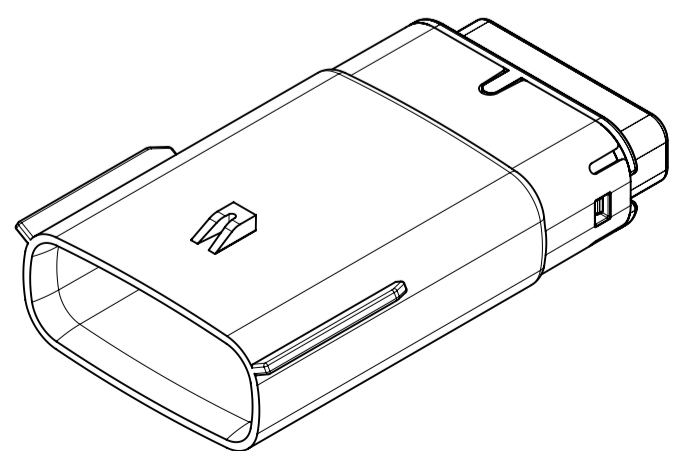
UL V0 UNIQUE FEATURE
Partial1
SCALE 10:1



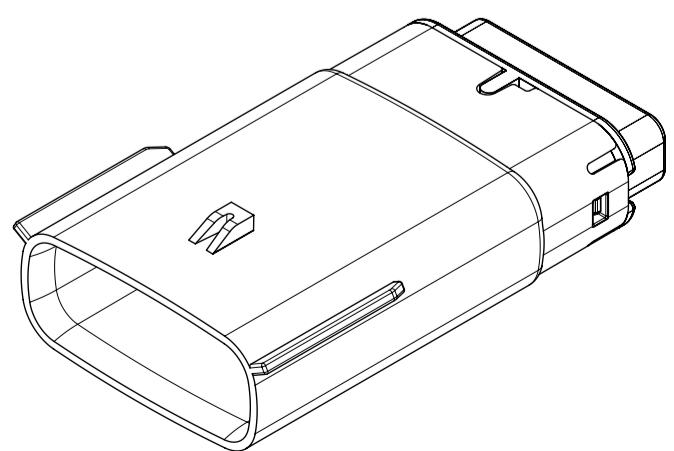
1x2 - STD



1X2 - UL V0*



1x6 - STD

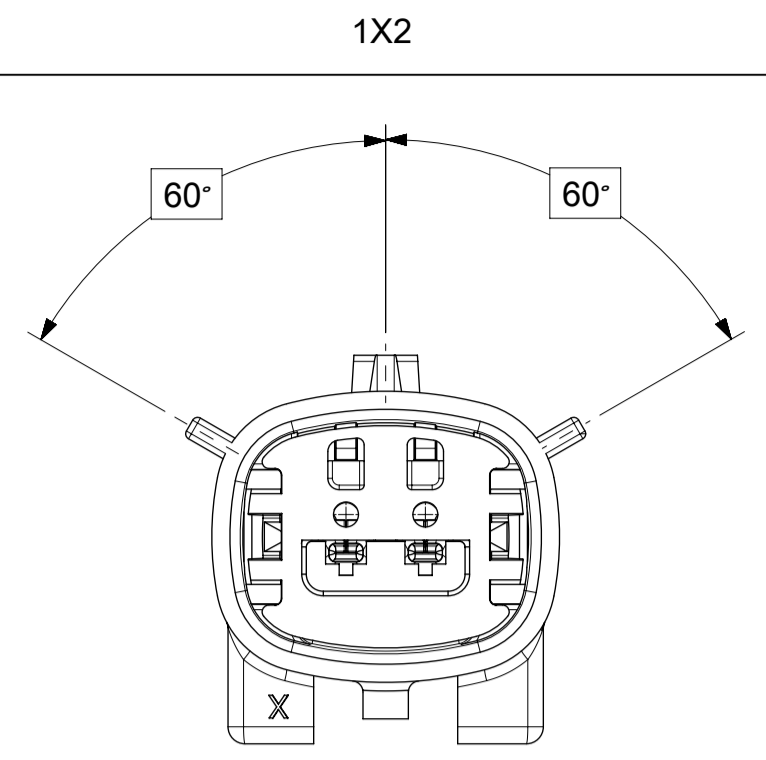


1x6 - UL V0*

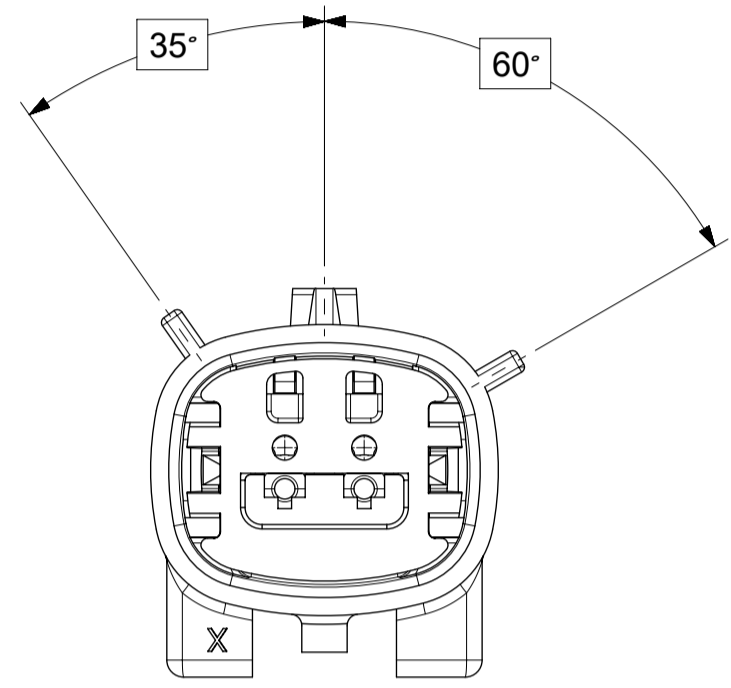
* MINOR GEOMETRY DIFFERENCE THAN STANDARD CONFIGURATION.
SEE NOTES 1 & 2 FOR MORE INFORMATION

SYMBOLS	THIS DRAWING CONTAINS INFORMATION THAT IS PROPRIETARY TO MOLEX ELECTRONIC TECHNOLOGIES, LLC AND SHOULD NOT BE USED WITHOUT WRITTEN PERMISSION		CURRENT REV DESC:						
	DIMENSION UNITS	SCALE							EC NO: 602373
▽ = 0	MM ONLY	1.5:1	GENERAL TOLERANCES (UNLESS SPECIFIED)	DRWN: MVANSLAMBROU	2018/10/04	SD-33481-0001	PSD	001	A1
▽ = 0	ANGULAR TOL	± 1.0°	4 PLACES ±	APPR: MVANSLAMBROU	2018/10/04				
▽ = 0			3 PLACES ±	INITIAL REVISION:		MATERIAL NUMBER	CUSTOMER	SHEET NUMBER	
▽ = 0			2 PLACES ± 0.1	DRWN: APROFFITT	2015/07/21	SEE NOTE 2a.	GENERAL MARKET	2 OF 9	
▽ = 0			1 PLACE ± 0.2	APPR: KDEKOSKI	2016/06/14				
▽ = 0			0 PLACES ±	DRAFT WHERE APPLICABLE MUST REMAIN WITHIN DIMENSIONS	THIRD ANGLE PROJECTION	DRAWING	SERIES		
▽ = 0						A1-SIZE	33481		

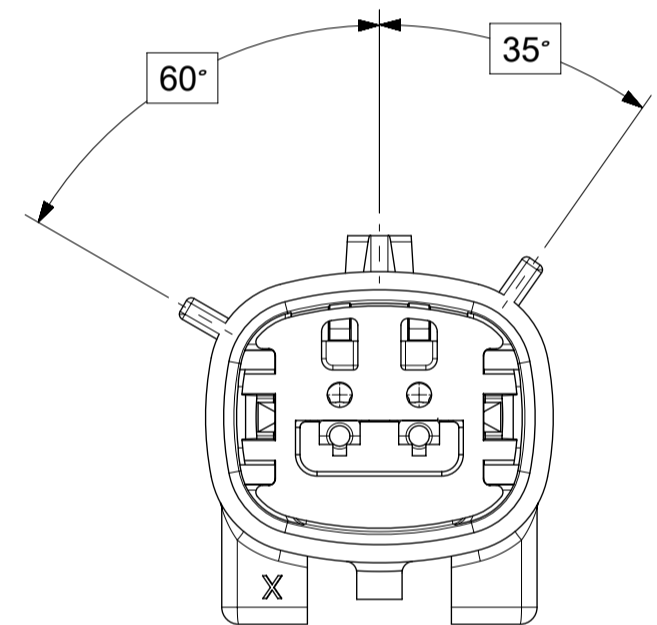
SHEET DESCRIPTION
KEY CONFIGURATIONS



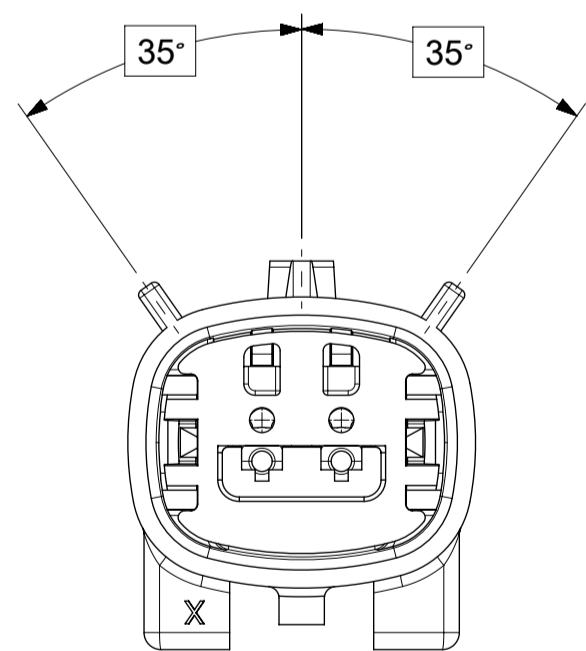
KEY A



KEY B



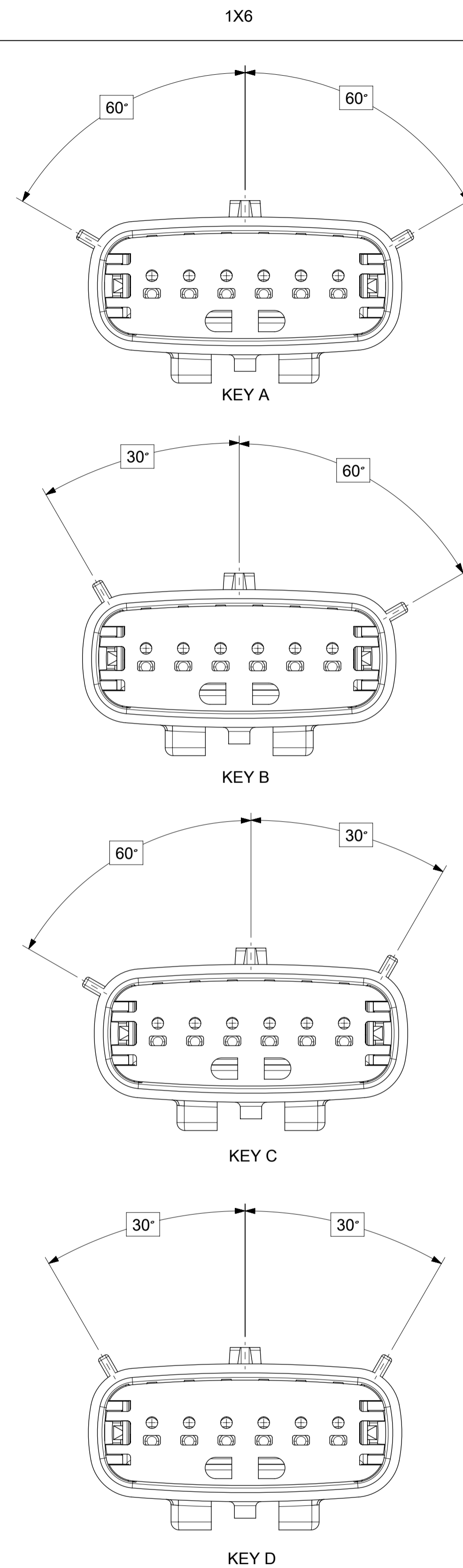
KEY C



KEY D

SYMBOLS = 0 = 0 = 0 = 0 = 0 = 0 = 0 = 0	THIS DRAWING CONTAINS INFORMATION THAT IS PROPRIETARY TO MOLEX ELECTRONIC TECHNOLOGIES, LLC AND SHOULD NOT BE USED WITHOUT WRITTEN PERMISSION DIMENSION UNITS: MM ONLY SCALE: 3:1	CURRENT REV DESC: EC NO: 602373 DRWN: DSHETTY01 2018/05/25 CHK'D: MVANSLAMBROU 2018/10/04 APPR: MVANSLAMBROU 2018/10/04	 MX150 BLADE SINGLE ROW SEALED ASSY MAT SEAL		
	GENERAL TOLERANCES (UNLESS SPECIFIED) ANGULAR TOL ± 1.0° 4 PLACES ± 3 PLACES ± 2 PLACES ± 0.1 1 PLACE ± 0.2 0 PLACES ±				
DRAFT WHERE APPLICABLE MUST REMAIN WITHIN DIMENSIONS 	THIRD ANGLE PROJECTION 	DRAWING: A1-SIZE SERIES: 33481	MATERIAL NUMBER: SEE NOTE 2a. CUSTOMER: GENERAL MARKET	SHEET NUMBER: 3 OF 9	

SHEET DESCRIPTION
KEY CONFIGURATIONS CONT.

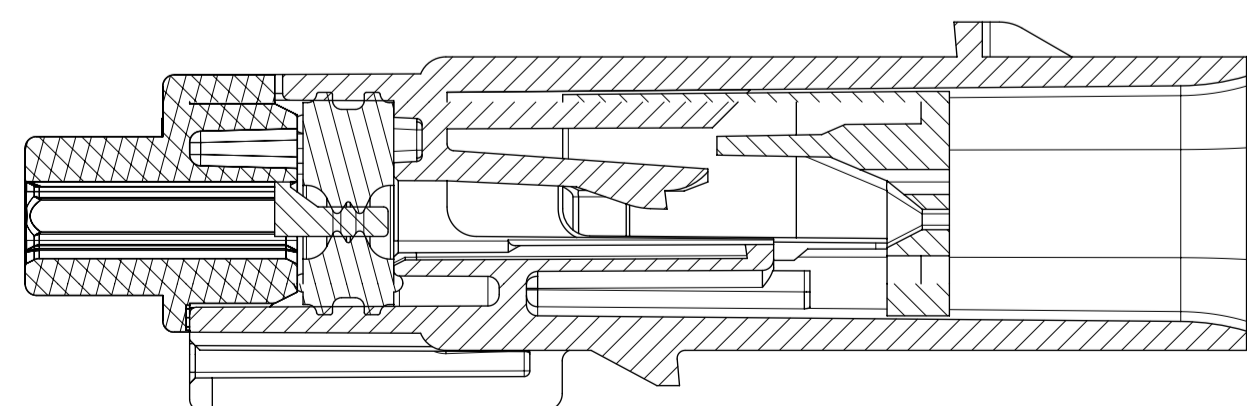
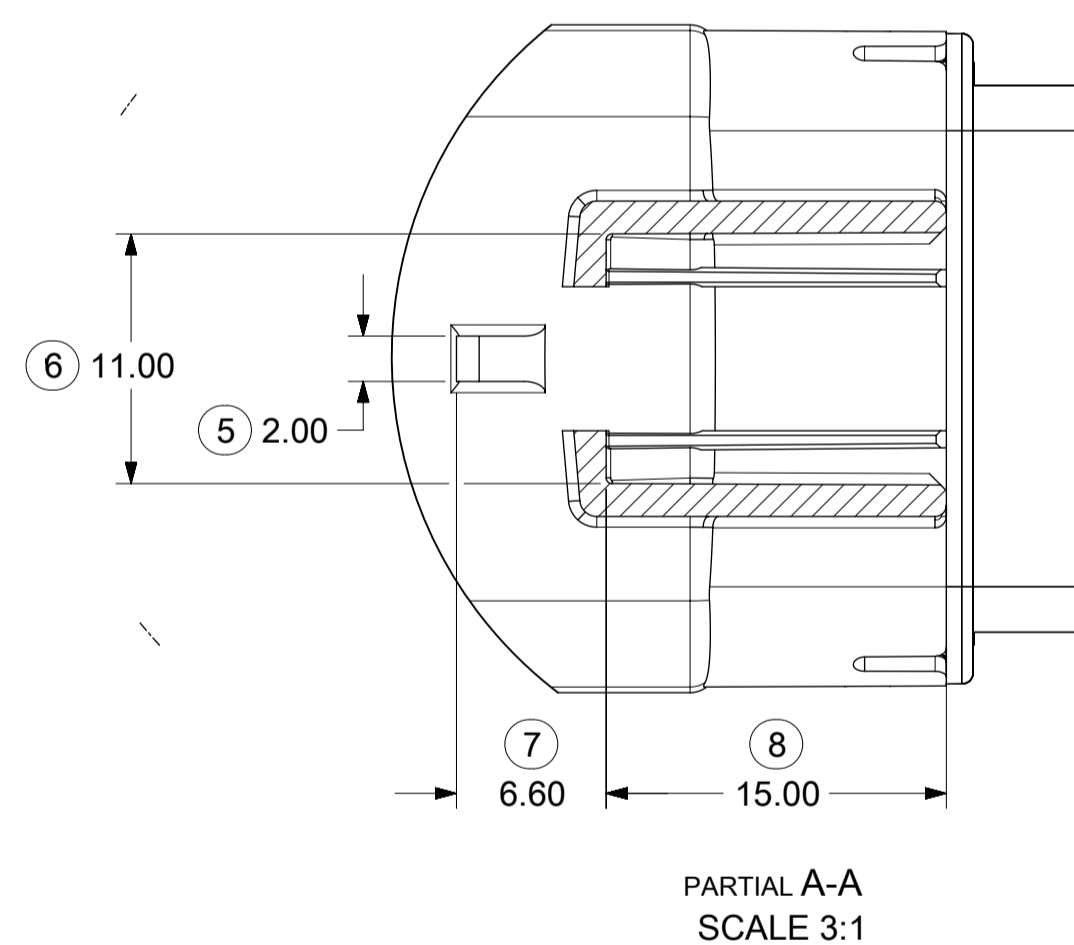
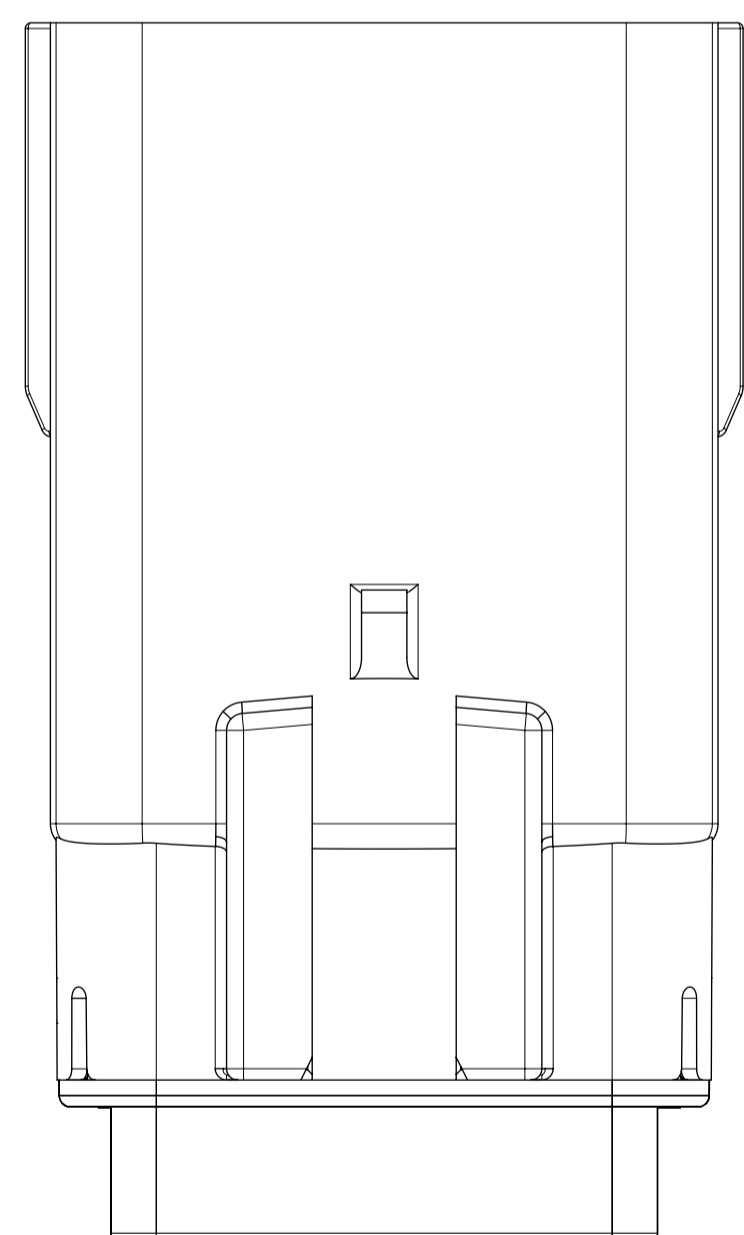
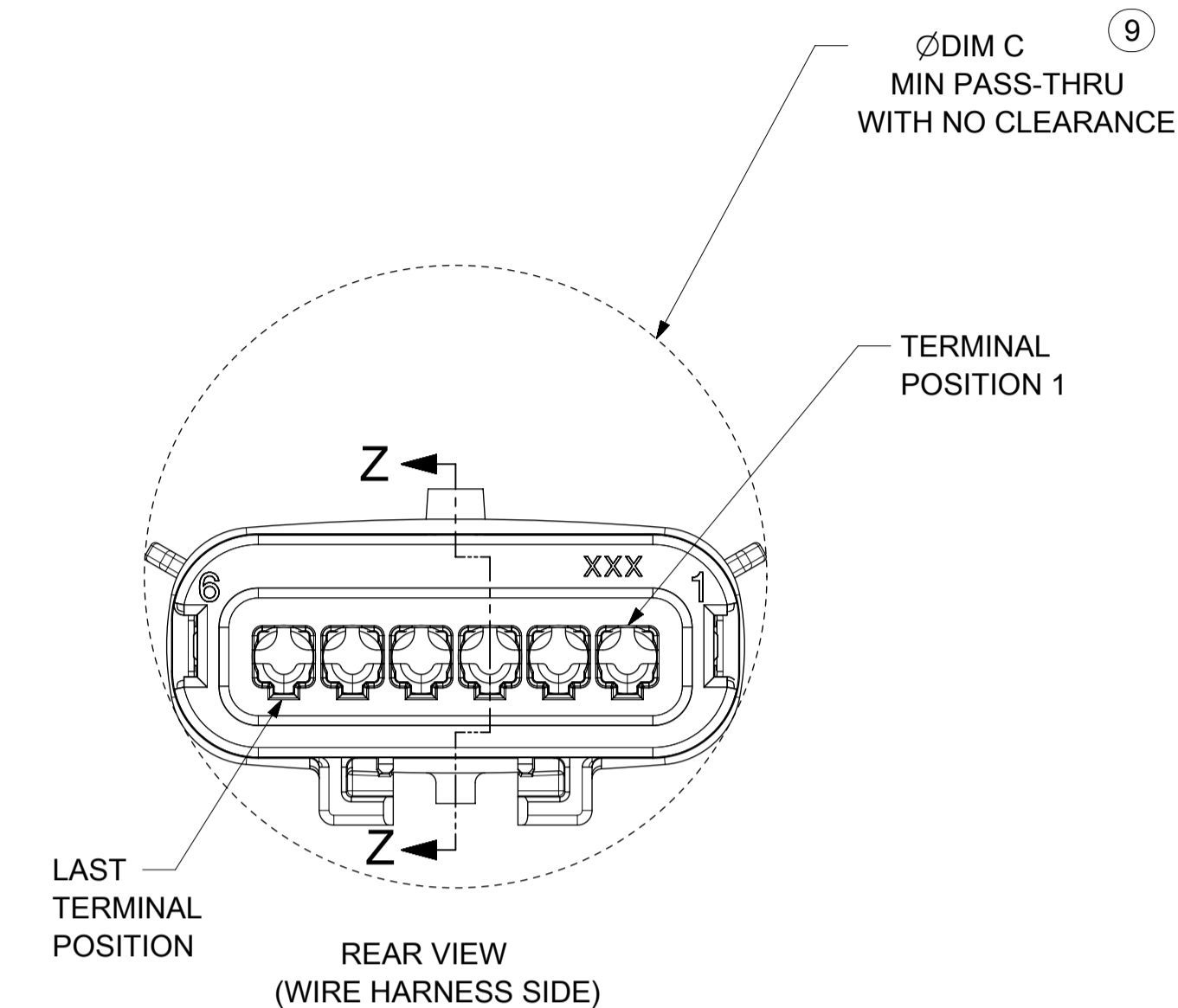
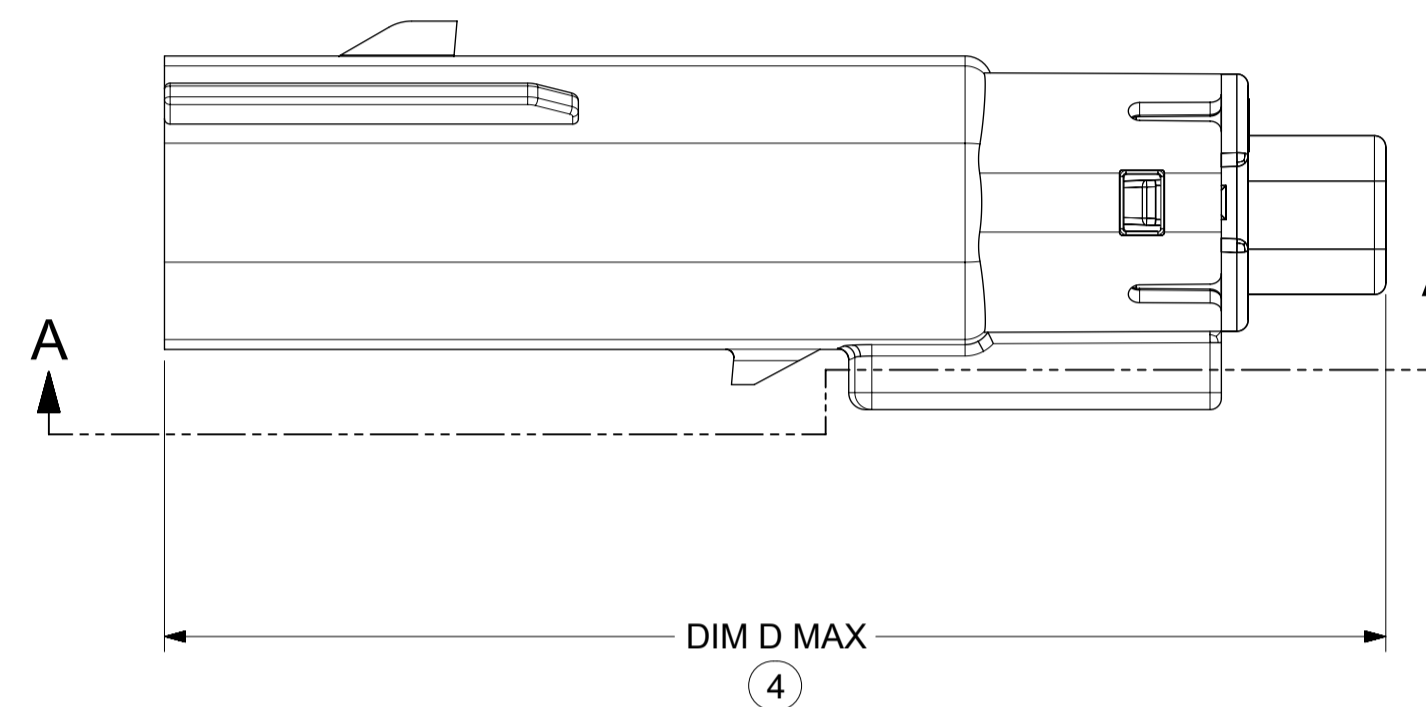
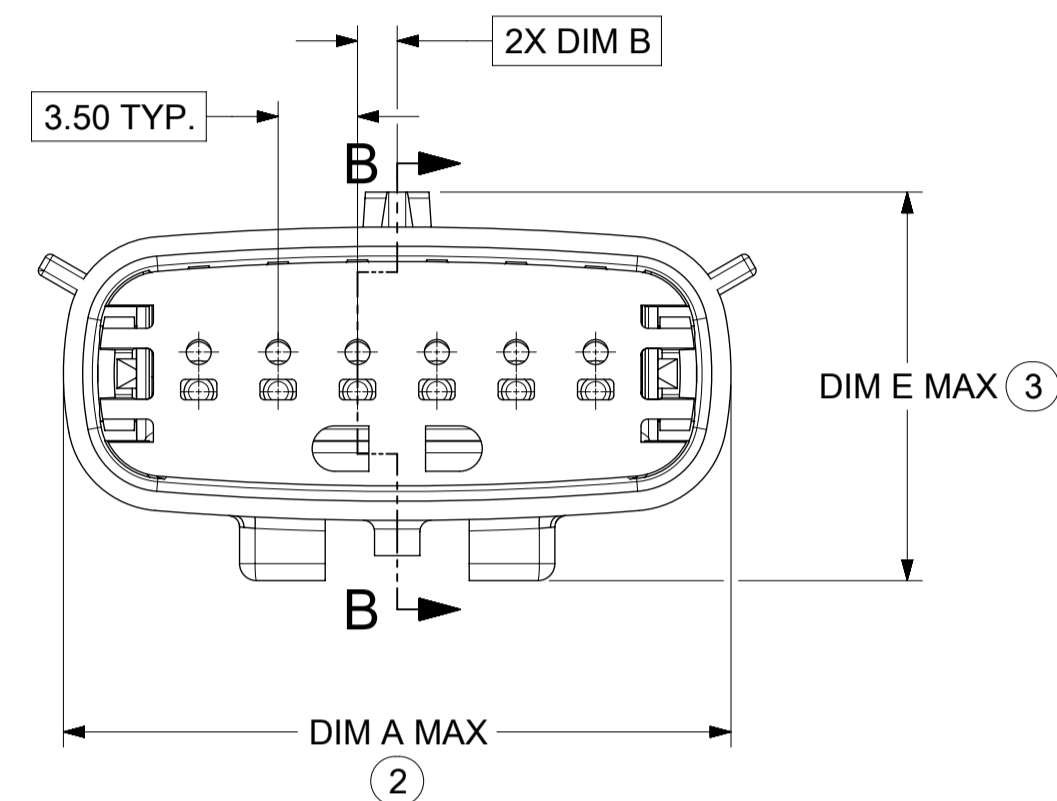
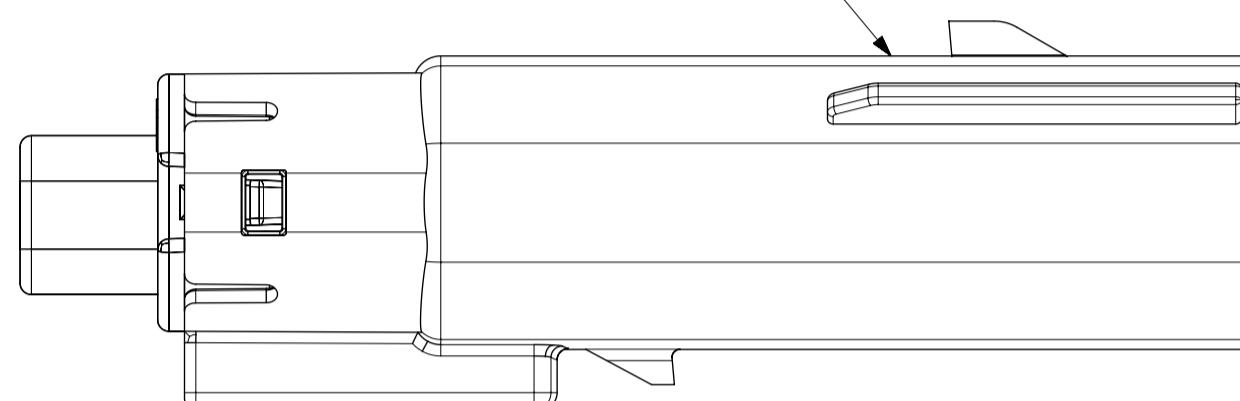


SYMBOLS = 0 = 0 = 0 = 0 = 0 = 0 = 0 = 0 = 0	THIS DRAWING CONTAINS INFORMATION THAT IS PROPRIETARY TO MOLEX ELECTRONIC TECHNOLOGIES, LLC AND SHOULD NOT BE USED WITHOUT WRITTEN PERMISSION DIMENSION UNITS: MM ONLY SCALE: 3:1	CURRENT REV DESC: EC NO: 602373 DRWN: DSHETTY01 2018/05/25 CHK'D: MVANSLAMBROU 2018/10/04 APPR: MVANSLAMBROU 2018/10/04	 MX150 BLADE SINGLE ROW SEALED ASSY MAT SEAL		
	GENERAL TOLERANCES (UNLESS SPECIFIED) ANGULAR TOL ± 1.0° 4 PLACES ± 3 PLACES ± 2 PLACES ± 0.1 1 PLACE ± 0.2 0 PLACES ±	INITIAL REVISION: DRWN: APROFFITT 2015/07/21 APPR: KDEKOSKI 2016/06/14	PRODUCT CUSTOMER DRAWING DOCUMENT NUMBER: SD-33481-0001 DOC TYPE: PSD DOC PART: 001 REVISION: A1	MATERIAL NUMBER: SEE NOTE 2a. CUSTOMER: GENERAL MARKET SHEET NUMBER: 4 OF 9	
DRAFT WHERE APPLICABLE MUST REMAIN WITHIN DIMENSIONS 	THIRD ANGLE PROJECTION 	DRAWING: A1-SIZE SERIES: 33481			

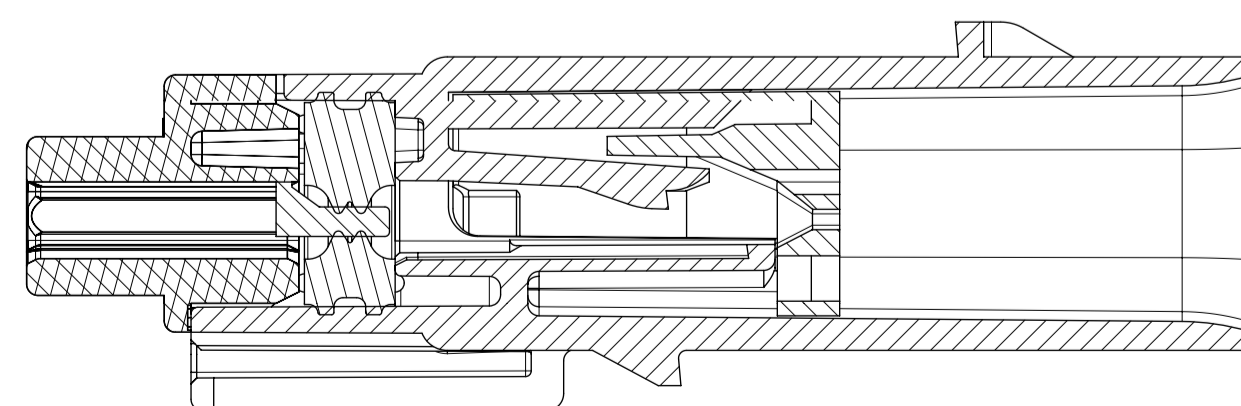
SHEET DESCRIPTION
BLADE SEALED ASSEMBLY

DESCRIPTION	DIMENSIONS				
	A	B	C	D	E
1X2	N/A	1.75	21.00	55.50	17.30
1X6	29.69	1.75	31.71	54.45	17.23

OPTIONAL LASER MARKING ON THIS SURFACE SEE NOTE 3g.



PRIMARY LOCK REINFORCEMENT (PLR) SHOWN
IN PRE-STAGED POSITION
SECTION B-B

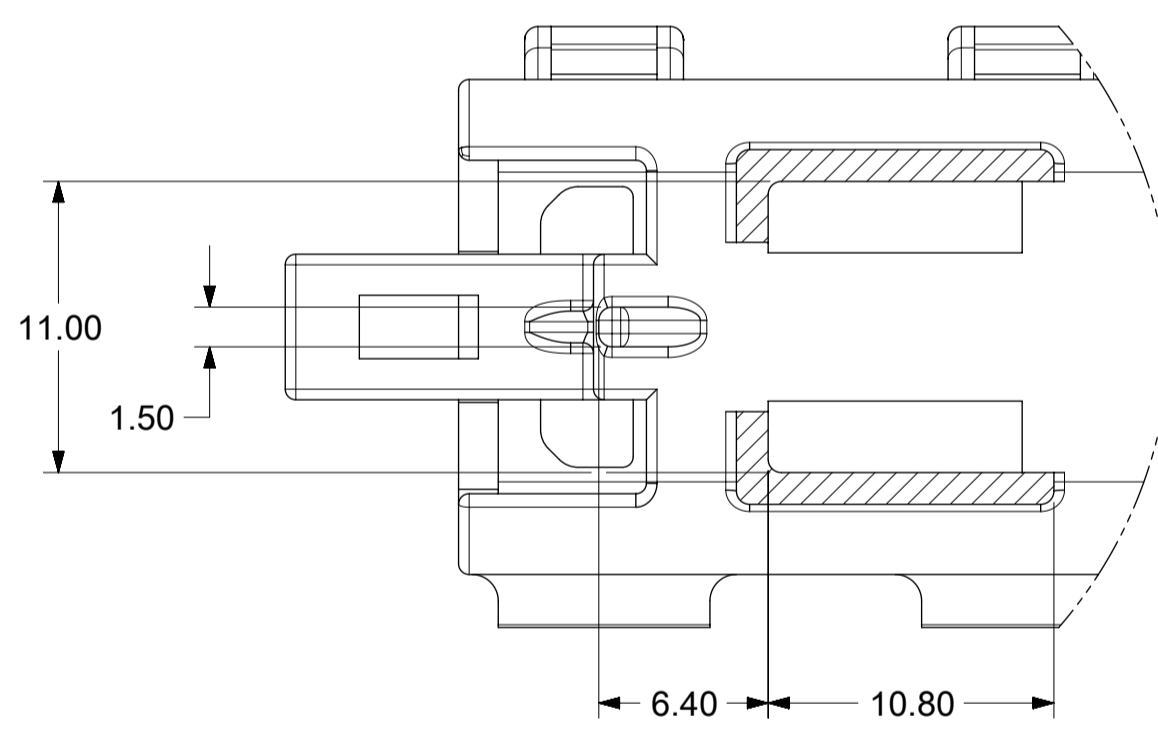
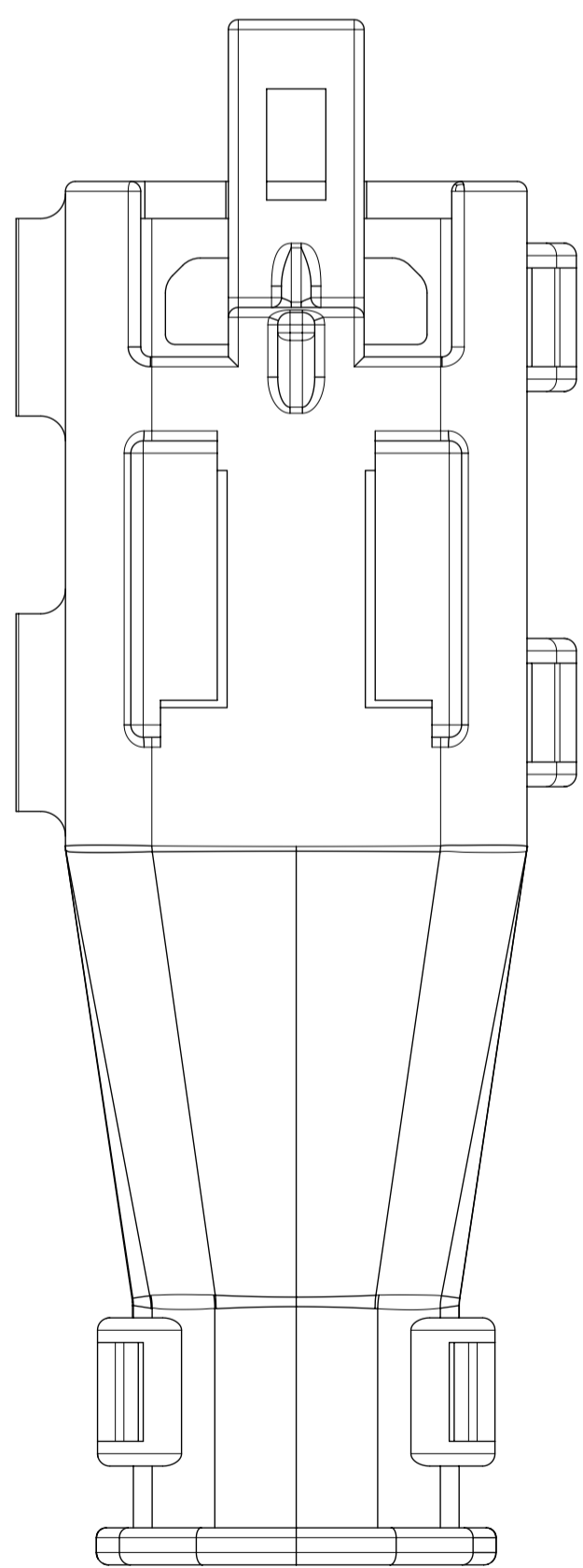
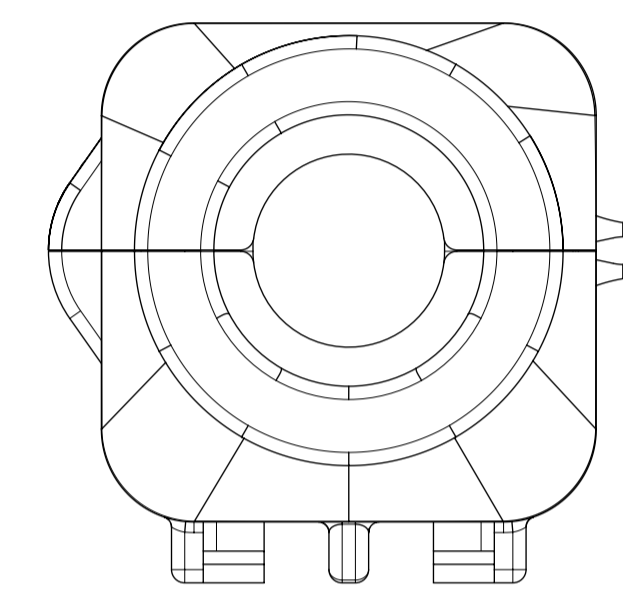
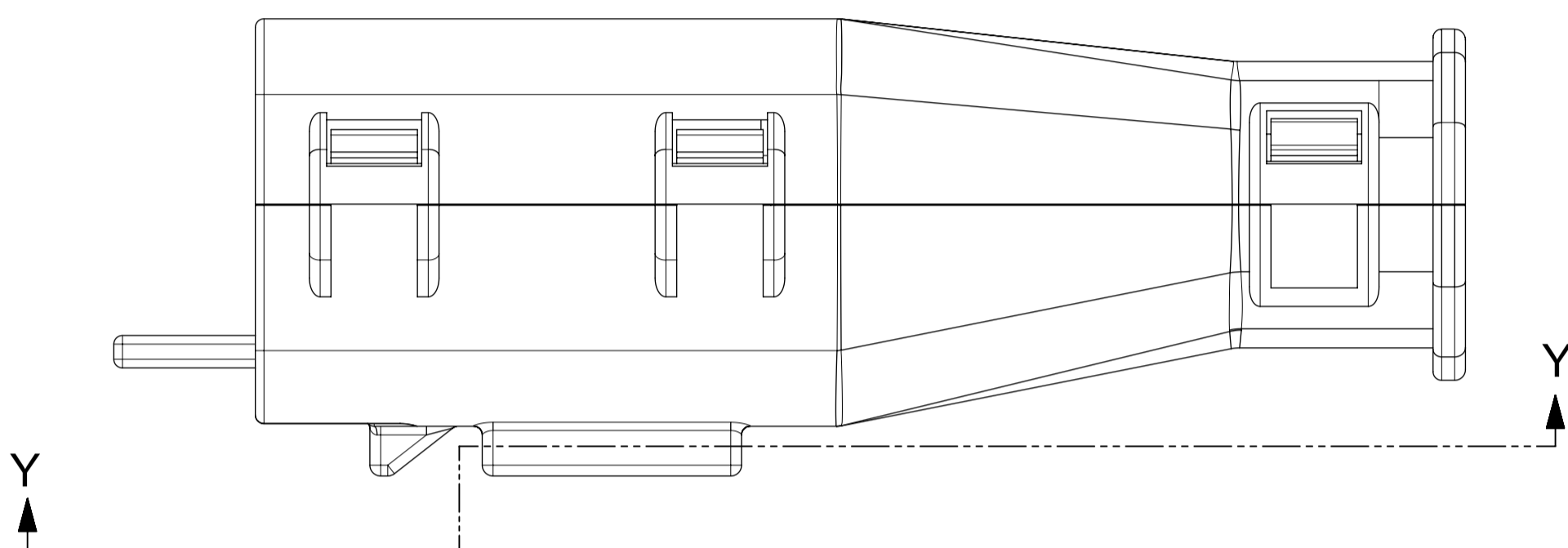
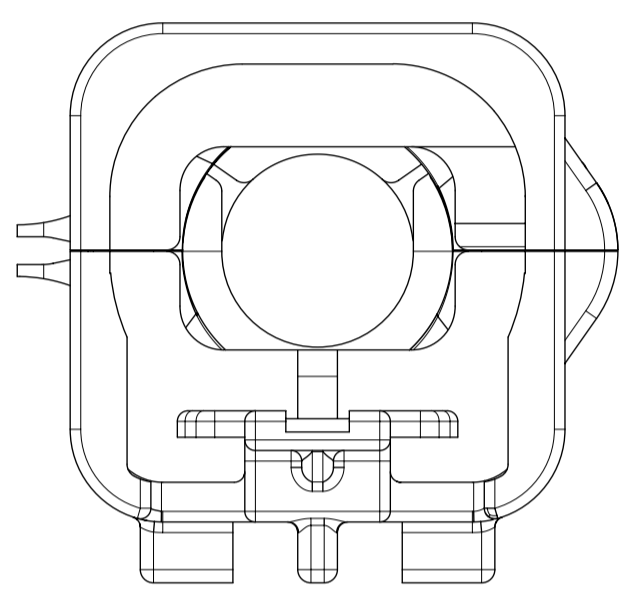
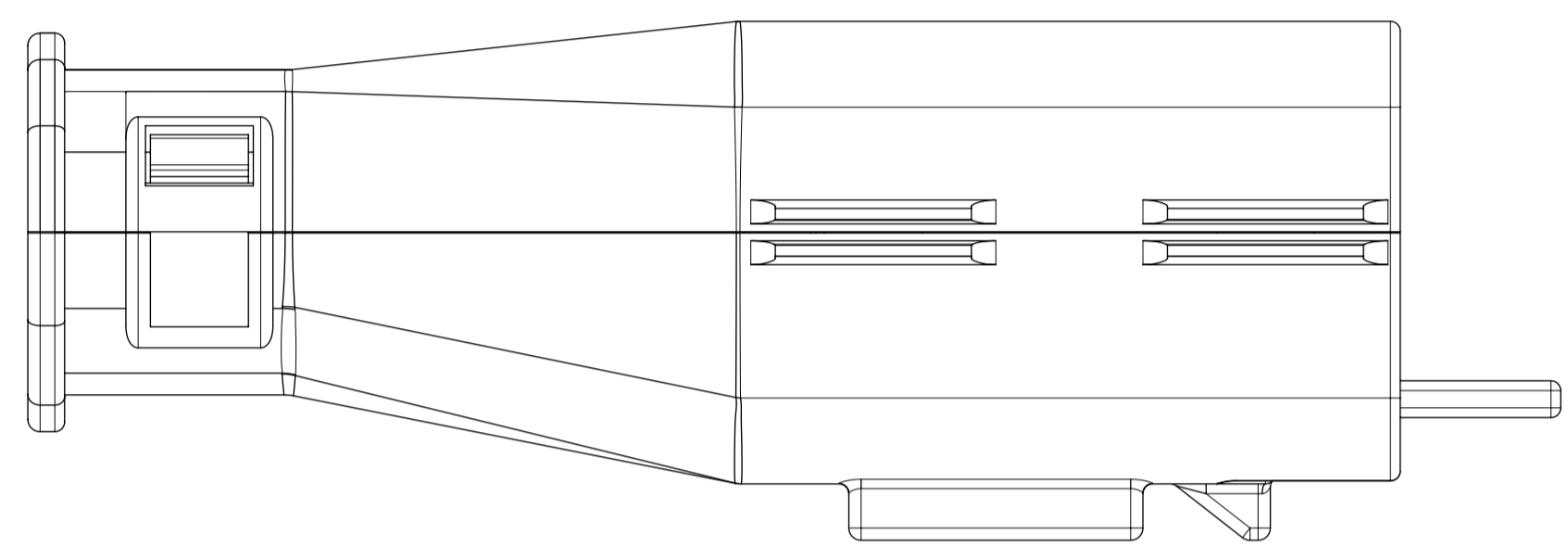


PRIMARY LOCK REINFORCEMENT (PLR) SHOWN
IN FINAL-LOCK POSITION
SECTION Z-Z

SYMBOLS		THIS DRAWING CONTAINS INFORMATION THAT IS PROPRIETARY TO MOLEX ELECTRONIC TECHNOLOGIES, LLC AND SHOULD NOT BE USED WITHOUT WRITTEN PERMISSION		CURRENT REV DESC:		molex	
▽ = 0	DIMENSION UNITS	MM ONLY	SCALE 3:1	EC NO: 602373		MX150 BLADE	
▽ = 0	GENERAL TOLERANCES (UNLESS SPECIFIED)			DRWN: DSHETTY01 2018/05/25		SINGLE ROW SEALED ASSY MAT SEAL	
▽ = 0	ANGULAR TOL	± 1.0°		CHK'D: MVANSLAMBROU 2018/10/04		PRODUCT CUSTOMER DRAWING	
▽ = 0	4 PLACES	±		APPR: MVANSLAMBROU 2018/10/04		DOCUMENT NUMBER	
▽ = 0	3 PLACES	±		INITIAL REVISION:		DOC TYPE DOC PART REVISION	
▽ = 0	2 PLACES	± 0.1		DRWN: APROFFITT 2015/07/21		SD-33481-0001	
▽ = 0	1 PLACE	± 0.2		APPR: KDEKOSKI 2016/06/14		PSD 001 A1	
▽ = 0	0 PLACES	±		THIRD ANGLE PROJECTION		MATERIAL NUMBER	
▽ = 0	DRAFT WHERE APPLICABLE MUST REMAIN WITHIN DIMENSIONS			DRAWING A1-SIZE		CUSTOMER	
▽ = 0				SERIES 33481		SEE NOTE 2a. GENERAL MARKET	
						SHEET NUMBER 5 OF 9	

SHEET DESCRIPTION

BACKSHELL

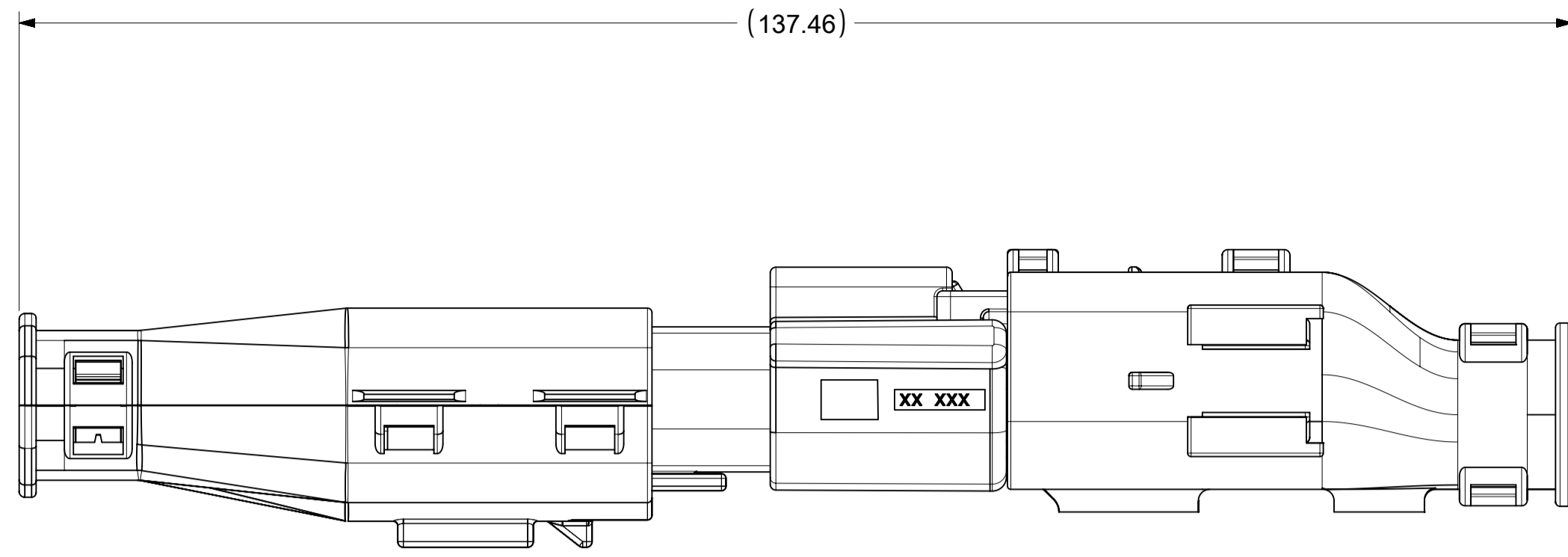


PARTIAL Y-Y
SCALE 3.5:1

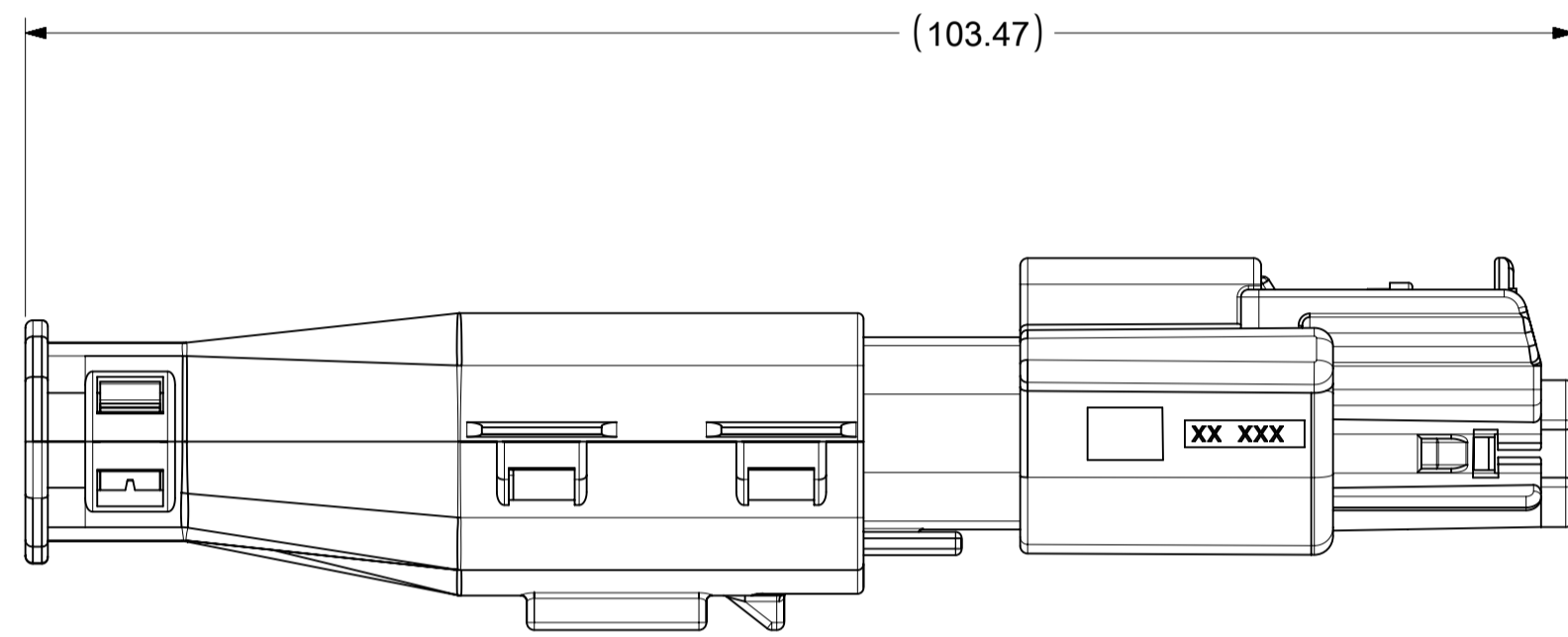
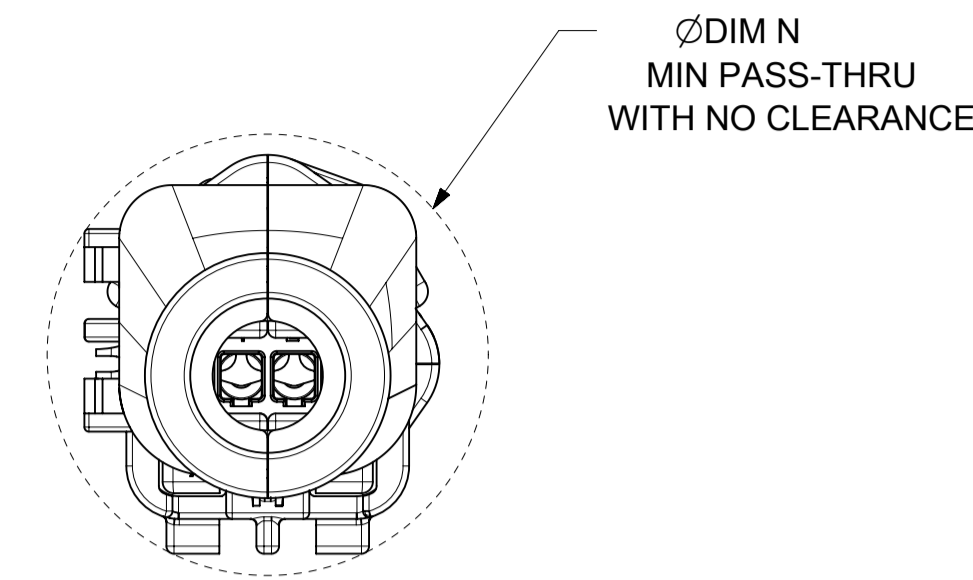
SYMBOLS = 0 = 0 = 0 = 0 = 0 = 0 = 0 = 0	THIS DRAWING CONTAINS INFORMATION THAT IS PROPRIETARY TO MOLEX ELECTRONIC TECHNOLOGIES, LLC AND SHOULD NOT BE USED WITHOUT WRITTEN PERMISSION DIMENSION UNITS: MM ONLY SCALE: 3.5:1	CURRENT REV DESC: EC NO: 602373 DRWN: DSHETTY01 2018/05/25 CHK'D: MVANSLAMBROU 2018/10/04 APPR: MVANSLAMBROU 2018/10/04							
	GENERAL TOLERANCES (UNLESS SPECIFIED) ANGULAR TOL ± 1.0°		INITIAL REVISION: DRWN: APROFFITT 2015/07/21 APPR: KDEKOSKI 2016/06/14		DOCUMENT NUMBER	DOC TYPE	DOC PART	REVISION	
	4 PLACES ± 3 PLACES ± 2 PLACES ± 0.1 1 PLACE ± 0.2 0 PLACES ±	DRAFT WHERE APPLICABLE MUST REMAIN WITHIN DIMENSIONS		THIRD ANGLE PROJECTION	DRAWING	SERIES	MATERIAL NUMBER	CUSTOMER	SHEET NUMBER
					A1-SIZE	33481	SEE NOTE 2a.	GENERAL MARKET	8 OF 9
							SD-33481-0001	PSD 001	A1

SHEET DESCRIPTION
BACKSHELL CONFIGURATIONS

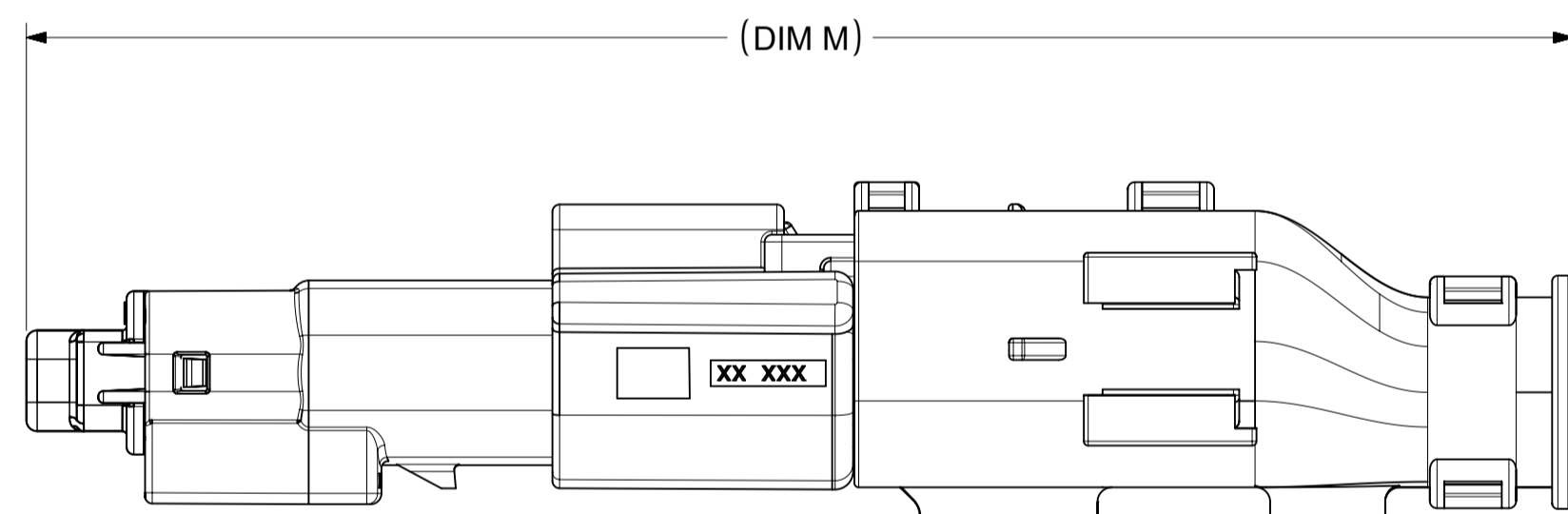
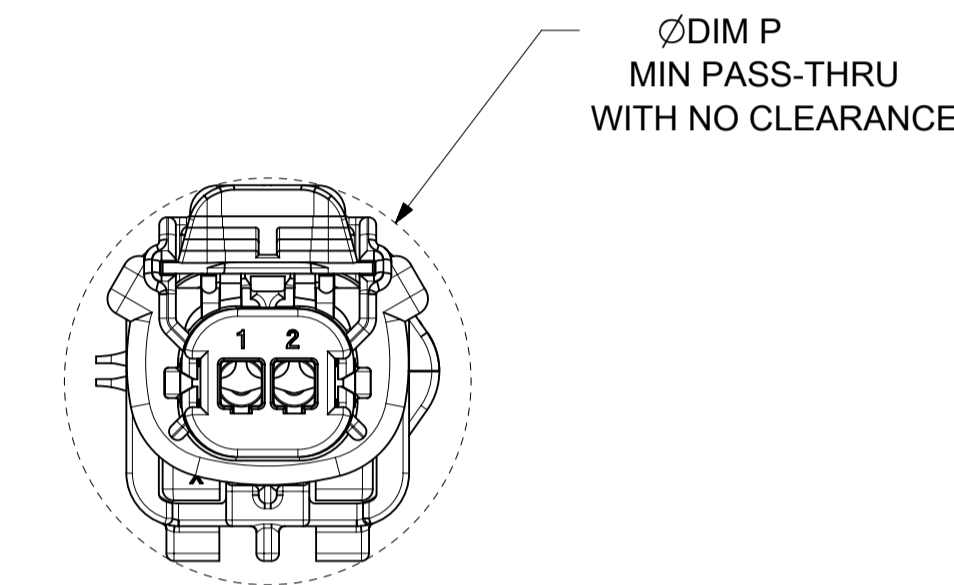
CKT	BLADE CONFIGURATION	RECEPTACLE CONFIGURATION	DIMENSIONS				
			M	N	P	R	S
1X2	STANDARD	STANDARD	107.84	29.50	27.00	26.25	25.00



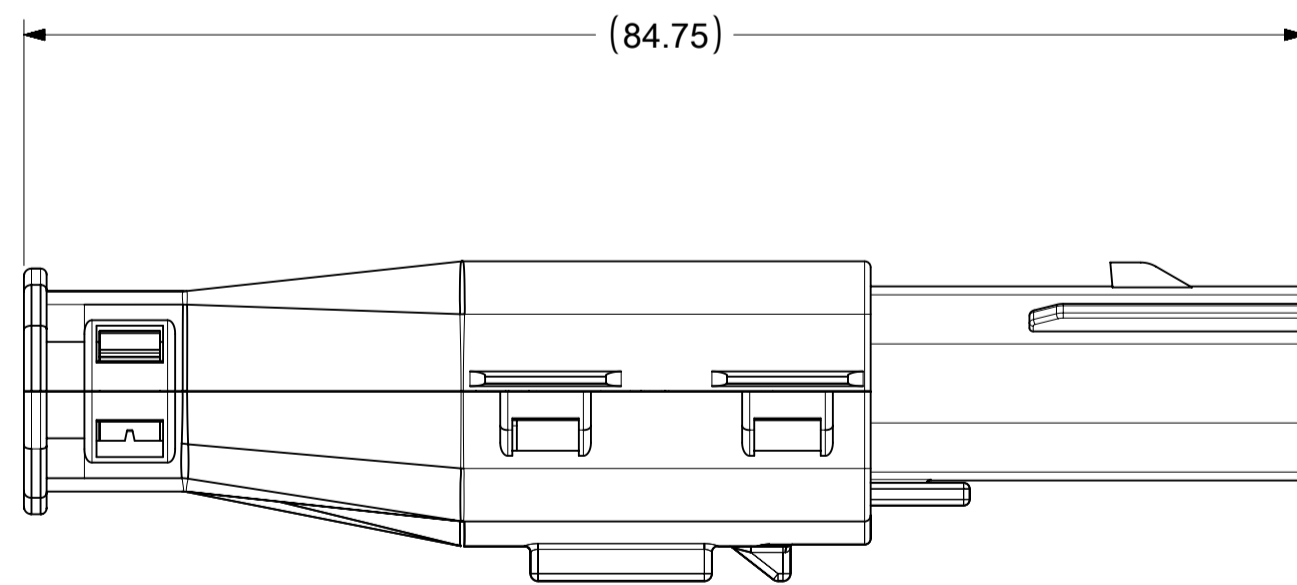
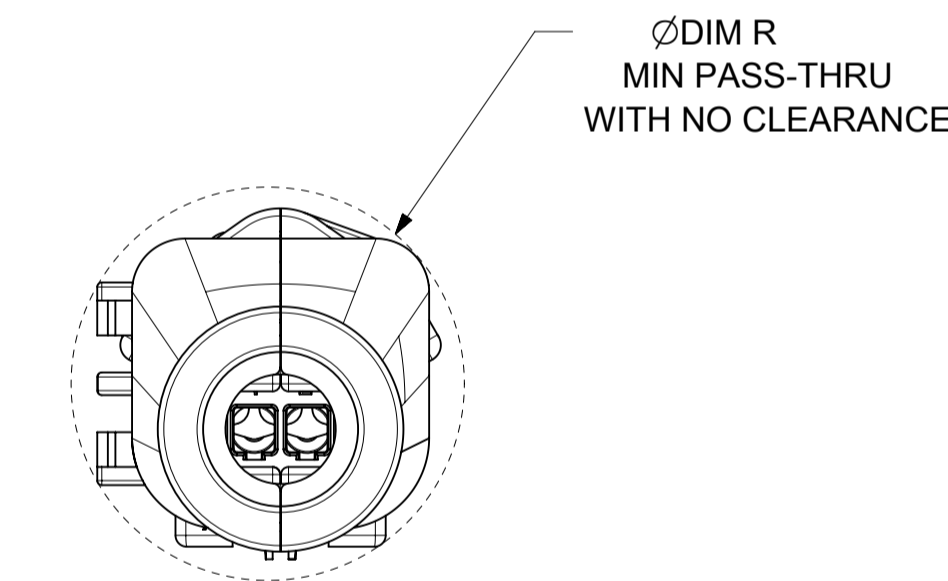
OVERALL MATED SYSTEM WITH BLADE AND RECEPTACLE BACKSHELL



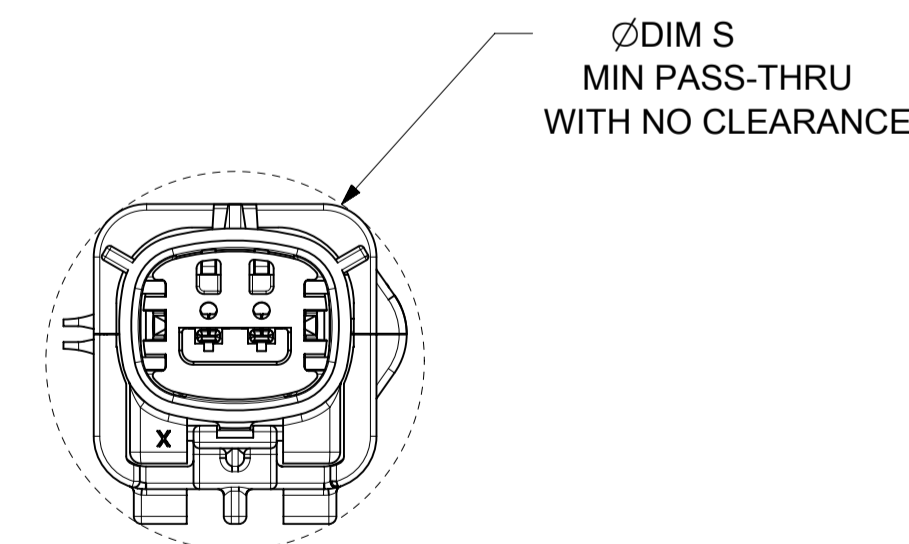
OVERALL MATED SYSTEM WITH BLADE BACKSHELL



OVERALL MATED SYSTEM WITH RECEPTACLE BACKSHELL



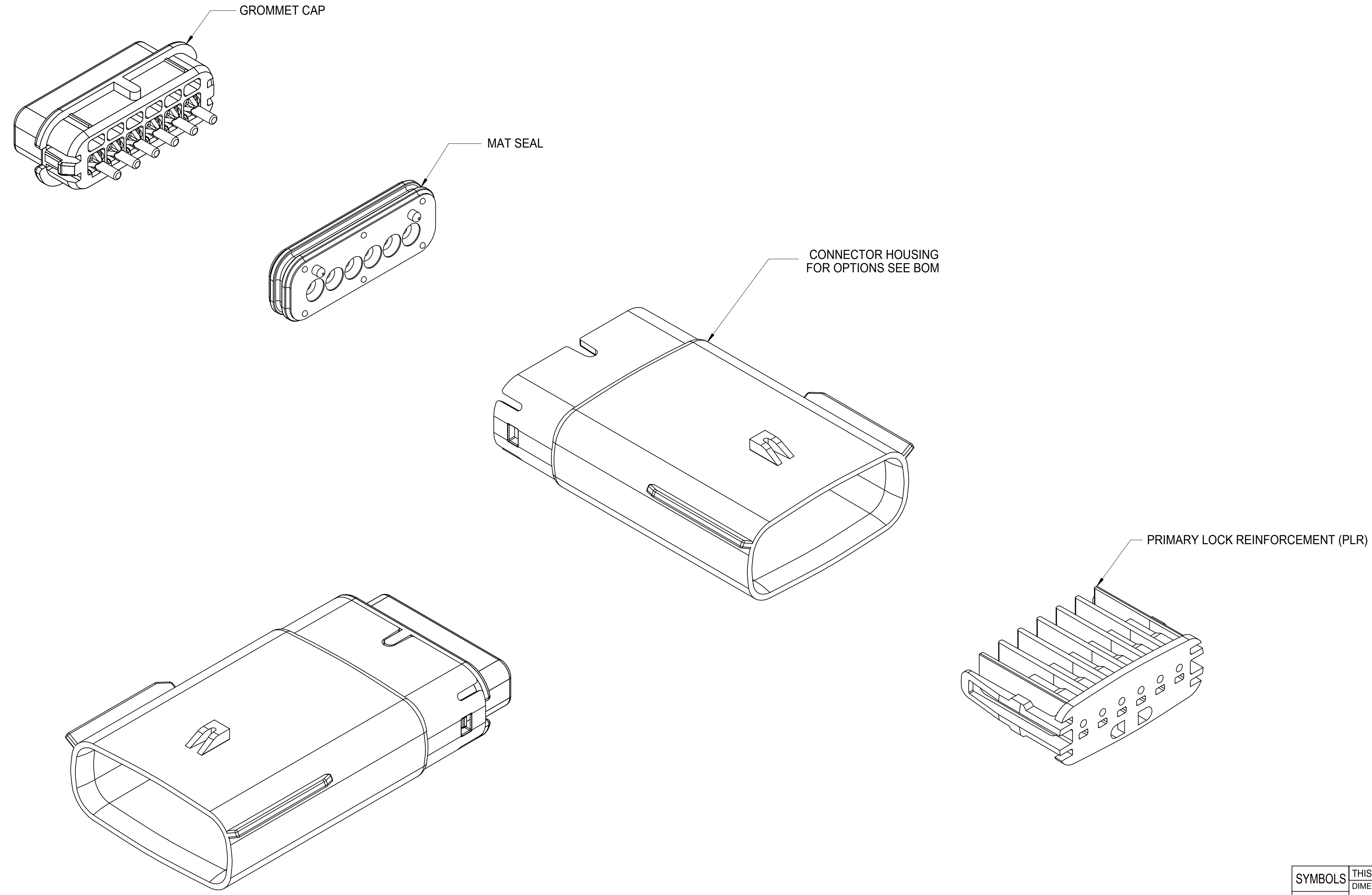
BLADE SEALED ASSEMBLY WITH BLADE BACKSHELL



SYMBOLS = 0 = 0 = 0 = 0 = 0 = 0 = 0 = 0 = 0 = 0	THIS DRAWING CONTAINS INFORMATION THAT IS PROPRIETARY TO MOLEX ELECTRONIC TECHNOLOGIES, LLC AND SHOULD NOT BE USED WITHOUT WRITTEN PERMISSION DIMENSION UNITS: MM ONLY SCALE: 2:1	CURRENT REV DESC: EC NO: 602373 DRWN: DSHETTY01 2018/05/25 CHK'D: MVANSLAMBROU 2018/10/04 APPR: MVANSLAMBROU 2018/10/04 INITIAL REVISION: DRWN: APROFFITT 2015/07/21 APPR: KDEKOSKI 2016/06/14	 MX150 BLADE SINGLE ROW SEALED ASSY MAT SEAL		
	GENERAL TOLERANCES (UNLESS SPECIFIED) ANGULAR TOL ± 1.0° 4 PLACES ± 3 PLACES ± 2 PLACES ± 0.1 1 PLACE ± 0.2 0 PLACES ±	DRAFT WHERE APPLICABLE MUST REMAIN WITHIN DIMENSIONS	THIRD ANGLE PROJECTION 	DRAWING: A1-SIZE SERIES: 33481	MATERIAL NUMBER: SEE NOTE 2a. CUSTOMER: GENERAL MARKET

DOCUMENT STATUS	P1	RELEASE DATE	2018/10/04	15:02:02
-----------------	----	--------------	------------	----------

SHEET NO.	SHEET DESCRIPTION
1	NOTES
2	KEY CONFIGURATIONS
3	BLADE SEALED ASSEMBLY
4	SYSTEM PACKAGING
5	BOM



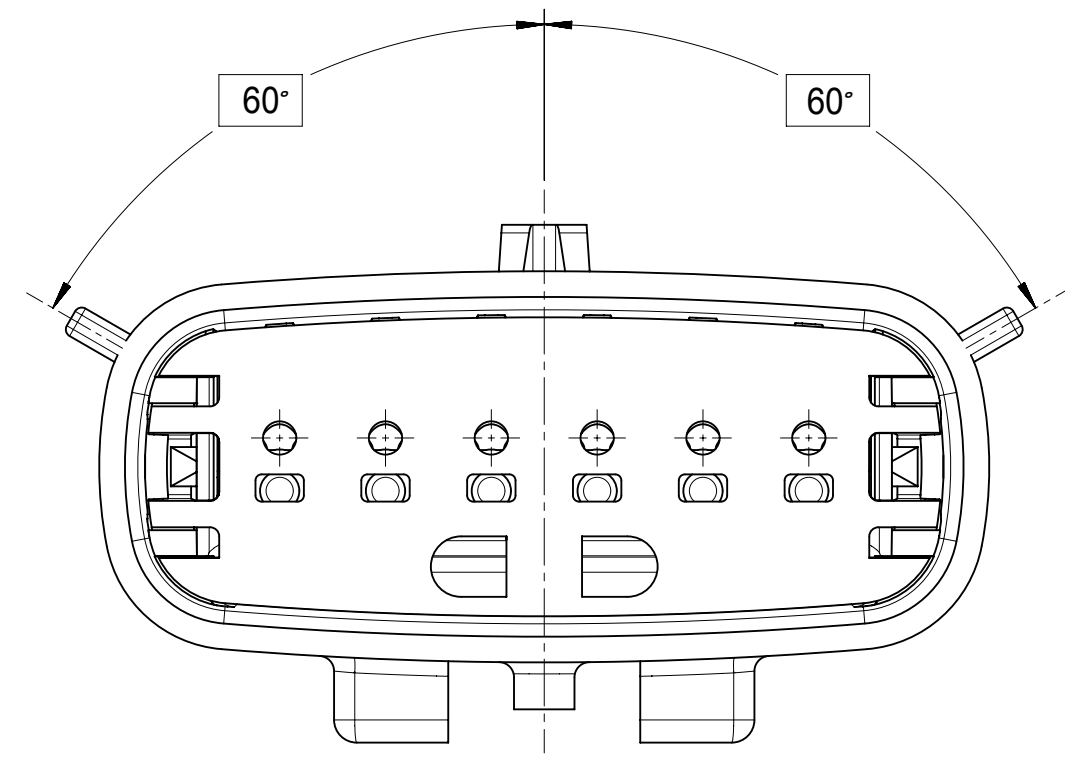
NOTES: VALID UNLESS OTHERWISE SPECIFIED

1. GENERAL:
 - a. APPLICATION SPECIFICATION SEE: AS-33472-100
CONTAINS: PRODUCT INTRODUCTION, PRODUCT SUMMARY, CONNECTOR ASSEMBLY, PACKAGING INFORMATION, CONNECTOR MATING, SERVICE INSTRUCTIONS, ELECTRICAL CONTINUITY CHECKING, CRIMPING, AND TROUBLESHOOTING.
-DESIGNED TO MATE WITH RECEPTACLE SEALED ASSEMBLY SPECIFIED IN MOLEX DRAWING SD-33471-061.
-FOR 1.5mm BLADE TERMINALS TO BE USED WITH THIS ASSEMBLY SEE MOLEX DRAWING SD-33000-001.
- SYSTEM TO BE USED WITH WIRE WITHIN DIAMETER RANGE OF 1.2mm TO 2.69mm.
-ASSEMBLY SHIPPED WITH PLR IN PRE-LOCK POSITION
-IN THE EVENT THAT THE PLR IS FOUND IN THE SEATED (FINAL LOCK) POSITION, REFER TO MOLEX SPECIFICATION PS-34646-001, AVAILABLE AT www.molex.com <<http://www.molex.com>>
-ASSEMBLY CONFORMS TO SAE/USCAR-2 REV.4 WITH THE FOLLOWING EXCEPTIONS:
TERMINAL INSERTION FORCE FOR WIRE DIAMETER ABOVE 2.5mm NOT EXCEEDING 2.69mm SHALL NOT EXCEED 45 NEWTONS.
 - b. PRODUCT SPECIFICATION SEE: PS-33471-000
CONTAINS: PRODUCT INTRODUCTION, PRODUCT SUMMARY, RATINGS (CURRENT, TEMPERATURE, SEALING, AND FLAMMABILITY), AND PRODUCT VALIDATION.
 - c. PACKAGING SPECIFICATION PER MOLEX DRAWING: PK-31300-635
 - d. PARTS MUST BE IN COMPLIANCE TO MOLEX CHEMICAL SUBSTANCES FOR PRODUCTS AND PACKAGING SPECIFICATION: ES-40000-5016
 - e. DATA MUST BE SUBMITTED UNDER THE MOLEX PART NUMBER TO IMDS (COMPANY ID#13255)
2. DESIGN - MATERIALS:
 - a. CONNECTOR HOUSING, GROMMET CAP, PLR: SPS/NYLON BLEND 20% GLASS FILLED
 - b. MAT SEAL: INHERENTLY LUBRICATED SILICONE
3. DESIGN - GEOMETRY:
 - a. THIS IS A 100% CAD GENERATED PART. THE CAD MATHEMATICAL DATA IS THE MASTER FOR THIS PART. FOR DIMENSIONAL OR ANY INFORMATION NOT SHOWN ON THIS DRAWING, ANALYZE THE CAD MODEL.
 - b. GEOMETRIC DIMENSIONS AND TOLERANCES PER ASME Y14.5M - 1994
 - c. EDGES AND UNDIMENSIONED DETAILS PER ISO13715
 - d. CORNERS SHOWN AS SHARP TO BE R 0.2 MAX.
 - e. LETTERING SHALL BE 0.15 MAX RAISED IN 0.25 MAX RECESS PAD. THIS INCLUDES RECYCLING CODE, CAVITY ID, VENDOR IDENTIFICATION, AND CUSTOMER MATERIAL NUMBER.
 - f. VISUAL DEFECTS SHALL MEET COSMETIC STANDARD PS-45499-002 (Class B)
 - g. LASER MARKING: TBD

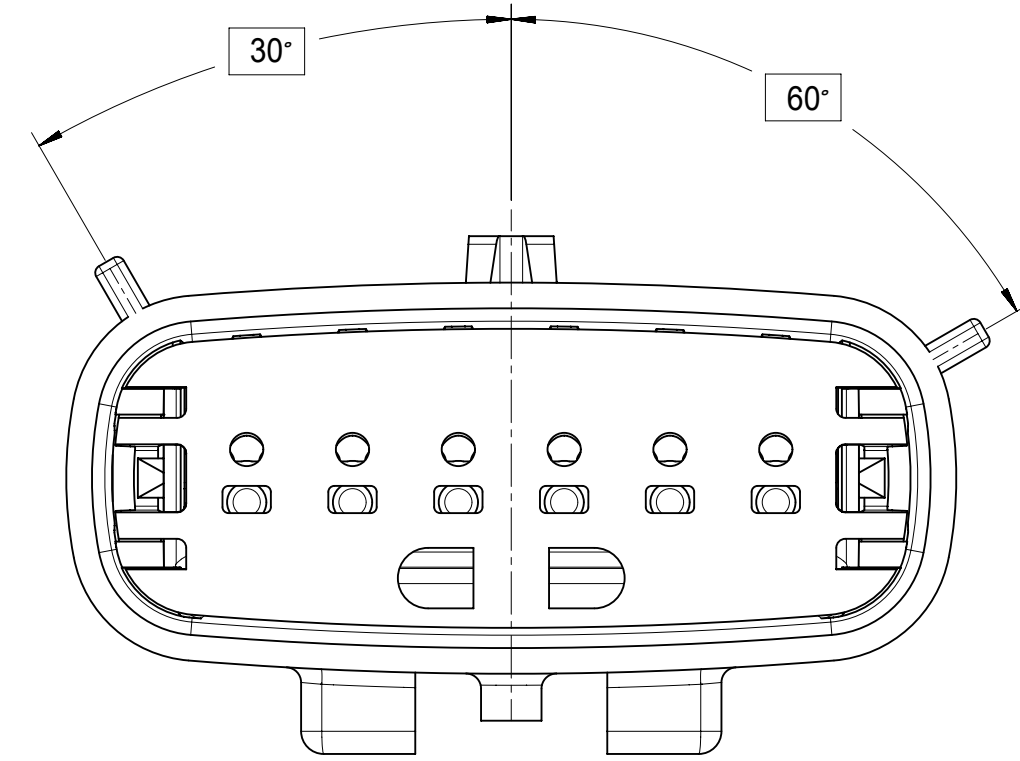
INSPECTION NUMBER LOG
LAST NUMBER USED: 8
ADDED:
REMOVED:

V4	UPDATE 33481-0602/0607/0612/0618/0619 STATUS TO "SALEABLE" AND UPDATE 33481-0603/0604/0608/0609/0613/0614 STATUS TO "NOT RECOMMENDED" ON SHEET 5; UPDATE 33481-6602/6607/6612/6618/6619 STATUS TO "SALEABLE" AND UPDATE 33481-6603/6604/6608/6609/6613/6614 STATUS TO "NOT RECOMMENDED" ON SHEET 5;
V3	ADD NEW P/N 33481-6601 TO 33481-6624
V2	ADD NEW P/N 33481-0624
V1	ADD NEW P/N 33481-0623
U	ADD NEW P/N 33481-0621 33481-0622
T	ADD NEW P/N 33481-0620
S	UPDATED GROMMET CAP
R1	UPDATED DIMENSIONS TO MATCH MODEL
R	COLOR REPLACEMENT FOR KEY C AND D PER USCAR STANDARD
Q	REDRAWN
REV	DESCRIPTION

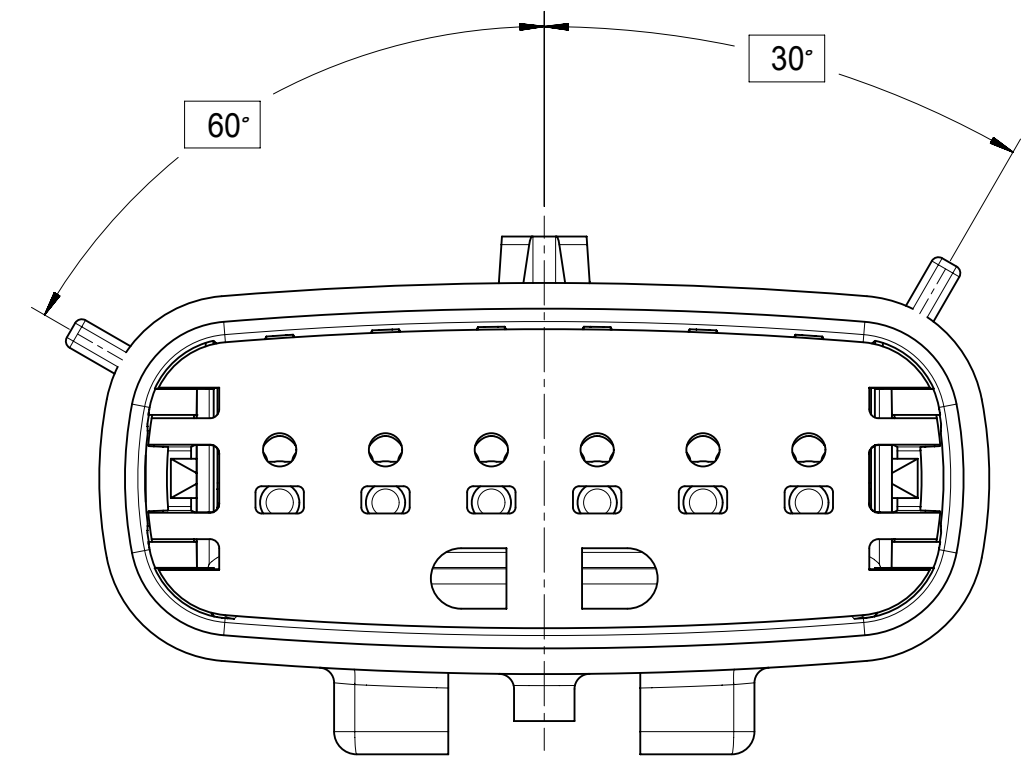
SYMBOLS	DIMENSION UNITS	SCALE	CURRENT REV DESC:	molex				
	mm	3:1		MX150 1X6 BLADE SEALED ASSEMBLY MAT SEAL PRODUCT CUSTOMER DRAWING DOCUMENT NUMBER: SD-33481-061 DOC TYPE: PSD DOC PART: 001 REVISION: V4				
	GENERAL TOLERANCES (UNLESS SPECIFIED)		EC NO: 614780					
	ANGULAR TOL ± 3.0°		DRWN: WKHE 2019/04/01					
	4 PLACES ±		CHK'D: JDENG02 2019/04/01					
	3 PLACES ±		APPR: JDENG02 2019/04/01					
	2 PLACES ± 0.1		INITIAL REVISION:					
	1 PLACE ± 0.3		DRWN: DGRIFITHS 2005/08/26					
	0 PLACES ±		APPR: smarceau 2005/08/29					
	DRAFT WHERE APPLICABLE MUST REMAIN WITHIN DIMENSIONS		THIRD ANGLE PROJECTION	DRAWING: D-SIZE	SERIES: 33481	MATERIAL NUMBER: SEE BOM	CUSTOMER: GENERAL MARKET	SHEET NUMBER: 1 OF 5



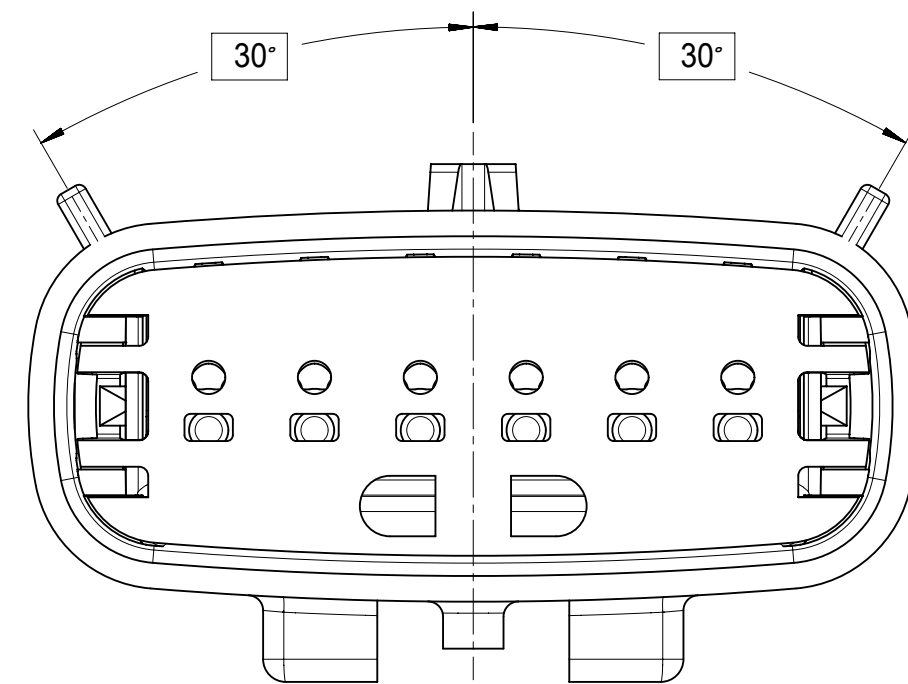
KEY A



KEY B

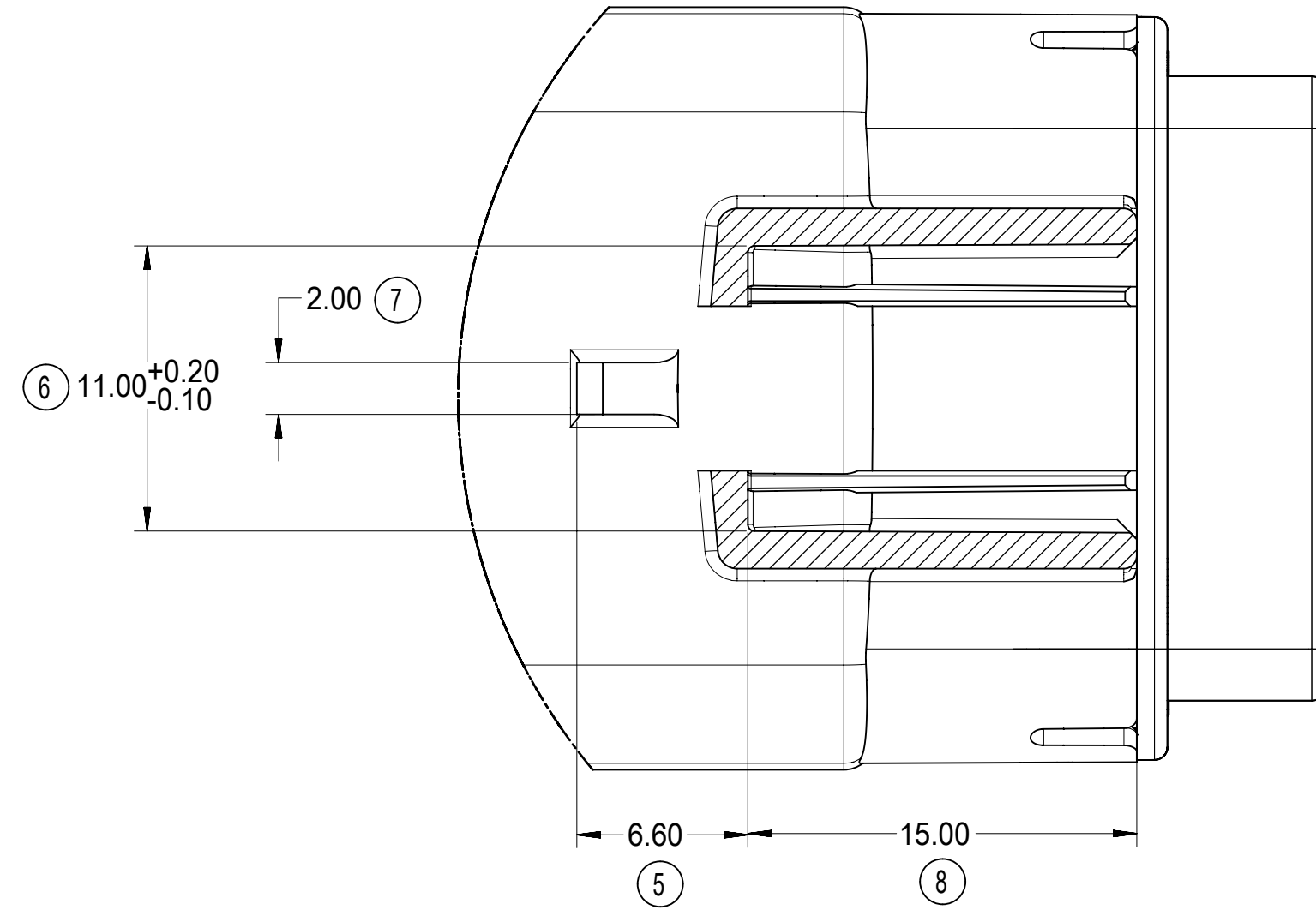
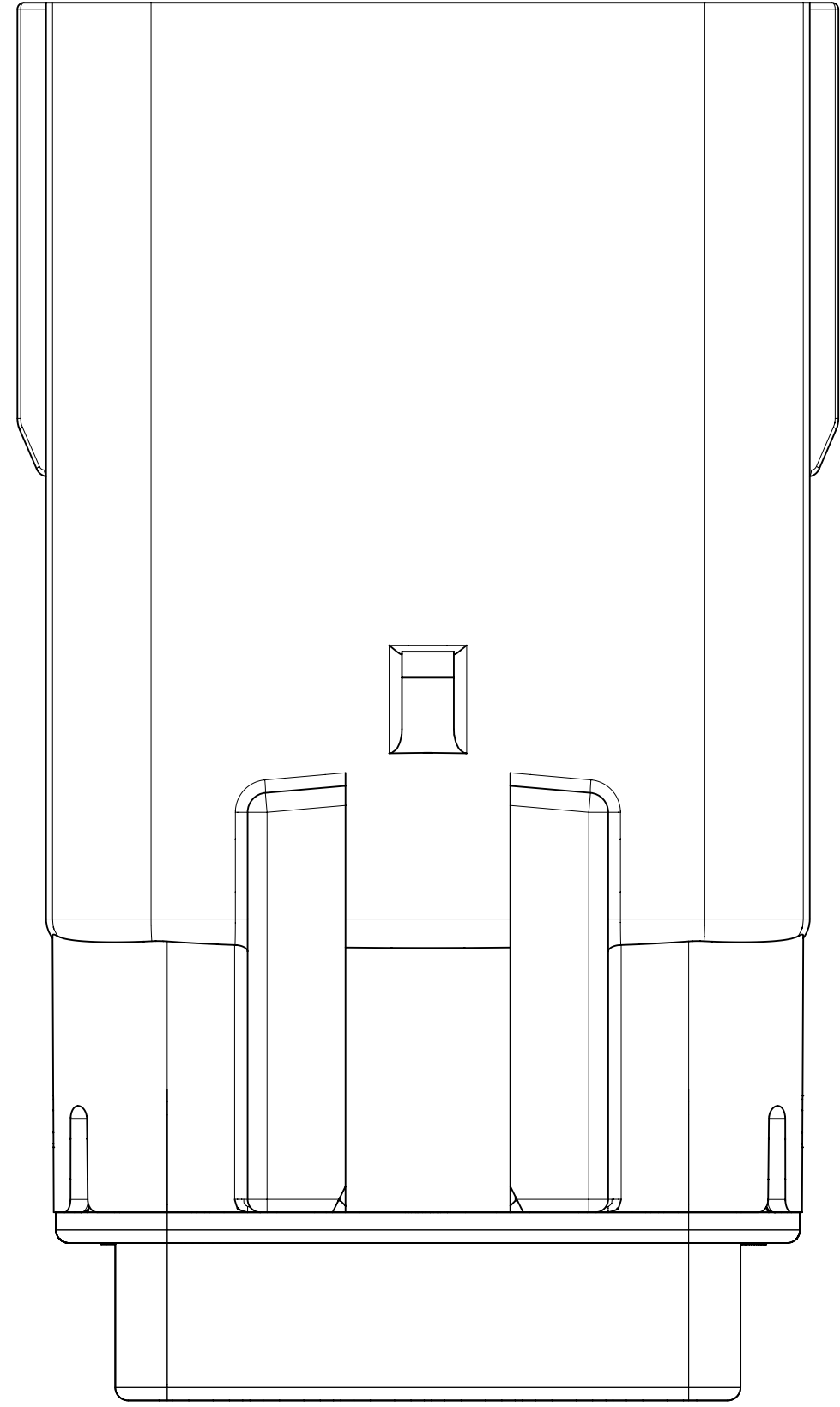
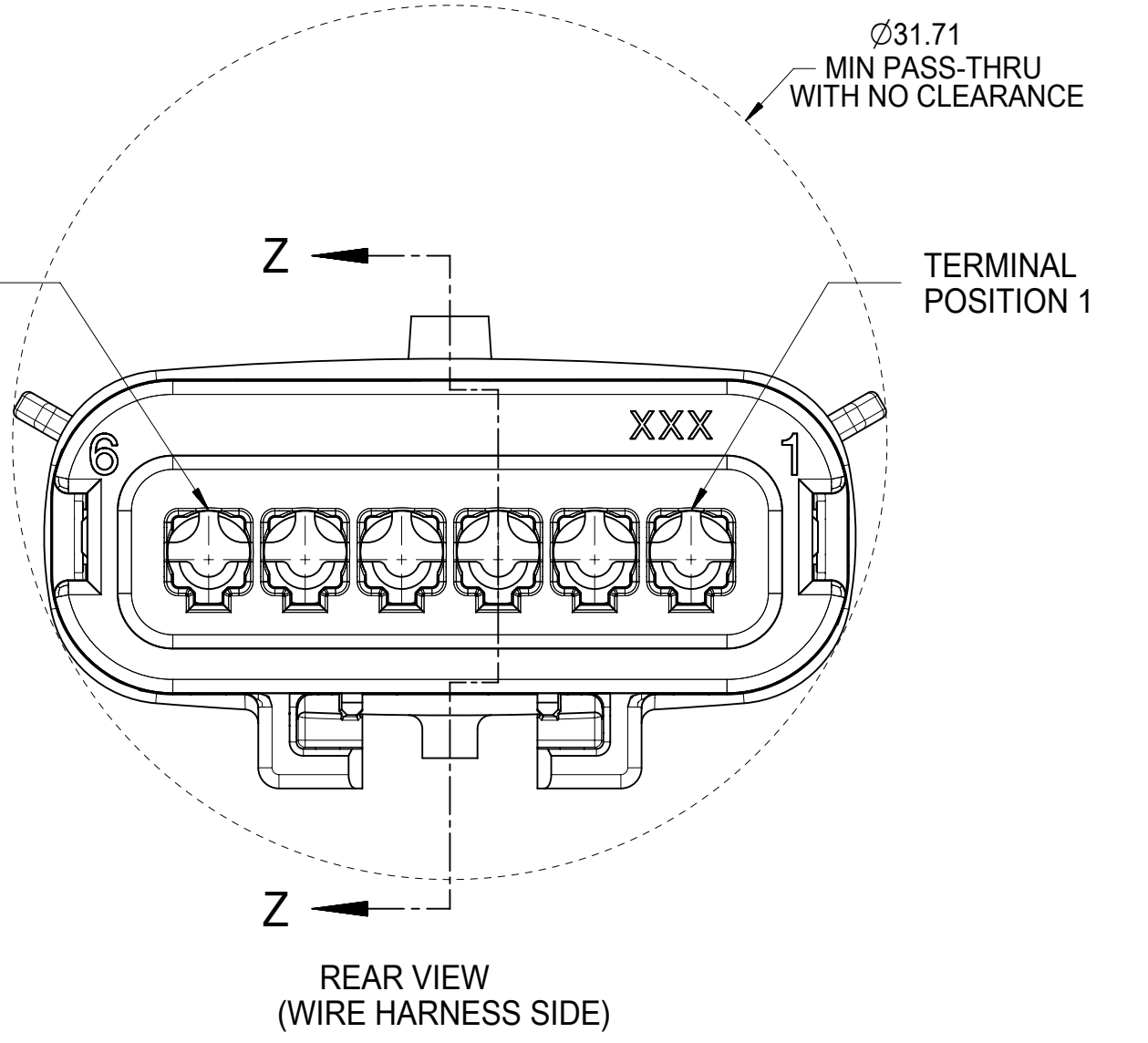
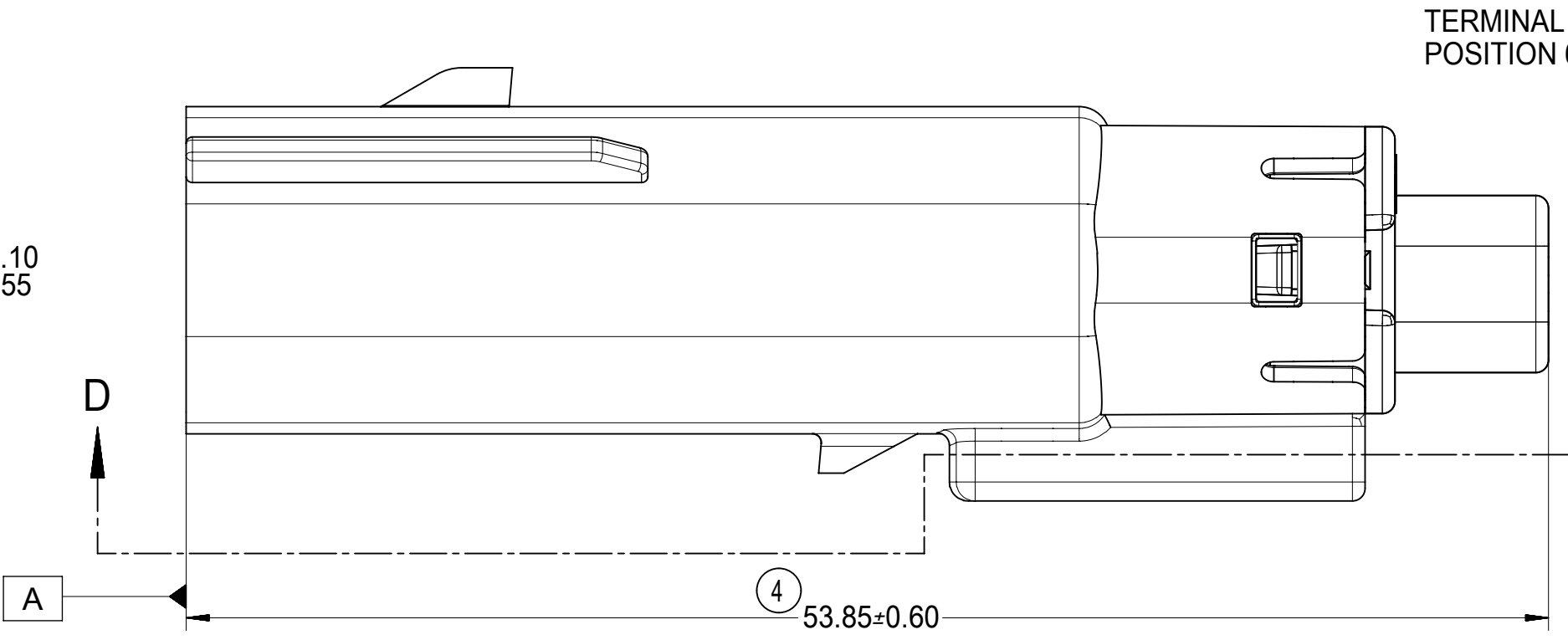
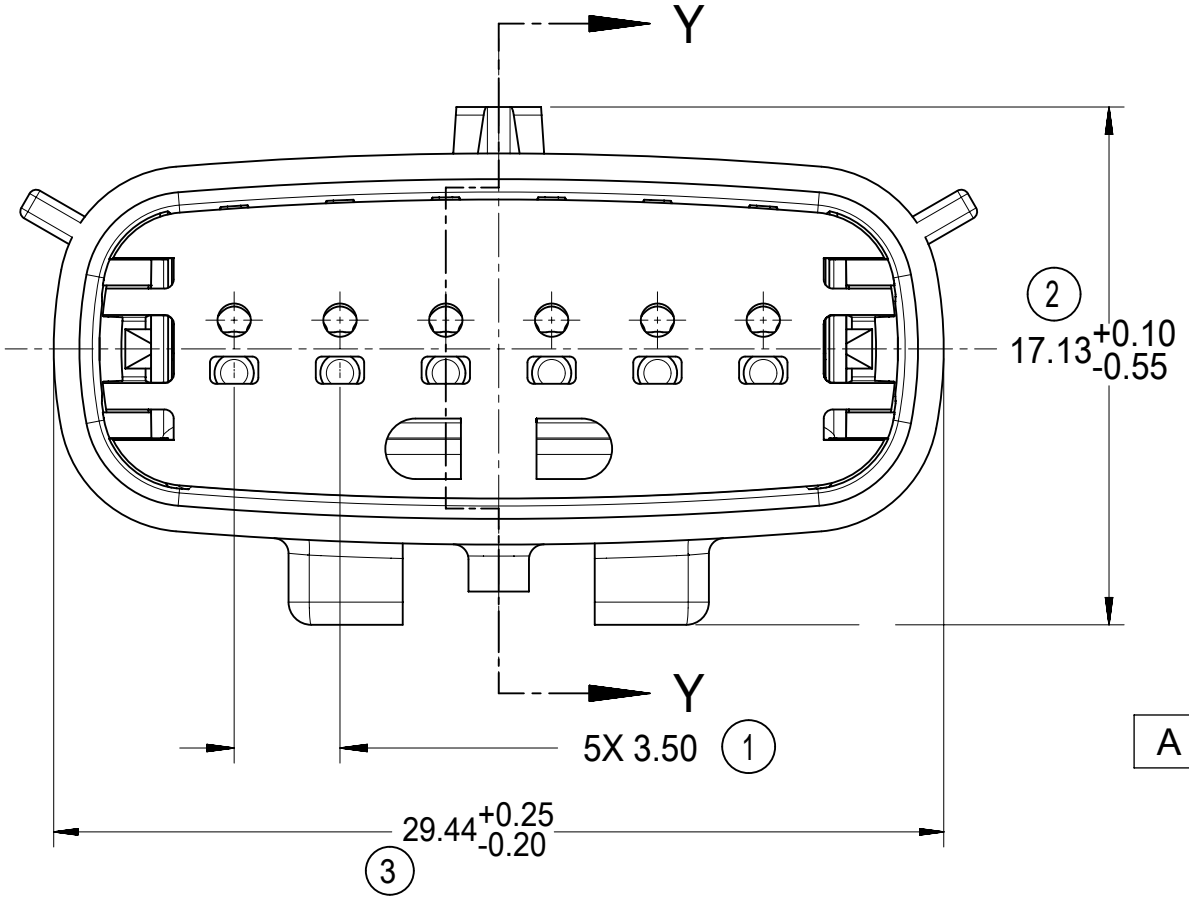
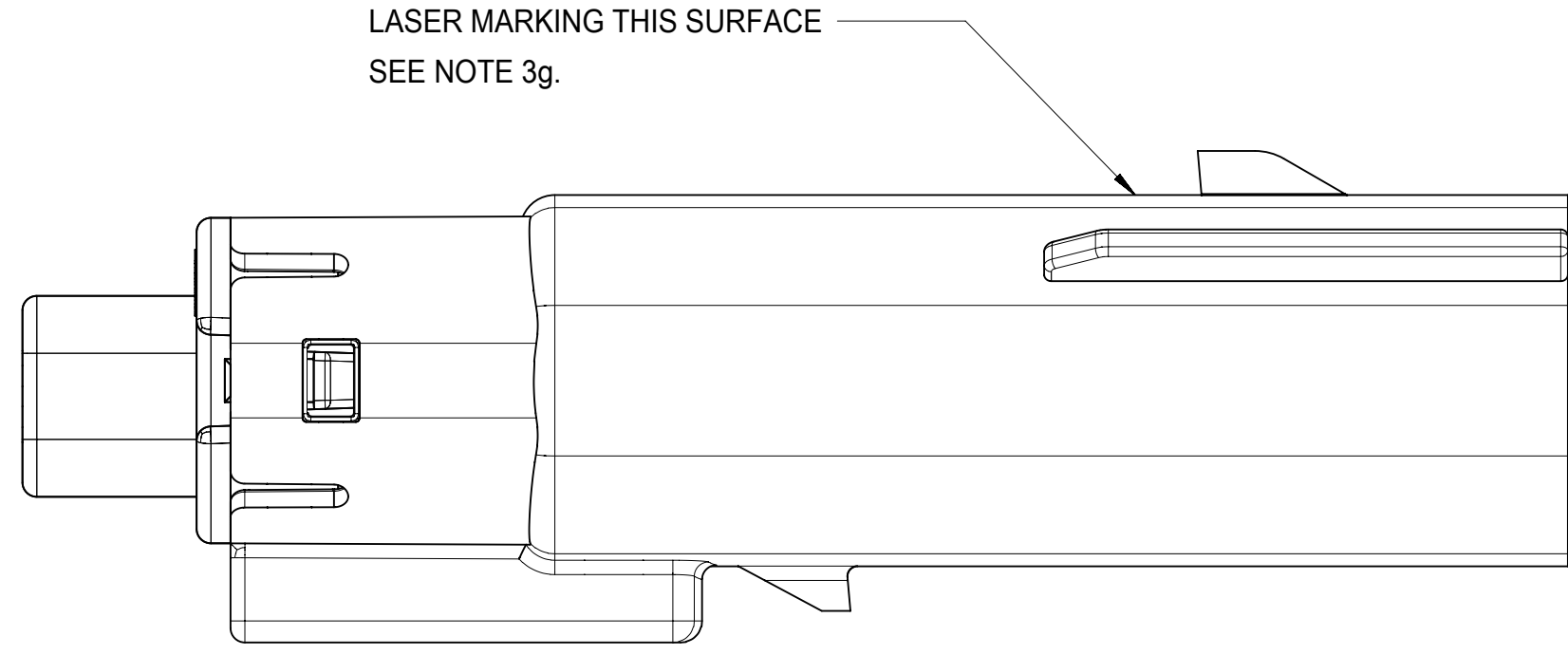


KEY C

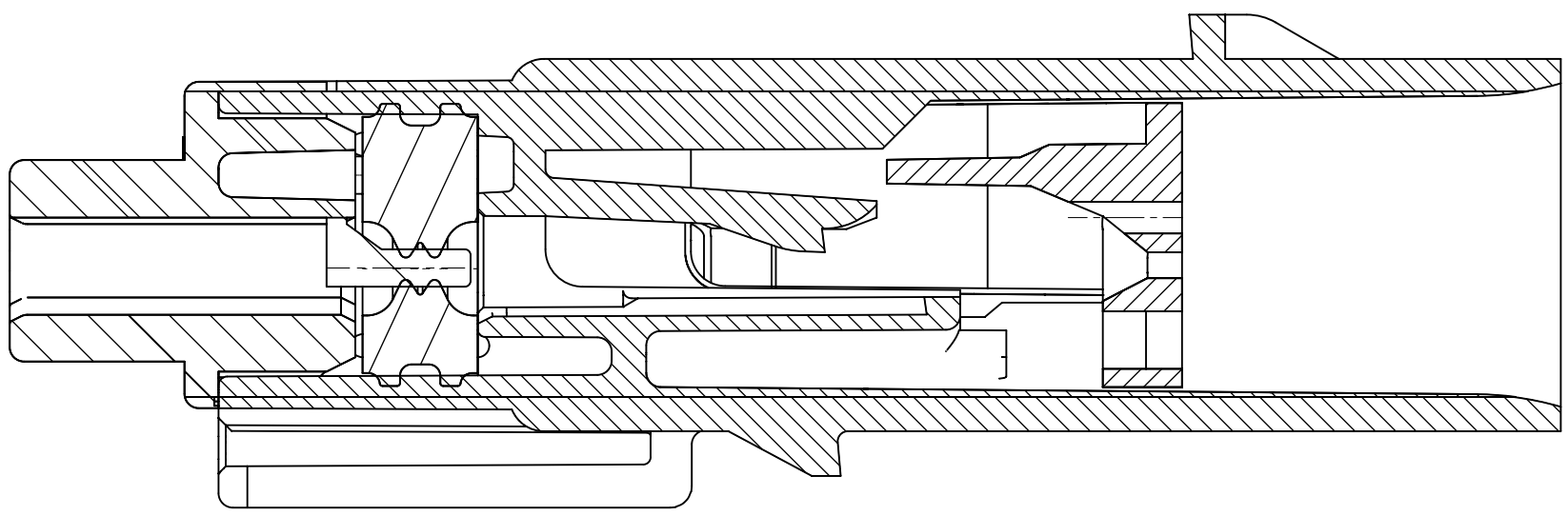


KEY D

SYMBOLS	THIS DRAWING CONTAINS INFORMATION THAT IS PROPRIETARY TO MOLEX ELECTRONIC TECHNOLOGIES, LLC AND SHOULD NOT BE USED WITHOUT WRITTEN PERMISSION		
	DIMENSION UNITS	SCALE	CURRENT REV DESC:
▽ = 0	mm	4:1	EC NO: 614780 DRWN: WKHE 2019/04/01 CHK'D: JDENG02 2019/04/01 APPR: JDENG02 2019/04/01 INITIAL REVISION: DRWN: DGRIFITHS 2005/08/26 APPR: smarceau 2005/08/29
▽ = 0	GENERAL TOLERANCES (UNLESS SPECIFIED)		
▽ = 0	ANGULAR TOL ± 3.0°		
▽ = 0	4 PLACES	±	
▽ = 0	3 PLACES	±	DOCUMENT NUMBER SD-33481-061
▽ = 0	2 PLACES	± 0.1	
▽ = 0	1 PLACE	± 0.3	DOC PART 001
▽ = 0	0 PLACES	±	REVISION V4
☒ = 0	DRAFT WHERE APPLICABLE MUST REMAIN WITHIN DIMENSIONS		MATERIAL NUMBER SEE BOM
☒ = 0	THIRD ANGLE PROJECTION	DRAWING	CUSTOMER
		D-SIZE	GENERAL MARKET
		SERIES	SHEET NUMBER
		33481	2 OF 5

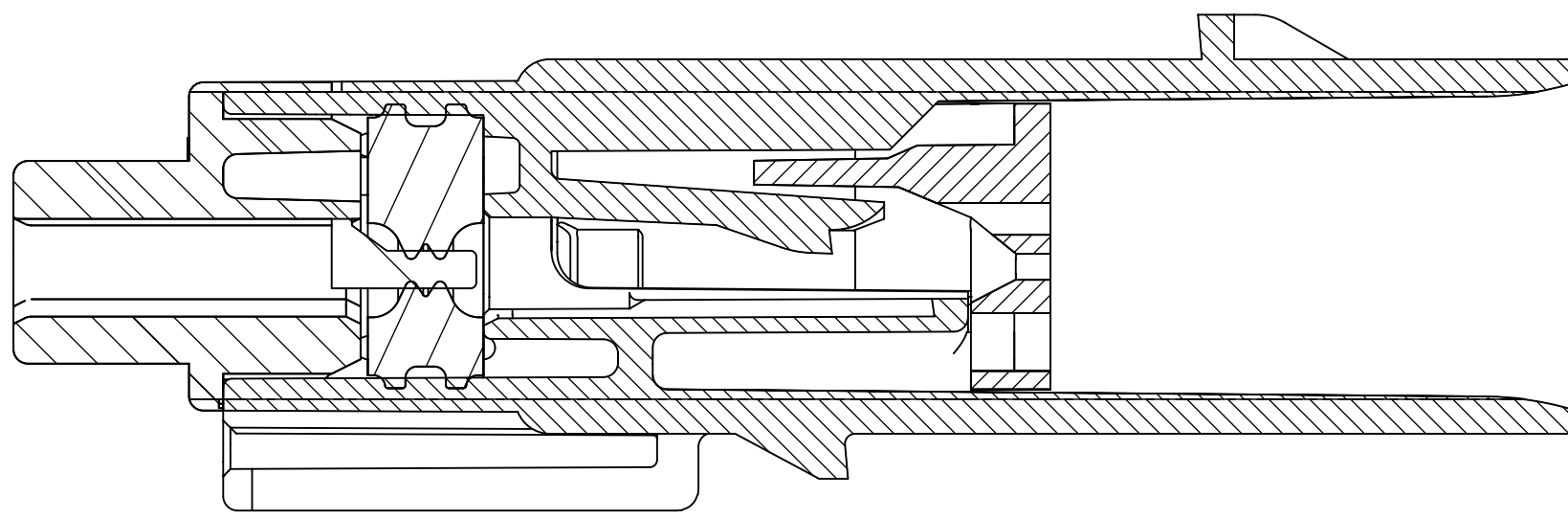


SECTION D-D



PRIMARY LOCK REINFORCEMENT (PLR) SHOWN IN PRE-STAGED POSITION

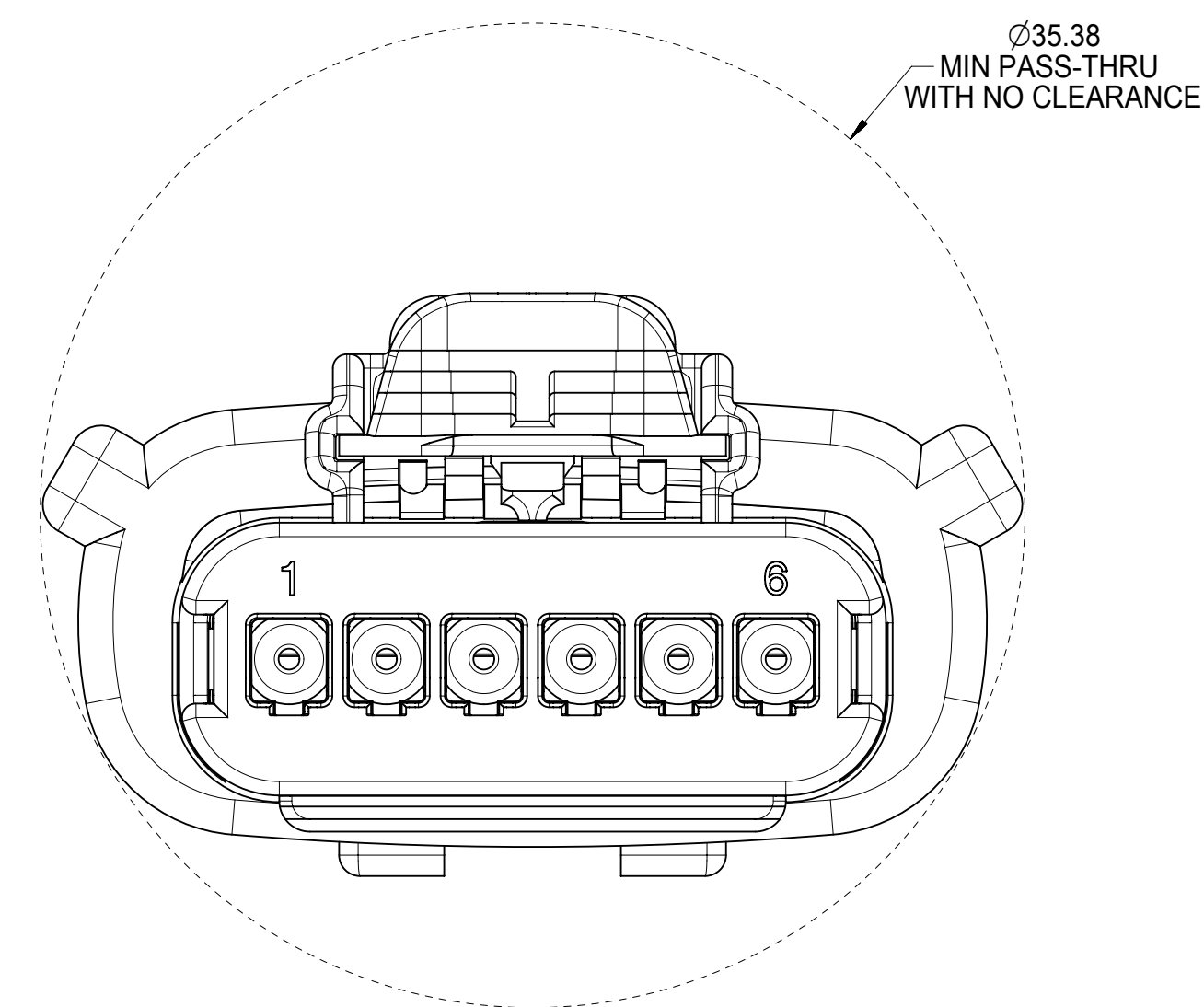
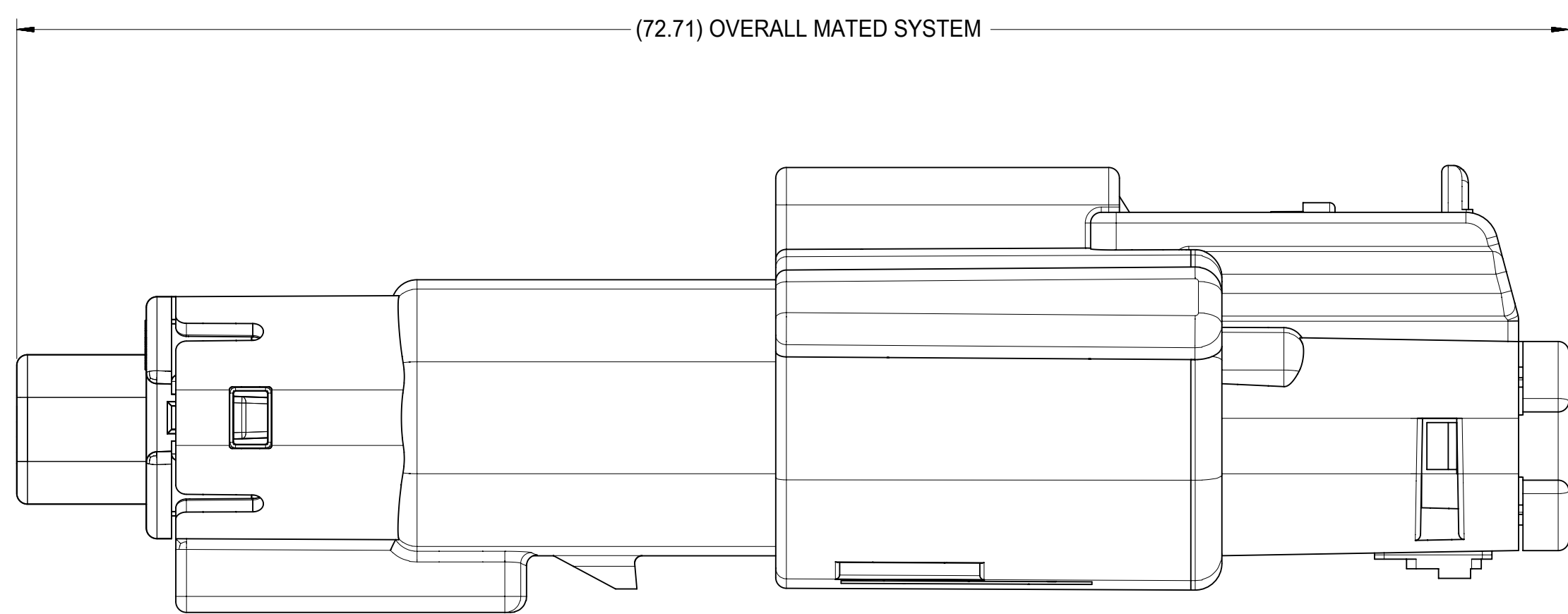
SECTION Z-Z



PRIMARY LOCK REINFORCEMENT (PLR) SHOWN IN FINAL-LOCK POSITION

SECTION Y-Y

SYMBOLS = 0 = 0 = 0 = 0 = 0 = 0 = 0 = 0 = 0 = 0	THIS DRAWING CONTAINS INFORMATION THAT IS PROPRIETARY TO MOLEX ELECTRONIC TECHNOLOGIES, LLC AND SHOULD NOT BE USED WITHOUT WRITTEN PERMISSION DIMENSION UNITS : mm SCALE : 4:1 GENERAL TOLERANCES (UNLESS SPECIFIED) : ANGULAR TOL ± 3.0° 4 PLACES ± 3 PLACES ± 2 PLACES ± 0.1 1 PLACE ± 0.3 0 PLACES ± DRAFT WHERE APPLICABLE MUST REMAIN WITHIN DIMENSIONS			CURRENT REV DESC: EC NO: 614780 DRWN: WKHE 2019/04/01 CHK'D: JDENG02 2019/04/01 APPR: JDENG02 2019/04/01 INITIAL REVISION: DRWN: DGRIFITHS 2005/08/26 APPR: smarceau 2005/08/29							
	PRODUCT CUSTOMER DRAWING DOCUMENT NUMBER: SD-33481-061 DOC TYPE: PSD DOC PART: 001 REVISION: V4										
	D-D-SIZE DRAUGHTING: D-SIZE SERIES: 33481 MATERIAL NUMBER: SEE BOM CUSTOMER: GENERAL MARKET SHEET NUMBER: 3 OF 5										
	DOCUMENT STATUS : P1 RELEASE DATE : 2019/04/01 06:53:56										



SYMBOLS	THIS DRAWING CONTAINS INFORMATION THAT IS PROPRIETARY TO MOLEX ELECTRONIC TECHNOLOGIES, LLC AND SHOULD NOT BE USED WITHOUT WRITTEN PERMISSION					
	DIMENSION UNITS	SCALE	CURRENT REV DESC:			
= 0	mm	4:1	EC NO: 614780 DRWN: WKHE 2019/04/01 CHK'D: JDENG02 2019/04/01 APPR: JDENG02 2019/04/01			
= 0	GENERAL TOLERANCES (UNLESS SPECIFIED)					
= 0	ANGULAR TOL \pm 3.0°					
= 0	4 PLACES \pm	INITIAL REVISION: DRWN: DGRIFITHS 2005/08/26 APPR: smarceau 2005/08/29	PRODUCT CUSTOMER DRAWING			
= 0	3 PLACES \pm			DOCUMENT NUMBER SD-33481-061	DOC TYPE PSD	DOC PART 001
= 0	2 PLACES \pm 0.1		MATERIAL NUMBER SEE BOM		CUSTOMER GENERAL MARKET	SHEET NUMBER 4 OF 5
= 0	1 PLACE \pm 0.3			THIRD ANGLE PROJECTION		
= 0	0 PLACES \pm		DRAFT WHERE APPLICABLE MUST REMAIN WITHIN DIMENSIONS			
= 0						

ASSEMBLY PART NUMBER	COLOR	KEYING OPTION	CAVITY TYPE & STATUS (X = PLUGGED)						STATUS	COMMENTS
			1	2	3	4	5	6		
33481-0601	BLACK	A							SALEABLE	
33481-0602	LT.GRAY	B							SALEABLE (V4)	
33481-0603	BROWN	C							NOT RECOMMENDED (V4)	NOT RECOMMENDED, SEE P/N 33481-0618
33481-0604	GREEN	D							NOT RECOMMENDED (V4)	NOT RECOMMENDED, SEE P/N 33481-0619
33481-0605	YELLOW	A							SALEABLE	
33481-0606	BLACK	A						X	SALEABLE	
33481-0607	LT.GRAY	B						X	SALEABLE (V4)	
33481-0608	BROWN	C						X	NOT RECOMMENDED (V4)	
33481-0609	GREEN	D						X	NOT RECOMMENDED (V4)	
33481-0610	YELLOW	A						X	SALEABLE	
33481-0611	BLACK	A	X					X	SALEABLE	
33481-0612	LT.GRAY	B	X					X	SALEABLE (V4)	
33481-0613	BROWN	C	X					X	NOT RECOMMENDED (V4)	
33481-0614	GREEN	D	X					X	NOT RECOMMENDED (V4)	
33481-0615	YELLOW	A	X					X	SALEABLE	
33481-0616	BLACK	A	X	X	X	X	X	X	SALEABLE	
33481-0617	BLACK	A						X	SALEABLE	
33481-0618	DK.GRAY	C							SALEABLE (V4)	
33481-0619	ST.GRAY	D							SALEABLE (V4)	
33481-0620	BLACK	A			X				SALEABLE	
33481-0621	ST.GRAY	D	X	X	X	X	X	X	SALEABLE	
33481-0622	ST.GRAY	D	X					X	SALEABLE	
33481-0623	BLACK	A	X		X			X	SALEABLE	
33481-0624	BLACK	A						X	SALEABLE	

ASSEMBLY PART NUMBER	COLOR	KEYING OPTION	CAVITY TYPE & STATUS (X = PLUGGED)						STATUS	COMMENTS	
			1	2	3	4	5	6			
33481-6601	BLACK	A								SALEABLE	
33481-6602	LT.GRAY	B								SALEABLE (V4)	
33481-6603	BROWN	C								NOT RECOMMENDED (V4)	NOT RECOMMENDED, SEE P/N 33481-6618
33481-6604	GREEN	D								NOT RECOMMENDED (V4)	NOT RECOMMENDED, SEE P/N 33481-6619
33481-6605	YELLOW	A								SALEABLE	
33481-6606	BLACK	A						X		SALEABLE	
33481-6607	LT.GRAY	B						X		SALEABLE (V4)	
33481-6608	BROWN	C						X		NOT RECOMMENDED (V4)	
33481-6609	GREEN	D						X		NOT RECOMMENDED (V4)	
33481-6610	YELLOW	A						X		SALEABLE	
33481-6611	BLACK	A	X					X		SALEABLE	
33481-6612	LT.GRAY	B	X					X		SALEABLE (V4)	
33481-6613	BROWN	C	X					X		NOT RECOMMENDED (V4)	
33481-6614	GREEN	D	X					X		NOT RECOMMENDED (V4)	
33481-6615	YELLOW	A	X					X		SALEABLE	
33481-6616	BLACK	A	X	X	X	X	X	X		SALEABLE	
33481-6617	BLACK	A						X		SALEABLE	
33481-6618	DK.GRAY	C								SALEABLE (V4)	
33481-6619	ST.GRAY	D								SALEABLE (V4)	
33481-6620	BLACK	A			X					SALEABLE	
33481-6621	ST.GRAY	D	X	X	X	X	X	X		SALEABLE	
33481-6622	ST.GRAY	D	X					X		SALEABLE	
33481-6623	BLACK	A	X		X			X		SALEABLE	
33481-6624	BLACK	A						X	X	SALEABLE	

SYMBOLS	THIS DRAWING CONTAINS INFORMATION THAT IS PROPRIETARY TO MOLEX ELECTRONIC TECHNOLOGIES, LLC AND SHOULD NOT BE USED WITHOUT WRITTEN PERMISSION		
	DIMENSION UNITS	SCALE	CURRENT REV DESC:
▽ = 0	mm	1:1	EC NO: 614780 DRWN: WKHE 2019/04/01 CHK'D: JDENG02 2019/04/01 APPR: JDENG02 2019/04/01 INITIAL REVISION: DRWN: DGRIFITHS 2005/08/26 APPR: smarceau 2005/08/29
▽ = 0	GENERAL TOLERANCES (UNLESS SPECIFIED)		
▽ = 0	ANGULAR TOL ± 3.0°		
▽ = 0	4 PLACES	±	
▽ = 0	3 PLACES	±	
▽ = 0	2 PLACES	± 0.1	
▽ = 0	1 PLACE	± 0.3	
▽ = 0	0 PLACES	±	
□ = 0	DRAFT WHERE APPLICABLE MUST REMAIN WITHIN DIMENSIONS		THIRD ANGLE PROJECTION
▽ = 0			DRAWING D-SIZE
			SERIES 33481
DOCUMENT STATUS P1		RELEASE DATE 2019/04/01 06:53:56	DOCUMENT NUMBER SD-33481-061 DOC TYPE PSD DOC PART 001 REVISION V4
			MATERIAL NUMBER SEE BOM CUSTOMER GENERAL MARKET SHEET NUMBER 5 OF 5