

3-794037-1 ✓ ACTIVE

AMP-IN

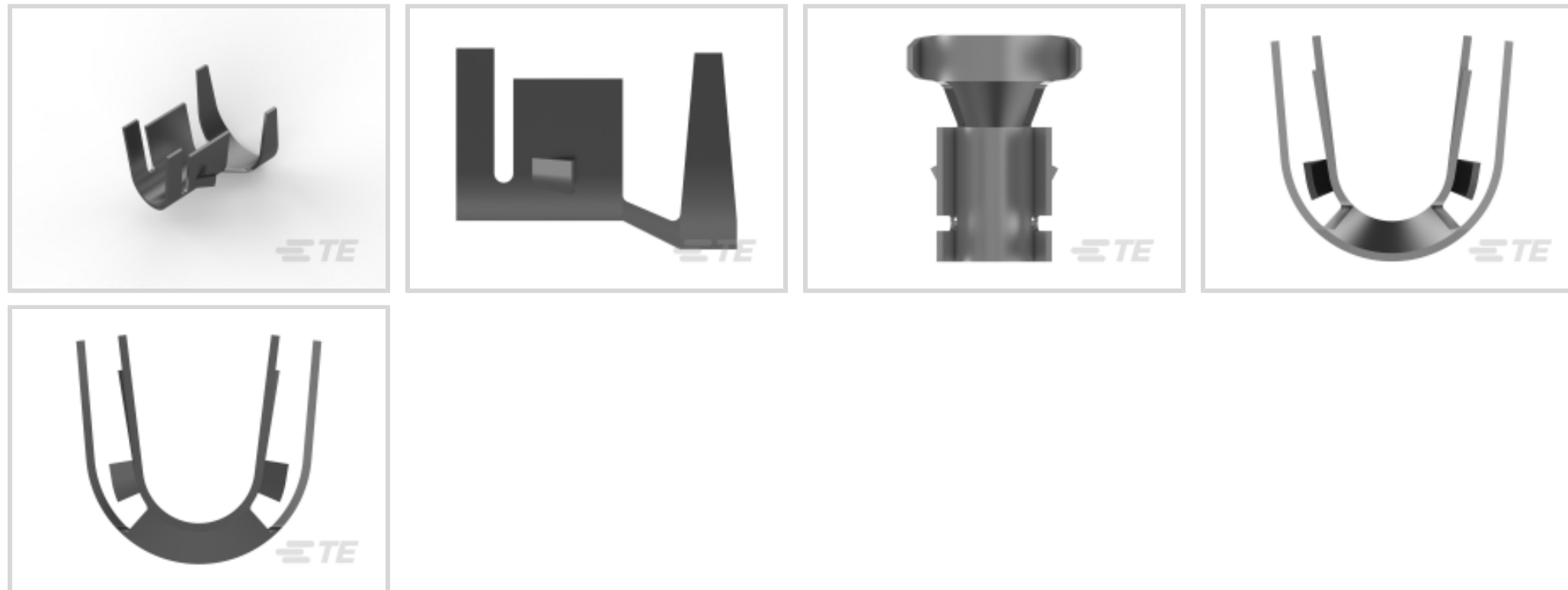
TE Internal #: 3-794037-1

PCB Terminals, PCB Pin, PCB Hole Diameter 3.81 mm [.15 in], 12 – 10 AWG Wire Size, 3 – 5.5 mm² Wire Size, Crimp, Tin Plating, Reel

[View on TE.com >](#)



Terminals & Splices > PCB Terminals



PCB Terminal Type: PCB Pin

PCB Thickness (Recommended): 1.57 mm [.062 in]

PCB Hole Diameter: 3.81 mm [.15 in]

Profile Height from PCB: 3.43 mm [.137 in]

Accepts Wire Insulation Diameter (Max): 5.08 mm [.2 in]

Features

Configuration Features

Stud Hole	No
Terminal Angle	180 °

Body Features

Finish	Bright
Plating Thickness	5.08 μm[200 μin]

Contact Features

Contact Plating Material	Tin
PCB Terminal Type	PCB Pin
Terminal Plating Material	Tin
Terminal Size	Miniature
Terminal Orientation	Vertical

Termination Features

Termination Method to Wire & Cable	Crimp
Product Terminates To	Wire & Cable



Mechanical Attachment

Wire Insulation Support	With
-------------------------	------

Dimensions

Extension Below Board	3.18 mm[.125 in]
PCB Thickness (Recommended)	1.57 mm[.062 in]
PCB Hole Diameter	3.81 mm[.15 in]
Profile Height from PCB	3.43 mm[.137 in]
Accepts Wire Insulation Diameter (Max)	5.08 mm[.2 in]
Accepts Wire Insulation Diameter Range	5.08 mm[.2 in]
Wire Size	3 – 5.5 mm ²

Usage Conditions

Insulation Option	Uninsulated
Operating Temperature Range	-40 – 105 °C[-40 – 221 °F]

Packaging Features

Packaging Quantity	3000
Packaging Method	Reel

Other

Comment	Higher tensile available with nose crimp., Machine applied applicator required., No hand tools available., Not available in loose piece.
---------	--

Product Compliance

[For compliance documentation, visit the product page on TE.com>](#)

EU RoHS Directive 2011/65/EU	Compliant
EU ELV Directive 2000/53/EC	Compliant
China RoHS 2 Directive MIIT Order No 32, 2016	No Restricted Materials Above Threshold
EU REACH Regulation (EC) No. 1907/2006	Current ECHA Candidate List: JUNE 2022 (224) Candidate List Declared Against: JUNE 2022 (224) Does not contain REACH SVHC
Halogen Content	Low Halogen - Br, Cl, F, I < 900 ppm per homogenous material. Also BFR/CFR/PVC Free
Solder Process Capability	Wave solder capable to 265°C

Product Compliance Disclaimer

This information is provided based on reasonable inquiry of our suppliers and represents our current actual knowledge based on the information they provided. This information is subject to change. The part numbers that TE has identified as EU RoHS compliant have a maximum concentration of 0.1% by weight in homogenous materials for lead, hexavalent chromium, mercury, PBB, PBDE, DBP, BBP, DEHP, DIBP, and 0.01% for cadmium, or qualify for an exemption to these limits as defined in the Annexes of Directive 2011/65/EU (RoHS2). Finished electrical and electronic equipment products will be CE marked as required by Directive 2011/65/EU. Components may not be CE marked. Additionally, the part numbers that TE has identified as EU ELV compliant have a maximum concentration of 0.1% by weight in homogenous materials for lead, hexavalent chromium, and mercury, and 0.01% for cadmium, or qualify for an exemption to these limits as defined in the Annexes of Directive 2000/53/EC (ELV). Regarding the REACH Regulation, the information TE provides on SVHC in articles for this part number is based on the latest European Chemicals Agency (ECHA) 'Guidance on requirements for substances in articles' posted at this URL: <https://echa.europa.eu/guidance-documents/guidance-on-reach>

Compatible Parts



TE Part # 2305570-1
TERMINAL CUTTER, SIDE FEED



TE Part # 2151337-1
OCEAN-2.0-APPLICATOR-S-110O110O210O



KIT
REPRESENTATION ONLY

TE Part # 7-2151337-7
OCEAN_2.0_SPARE_PART_KIT-110F110O210O



TE Part # 2-2151337-1
OCEAN-2.0-APPLICATOR-S-110O110O210O



TE Part # 2-2151337-2
OCEAN-2.0-APPLICATOR-S-110O110O210OA



TE Part # 2-2151338-1
OCEAN-2.0-APPLICATOR-S-140F140O210O



TE Part # 2-2151338-2
OCEAN-2.0-APPLICATOR-S-140F140O210O



TE Part # 2-4151041-1
OCEAN-2.0-APPLICATOR-S-140O210O



TE Part # 2-4151041-2
OCEAN-2.0-APPLICATOR-S-140O210O



TE Part # 2151337-2
OCEAN-2.0-APPLICATOR-S-110O110O210OA



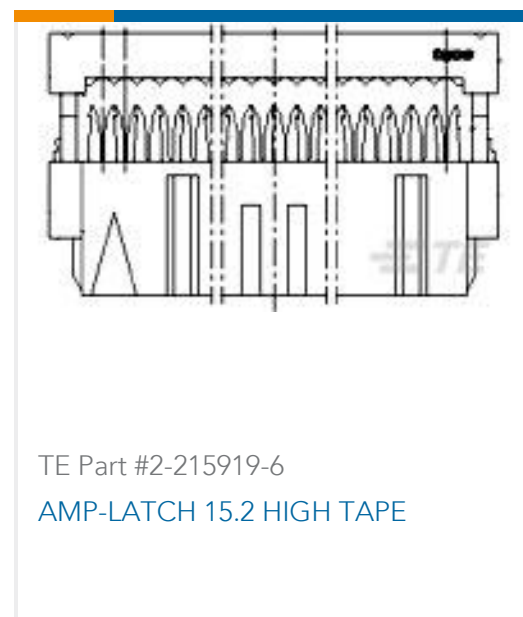
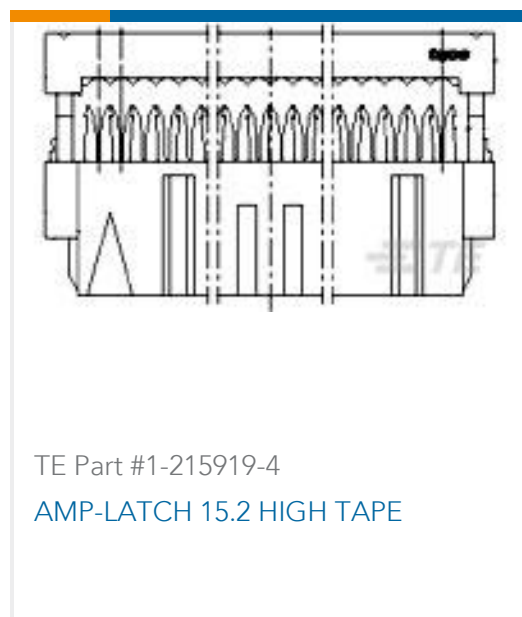
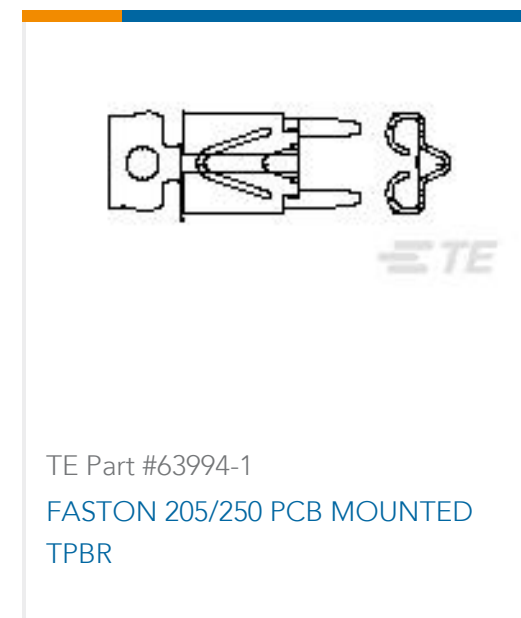
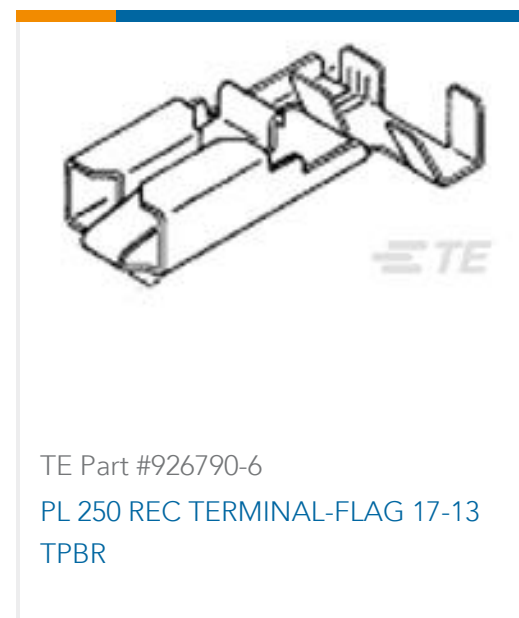
TE Part # 2151338-1
OCEAN-2.0-APPLICATOR-S-140F140O210O



TE Part # 2151338-2
OCEAN-2.0-APPLICATOR-S-140F140O210O



Customers Also Bought



Documents

Product Drawings

MINI AMP-IN PTP PHBZ 10AWG

English

CAD Files

3D PDF

English

Customer View Model

ENG_CVM_3-794037-1_C1.3d_igs.zip



English

Customer View Model

[ENG_CVM_3-794037-1_C1.3d_stp.zip](#)

English

Customer View Model

[ENG_CVM_3-794037-1_C1.2d_dxf.zip](#)

English

3D PDF

3D

Customer View Model

[ENG_CVM_CVM_3-794037-1_D.2d_dxf.zip](#)

English

Customer View Model

[ENG_CVM_CVM_3-794037-1_D.3d_igs.zip](#)

English

Customer View Model

[ENG_CVM_CVM_3-794037-1_D.3d_stp.zip](#)

English

By downloading the CAD file I accept and agree to the [Terms and Conditions](#) of use.

Datasheets & Catalog Pages

PRINTED CIRCUIT BOARD TERMINALS AND DISCONNECTS

English

Product Specifications

Application Specification

English

Product Environmental Compliance

MD_3-794037-1_110720121140

English

MD_3-794037-1_110720121140

English