



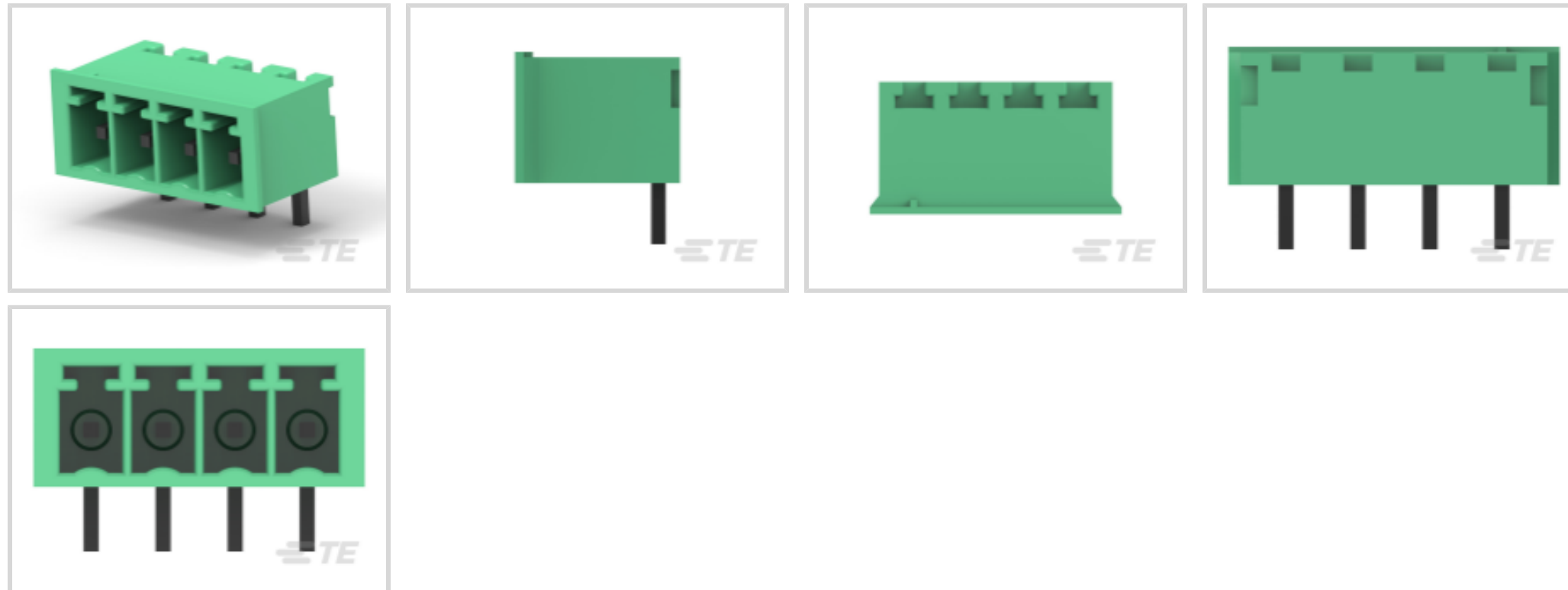
Buchanan

TE Internal #: 284513-2

PCB Terminal Blocks, Header, Wire-to-Board, 2 Position, .15 in [3.81 mm] Centerline, 1 Row, 30 – 14 AWG Wire Size, .05 – 2 mm² Wire Size, 11 A

[View on TE.com >](#)

Connectors > Terminal Blocks & Strips > PCB Terminal Blocks



Terminal Block Connector Type: **Header**

Connector System: **Wire-to-Board**

Number of Positions: **2**

Centerline (Pitch): **3.81 mm [.15 in]**

Number of Rows: **1**

Features

Product Type Features

| | |
|-----------------------------------|-----------------------|
| Block Type | PCB Mount |
| Header Type | Fully Shrouded |
| Terminal Block Connector Type | Header |
| Connector System | Wire-to-Board |
| Connector & Contact Terminates To | Printed Circuit Board |

Configuration Features

| | |
|---------------------|---------|
| Threaded Flange | Without |
| Closed End | With |
| Number of Positions | 2 |
| Number of Rows | 1 |

Electrical Characteristics

| | |
|----------------------|---------|
| Current Rating (Max) | 11 A |
| Voltage Rating | 300 VAC |

Body Features



| | |
|-----------|---------|
| Interlock | Without |
|-----------|---------|

Contact Features

| | |
|--------------------------------------|-----------------|
| Contact Mating Area Plating Material | Tin |
| Contact Mount | Through Hole |
| Contact Base Material | Phosphor Bronze |
| Contact Current Rating (Max) | 11 A |

Mechanical Attachment

| | |
|--------------------------|-------------|
| Mating Angle | 90° |
| Screwless Terminal Block | No |
| Mounting Angle | Right Angle |
| Screw Flange | Without |
| Connector Mounting Type | Board Mount |

Housing Features

| | |
|--------------------|------------------|
| Housing Color | Green |
| Housing Material | PA 6.6 |
| Centerline (Pitch) | 3.81 mm [.15 in] |

Dimensions

| | |
|-----------------|-------------------------|
| PCB Tail Length | 3.4 mm [.134 in] |
| Wire Size | .05 – 2 mm ² |

Usage Conditions

| | |
|-----------------------------|-----------------------------|
| Operating Temperature Range | -40 – 105 °C [-40 – 221 °F] |
|-----------------------------|-----------------------------|

Operation/Application

| | |
|---------------------|----------------|
| Circuit Application | Power & Signal |
|---------------------|----------------|

Packaging Features

| | |
|--------------------|-----|
| Packaging Method | Box |
| Packaging Quantity | 300 |

Product Compliance

For compliance documentation, visit the product page on [TE.com](https://www.te.com)>

| | |
|------------------------------|-----------|
| EU RoHS Directive 2011/65/EU | Compliant |
| EU ELV Directive 2000/53/EC | Compliant |



China RoHS 2 Directive MIIT Order No 32, 2016

No Restricted Materials Above Threshold

EU REACH Regulation (EC) No. 1907/2006

Current ECHA Candidate List: JUNE 2022 (224)

Candidate List Declared Against: JAN 2022 (223)

SVHC > Threshold:

Not Yet Reviewed

Halogen Content

Low Halogen - Br, Cl, F, I < 900 ppm per homogenous material. Also BFR/CFR/PVC Free

Solder Process Capability

Wave solder capable to 240°C

Product Compliance Disclaimer

This information is provided based on reasonable inquiry of our suppliers and represents our current actual knowledge based on the information they provided. This information is subject to change. The part numbers that TE has identified as EU RoHS compliant have a maximum concentration of 0.1% by weight in homogenous materials for lead, hexavalent chromium, mercury, PBB, PBDE, DBP, BBP, DEHP, DIBP, and 0.01% for cadmium, or qualify for an exemption to these limits as defined in the Annexes of Directive 2011/65/EU (RoHS2). Finished electrical and electronic equipment products will be CE marked as required by Directive 2011/65/EU. Components may not be CE marked. Additionally, the part numbers that TE has identified as EU ELV compliant have a maximum concentration of 0.1% by weight in homogenous materials for lead, hexavalent chromium, and mercury, and 0.01% for cadmium, or qualify for an exemption to these limits as defined in the Annexes of Directive 2000/53/EC (ELV). Regarding the REACH Regulation, the information TE provides on SVHC in articles for this part number is based on the latest European Chemicals Agency (ECHA) 'Guidance on requirements for substances in articles' posted at this URL: <https://echa.europa.eu/guidance-documents/guidance-on-reach>

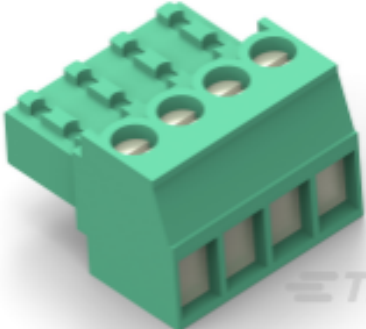
Compatible Parts



TE Part # 1776135-2
2P TERMINAL-BLOCK HDR,HIGH TEMP



TE Part # 1986375-2
Strip Plug, 3.81mm, Green, LH, 2




TE Part # 284507-2
2 POS TERMINAL-BLOCK PLUG STACK 3,8



TE Part # 1986374-2
Strip Plug, 3.81mm, Green, RH, 2



TE Part # 284509-2
2P TERMINAL-BLOCK PLUG STACK 3,8

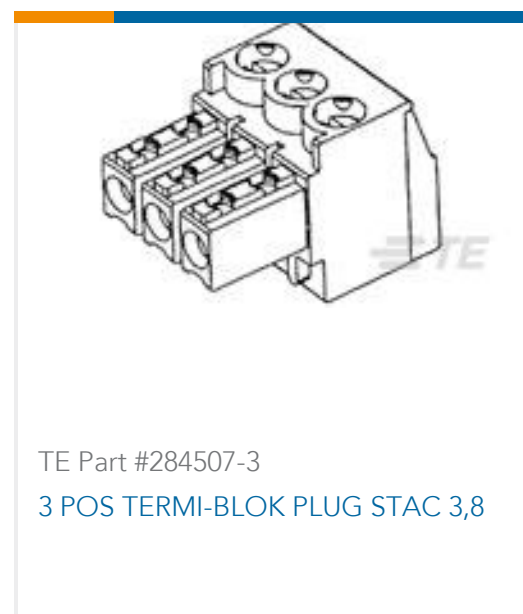


TE Part # 1986343-2
2P HDR CLOSED END,90 DEG,CL 3.81, BLK

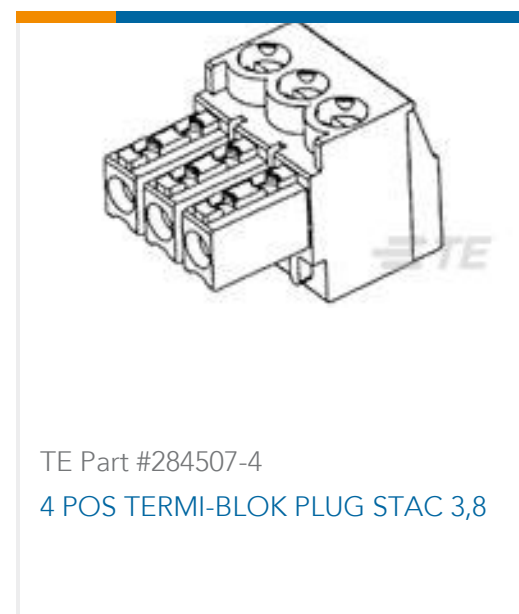
Customers Also Bought



TE Part #1630184-5
YP10 27K 5%



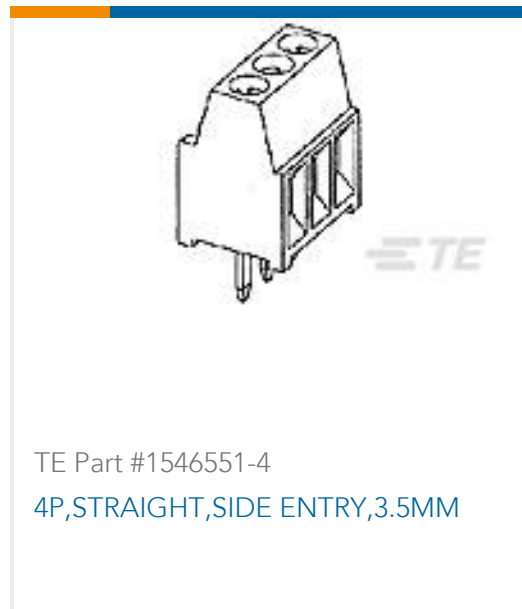
TE Part #284507-3
3 POS TERMI-BLOK PLUG STAC 3,8



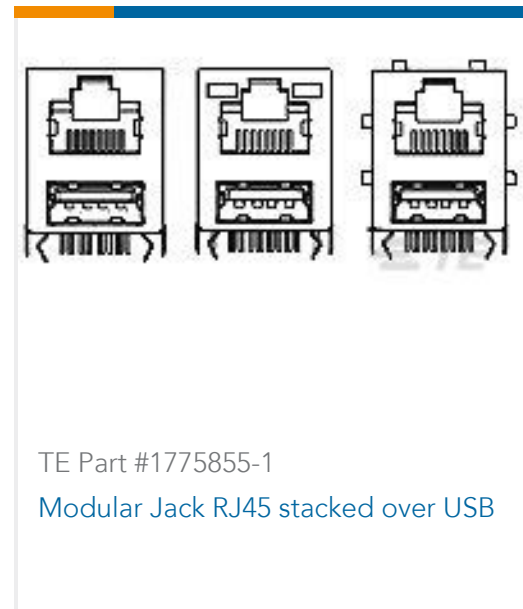
TE Part #284507-4
4 POS TERMI-BLOK PLUG STAC 3,8



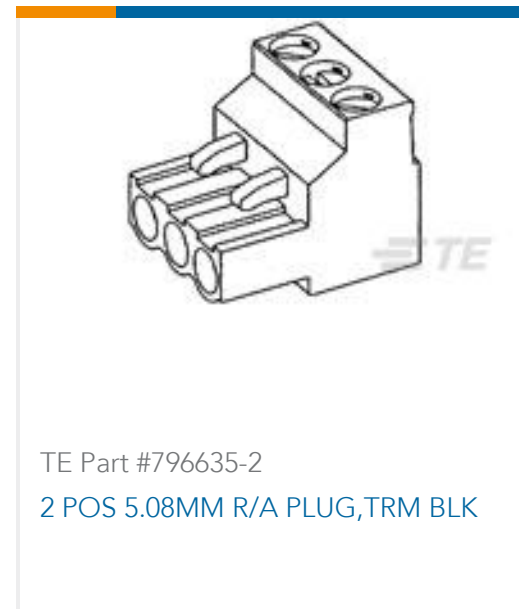
TE Part #1-1318300-2
3.96 EP HDR ASSY 2P NAT/TUBE



TE Part #1546551-4
4P, STRAIGHT, SIDE ENTRY, 3.5MM



TE Part #1775855-1
Modular Jack RJ45 stacked over USB



TE Part #796635-2
2 POS 5.08MM R/A PLUG, TRM BLK



TE Part #9-2176412-6
5W XSM M/OX 5% 47K



TE Part #2176324-7
SMV 3W 330K 5%



TE Part #796638-3
3POS 5.08MM CE R/A HDR, TRM BLK

Documents

CAD Files

Customer View Model

[ENG_CVM_284513-2_C.3d_igs.zip](#)

English

Customer View Model

[ENG_CVM_284513-2_C.3d_stp.zip](#)

English

Customer View Model

[ENG_CVM_284513-2_C.2d_dxf.zip](#)

English

3D PDF

English

By downloading the CAD file I accept and agree to the [Terms and Conditions](#) of use.

Datasheets & Catalog Pages

Eurostyle Terminal Blocks Focus Product Stock List

English

BUCHANAN TERMINAL BLOCKS CATALOG - EUROSTYLE TERMINAL BLOCKS

English



[1-1773458-1_EURO_STYLE_TERMINAL_BLOCKS_QRG](#)

English

[Product Specifications](#)

[Application Specification](#)

English

[Product Environmental Compliance](#)

[TE Material Declaration](#)

English