

284442-1 ACTIVE

AMP | MQS

TE Internal #: 284442-1

Wire-to-Wire, 12 Position, .1 in [2.54 mm] Centerline, Black, Signal,
Cable Mount (Free-Hanging), -22 – 221 °F [-30 – 105 °C], MQS

[View on TE.com >](#)



Connectors > Automotive Connectors > Connector Housings > MQS, CONNECTOR HOUSING



Mating Tab Width: .63 mm [.025 in]

Connector System: **Wire-to-Wire**

Number of Positions: 12

Centerline (Pitch): 2.54 mm [.1 in]

Sealable: **No**

[All MQS, CONNECTOR HOUSING \(557\)](#)

Features

Product Type Features

Connector & Housing Shape	Rectangular
Connector System	Wire-to-Wire
Sealable	No
Hybrid Connector	No
Primary Locking Feature	On the Terminal

Configuration Features

Number of Positions	12
Number of Rows	2

Electrical Characteristics

Operating Voltage	24 VDC
Nominal Voltage Architecture	12 V, 24 V

Body Features

Cable Exit Angle	180°
Body Material	PA GF
Primary Product Color	Black

Contact Features

Contact Size	.63mm
--------------	-------



Mating Tab Width	.63 mm[.025 in]
------------------	-----------------

Mechanical Attachment

Mounting Feature	Without
Terminal Position Assurance	No
Strain Relief	Without
Mating Alignment Type	Polarized
Mating Alignment	With
Connector Mounting Type	Cable Mount (Free-Hanging)

Housing Features

Centerline (Pitch)	2.54 mm[.1 in]
--------------------	----------------

Dimensions

Product Width	6.95 mm[.274 in]
Product Length	19.1 mm[.752 in]
Product Height	16 mm[.63 in]
Row-to-Row Spacing	5 mm[.197 in]

Usage Conditions

Operating Temperature (Max)	70 °C, 75 °C, 80 °C, 85 °C, 90 °C, 100 °C, 105 °C[158 °F][167 °F][176 °F][185 °F][194 °F][212 °F][221 °F]
Operating Temperature Range	-30 – 105 °C[-22 – 221 °F]

Operation/Application

Circuit Application	Signal
---------------------	--------

Packaging Features

Packaging Method	Carton
------------------	--------

Other

Serviceable	No
Connector Position Assurance Capable	No

Product Compliance

[For compliance documentation, visit the product page on TE.com>](#)

EU RoHS Directive 2011/65/EU	Compliant
EU ELV Directive 2000/53/EC	Compliant
China RoHS 2 Directive MIIT Order No 32, 2016	No Restricted Materials Above Threshold



EU REACH Regulation (EC) No. 1907/2006

Current ECHA Candidate List: JUNE 2022 (224)

Candidate List Declared Against: JAN 2022 (223)

SVHC > Threshold:
Not Yet Reviewed

Halogen Content

Low Halogen - Br, Cl, F, I < 900 ppm per homogenous material. Also BFR/CFR/PVC Free

Solder Process Capability

Not applicable for solder process capability

Product Compliance Disclaimer

This information is provided based on reasonable inquiry of our suppliers and represents our current actual knowledge based on the information they provided. This information is subject to change. The part numbers that TE has identified as EU RoHS compliant have a maximum concentration of 0.1% by weight in homogenous materials for lead, hexavalent chromium, mercury, PBB, PBDE, DBP, BBP, DEHP, DIBP, and 0.01% for cadmium, or qualify for an exemption to these limits as defined in the Annexes of Directive 2011/65/EU (RoHS2). Finished electrical and electronic equipment products will be CE marked as required by Directive 2011/65/EU. Components may not be CE marked. Additionally, the part numbers that TE has identified as EU ELV compliant have a maximum concentration of 0.1% by weight in homogenous materials for lead, hexavalent chromium, and mercury, and 0.01% for cadmium, or qualify for an exemption to these limits as defined in the Annexes of Directive 2000/53/EC (ELV). Regarding the REACH Regulation, the information TE provides on SVHC in articles for this part number is based on the latest European Chemicals Agency (ECHA) 'Guidance on requirements for substances in articles' posted at this URL: <https://echa.europa.eu/guidance-documents/guidance-on-reach>

Compatible Parts



TE Part # 284443-4
COVER + LEVER FOR 12 POS M.Q.S



TE Part # 284443-1
COVER + LEVER FOR MQS 12 POS.



TE Part # 284443-5
COVER + LEVER FOR 12 POS MQS



TE Part # 284443-6
COVER + LEVER FOR 12 POS M.Q.S



TE Part # 284443-7
COVER + LEVER FOR 12 POS M.Q.S



TE Part # 284443-2
COVER + LEVER FOR MQS 12 POS.



TE Part # 284443-3
COVER + LEVER FOR MQS 12 POS.

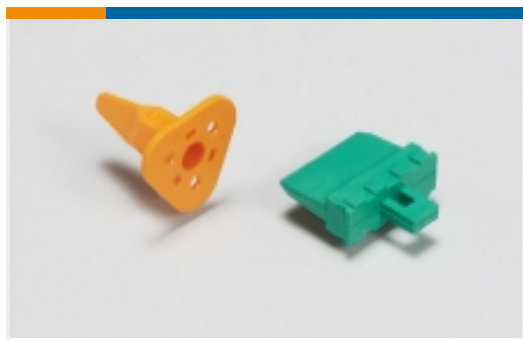
Also in the Series | **MQS**



Automotive Connector Caps & Covers (132)



Automotive Connector EMC Shielding (2)



Automotive Connector Locks & Position Assurance(29)



Automotive Housings(489)



Automotive Seals & Cavity Plugs(26)



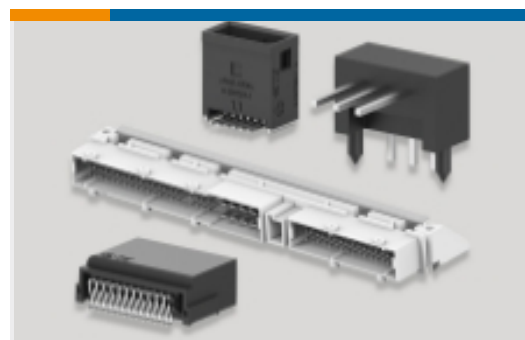
Automotive Terminals(96)



Insertion & Extraction Tools(42)



Other Automotive Connector Accessories(13)



PCB Headers & Receptacles(207)

Customers Also Bought



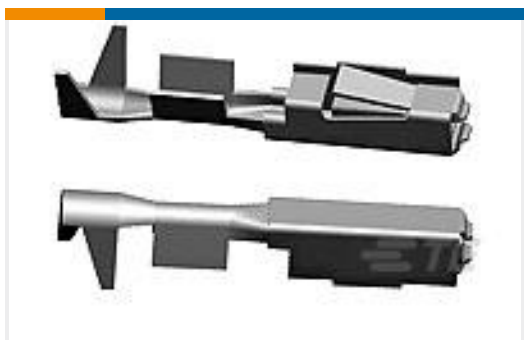
TE Part #1-1670917-1
3POS, MCON 1.2 LL REC SEALED



TE Part #4-1718346-1
MQS, CONNECTOR HOUSING



TE Part #1718562-1
REC. HSG.,4POSN.,RAD.SEAL,AMP MCP2.8K



TE Part #5-962885-5
MQS0,63 Au rec LL EDS 0,2-0,35



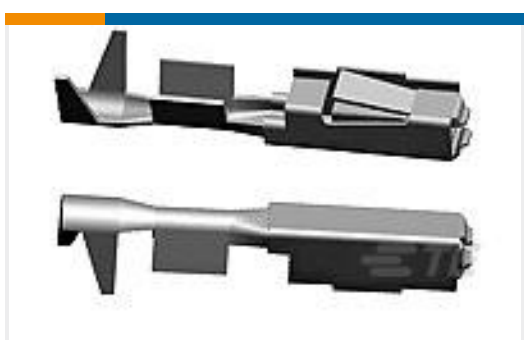
TE Part #1379095-1
COV+LEV MQS 12W 0DEG BROW



TE Part #1379095-3
COV+LEV MQS 12W 0DEG BLAC



TE Part #638394-5
ASSY, 12P PLUG "A" KEY, W/CPA



TE Part #928999-1
MQS0,63 Sn rec LL unseal. >0,2-0,35

Documents



Product Drawings

PLUG FOR MQS 12 POS. COLOUR BL

English

CAD Files

Customer View Model

[ENG_CVM_CVM_284442-1_A.2d_dxf.zip](#)

English

3D PDF

3D

Customer View Model

[ENG_CVM_CVM_284442-1_A.3d_igs.zip](#)

English

Customer View Model

[ENG_CVM_CVM_284442-1_A.3d_stp.zip](#)

English

By downloading the CAD file I accept and agree to the [Terms and Conditions](#) of use.

Datasheets & Catalog Pages

Micro Quadlok Interconnection System (MQS)

English

Product Specifications

12 AND 18 POS. Micro Quadlok System Receptacle Conn.

English

Product Specification

English

Product Environmental Compliance

Product Compliance

English

Product Compliance

English

Instruction Sheets

Recommandations Generales D'Utilisation - 12 Voies MQS

English

Instruction Sheet (non U.S.)

English