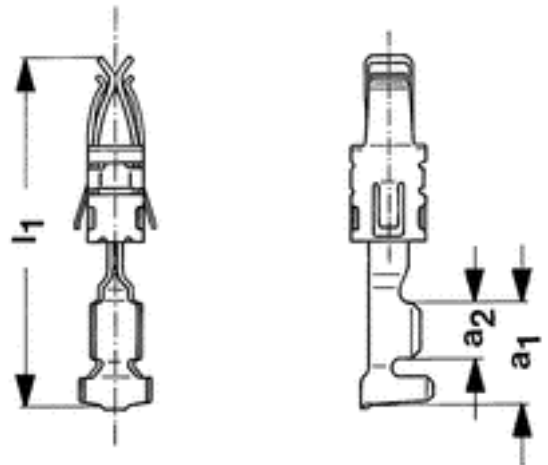




## Characteristics and dimensions of terminals

Part number	26705.201.185
Specification	AFK
Material	CuSn
Surface / Colour	frSn 1
Form	Chain form
Transport	Normal transverse transport
Assembly	X
Packing unit / piece	4000
Section area (mm <sup>2</sup> )	1.50-2.50
Type of lead	FLR
Insulation diameter (mm)	1.9 - 2.9
Tab thickness (mm)	0.80
Tab width (mm)	2.80
Nominal size	2.8x0.8-2.5
Material thickness (mm)	0.32
Steel spring	X
a <sub>1</sub>	5.80
a <sub>2</sub>	3.30
l <sub>1</sub>	18.80



Note: The drawing only gives an overview of the geometry of the part. The crimp area is shown as supplied in strip form. A technical drawing is available on request.

[Contents of your inquiry](#)

Packing Units (per 4000 pieces)

CW