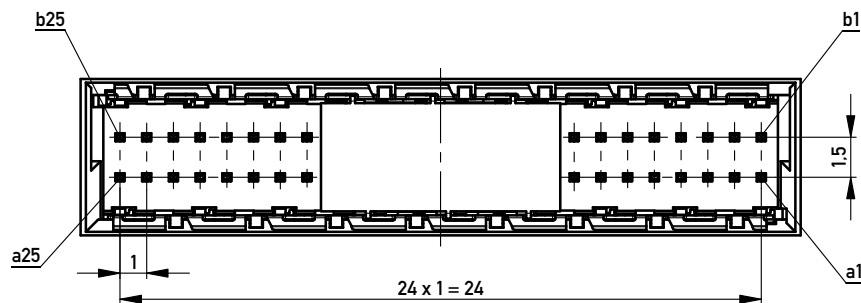
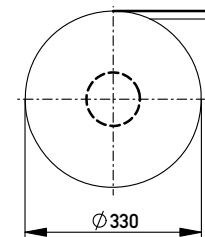
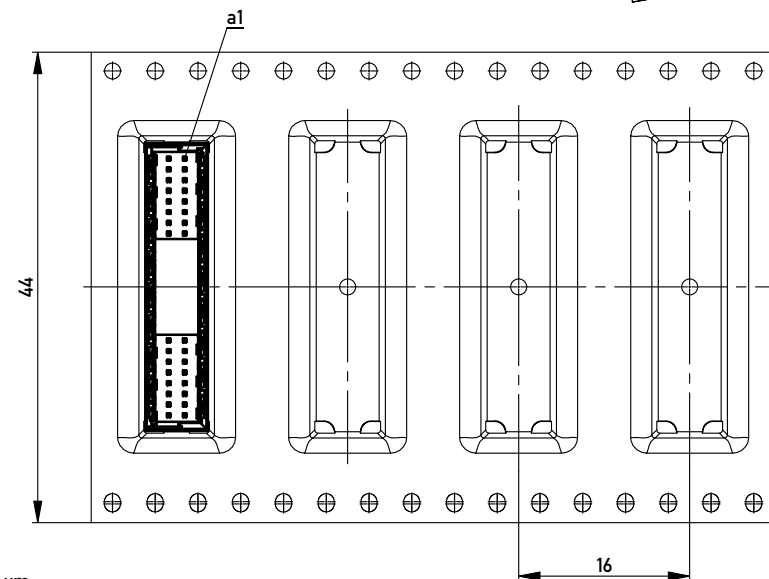


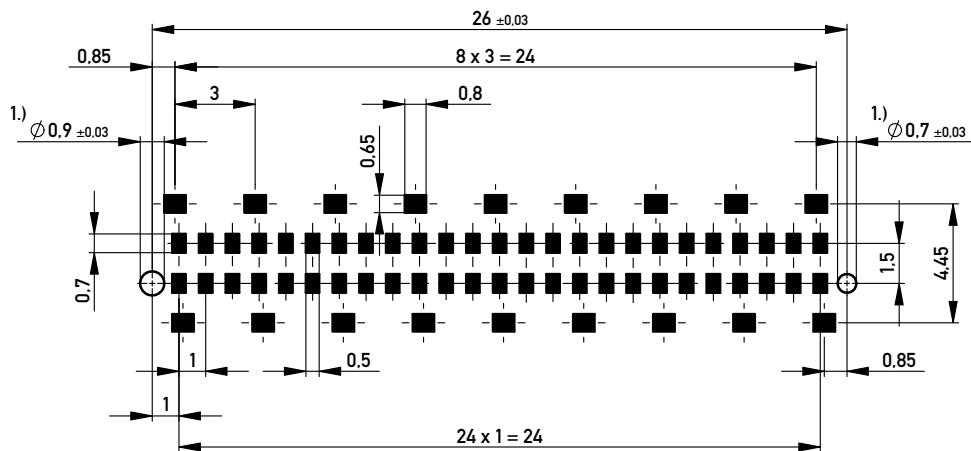
Verpackt im Gurt nach DIN IEC 60286-3
 Tape on Reel Packaging according to DIN IEC 60286-3
 Verpackungseinheit: 400 Stück
 Packaging unit: 400 pcs



Abspulrichtung - Reel off Direction



Leiterplatten-Layout Vorschlag / PCB-Layout proposal



Anforderungsstufe 1
 Performance Level 1

Kontaktbereich vergoldet
 Mating Area gold plating

Anschlussbereich verzinkt 4-6 µm
 Terminal Area 4-6 µm tin plating

Koplanarität der Anschlüsse ≤ 0.1 mm
 Coplanarity Area of Termination ≤ 0.1 mm

1.) Durchmesser des Bohrers / drill tool

Information:	Tolerances	 All Dimensions in mm	Scale	5:1
	All rights reserved. Only for Information. To ensure that this is the latest version of this drawing, please contact one of the ERNI companies before using.		Designation Messerleiste 2mm SMD, 50 polig Male 2mm SMD, 50 contacts	
Subject to modification without prior notice. Drawing will not be updated.		 www.ERNI.com	224557	
i	28.01.2014		Class	MSPEED

Copyright by ERNI GmbH. Proprietary notice pursuant to ISO 9006 to be observed.