

2232111-1 ✓ ACTIVE

FASTON | FASTON 250

TE Internal #: 2232111-1

Quick Disconnects, Receptacle, 20 – 12 AWG Wire Size, .5 – 4 mm<sup>2</sup>

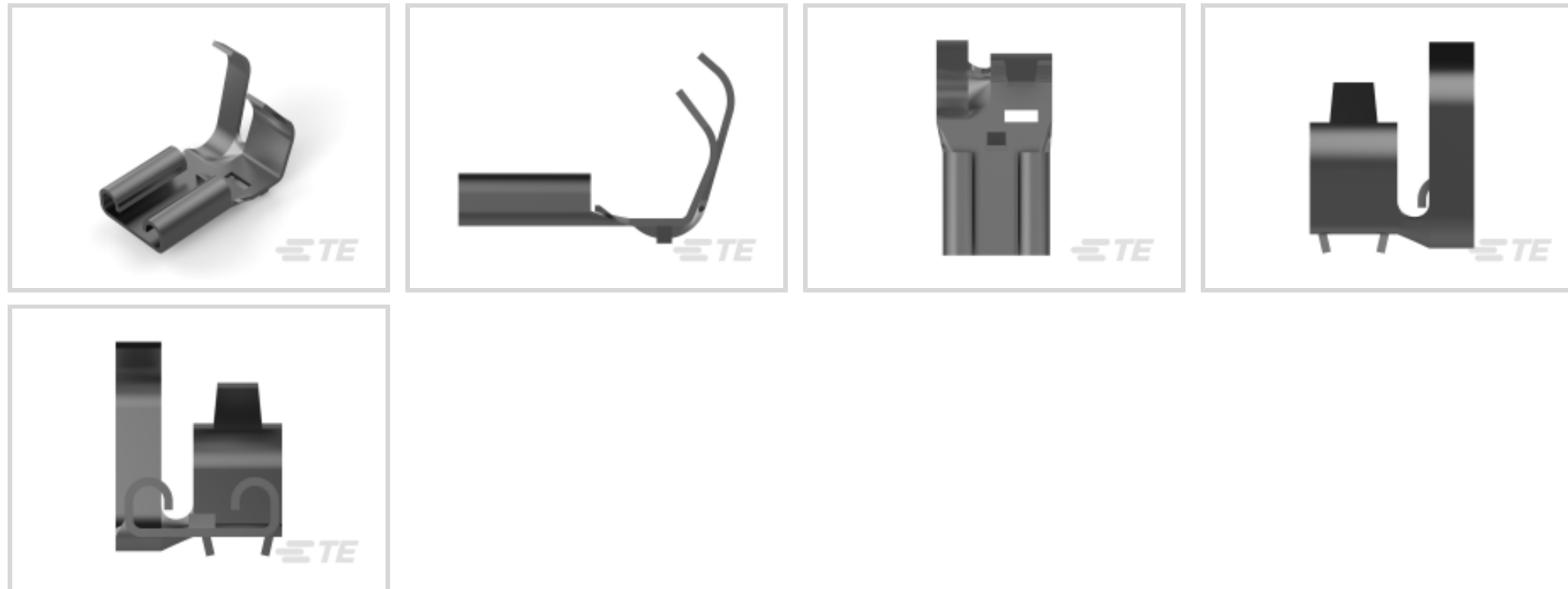
Wire Size, Mating Tab Width .25 in [6.35 mm], Flag, Brass, Tin

Plating, FASTON 250

[View on TE.com >](#)



Terminals & Splices > Quick Disconnects



Quick Disconnect Terminal Type: **Receptacle**

Wire Size: **.5 – 4 mm<sup>2</sup>**

Mating Tab Width: **6.35 mm [ .25 in ]**

Mating Tab Thickness: **.81 mm [ .032 in ]**

## Features

### Product Type Features

Terminates To	Wire & Cable
Wire/Cable Type	Regular Wire
Wire Stop	No
Insertion Force	Normal
Sealable	No

### Configuration Features

Connection Capacity	Single
---------------------	--------

### Contact Features

Quick Disconnect Terminal Type	Receptacle
Mating Tab Width	6.35 mm[.25 in]
Mating Tab Thickness	.81 mm[.032 in]
Terminal Orientation	Flag
Contact Base Material	Brass
Terminal Plating Material	Tin
Crimp Type	Tab-Lok



Barrel Type	Open
-------------	------

### Mechanical Attachment

Mating Retention Type	Dimple
Locking Lance Height	1.02 mm
Wire Insulation Support	With

### Dimensions

Accepts Wire Insulation Diameter Range	2.79 – 5.33 mm [.11 – .21 in]
Receptacle Terminal Stock Thickness	.46 mm [.018 in]
Overall Length	17.02 mm [.67 in]
Wire Size	.5 – 4 mm <sup>2</sup>

### Usage Conditions

Insulation Option	Uninsulated
Operating Temperature Range	-40 – 110 °C [-40 – 230 °F]

### Industry Standards

CSA Certified	Yes
UL Rating	Listed

### Packaging Features

Packaging Quantity	4000
Packaging Method	Strip/Reel

### Other

Line	Premier
------	---------

## Product Compliance

[For compliance documentation, visit the product page on TE.com>](#)

EU RoHS Directive 2011/65/EU	Compliant
EU ELV Directive 2000/53/EC	Compliant
China RoHS 2 Directive MIIT Order No 32, 2016	No Restricted Materials Above Threshold
EU REACH Regulation (EC) No. 1907/2006	Current ECHA Candidate List: JUNE 2022 (224) Candidate List Declared Against: JAN 2022 (223) SVHC > Threshold: Not Yet Reviewed
Halogen Content	Low Halogen - Br, Cl, F, I < 900 ppm per

homogenous material. Also BFR/CFR/PVC Free

Solder Process Capability

Not applicable for solder process capability

Product Compliance Disclaimer

This information is provided based on reasonable inquiry of our suppliers and represents our current actual knowledge based on the information they provided. This information is subject to change. The part numbers that TE has identified as EU RoHS compliant have a maximum concentration of 0.1% by weight in homogenous materials for lead, hexavalent chromium, mercury, PBB, PBDE, DBP, BBP, DEHP, DIBP, and 0.01% for cadmium, or qualify for an exemption to these limits as defined in the Annexes of Directive 2011/65/EU (RoHS2). Finished electrical and electronic equipment products will be CE marked as required by Directive 2011/65/EU. Components may not be CE marked. Additionally, the part numbers that TE has identified as EU ELV compliant have a maximum concentration of 0.1% by weight in homogenous materials for lead, hexavalent chromium, and mercury, and 0.01% for cadmium, or qualify for an exemption to these limits as defined in the Annexes of Directive 2000/53/EC (ELV). Regarding the REACH Regulation, the information TE provides on SVHC in articles for this part number is based on the latest European Chemicals Agency (ECHA) 'Guidance on requirements for substances in articles' posted at this URL: <https://echa.europa.eu/guidance-documents/guidance-on-reach>

## Compatible Parts



TE Part # 63555-2  
 250 FASTON FLAG REC 18-12 AWG  
 TPBR



TE Part # 63137-1  
 250 FASOTN FLAG REC 20-16 AWG  
 TPBZ



TE Part # 60851-1  
 250 FASTON REC 12-10 AWG TPBR



TE Part # 41800  
 250 FASTON FLAG REC 18-12 AWG  
 TPBZ



TE Part # 41802  
 250 FASTON FLAG REC 18-12 AWG  
 TPBR



TE Part # 63651-1  
 250 FASTON FLAG REC 18-12 AWG  
 TPBZ



TE Part # 63647-3  
 250 FASTON FLAG REC 18-14 AWG  
 TPBR



TE Part # 60274-2  
 250 FASTON FLAG REC 18-12 AWG  
 TPBZ



TE Part # 1217027-1  
 187 FASTON,FLAG,REC.,18-14 AWG,  
 TPBR



TE Part # 62021-3  
 250 FASTON FLAG REC 12-10 AWB  
 TPBR



TE Part # 41532  
 250 FASTON FLAG REC 18-12 AWG  
 TPBR



TE Part # 63517-1  
 250 FASTON FLAG REC 18-12 AWG  
 TPBR



TE Part # 2232111-2  
 250 FASTON, FLAG, REC., 12-20 AWG,  
 BR



TE Part # 2232111-3  
 250 FASTON, FLAG, REC., 12-20 AWG,  
 TPBR



TE Part # 63555-1  
 250 FASTON FLAG REC 18-12 AWG  
 BR



TE Part # 687395-5  
 M HBEAPR160T K

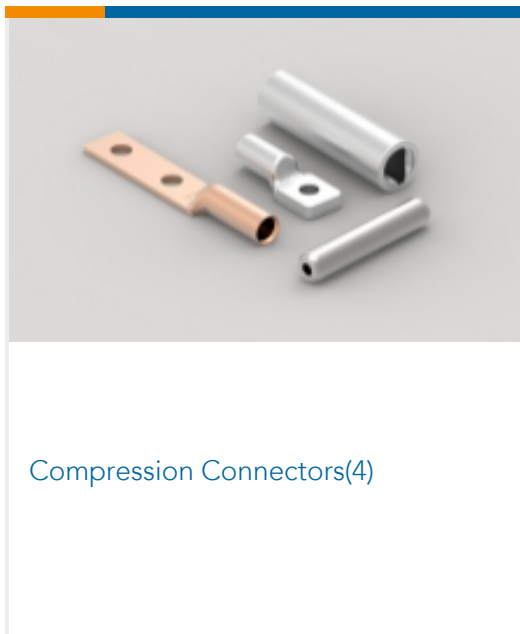


TE Part # 687395-8  
 HINGE BAR 9EAPR160T180O G

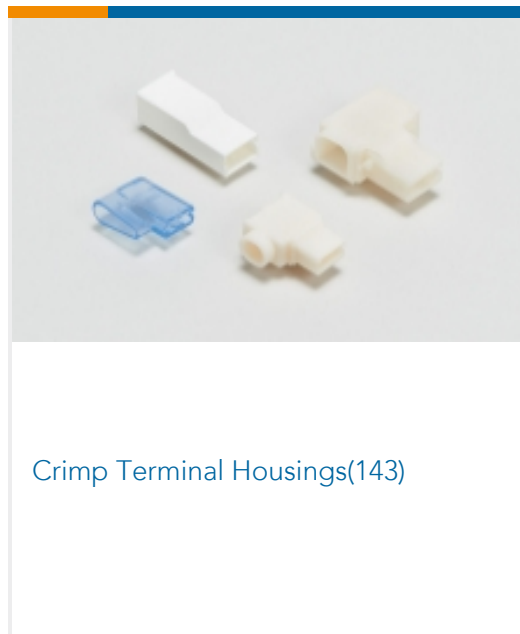


TE Part # 7-1855041-7  
 SPARE PART KIT

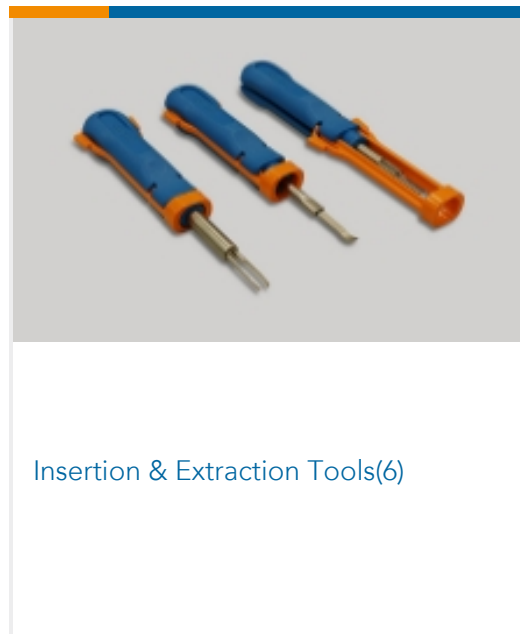
Also in the Series | **FASTON 250**



Compression Connectors(4)



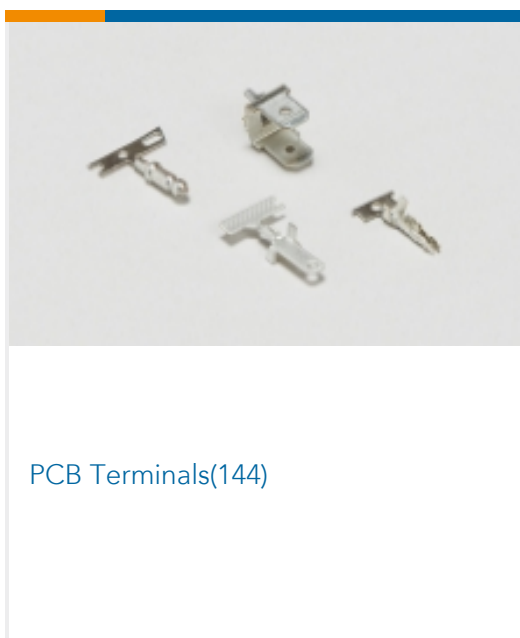
Crimp Terminal Housings(143)



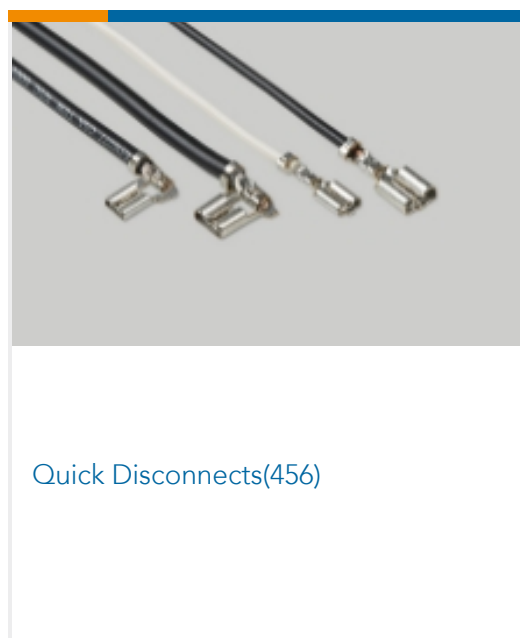
Insertion & Extraction Tools(6)



Magnet Wire Terminals(1)



PCB Terminals(144)



Quick Disconnects(456)



Splices(4)

Customers Also Bought



TE Part #1376395-1  
 5MM POWER KEY D/L PLATE GREEN



TE Part #63688-1  
 250 FASTON REC 18-14 AWG NPST



TE Part #964203-1  
 STD PW TIMER CONTACT



TE Part #737440-2  
 250 FASTON REC 17-14 AWG TPBR



## Documents

### Product Drawings

[250 FASTON,FLAG,REC.,12-20 AWG,TPBR](#)

English

### CAD Files

[3D PDF](#)

3D

Customer View Model

[ENG\\_CVM\\_CVM\\_2232111-1\\_B.2d\\_dxf.zip](#)

English

Customer View Model

[ENG\\_CVM\\_CVM\\_2232111-1\\_B.3d\\_igs.zip](#)

English

Customer View Model

[ENG\\_CVM\\_CVM\\_2232111-1\\_B.3d\\_stp.zip](#)

English

By downloading the CAD file I accept and agree to the [Terms and Conditions](#) of use.

### Product Specifications

[Product Specification](#)

English

### Product Environmental Compliance

[Product Compliance](#)

English

[Product Compliance](#)

English



[Agency Approvals](#)

[Agency Approval Document](#)

English