

**PLEASE CHECK WWW.MOLEX.COM FOR LATEST PART INFORMATION**

**Part Number:** [0022124122](#)  
**Status:** **Active**  
**Overview:** [KK® Interconnect System - Molex](#)  
**Description:** [KK® 254 Wire-to-Board Header, Right Angle, with Friction Lock, 12 Circuits](#)

**Documents:**

[3D Model](#) [Packaging Specification PK-7478-001-000 \(PDF\)](#)  
[Drawing \(PDF\)](#) [RoHS Certificate of Compliance \(PDF\)](#)  
[Product Specification PS-99020-0088-001 \(PDF\)](#)

**Agency Certification**

CSA LR19980  
 UL E29179

**General**

Product Family PCB Headers  
 Series [7395](#)  
 Application Signal, Wire-to-Board  
 Overview [KK® Interconnect System - Molex](#)  
 Product Name KK® 254  
 UPC 800753728431

**Physical**

Breakaway No  
 Circuits (Loaded) 12  
 Circuits (maximum) 12  
 Color - Resin Natural (White)  
 Durability (mating cycles max) 100  
 First Mate / Last Break No  
 Flammability 94V-0  
 Glow-Wire Compliant No  
 Guide to Mating Part No  
 Keying to Mating Part None  
 Lock to Mating Part Yes  
 Material - Metal Brass  
 Material - Plating Mating Gold  
 Material - Plating Termination Tin  
 Material - Resin Nylon  
 Net Weight 1.406/g  
 Number of Rows 1  
 Orientation Right Angle  
 PC Tail Length 3.80mm  
 PCB Locator No  
 PCB Retention None  
 PCB Thickness - Recommended 1.60mm  
 Packaging Type Bag  
 Pitch - Mating Interface 2.54mm  
 Pitch - Termination Interface 2.54mm  
 Plating min - Mating 0.508µm  
 Plating min - Termination 0.508µm  
 Polarized to PCB Yes  
 Shrouded Partial  
 Stackable No  
 Temperature Range - Operating See Product Specification  
 Termination Interface: Style Through Hole

**Electrical**



*Series image - Reference only*

**EU ELV**

**Not Relevant**

**EU RoHS**

**Compliant**

**REACH SVHC**

Not Contained Per -  
 ED/21/2016 (20 June  
 2016)

**Halogen-Free**

**Status**

**Low-Halogen**

**Need more information on product  
 environmental compliance?**

Email [productcompliance@molex.com](mailto:productcompliance@molex.com)  
 Please visit the [Contact Us](#) section for any  
 non-product compliance questions.

China ROHS

ELV

RoHS Phthalates

Green Image

Not Relevant

Not Contained

**Search Parts in this Series**

[7395 Series](#)

**Mates With**

[2695](#) KK® Crimp Terminal Housing, [6471](#)  
 KK® Crimp Terminal Housing, [7720](#) KK®  
 IDT Double Cantilever

Current - Maximum per Contact	4.0A
Voltage - Maximum	250V

**Solder Process Data**

Duration at Max. Process Temperature (seconds)	005
Lead-free Process Capability	WAVE
Max. Cycles at Max. Process Temperature	001
Process Temperature max. C	235

**Material Info**

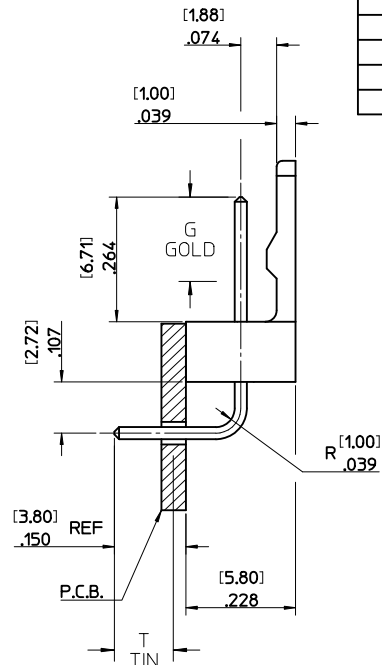
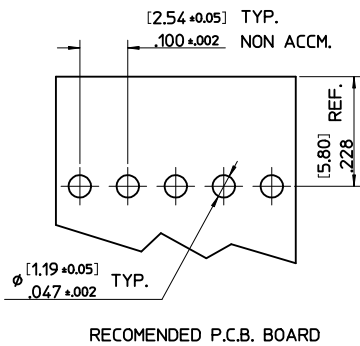
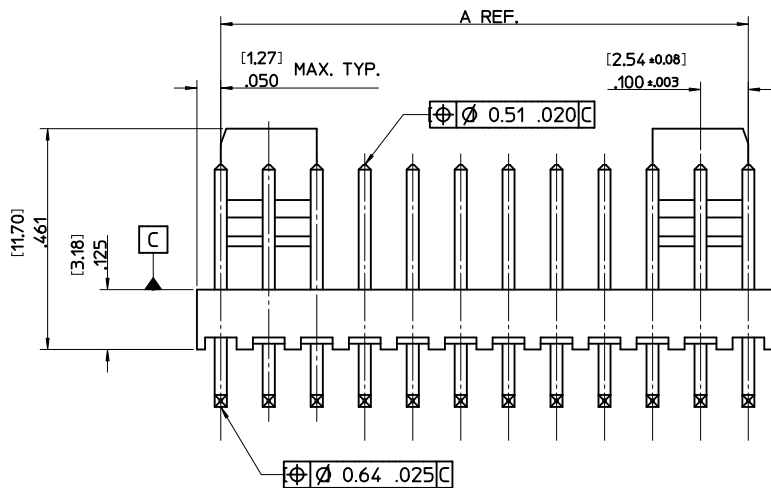
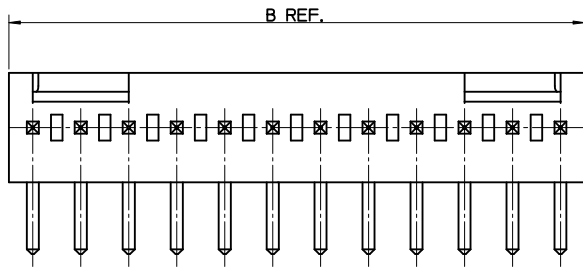
Engineering Number	739512BG
--------------------	----------

**Reference - Drawing Numbers**

Packaging Specification	PK-7478-001-000
Product Specification	PS-99020-0088-001
Sales Drawing	SD-7395-001

This document was generated on 01/16/2017

**PLEASE CHECK [WWW.MOLEX.COM](http://WWW.MOLEX.COM) FOR LATEST PART INFORMATION**



PIN FINISH:  
REFLOWED MATTE TIN:  
0.00152/.000060 MIN OVER  
0.00127/.000050 MIN NICKEL.

PIN FINISH:  
SELECT GOLD:  
0.00051/.000020 MIN  
SELECT MATTE TIN:  
0.00254/.000100 OVER  
0.00127/.000050 MIN NICKEL.

GOLD LOC G N/A  
TIN LOC T OVERALL

GOLD LOC G 4.57/180  
TIN LOC T 3.43/135

ENG. NO. PART NO.

ENG. NO. PART NO.

NO. OF CCTS	DIM. A	DIM. B
2	2.54/100	5.08/200
3	5.08/200	7.62/300
4	7.62/300	10.16/400
5	10.16/400	12.70/500
6	12.70/500	15.24/600
7	15.24/600	17.78/700
8	17.78/700	20.32/800
9	20.32/800	22.86/900
10	22.86/900	25.40/1000
11	25.40/1000	27.94/1100
12	27.94/1100	30.48/1200
13	30.48/1200	33.02/1300
14	33.02/1300	35.56/1400
15	35.56/1400	38.10/1500
16	38.10/1500	40.64/1600

AE-7395-2B	22-05-7028
AE-7395-3B	22-05-7038
AE-7395-4B	22-05-7048
AE-7395-5B	22-05-7058
AE-7395-6B	22-05-7068
AE-7395-7B	22-05-7078
AE-7395-8B	22-05-7088
AE-7395-9B	22-05-7098
AE-7395-10B	22-05-7108
AE-7395-11B	22-05-7118
AE-7395-12B	22-05-7128
AE-7395-13B	22-05-7138
AE-7395-14B	22-05-7148
AE-7395-15B	22-05-7158
AE-7395-16B	22-05-7168

AE-7395-2BG	22-12-4022
AE-7395-3BG	22-12-4032
AE-7395-4BG	22-12-4042
AE-7395-5BG	22-12-4052
AE-7395-6BG	22-12-4062
AE-7395-7BG	22-12-4072
AE-7395-8BG	22-12-4082
AE-7395-9BG	22-12-4092
AE-7395-10BG	22-12-4102
AE-7395-11BG	22-12-4112
AE-7395-12BG	22-12-4122
AE-7395-13BG	22-12-4132
AE-7395-14BG	22-12-4142
AE-7395-15BG	22-12-4152
AE-7395-16BG	22-12-4162

NOTES:-

- MATERIALS:  
WAFER: NYLON 6/6, UL 94, V-0, NATURAL COLOUR  
PIN: [0.64]/0.25 BRASS
- FINISH: SEE CHART
- PRODUCT SPECIFICATION: PS-99020-0088
- PACKAGING SPECIFICATION: PK-7478-001
- WAFERS STACKABLE END TO END
- PIN SOLDERABILITY PER MOLEX SPECIFICATION SMES-152
- WAFER PUSH OUT FORCE [0.907 KG]/2.0 LBS MIN.
- PARTS TO BE FLAT WITHIN 0.005 mm/mm or .005 IN/IN
- THIS PART CONFORMS TO CLASS B REQUIREMENTS OF COSMETIC SPECIFICATION PS-45499-002.

AE-7395-N B

NO. OF CCTS. \_\_\_\_\_  
 WAFER ASSY. OPTION \_\_\_\_\_  
 PLATING TYPE  
 BLANK: TIN  
 G: SELECT GOLD

CHANGE PLATING  
 EC NO: UCP2012-1821  
 DRWN:WSTROH 2011/12/22  
 CHKD:MKIPPER 2012/01/03  
 APPR:FSMITH 2012/02/02

QUALITY SYMBOLS  
 GENERAL TOLERANCES (UNLESS SPECIFIED)  
 mm INCH  
 4 PLACES ± --- + ---  
 3 PLACES ± --- ± .010  
 2 PLACES ± 0.25 ± .015  
 1 PLACE ± 0.38 ± ---  
 ANGULAR ± 2 °  
 DRAFT WHERE APPLICABLE  
 MUST REMAIN  
 WITHIN DIMENSIONS

DIMENSION STYLE  
 MM/IN  
 DRAWN BY DATE  
 JDENNEHY 2005/05/13  
 CHECKED BY DATE  
 GMCWEENEY 2005/05/27  
 APPROVED BY DATE  
 JDENNEHY 2005/05/27  
 MATERIAL NO.  
 SEE CHART  
 SIZE C

SCALE 5:1  
 DESIGN UNITS METRIC  
 THIRD ANGLE PROJECTION  
 TITLE  
 WAFER, R/A FRICTION LOCK  
 (2.54)/.100 CENTERS  
 (0.64)/.025 SQ. PIN  
 MOLEX MOLEX INCORPORATED  
 DOCUMENT NO. SD-7395-001  
 SHEET NO. 1 OF 1