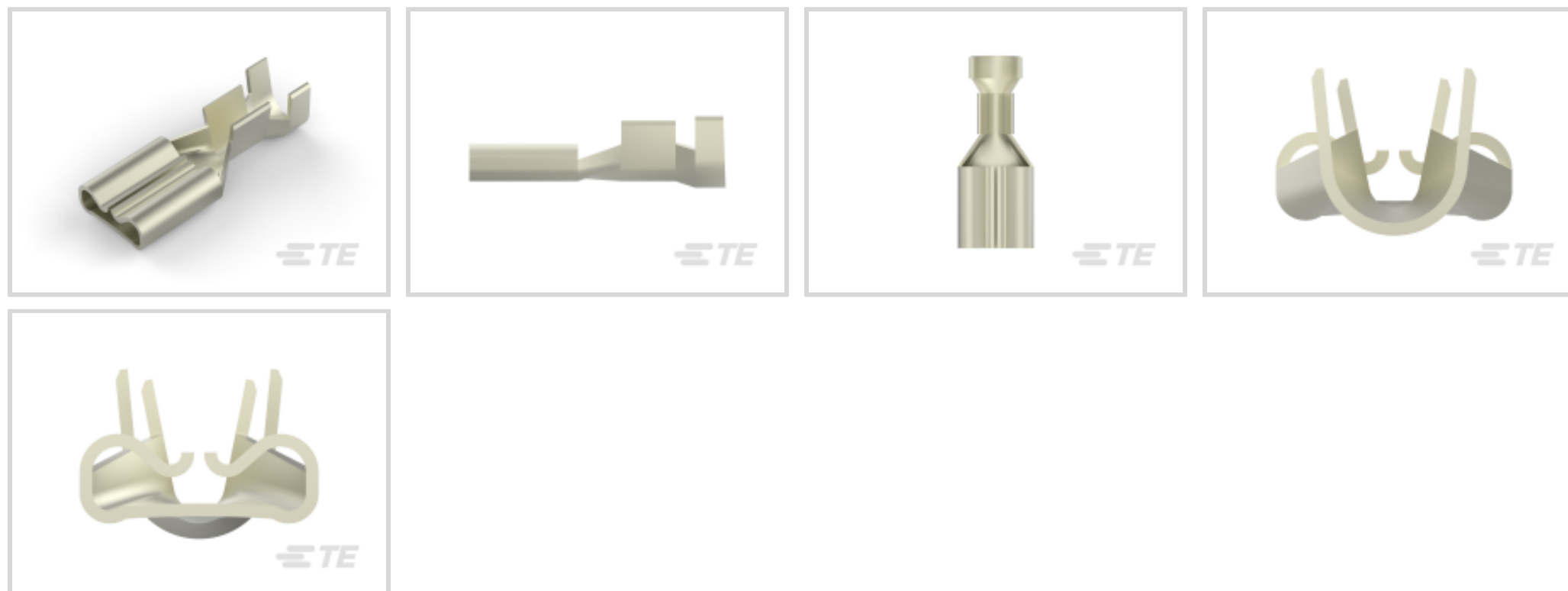




Terminals & Splices > Quick Disconnects



Quick Disconnect Terminal Type: **Receptacle**

Wire Size: **1600 – 3200 CMA**

Mating Tab Width: **4.75 mm [.187 in]**

Features

Product Type Features

Terminates To	Wire & Cable
Wire Stop	No
Wire/Cable Type	Regular Wire
Insertion Force	Low
Sealable	No

Configuration Features

Connection Capacity	Single
---------------------	--------

Contact Features

Quick Disconnect Terminal Type	Receptacle
Mating Tab Width	4.75 mm [.187 in]
Mating Tab Thickness	.81 mm [.032 in]
Terminal Orientation	Straight
Contact Base Material	Brass
Terminal Plating Material	Tin
Crimp Type	F-Crimp
Barrel Type	Open



Mechanical Attachment

Mating Retention Type	Dimple
Wire Insulation Support	With

Dimensions

Accepts Wire Insulation Diameter Range	2.67 – 5.33 mm [.105 – .21 in]
Overall Length	15 mm [.59 in]
Receptacle Terminal Stock Thickness	.3 mm [.012 in]
Wire Size	1600 – 3200 CMA

Usage Conditions

Insulation Option	Uninsulated
Operating Temperature Range	-40 – 125 °C [-40 – 257 °F]

Packaging Features

Packaging Quantity	18000
Packaging Method	Strip/Reel

Other

Line	FASTON .187
------	-------------

Product Compliance

[For compliance documentation, visit the product page on TE.com>](#)

EU RoHS Directive 2011/65/EU	Compliant
EU ELV Directive 2000/53/EC	Compliant
China RoHS 2 Directive MIIT Order No 32, 2016	No Restricted Materials Above Threshold
EU REACH Regulation (EC) No. 1907/2006	Current ECHA Candidate List: JUNE 2022 (224) Candidate List Declared Against: JAN 2022 (223) SVHC > Threshold: Not Yet Reviewed
Halogen Content	Low Halogen - Br, Cl, F, I < 900 ppm per homogenous material. Also BFR/CFR/PVC Free
Solder Process Capability	Not reviewed for solder process capability

Product Compliance Disclaimer

This information is provided based on reasonable inquiry of our suppliers and represents our current actual knowledge based on the information they provided. This information is subject to change. The part numbers that TE has identified as



EU RoHS compliant have a maximum concentration of 0.1% by weight in homogenous materials for lead, hexavalent chromium, mercury, PBB, PBDE, DBP, BBP, DEHP, DIBP, and 0.01% for cadmium, or qualify for an exemption to these limits as defined in the Annexes of Directive 2011/65/EU (RoHS2). Finished electrical and electronic equipment products will be CE marked as required by Directive 2011/65/EU. Components may not be CE marked. Additionally, the part numbers that TE has identified as EU ELV compliant have a maximum concentration of 0.1% by weight in homogenous materials for lead, hexavalent chromium, and mercury, and 0.01% for cadmium, or qualify for an exemption to these limits as defined in the Annexes of Directive 2000/53/EC (ELV). Regarding the REACH Regulation, the information TE provides on SVHC in articles for this part number is based on the latest European Chemicals Agency (ECHA) 'Guidance on requirements for substances in articles' posted at this URL: <https://echa.europa.eu/guidance-documents/guidance-on-reach>

Compatible Parts

TE Part # 1-480435-0
FASTON 187 REC HSG NYLON NAT

TE Part # 2-2150055-1
OCEAN_2.0_Applicator-E-100F210F

TE Part # 2-2150055-2
OCEAN_2.0_Applicator-E-100F210F

TE Part # 2150055-1
OCEAN_2.0_Applicator-E-100F210F

TE Part # 2150055-2
OCEAN_2.0_Applicator-E-100F210F

TE Part # 480435-2
187 FASTON HSG. REC 1P BLACK

TE Part # 7-2150055-1
OCEAN_2.0_Applicator-E-100F210F

TE Part # 7-2150055-2
OCEAN_2.0_Applicator-E-100F210F

KIT
REPRESENTATION ONLY

TE Part # 7-2150055-7
OCEAN_2.0_SPARE_PART_KIT-100F210F

Also in the Series | FASTON 187

Crimp Terminal Housings(41)

Insertion & Extraction Tools(1)

Joints & Splices(1)

PCB Terminals(48)

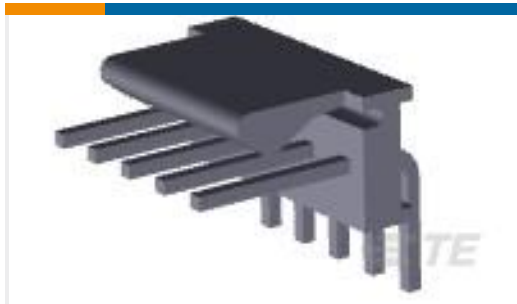
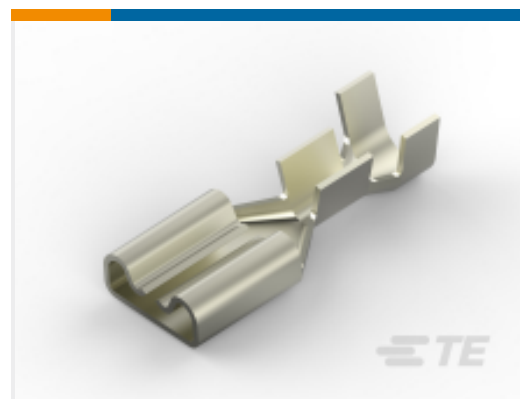
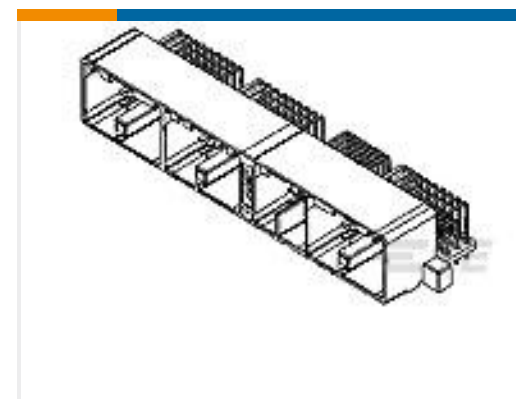


Quick Disconnects(214)



Splices(1)

Customers Also Bought

TE Part #640457-5
05P MTA100 HDR ASSY SQ R/A F/LTE Part #640456-8
Polyester Vertical PCB Header: 2.54 mm, Unshrouded, No Mating AlignmentTE Part #62228-1
187 FASTON REC 20-16 TPBRTE Part #61988-1
250 FASTON REC 22-18 AWG BRTE Part #2238173-3
250 FASTON, REC., 22-12 AWG, TPBRTE Part #2238196-3
250 FASTON, REC., 18-14 AWG, TPBRTE Part #2238200-3
187 FASTON, FLAG, REC., 20-16 AWG, PTBRTE Part #179686-6
040/070-2 HD HYB CAP ASSY 104P PTBR

Documents

Product Drawings

187 FASTON, REC., 18-16 OR 2X18 AWG, PTBR

English

CAD Files

3D PDF

3D

Customer View Model

[ENG_CVM_CVM_2238199-3_B.2d_dxf.zip](#)

English

Customer View Model

[ENG_CVM_CVM_2238199-3_B.3d_igs.zip](#)

English

Customer View Model

[ENG_CVM_CVM_2238199-3_B.3d_stp.zip](#)

English

By downloading the CAD file I accept and agree to the [Terms and Conditions](#) of use.



Datasheets & Catalog Pages

[1-1773948-2 Standard Line FASTON Receptacles QRG](#)

English

Product Specifications

[Product Specification](#)

English

Product Environmental Compliance

[Product Compliance](#)

English

[Product Compliance](#)

English