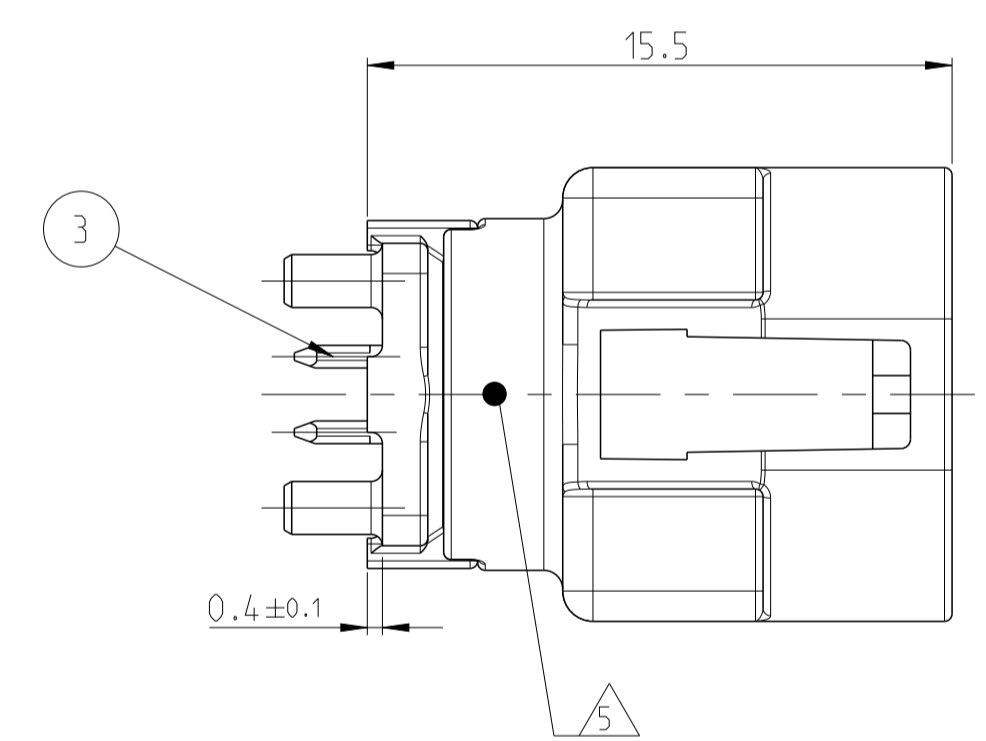
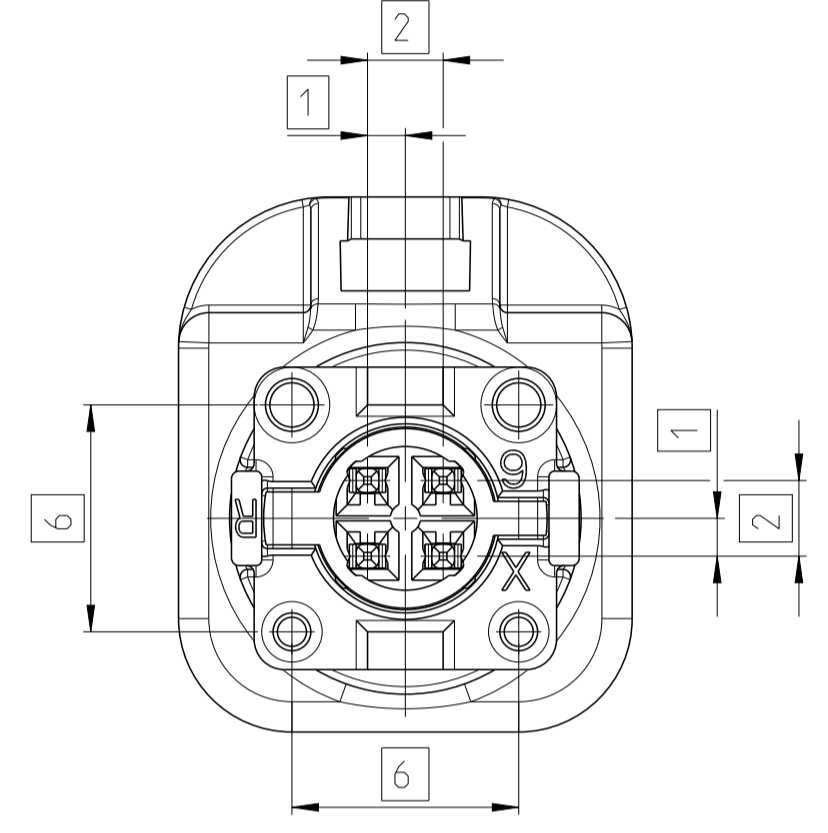
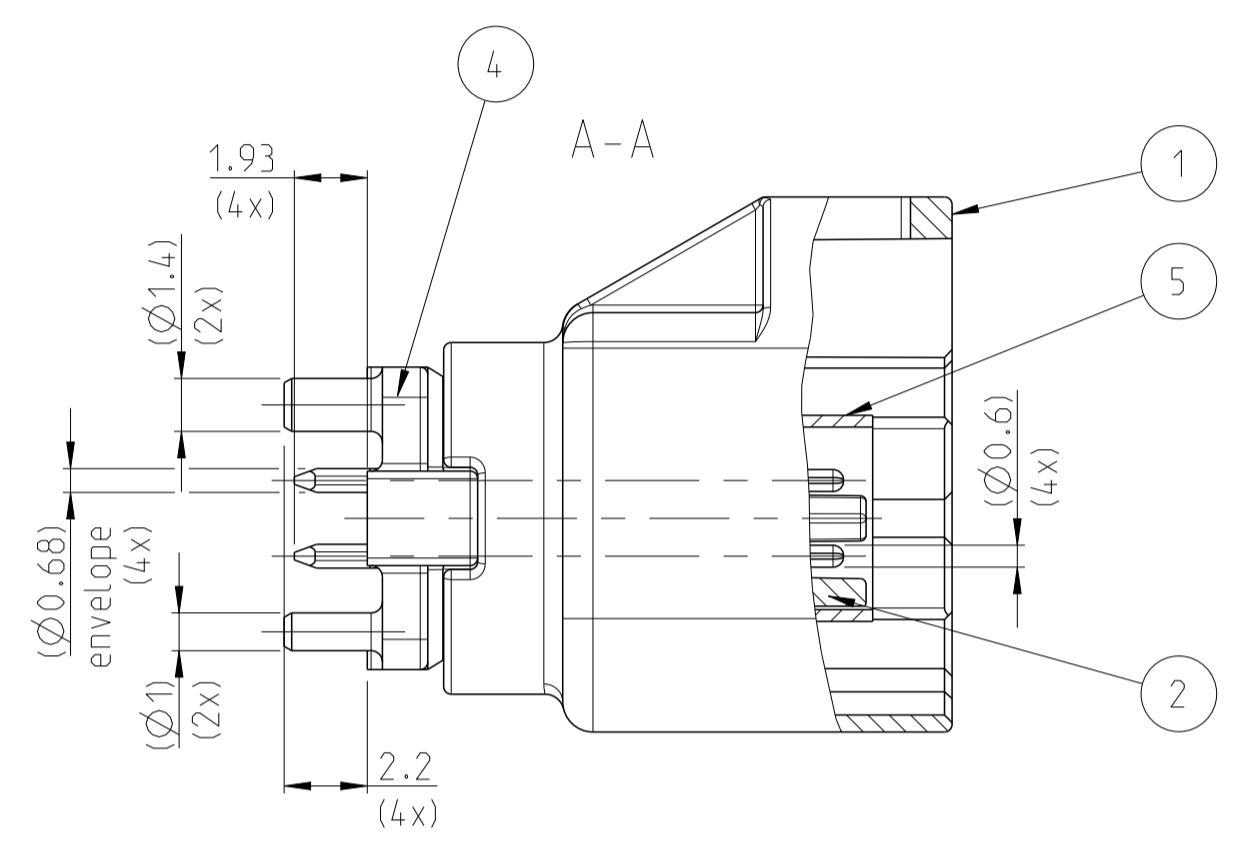
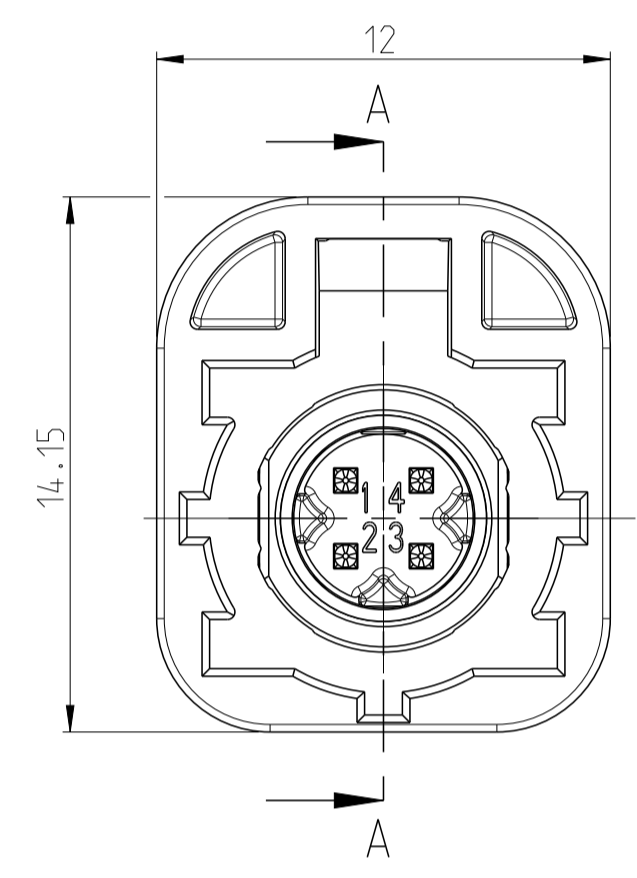


LOC	DIST	REVISIONS					
		P	LTN	DESCRIPTION	DATE	DWN	APVD
		A6		E-15-000302	15 JUL 2015	AL	MR
		C		E-17-004153	03 MAY 2017	AW	MR
		C1		E-17-012256	23 AUG 2017	AW	MR
		D		E-18-008883	11 JUN 2018	MW	MR

CODINGS 2:1							SIDE VIEW
CODE A	CODE B	CODE C	CODE D	CODE E	CODE F	CODE Z	
CODE G	CODE H	CODE J	CODE K	CODE L	CODE M	CODE O	



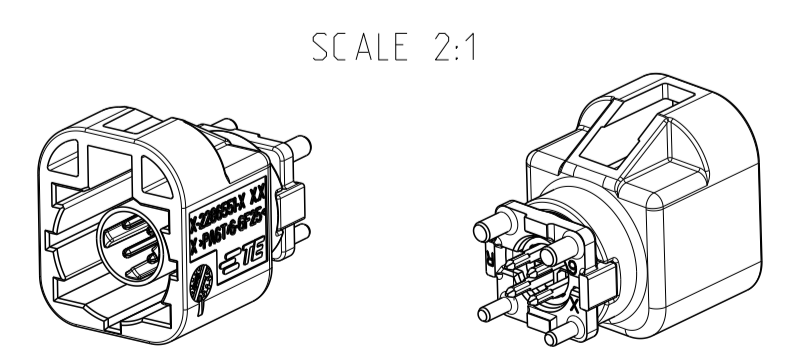
NOTES  
 Bemerkung

- ONLY THE GERMAN LANGUAGE SHALL BE BINDING  
 Massgebend ist der deutsche Text
- DETAILS OF DESIGN ARE LEFT TO TE CONNECTIVITY  
 Einzelheiten der Ausfuehrung bleiben TE CONNECTIVITY ueberlassen
- HSD INTERFACE ACC. TO TE SPEC. 114-18950  
 HSD Schnittstelle nach TE-Spez. 114-18950
- PACKAGING TAPE AND REEL  
 Verpackung Blistergurt
- MARKING OF 100% TEST PASSED  
 Gutteilmarkierung nach bestandener 100% Pruefung
- FOR FITTING HSD CONNECTOR PLEASE CONTACT TE CONNECTIVITY.  
 Fuer passenden Gegenstecker bitte TE Connectivity kontaktieren.
- ALL DIMENSIONS IN BRACKETS ( ) FOR INFORMATION ONLY  
 Alle Masse in Klammern ( ) nur zur Information
- PCB LAYOUT ACCORDING TO TE SPEC. 114-94381  
 Platinenlayout nach TE-Spez. 114-94381

WEIGHT [g]: 2.73  
 Gewicht [g]: 2.73

AS SHOWN /  
 wie gezeigt Codierung Z

QTY	CODE	DESCRIPTION	MATERIAL	FINISH COLOUR, SIMILAR RAL	ITEM NO
1		SHIELDING TUBE Schirmrohr	Cu-DHP	INTERFACE SIDE: NICKEL PLATING MIN. 3-6 µm Steckseite: Vernickelung min. 3-6 µm	5
1		SCHIELDING BODY Schirmgehäuse	ZnAl4Cu1	SOLDER SIDE: TIN PLATING Lotseite: Verzinnung	4
4		CONTACT PIN Kontaktpin	CuSn4	SOLDER SIDE: TIN PLATING MIN 3µm Lotseite: Verzinnung min. 3µm INTERFACE SIDE: GOLD PLATING Steckseite: Vergoldet	3
1		CAVITY BLOCK Kontakttraeger	PA4T-GF30 or alternative	BLACK	2
				CODING COVER Kodierkappe	1
				PA6T/6-GF25	
				LIGHT GREEN. 6027	
				PASTEL ORANGE. 2003	
				YELLOW GREEN. 6018	
				CURRY. 1027	
				BEIGE. 1001	
				HEATHER VIOLET. 4003	
				BLuish GREY. 7031	
				WATER BLUE. 5021	
				NUT BROWN. 8011	
				LEAF GREEN. 6002	
				CLARET VIOLET. 4004	
				SIGNAL BLUE. 5005	
				CREAM WHITE. 9001	
				JET BLACK. 9005	



THIS DRAWING IS A CONTROLLED DOCUMENT.

DIMENSIONS: mm

TOLERANCES UNLESS OTHERWISE SPECIFIED:

0 PLC	±0.3
1 PLC	±0.3
2 PLC	±0.3
3 PLC	±0.3
4 PLC	±0.3
ANGLES	±0.5
FINISH	±0.1

MATERIAL: - FINISH: -

Customer Drawing

APPROVED: A. Weiss, M. Reinhardt, M. Reinhardt

DATE: 14 JUL 2014, 14 JUL 2014, 14 JUL 2014

NAME: 4 POS. HSD 180 HEADER ASSY, 4 Pol. HSD 180 Stifteleiste Assy

PRODUCT SPEC: 108-94479

APPLICATION SPEC: 114-94381

SIZE: A1 CAGE CODE: 00779 DRAWING NO: 2286547

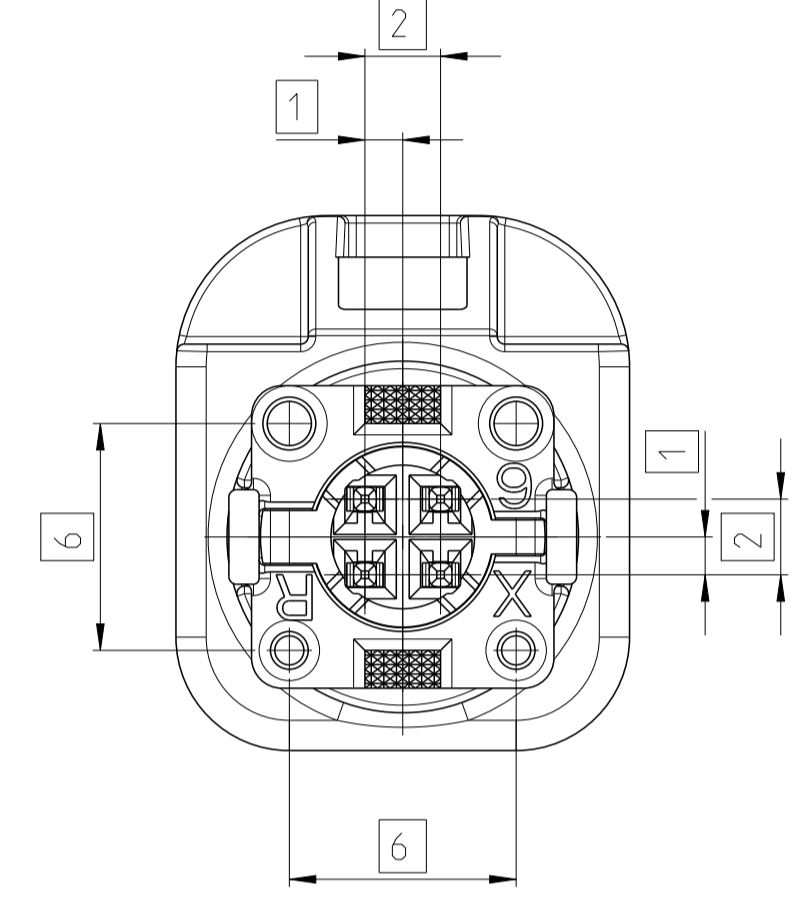
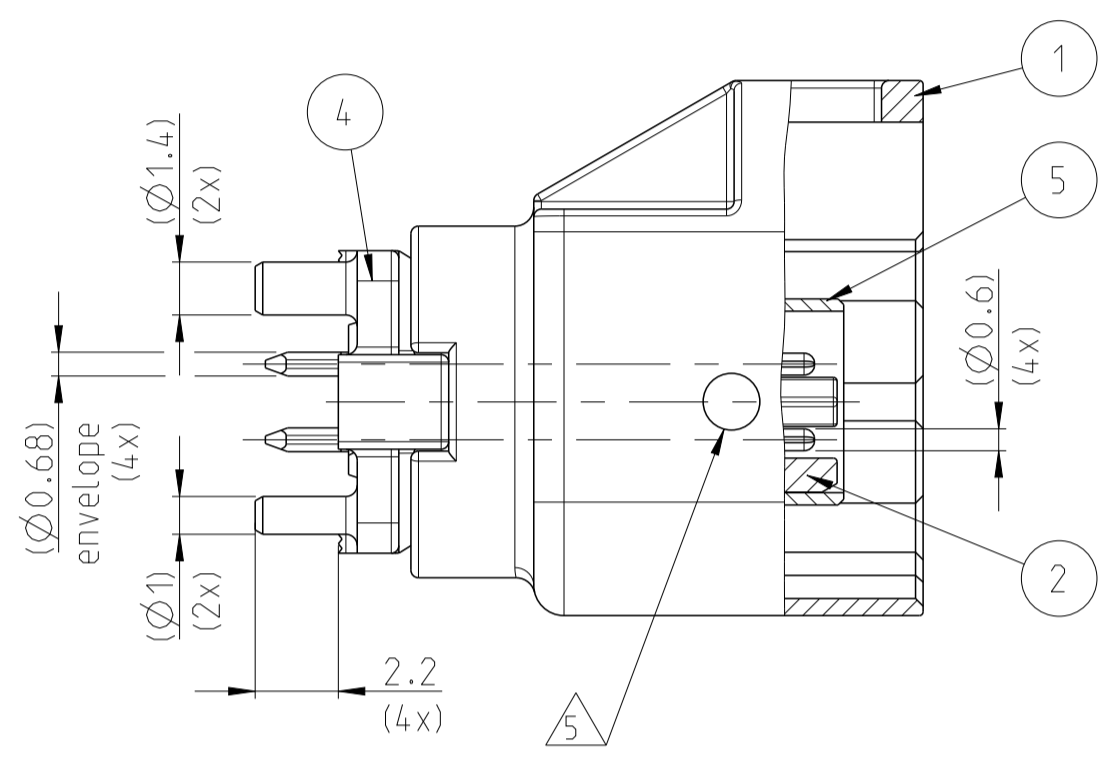
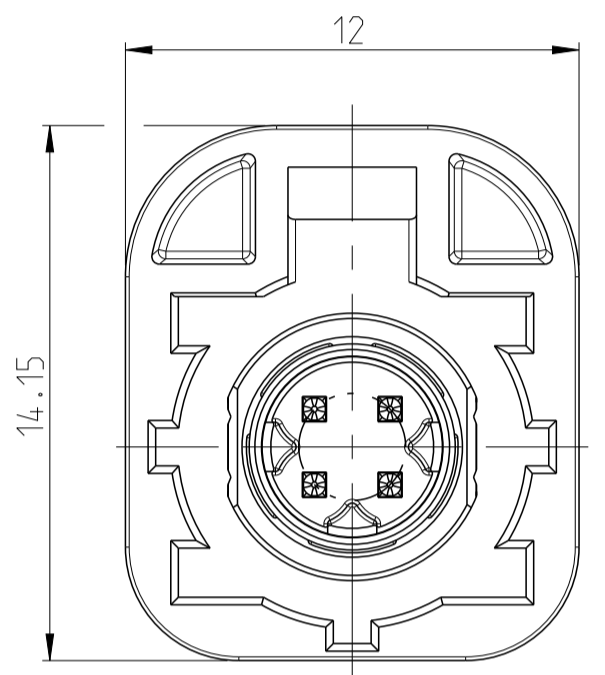
RESTRICTED TO: -

SCALE: 5:1 SHEET: 1 OF 2 REV: D

LOC	DIST	REVISIONS			
P	LTN	DESCRIPTION	DATE	DMN	APVD
		SEE SHEET 1			

CODINGS 2:1

CODE A	CODE B	CODE C	CODE D	CODE E	CODE F	CODE Z
CODE G	CODE H	CODE J	CODE K	CODE L	CODE M	CODE O

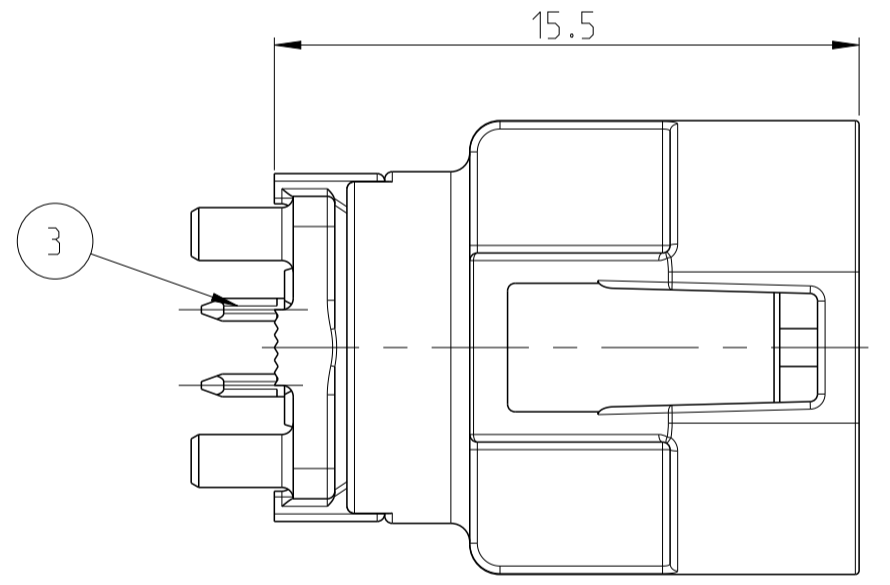


NOTES  
 Bemerkung

- ONLY THE GERMAN LANGUAGE SHALL BE BINDING  
 Massgebend ist der deutsche Text
- DETAILS OF DESIGN ARE LEFT TO TE CONNECTIVITY  
 Einzelheiten der Ausfuehrung bleiben TE CONNECTIVITY ueberlassen
- HSD INTERFACE ACC. TO TE SPEC. 114-18950  
 HSD Schnittstelle nach TE-Spez. 114-18950
- PACKAGING TAPE AND REEL  
 Verpackung Blistergurt
- MARKING OF 100% TEST PASSED  
 Gutteilmarkierung nach bestandener 100% Pruefung
- FOR FITTING HSD CONNECTOR PLEASE CONTACT TE CONNECTIVITY.  
 Fuer passenden gegenstecker bitte TE Connectivity kontaktieren
- ALL DIMENSIONS IN BRACKETS () FOR INFORMATION ONLY  
 Alle Masse in Klammern () nur zur Information
- PCB LAYOUT ACCORDING TO TE SPEC. 114-94319  
 Platinenlayout nach TE-Spez. 114-94319

WEIGHT [g]: 2.78  
 Gewicht [g]: 2.78

AS SHOWN /  
 wie gezeigt Codierung Z



**B-SAMPLES**

SCALE 2:1



QTY	CODE	DESCRIPTION	MATERIAL	FINISH COLOUR, SIMILAR RAL	ITEM NO											
1		SHIELDING TUBE Schirmrohr	CuSn4	INTERFACE SIDE: NICKEL PLATING MIN. 3-6 µm Steckseite: Vernickelung min. 3-6 µm	5											
1		SCHIELDING BODY Schirmgehäuse	ZnAl4Cu1	SOLDER SIDE: TIN PLATING Lotseite: Verzinnung	4											
4		CONTACT PIN Kontaktpin	CuSn4	SOLDER SIDE: TIN PLATING MIN 3µm Lotseite: Verzinnung min. 3µm INTERFACE SIDE: GOLD PLATING Steckseite: Vergoldet	3											
1		CAVITY BLOCK Kontakttraeger	LCP or alternative	BLACK	2											
				LIGHT GREEN. 6027	1											
				PASTEL ORANGE. 2003												
				YELLOW GREEN. 6018												
				CURRY. 1027												
				BEIGE. 1001												
				HEATHER VIOLET. 4003												
				BLuish GREY. 7031												
				WATER BLUE. 5021												
				NUT BROWN. 8011												
				LEAF GREEN. 6002												
				CLARET VIOLET. 4004												
				SIGNAL BLUE. 5005												
				CREAM WHITE. 9001												
				JET BLACK. 9005												
		QUANTITY	CODE	DESCRIPTION	MATERIAL	FINISH COLOUR, SIMILAR RAL	ITEM NO									
8-1	8-2	8-3	8-4	8-5	8-6	8-9	9-1	9-2	9-3	9-4	9-5	9-6	9-9	ASSY NO. X-2286547-Y		
A	B	C	D	E	F	Z	G	H	J	K	L	M	O	ASSY CODE		
C	C	C	C	C	C	C	C	C	C	C	C	C	C	REVISION		

THIS DRAWING IS A CONTROLLED DOCUMENT.

DIMENSIONS:	TOLERANCES UNLESS OTHERWISE SPECIFIED:	DMN A. Weiss 14 JUL 2014	TE Connectivity NAME: 4 POS. HSD 180 HEADER ASSY 4 Pol. HSD 180 Stiftleiste Assy PRODUCT SPEC: 108-94447 APPLICATION SPEC: 114-94319 WEIGHT: - Customer Drawing
mm	0 PLC ±0.5 1 PLC ±0.5 2 PLC ±0.5 3 PLC ±0.5 4 PLC ±0.5 ANGLES ±0.5	CHK M. Reinhardt 14 JUL 2014	
		APVD M. Reinhardt 14 JUL 2014	
MATERIAL: -	FINISH: -	SIZE: A1 CAGE CODE: 00779 DRAWING NO: 2286547 RESTRICTED TO: -	

SCALE 5:1 SHEET 2 OF 2 REV D